

REV	ECO	DESCRIPTION	DATE	CHKD	APP
A	→	RELEASE	BAP 8-86	CK	
B		SHT 13 of 15	BAP 2-87		
C		SHTS 6 & 8	BAP 7-87		

*Not Duplicate*

JUL 3 1 1987

▲ DIODES ON SHEET 3 ARE NOT ON PCB ASSEMBLY.

NOTES:

# LPC-3

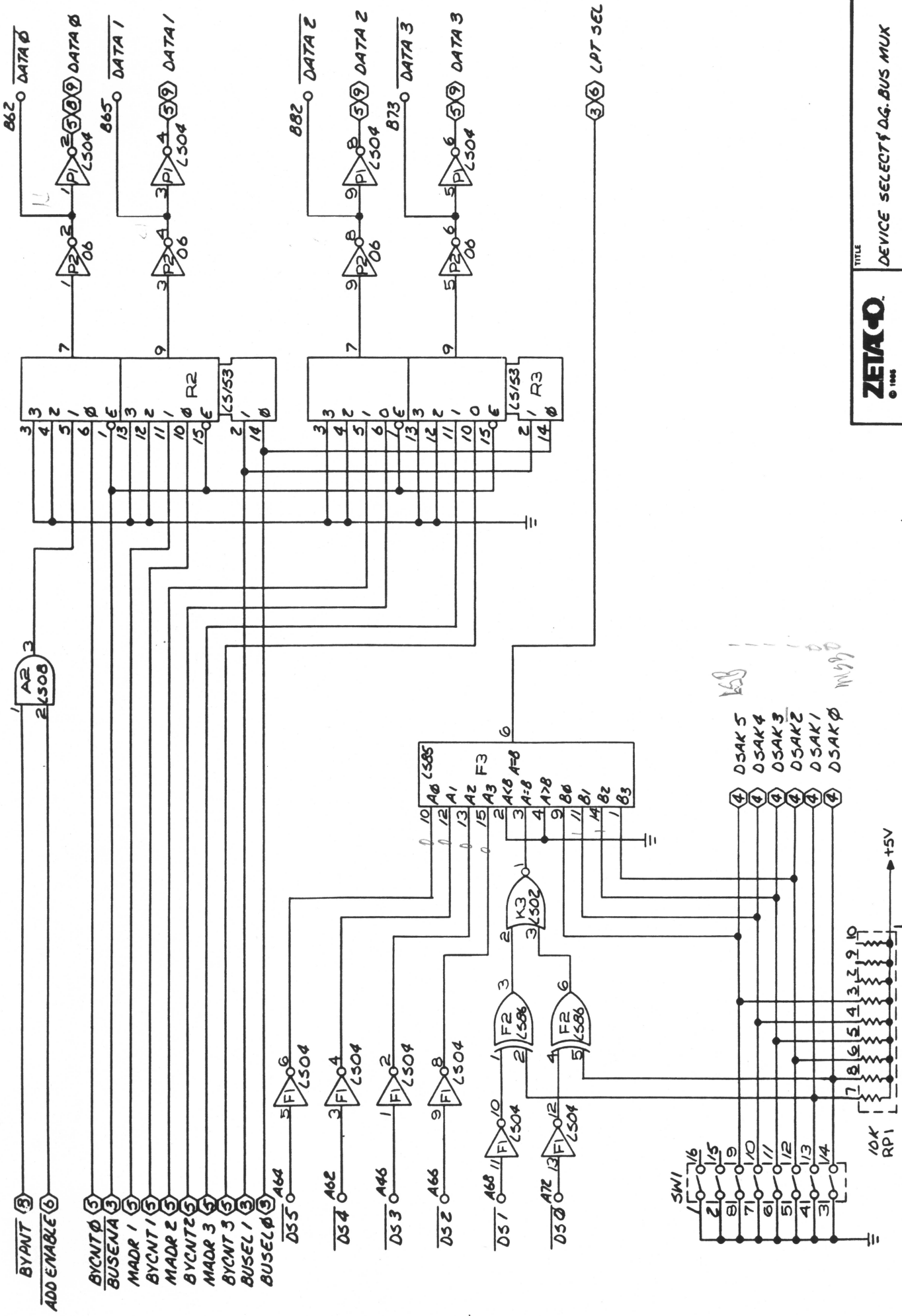
*Proprietary*

Switches on  
ADM  
Down

8      10 4 2

As looking from top

<b>ZETACOR</b> 1800 Zetaco Inc.		TITLE L-0-86 CJK BAP PDF RHR	
DIMENSIONS ARE IN INCHES UNLESS OTHERWISE SPECIFIED TOLERANCES 3 PLACE ± .005 2 PLACE ± .01 ANGULAR ± .30°	DO NOT SCALE DRAWING This document contains confidential or proprietary information of Zetaco Inc. Neither the document or information therein is to be reproduced, distributed, used, or disclosed, either in whole or in part, without the written approval of Zetaco Inc.	DRAWING NO C 700-436-00	SHEET 1 OF 15



**ZETAC**  
© 1988

DATE	
CHKD	
ENGR	
APP	

TITLE  
**DEVICE SELECT LOG. BUS MUX**

DRAWING NO  
**C 700-436-00**

SCALE  
1

SHEET 2 of 15

D

C

B

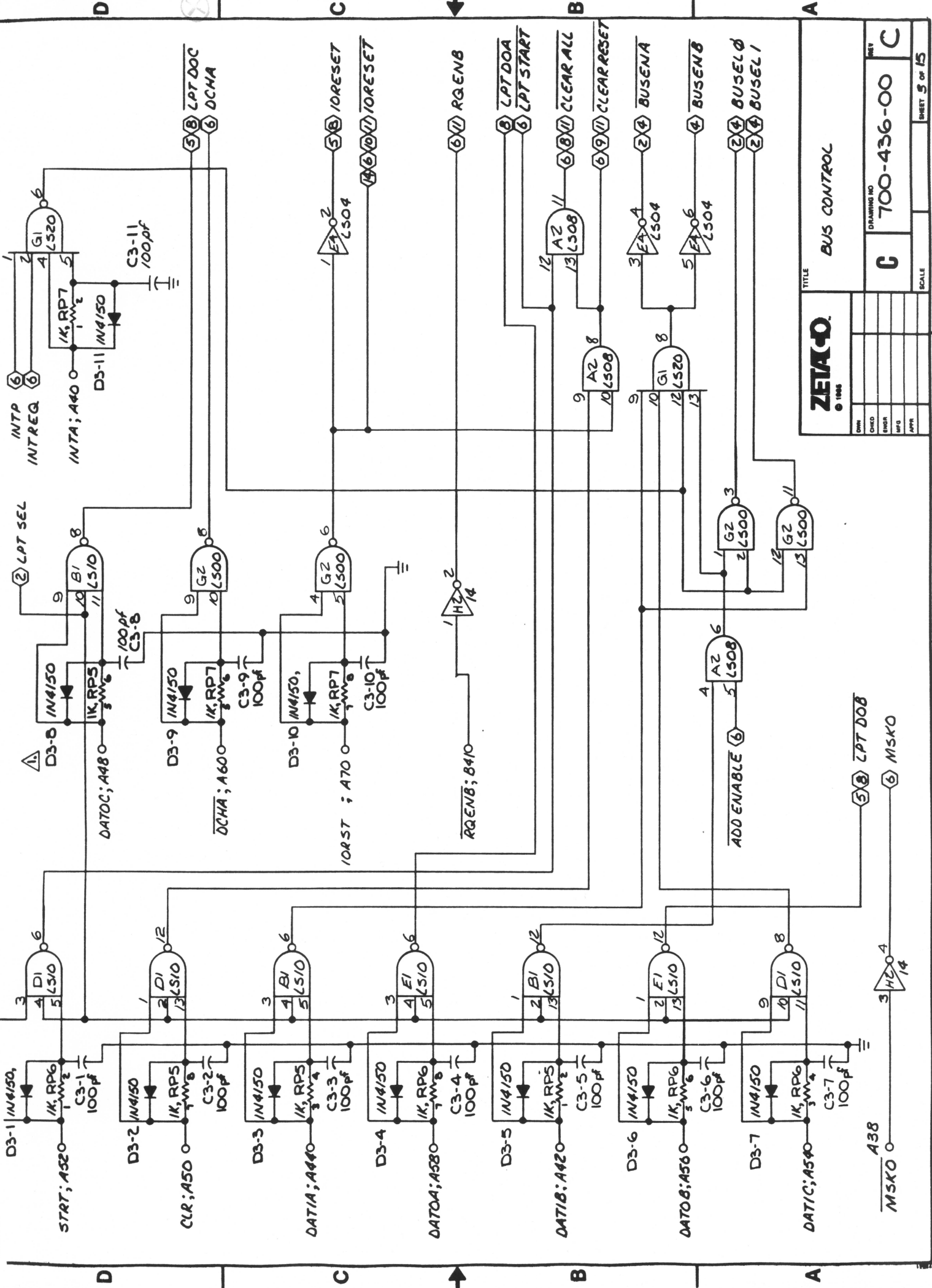
A

4

3

2

1



**ZETACOR**  
© 1988

DATE	
CHKD	
ENGR	
APPD	
APPR	

TITLE: **BUS CONTROL**

DRAWING NO: **700-436-00**

REV: **C**

SCALE: **1**

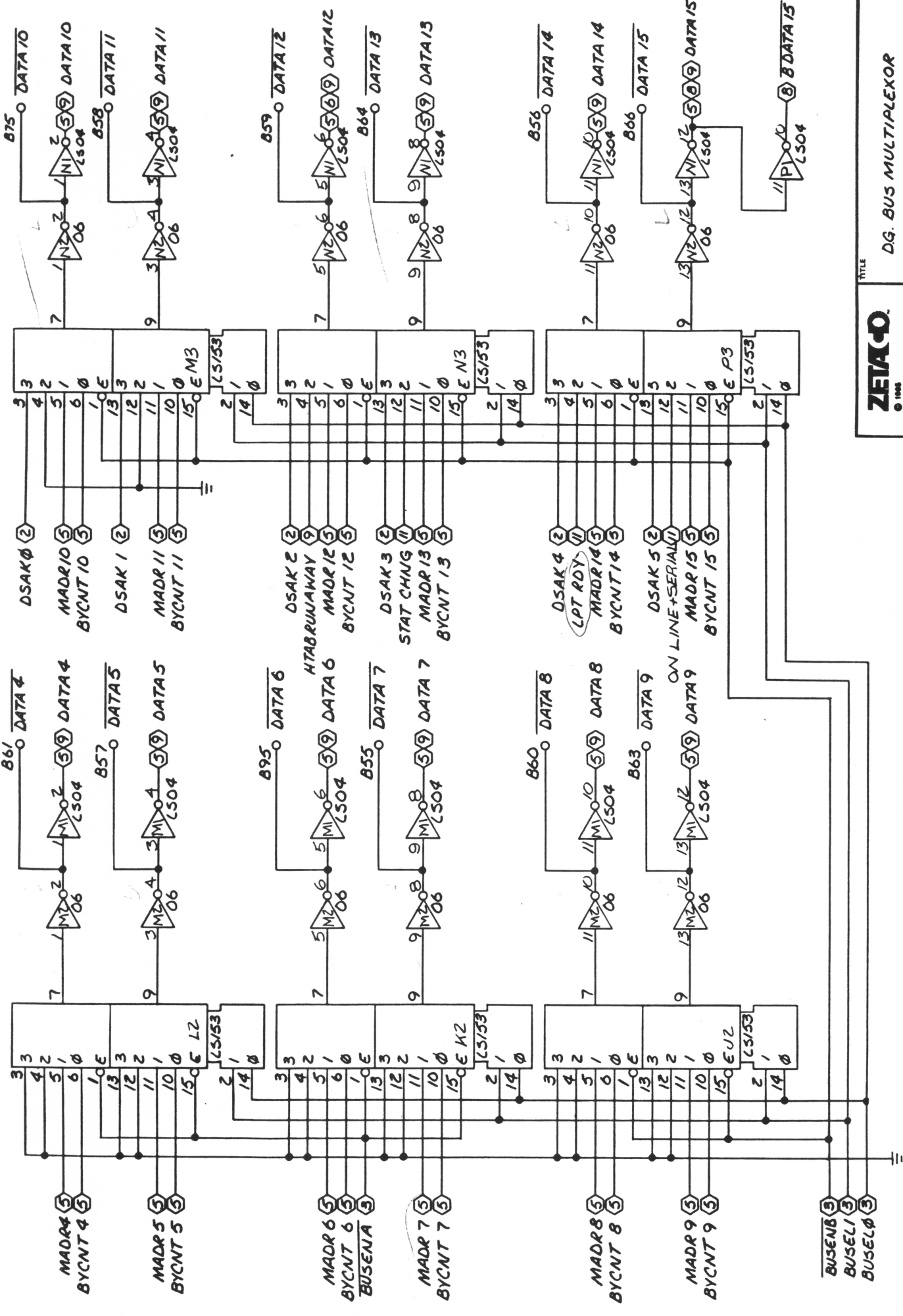
SHEET **5** OF **15**

1

2

3

4



**ZETAC**  
© 1988

OWN	CHKD	ENGR	APPC

TITLE  
**DG. BUS MULTIPLEXOR**

DRAWING NO  
**C**

SCALE  
1

SHEET 4 OF 15

D

C

B

A

D

C

B

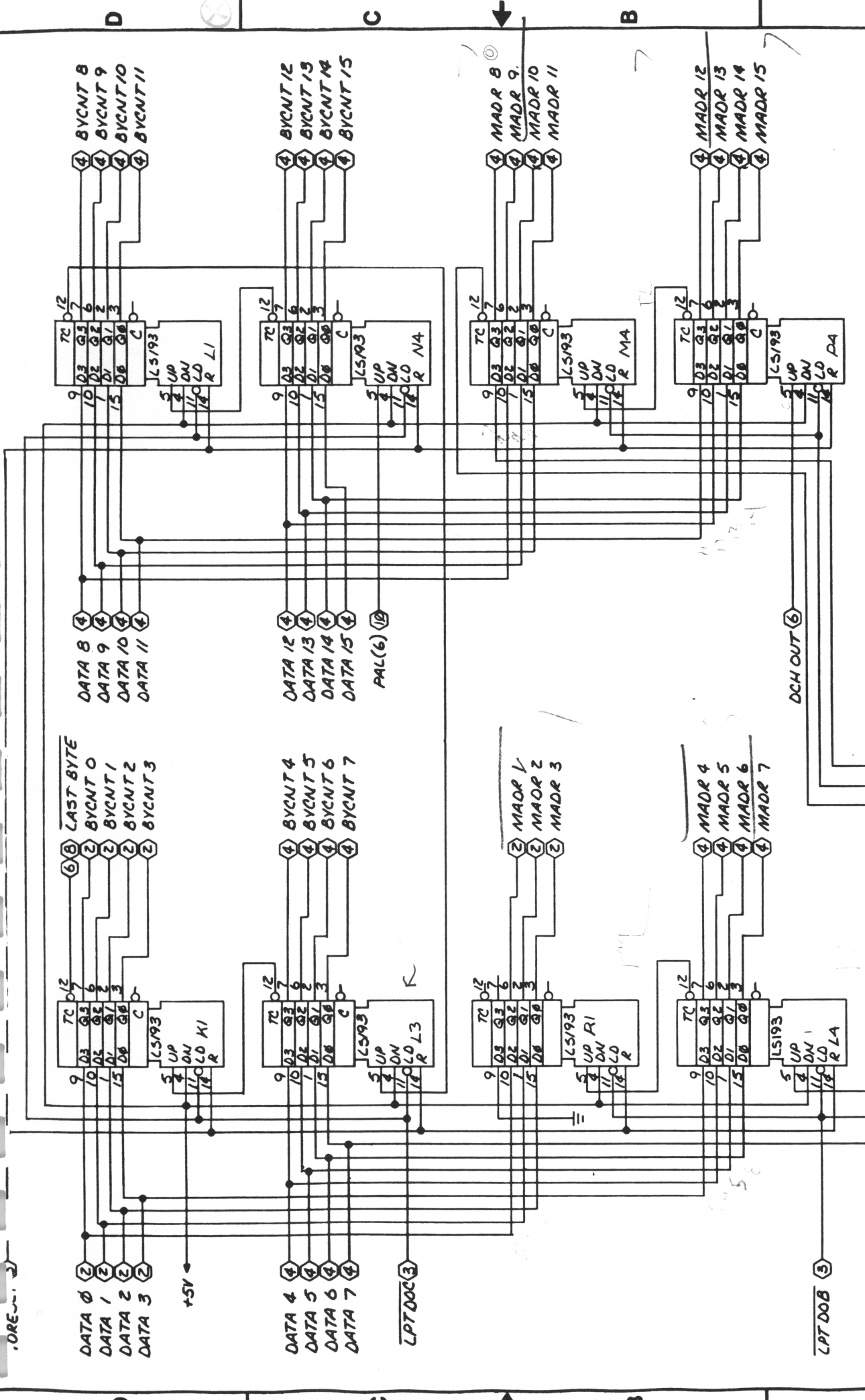
A

1

2

3

4



**ZETACOR**  
© 1988

TITLE: MEMORY ADDRESS BYTE COUNTER

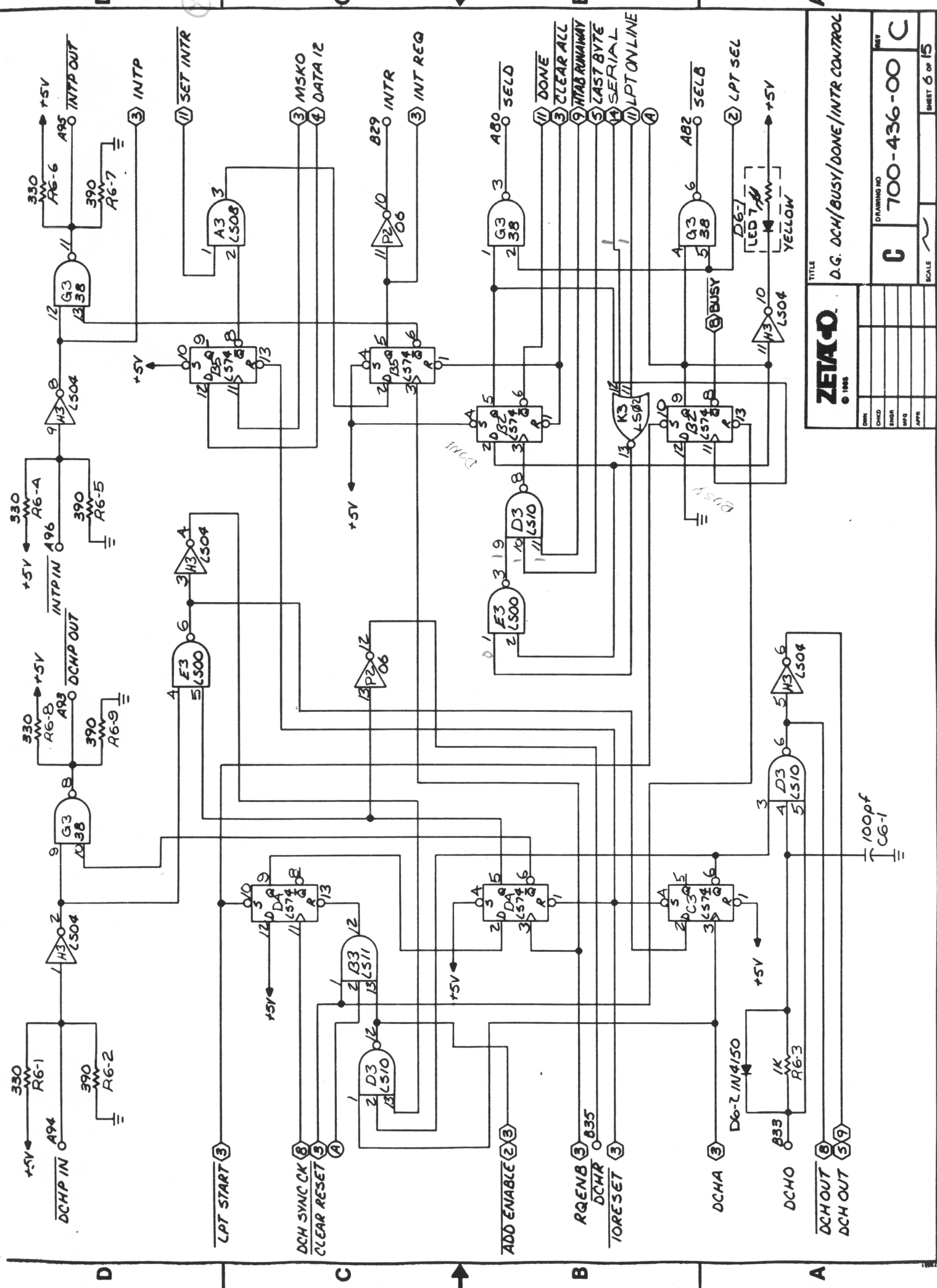
DRAWING NO: C

700-436-00

SCALE: 1

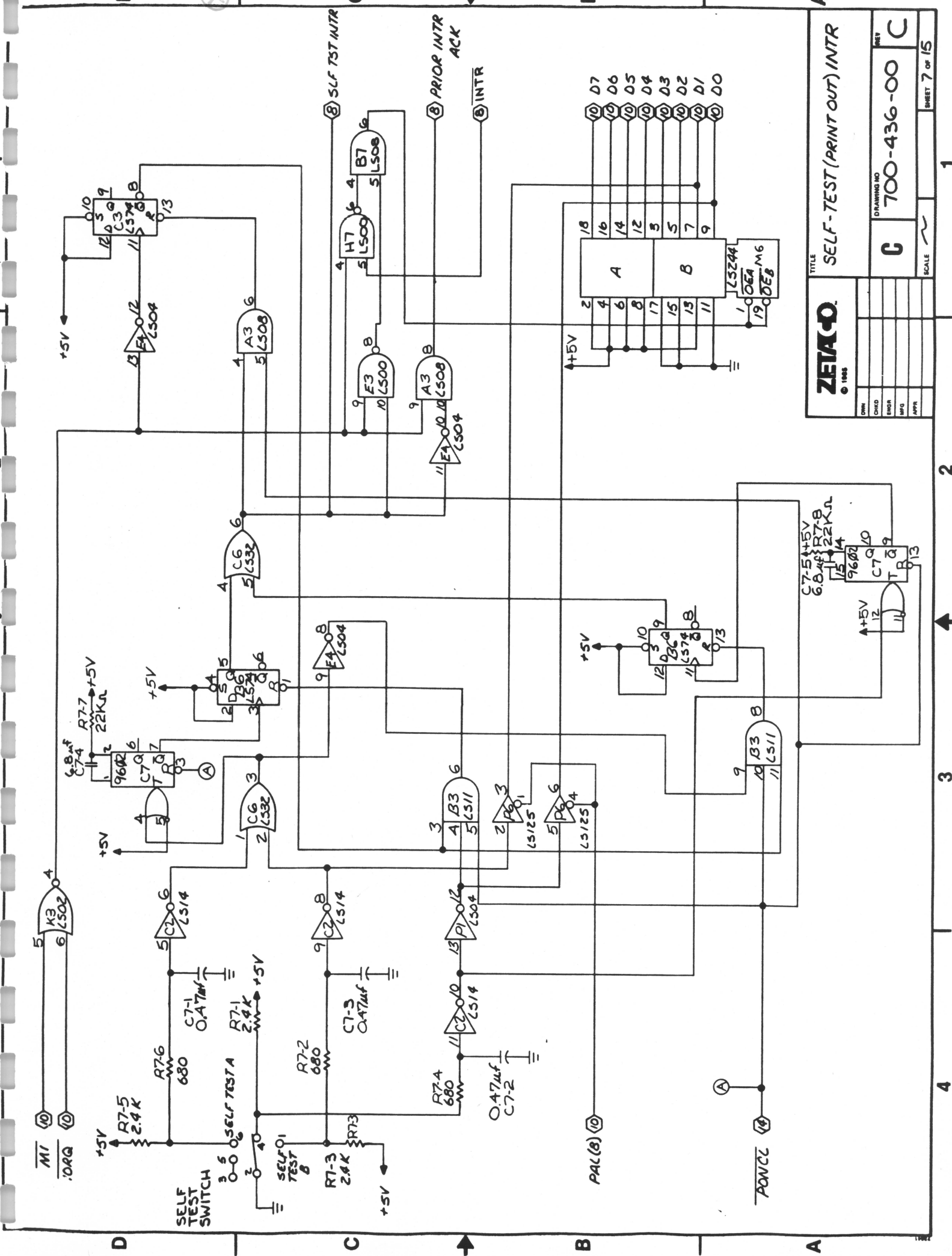
SHEET 5 OF 15

OWN	ENGR	CHKD	APPV



TITLE  
D.G. DCH/BUSY/DONE/INTR CONTROL

DESIGNER	
CHECKED	
ENGINEER	
DATE	
APPROVED	
DRAWING NO.	C 700-436-00
REV.	C
SCALE	
SHEET	6 OF 15



TITLE SELF-TEST (PRINT OUT) INTR

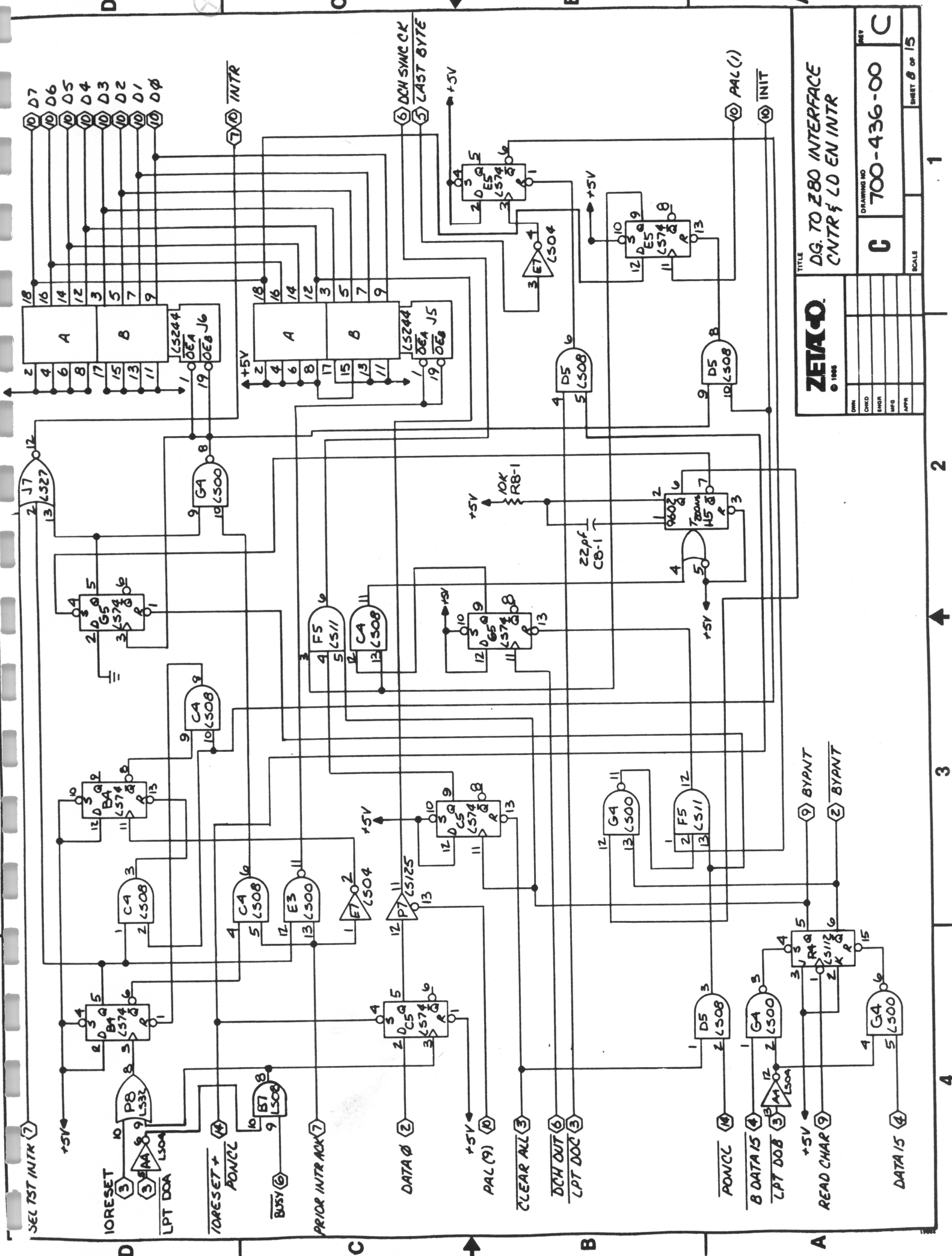
OWN	CHKD	ENGR	INFO	APPR
DRAWING NO C 700-436-00 REV C				
SCALE				
SHEET 7 OF 15				

1

2

3

4



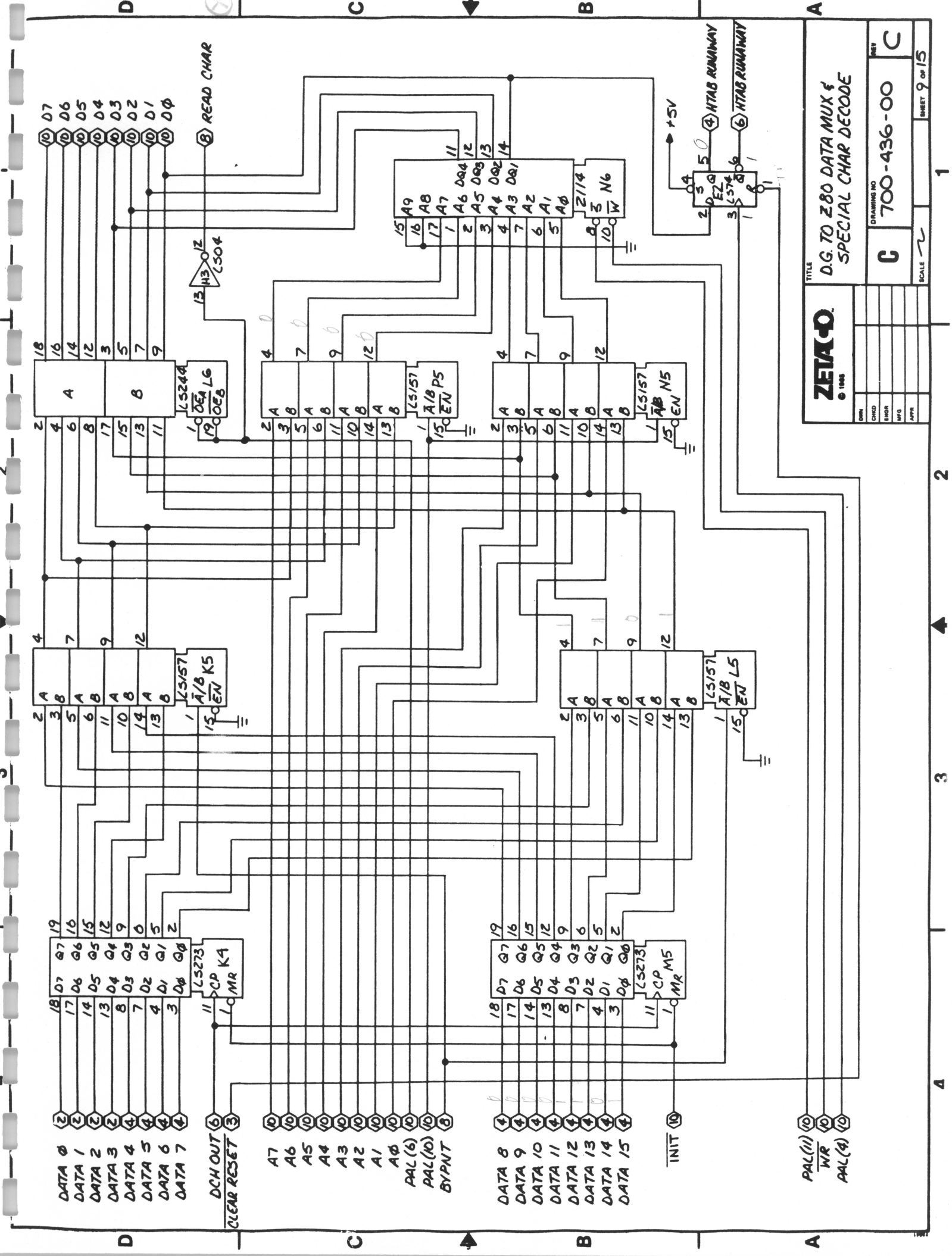
**ZETAC-D**  
© 1985

TITLE  
**DG TO Z80 INTERFACE**  
 CNTR & LD EN INTR

DATE	DESIGNED BY	DRWING NO	REV
		<b>C</b>	<b>C</b>
CHECKED		700-436-00	
ENTER		SCALE	
DATE		SHEET 8 OF 15	

1      2      3      4





TITLE

D.G. TO Z80 DATA MUX &  
SPECIAL CHAR DECODE

DESIGN	DATE
CHECKED	REV
ISSUED	
MRG	
APPR	

C

700-436-00

SCALE

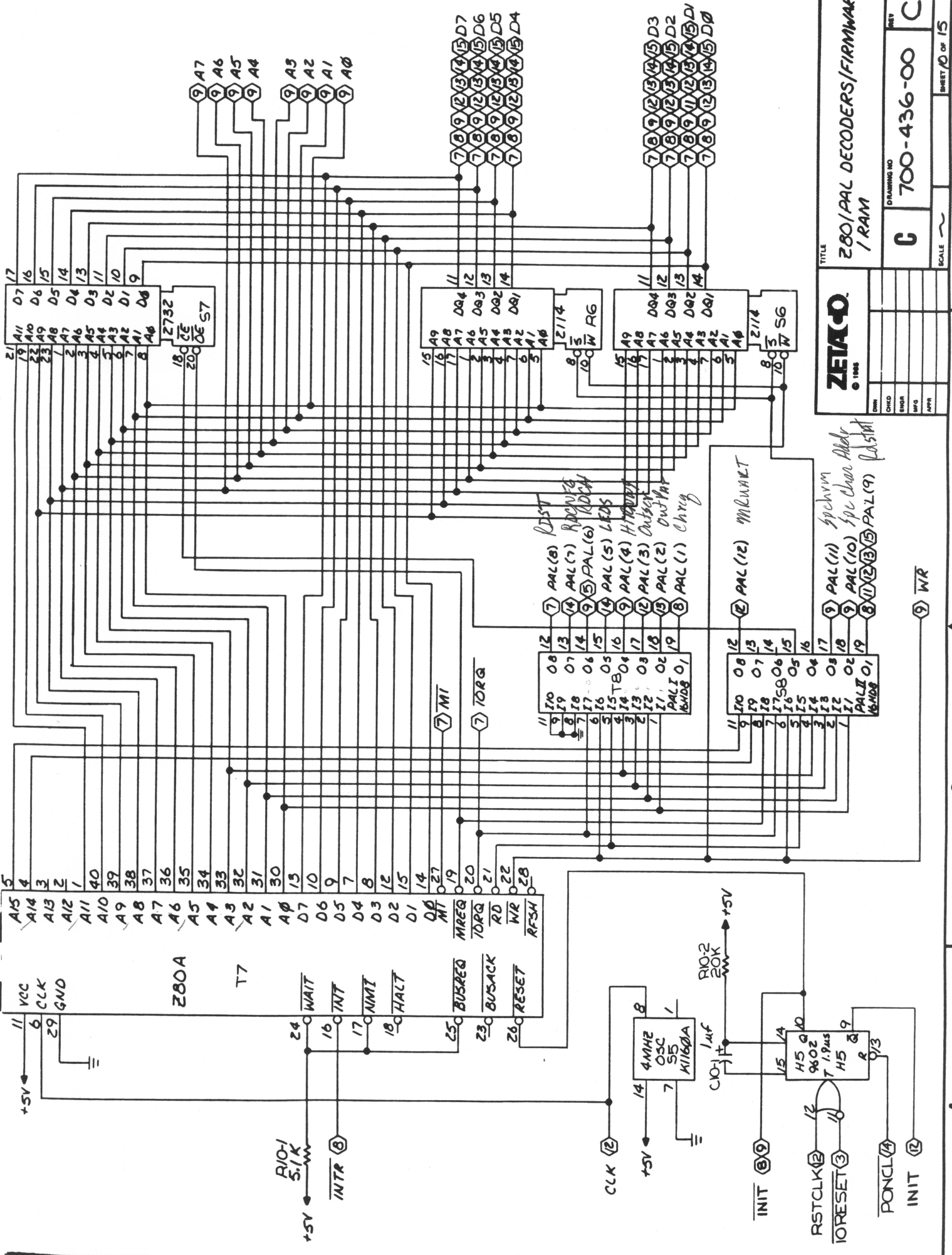
SHEET 9 OF 15

1

2

3

4



**ZETA-O**  
© 1988

**TITLE**  
Z80/PAL DECODERS/FIRMWARE  
/ RAM

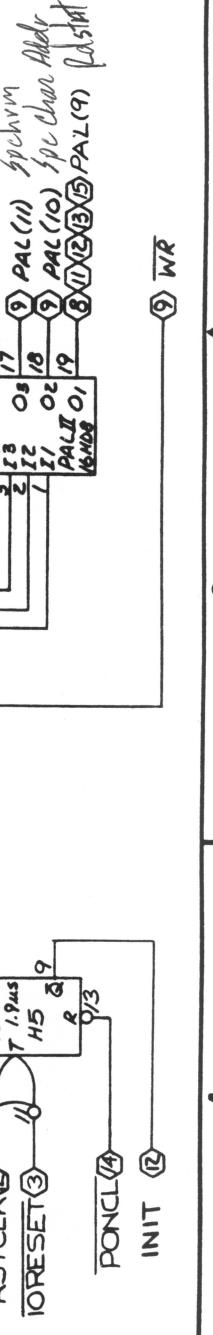
**DRAWING NO**  
C 700-436-00

**SCALE**  
1

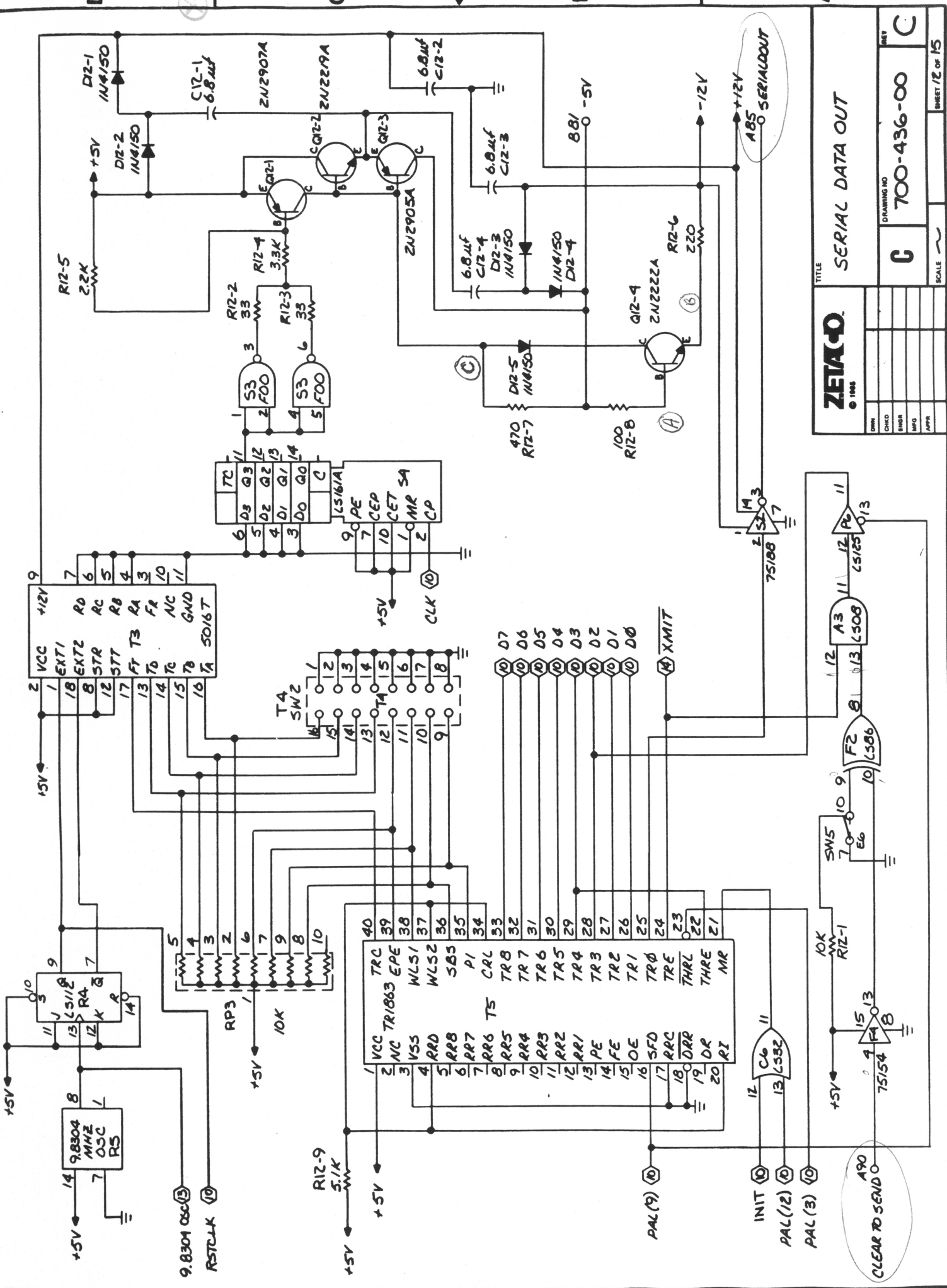
**SHEET**  
10 OF 15

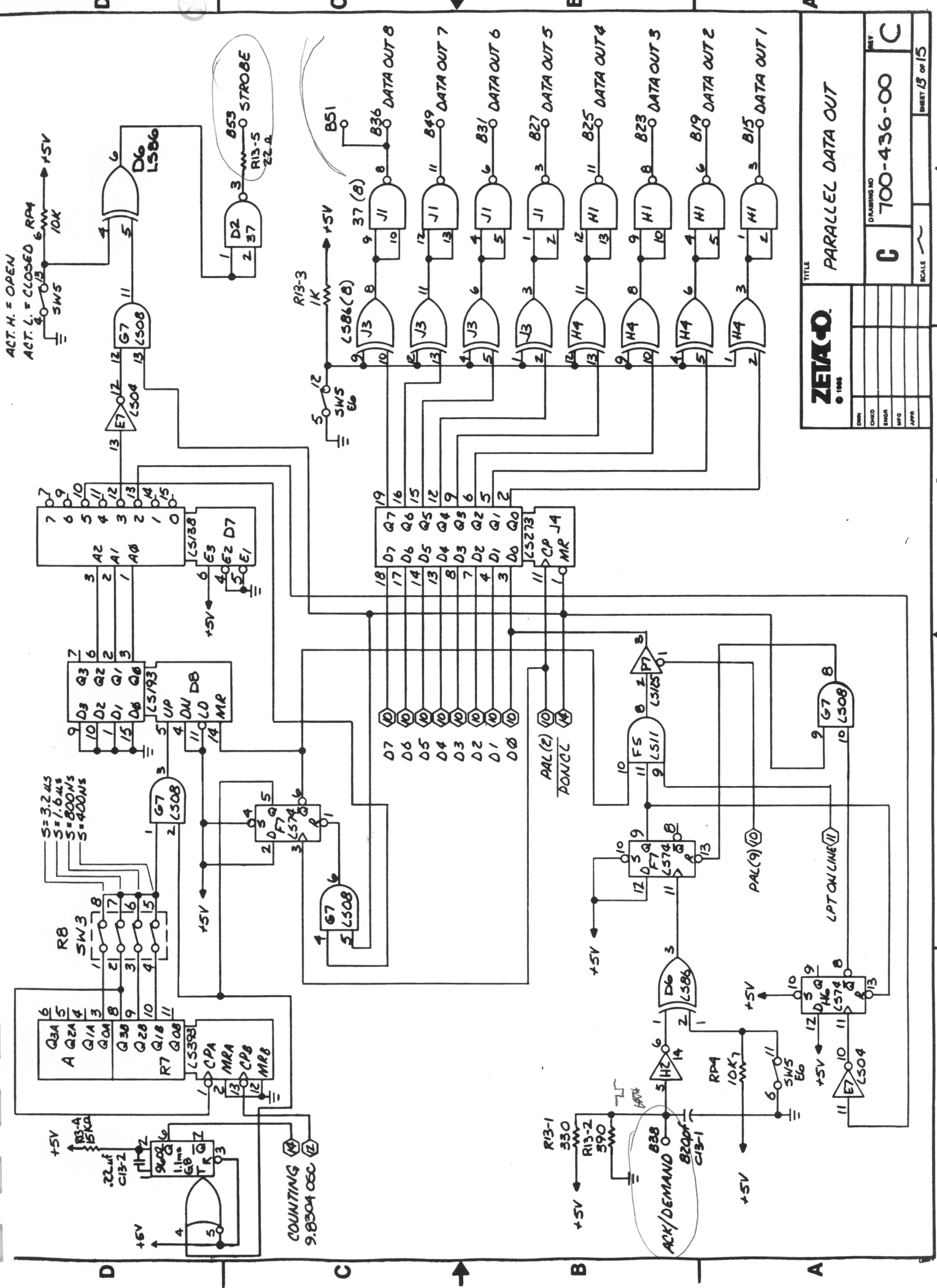
**REV**  
C

DESIGN	ENGR	INSP	APPV









ACT. H. = OPEN  
 ACT. L. = CLOSED  
 RPA  
 10K  
 SWS

053  
 R13-5  
 STROBE  
 22.2A

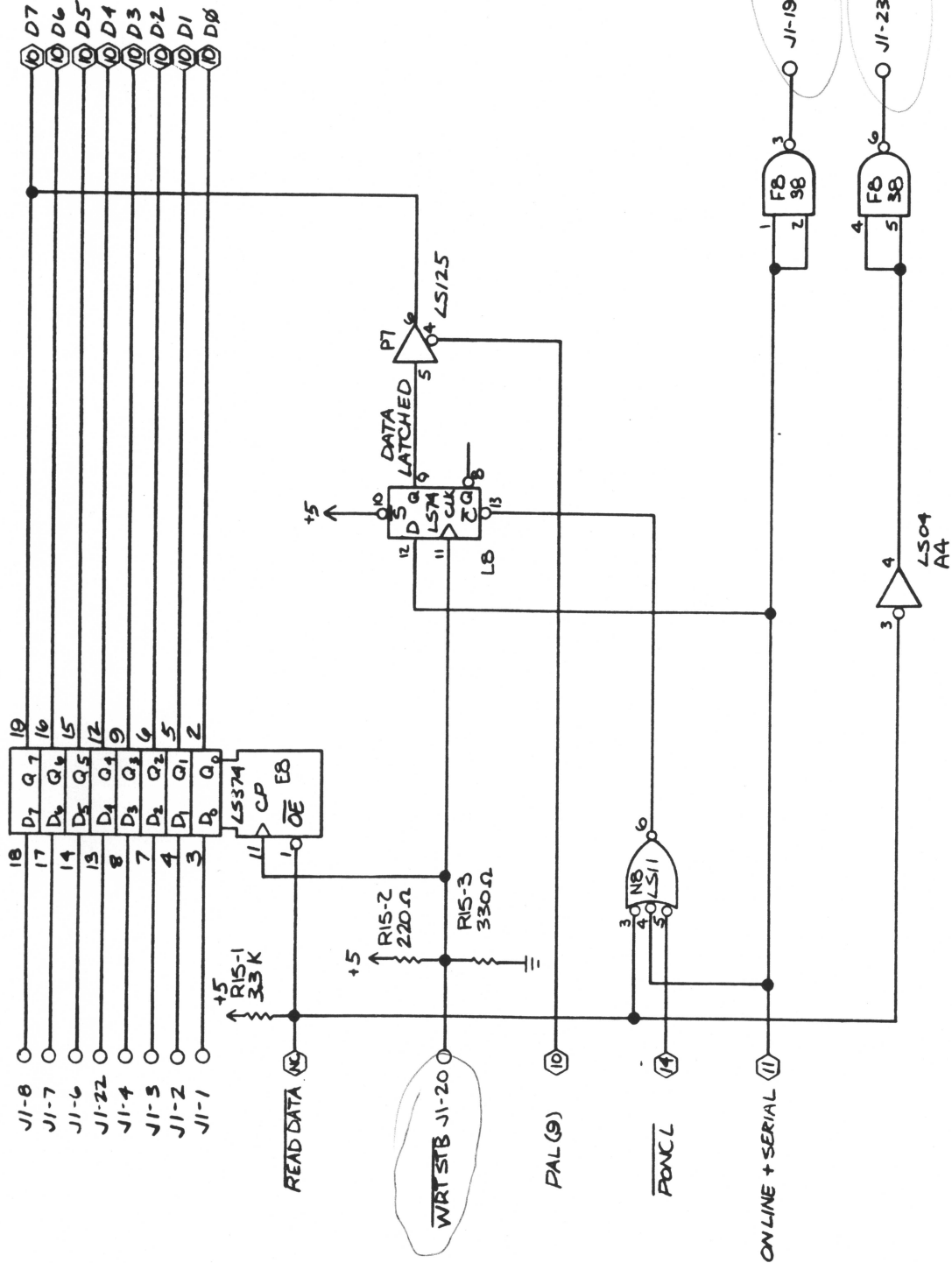
COUNTING  
 9.8304 OSC

ACK/DEMAND  
 820P  
 C13-1

ZETA-O © 1988		TITLE PARALLEL DATA OUT	
REV	CHG	DRAWING NO	REV
		C	C
		SCALE	
		SHEET 13 of 15	

1  
2  
3  
4





ZETA-D 1985		TITLE	
DRW	CHKD	OFF LINE PRINT	
ENGR	INSP	DRAWING NO	REV
APP	APP	C	C
SCALE		SHEET 15 OF 15	