

TC-133

REVISION HISTORY		
ECD #	DATE	AFFECTED SHEETS
0020	5-27-82	1, 12, 13
0060	9-17-82	1, 4, 9, 13, 14, 11
0095	3-1-83	7, 17
0196	9-29-83	3, 4, 5, 6, 7, 8, 9, 11, 12, 13, 15, 17
0226	11-11-83	SHEET 4 & 18
0282	3-21-84	NAME CHANGE
0392	9-28-84	SHEETS 5, 7, 10, & 11
0424	12-18-84	SHEET 5

NOTE:

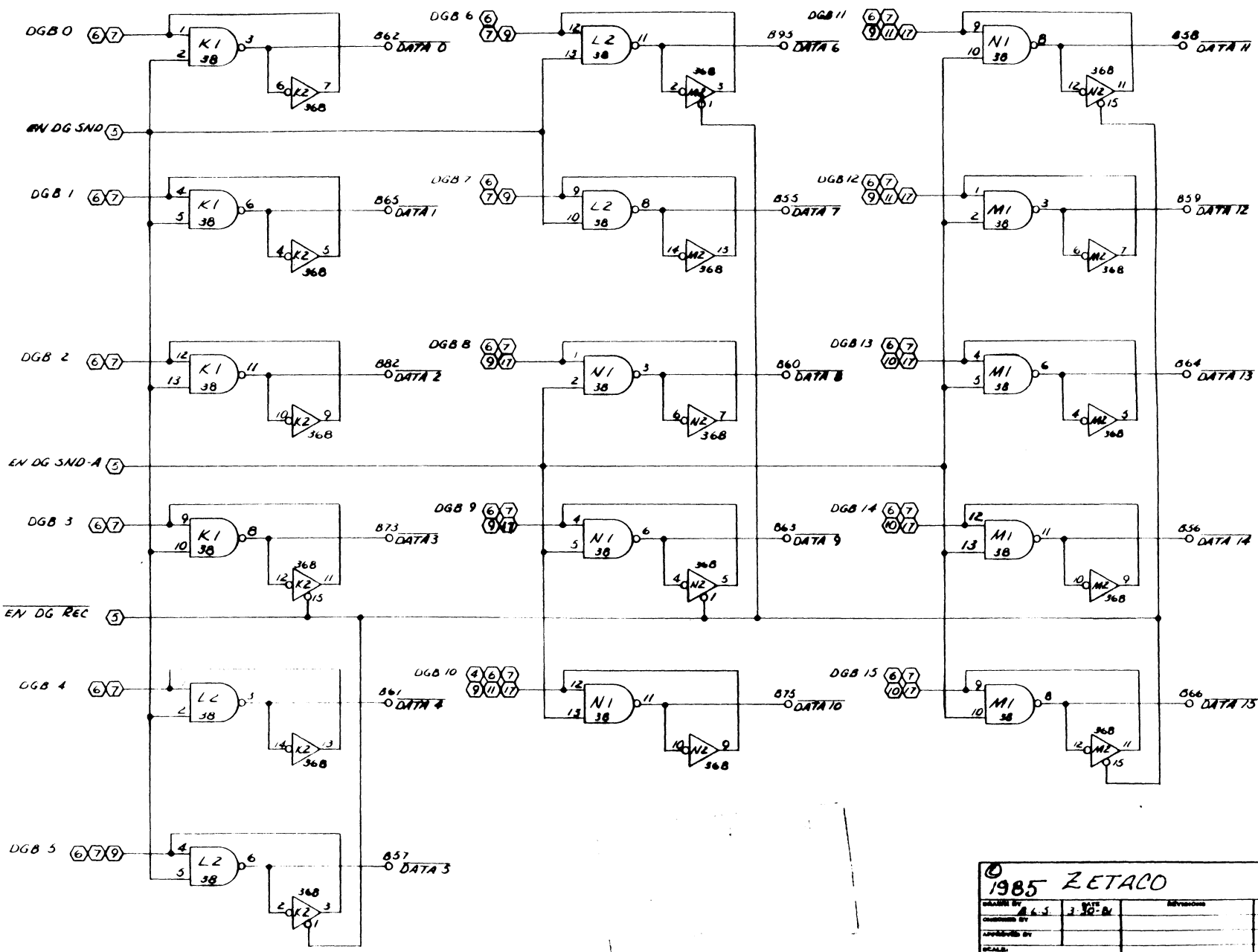
1. NUMBERS FOUND WITHIN THE HEXAGON SYMBOLS INDICATE SHEETS WHERE CONTINUED LOGIC WILL BE FOUND  
EXAMPLE: (2) = SHEET 2.

(SHEET 1-18)

1985 ZETACO			
DESIGNED BY	DATE	REVISIONS	DATE
A.L.S.	7-30-81		
CHECKED BY			
APPROVED BY			
SCALE			
TITLE	DRAWING NUMBER		
TC-133	700-242-00 B		

700242-000 B

(SHEET 1 OF 17)



700242-000 B

(SHEET 2)

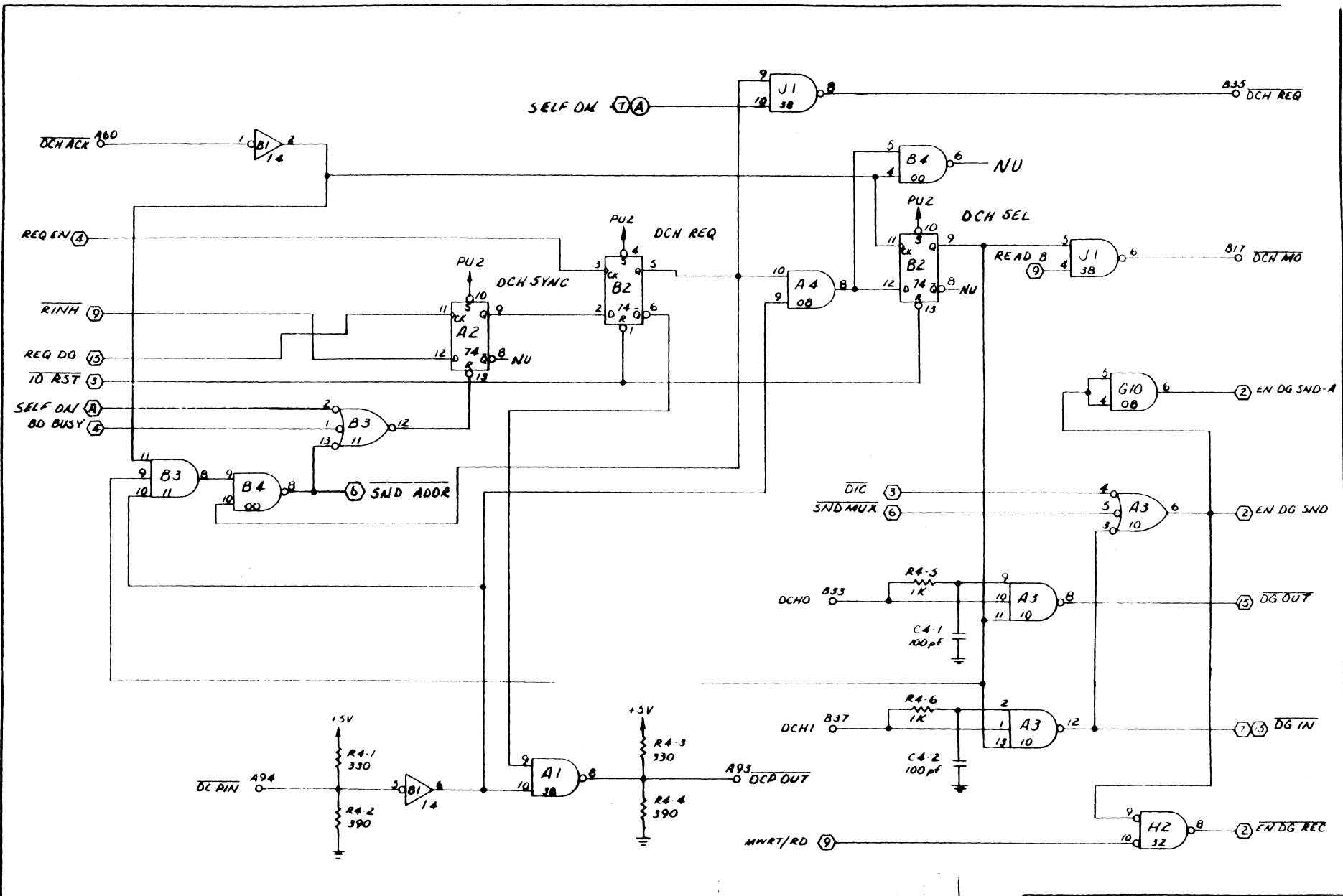
1985 ZETACO

DESIGNED BY A. S.	DATE 3-30-81	REVISIONS	DATE
APPROVED BY			
SCALE			
TITLE EPC DG INTERFACE	DRAWING NUMBER 700-242-008		

© 1985 ZETACO SYSTEMS INC.





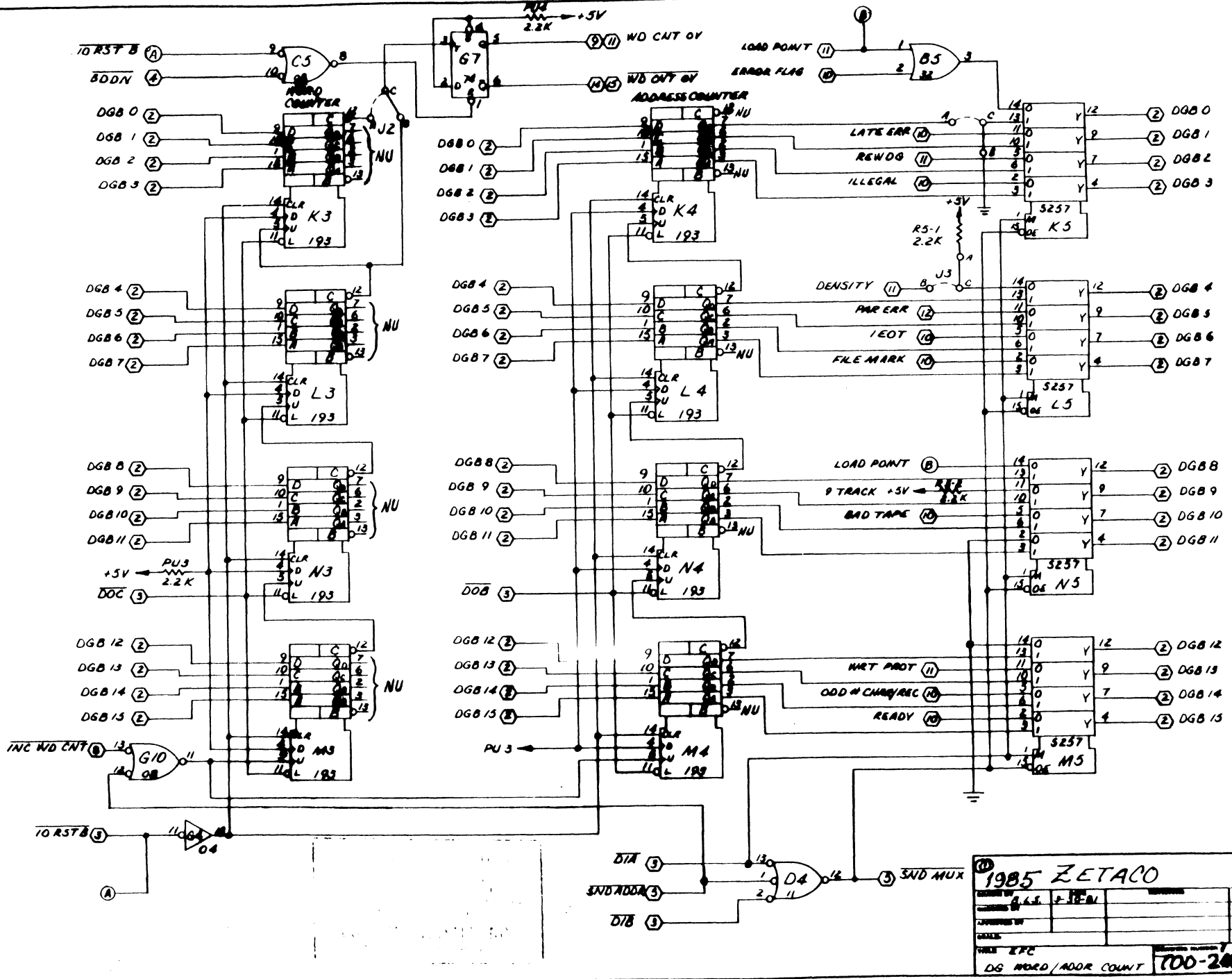


70D242-000 B

© 1985 ZETACO

DESIGNED BY	DATE	REVISED	DATE
CHECKED BY	1-28-81		
APPROVED BY			
SCALE			
TITLE	DRAWING NUMBER		
DG CONTROL (CONT.)	70D-242-000 B		
(SHEET 5)			

© 1985 ZETACO



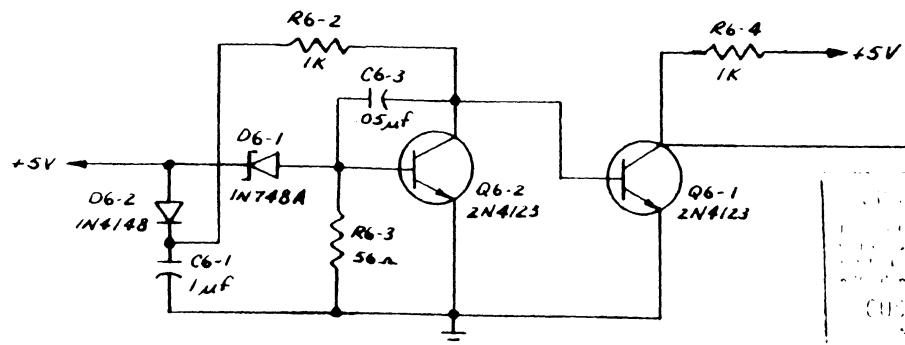
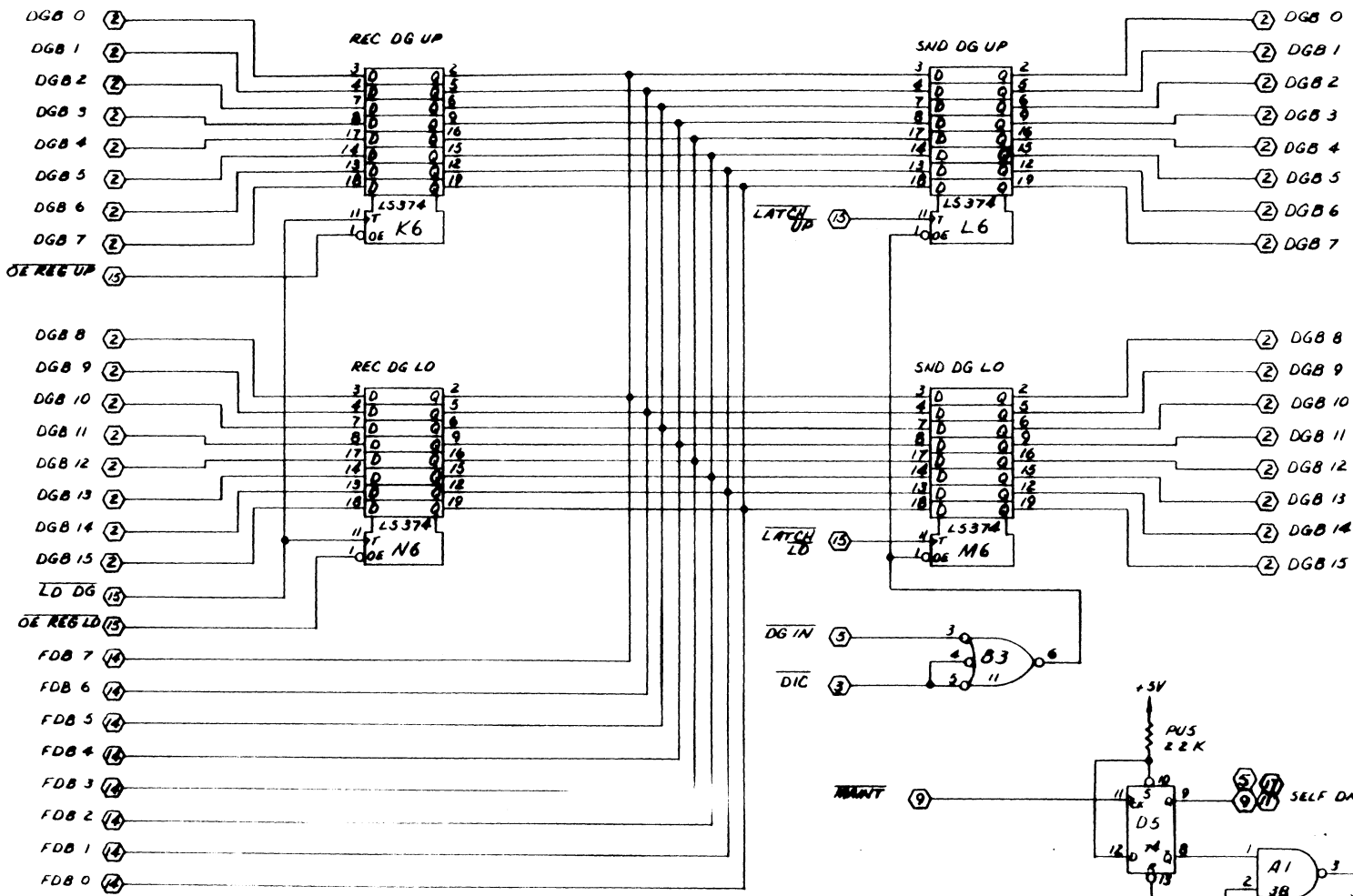
1985 ZETACO

ORDER BY	DATE	REVISED	DATE
APPROVED BY			
DESIGNER			
TITLE	EPC		
DG WORD/ADDR COUNT	100-2		

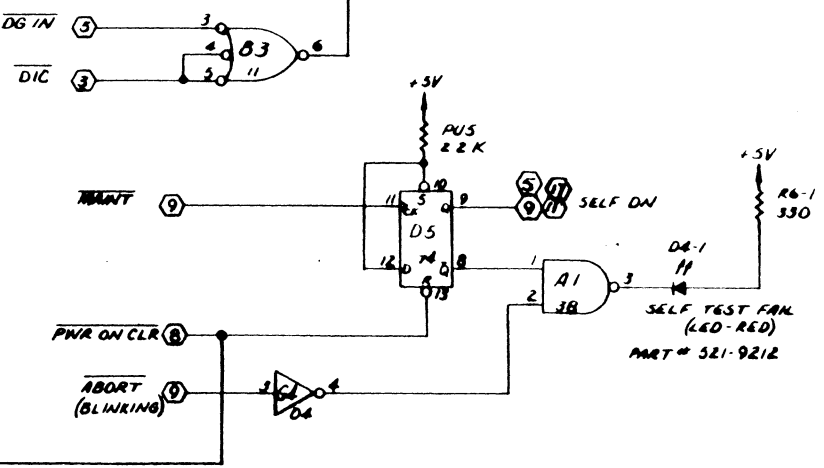
(SHEET 6)

700242-000 B

© 1982  
CUSTOM SYSTEMS, INC.  
U.S.A.



CUSTOM SYSTEMS, INC.  
 10000 WILSON BLVD.  
 BOSTON, MASS 02118  
 TEL: 617-252-1000  
 FAX: 617-252-1001  
 WWW: WWW.CUSTOMSYSTEMS.COM



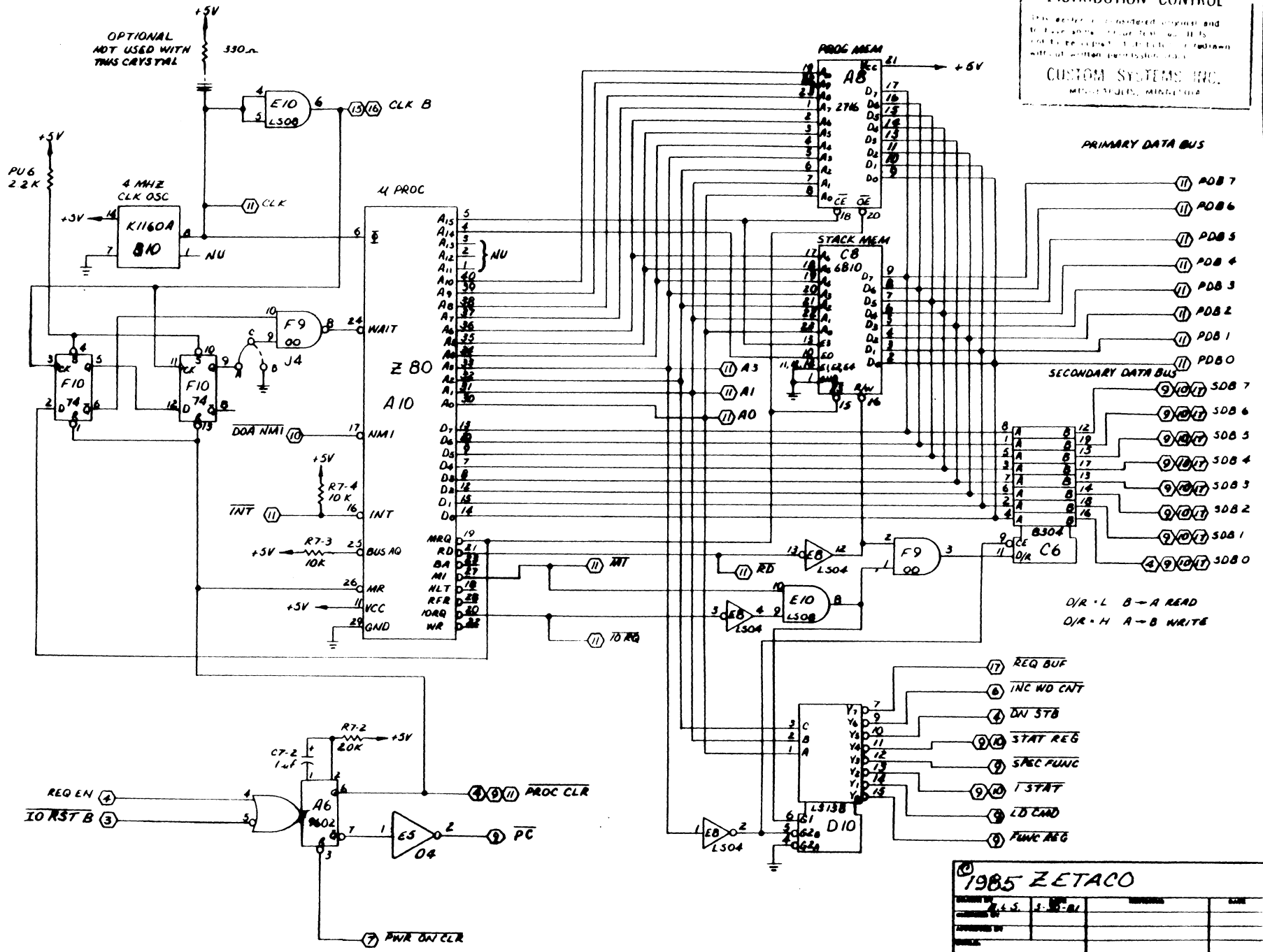
1985 ZETACO  
 ORDER BY: RLS 1-30-81  
 APPROVED BY:  
 DATE:  
 FILE: EPC  
 DATA CHANNEL LATCH  
 700-203-000

700242-000

(SHEET 7)

© 1982  
 CUSTOM SYSTEMS, INC.  
 U.S.A.

**DISTRIBUTION CONTROL**  
 This system is considered proprietary and its use should be restricted to those individuals authorized by written permission only.  
**CUSTOM SYSTEMS, INC.**  
 MEMPHIS, TENNESSEE



**1985 ZETACO**

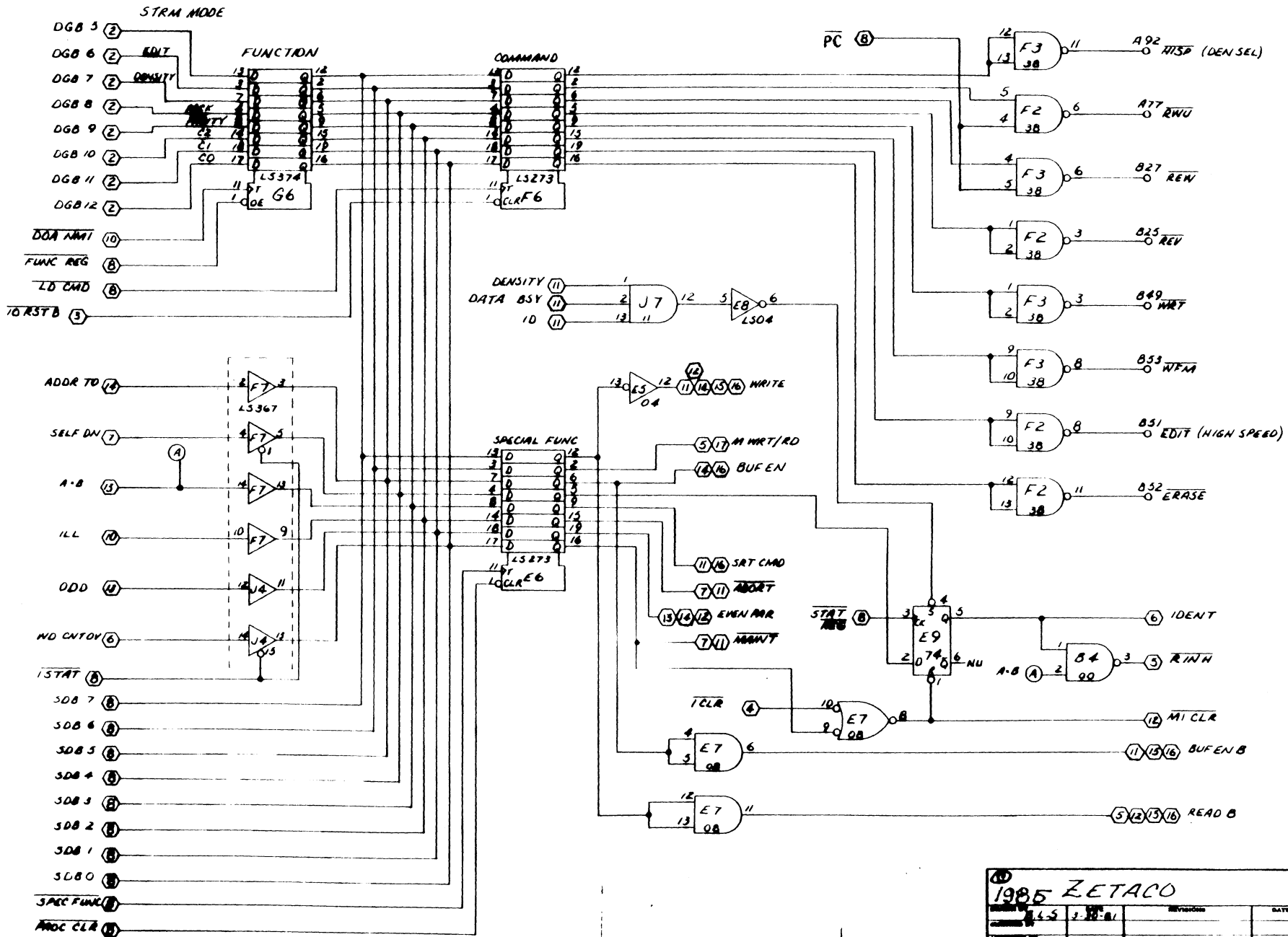
DESIGNED BY	DATE	REVISION	SCALE
APPROVED BY			
PART NO. EFC		M PROCESSOR	
700-242-008			

T00242-000 B

(SHEET 8)

© 1982  
 CUSTOM SYSTEMS, INC.  
 P. 4



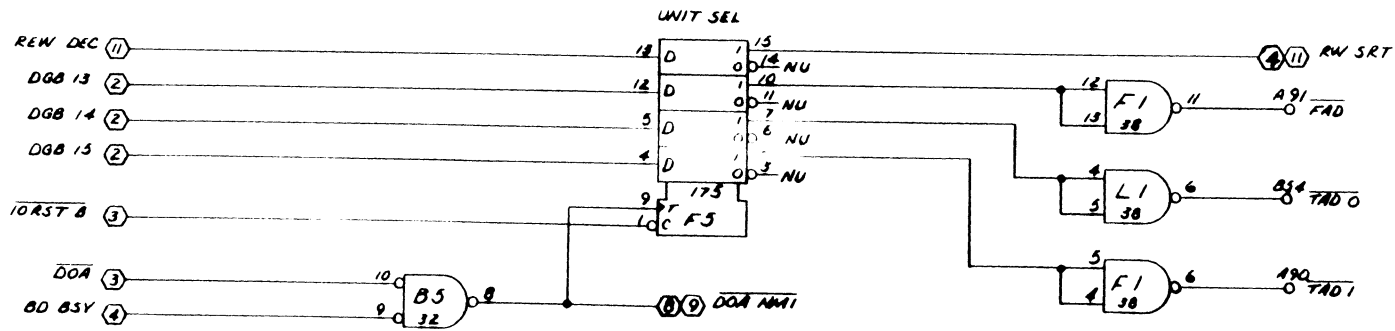
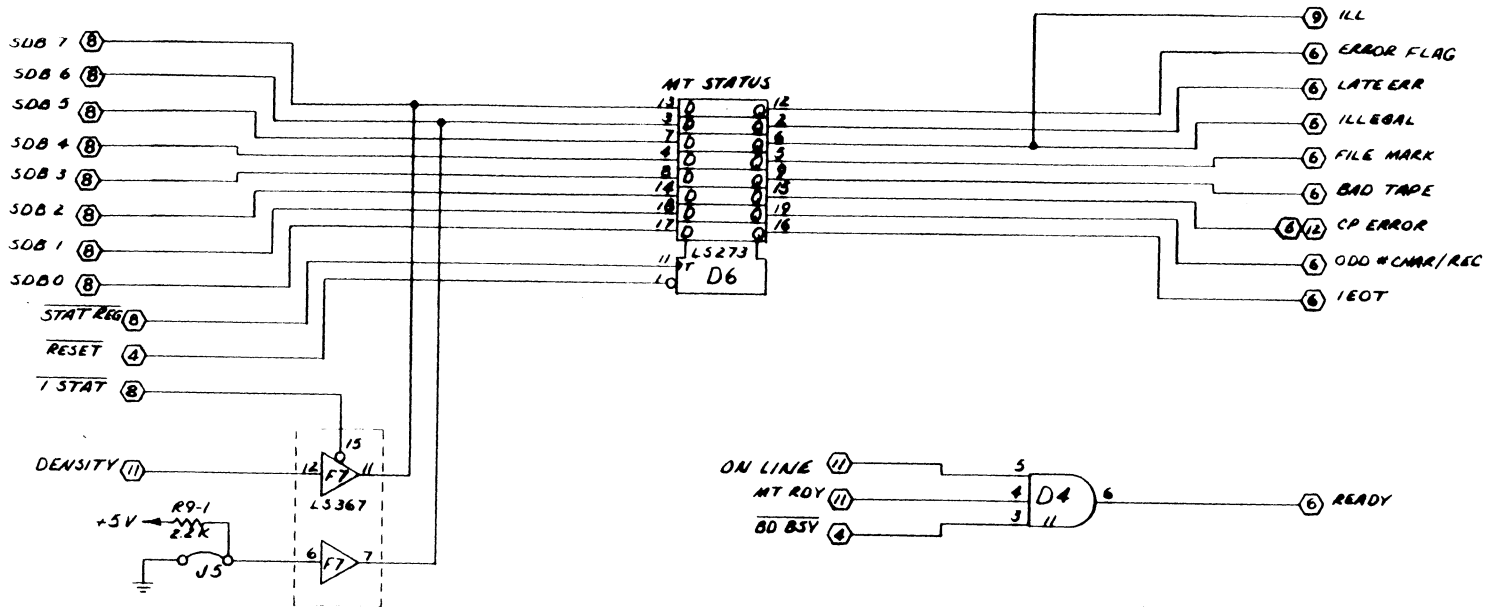


T00242-000 B

1985 ZETACO			
REVISED BY	DATE	REVISIONS	DATE
DESIGNED BY			
APPROVED BY			
TITLE		DRAWING NUMBER	
EPC FUNC/STATUS REG		T00-242-00 B	

(SHEET 9)

© 1982  
 ZETACO SYSTEMS, INC.



DISTRIBUTION CONTROL

CUSTOM SYSTEMS, INC.

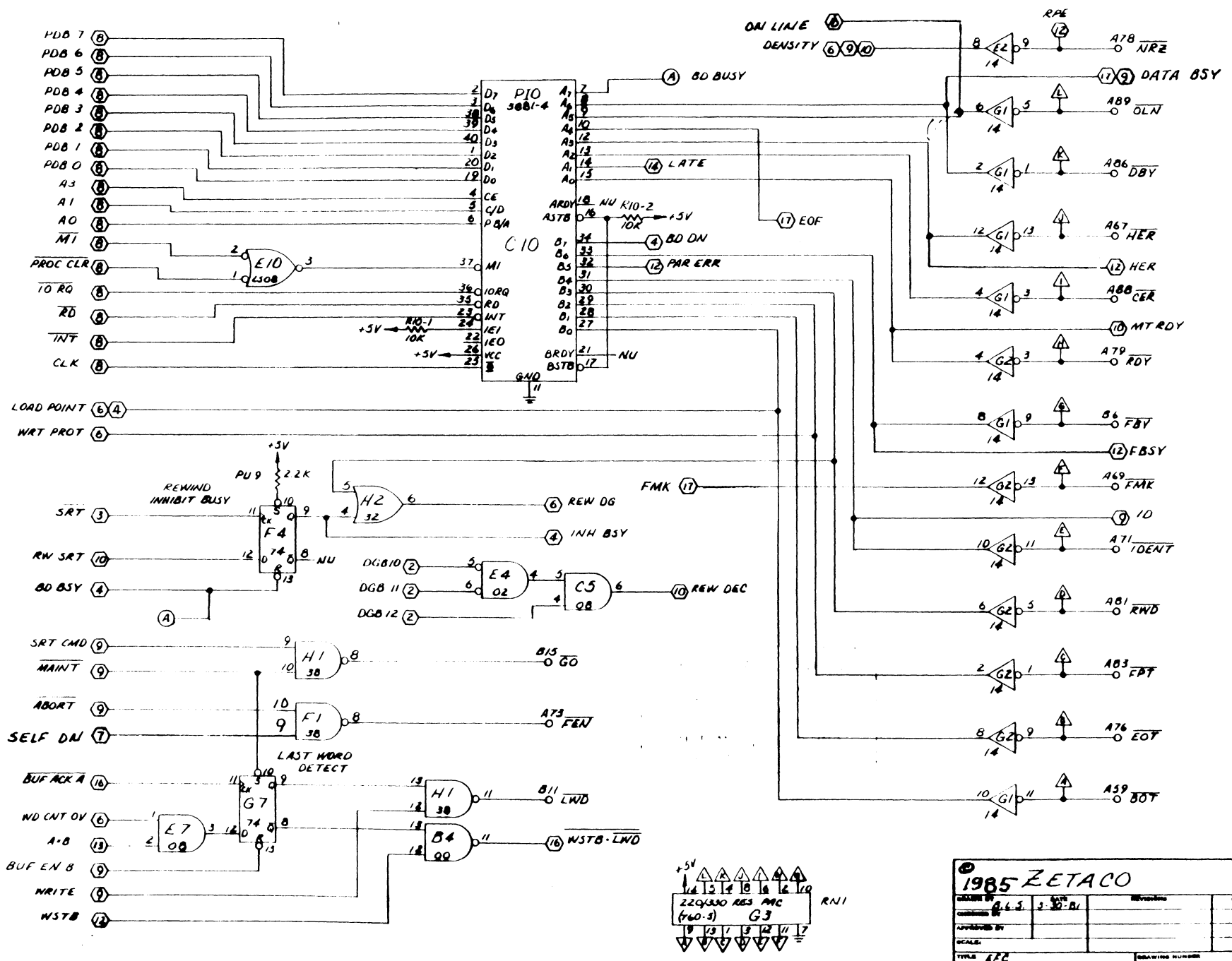
1985 ZETACO

DESIGNED BY	DATE	REVISIONS	DATE
APPROVED BY			
CHECKED BY			
TITLE	DRAWING NUMBER		
FUNC/STATUS REQ (CONT)	700-242-008		

700242-000 B

(SHEET 10)

© 1982  
CUSTOM SYSTEMS, INC.  
U.S.A.



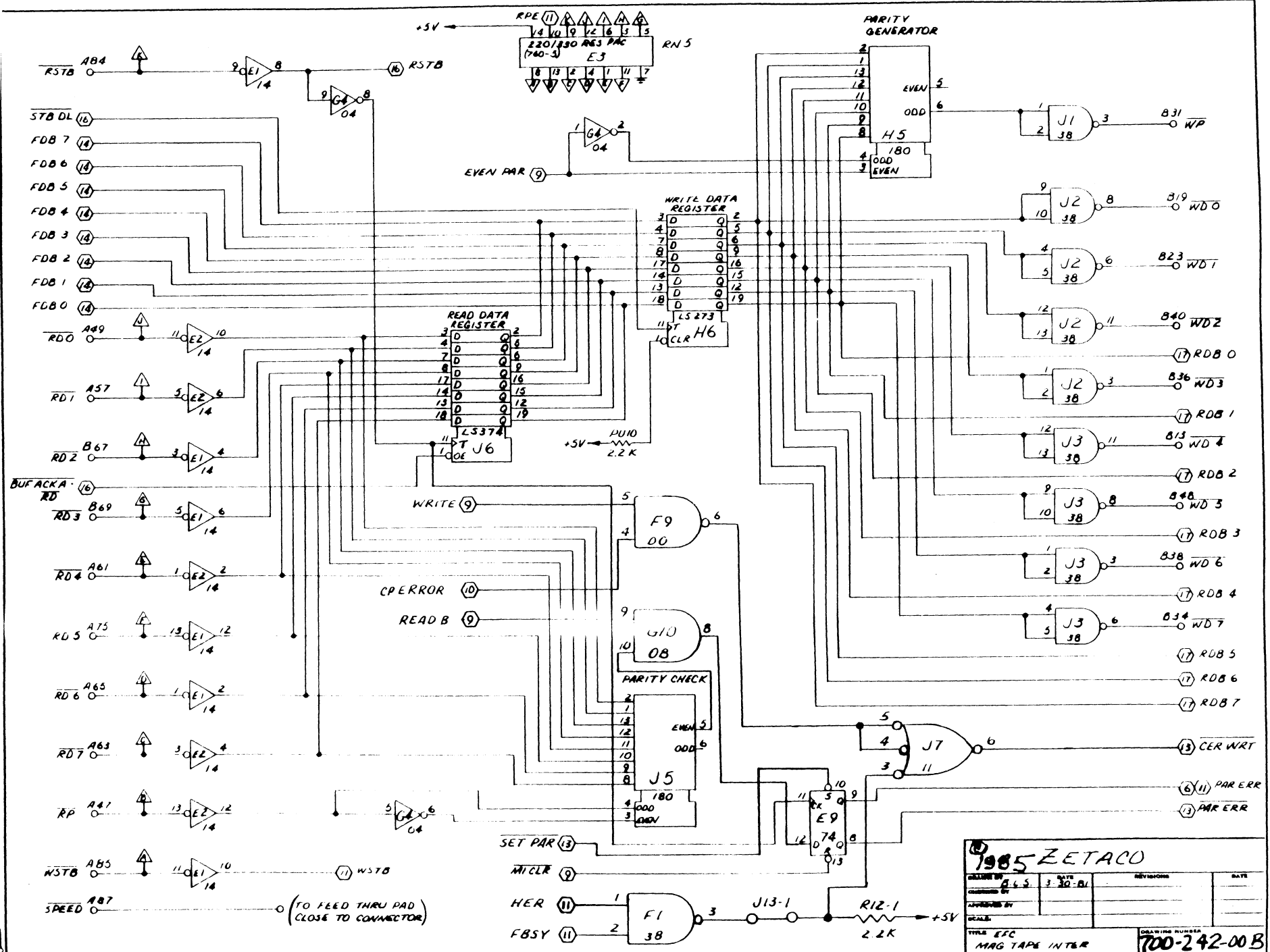
1985 ZETACO

DESIGNED BY	DATE	REVISIONS	DATE
APPROVED BY	3-30-81		
SCALE:			
TITLE	DRAWING NUMBER		
MAG TAPE STATUS	100-242-008		

700242-000 B

(SHEET 11)

© 1985 ZETACO SYSTEMS, INC.



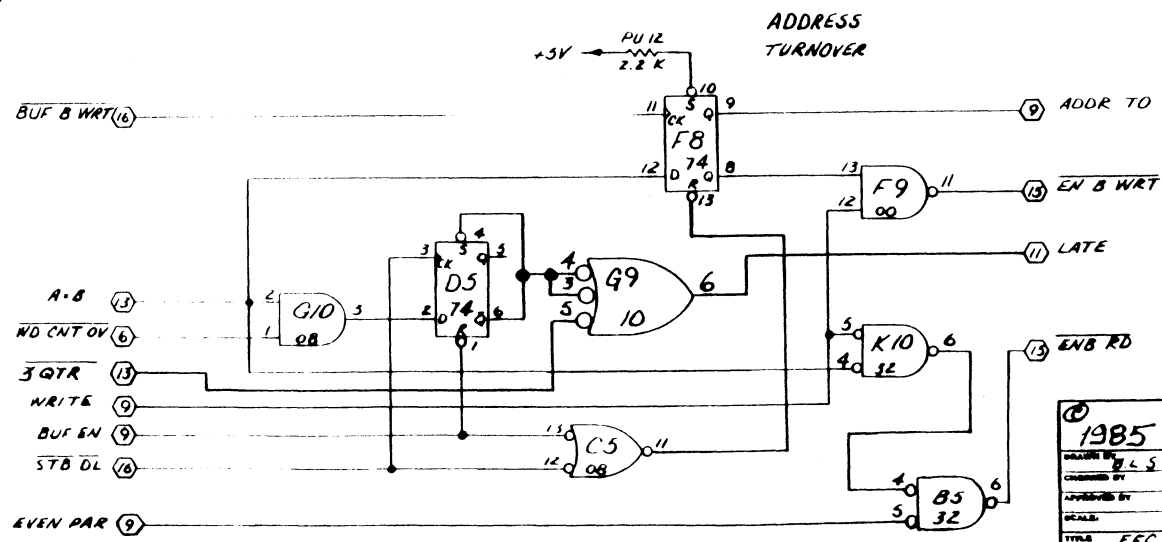
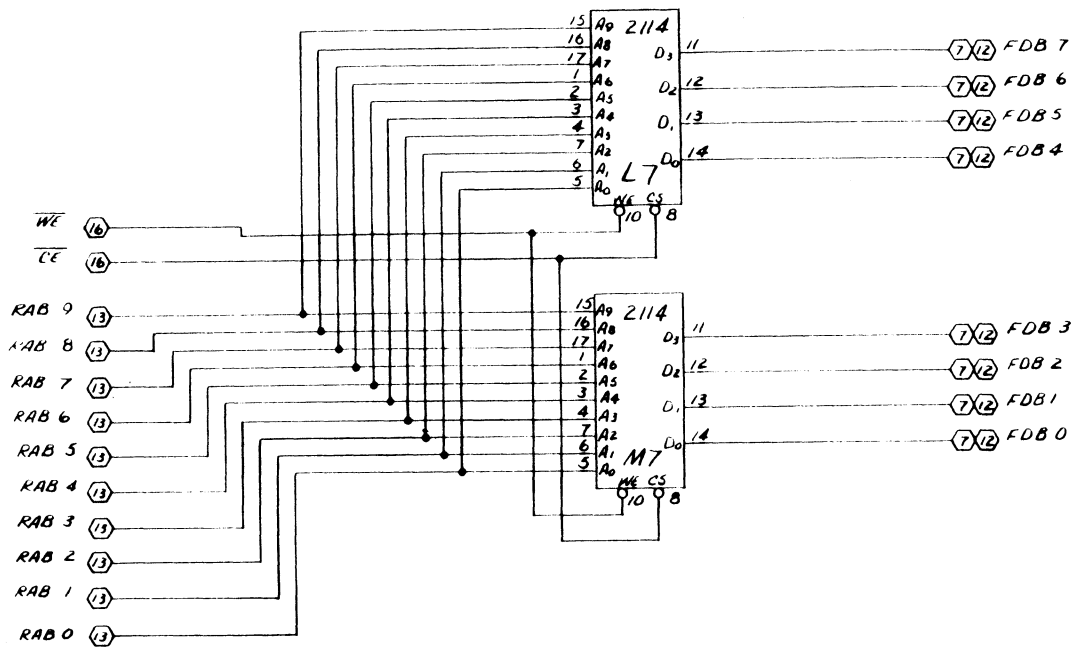
**1985 ZETACO**

DESIGNED BY A.L.S.	DATE 3.30.81	REVISIONS	DATE
CHECKED BY			
APPROVED BY			
SCALE			
TITLE EFC MAG TAPE INTER		DRAWING NUMBER 700-242-00 B	

700242-000 B

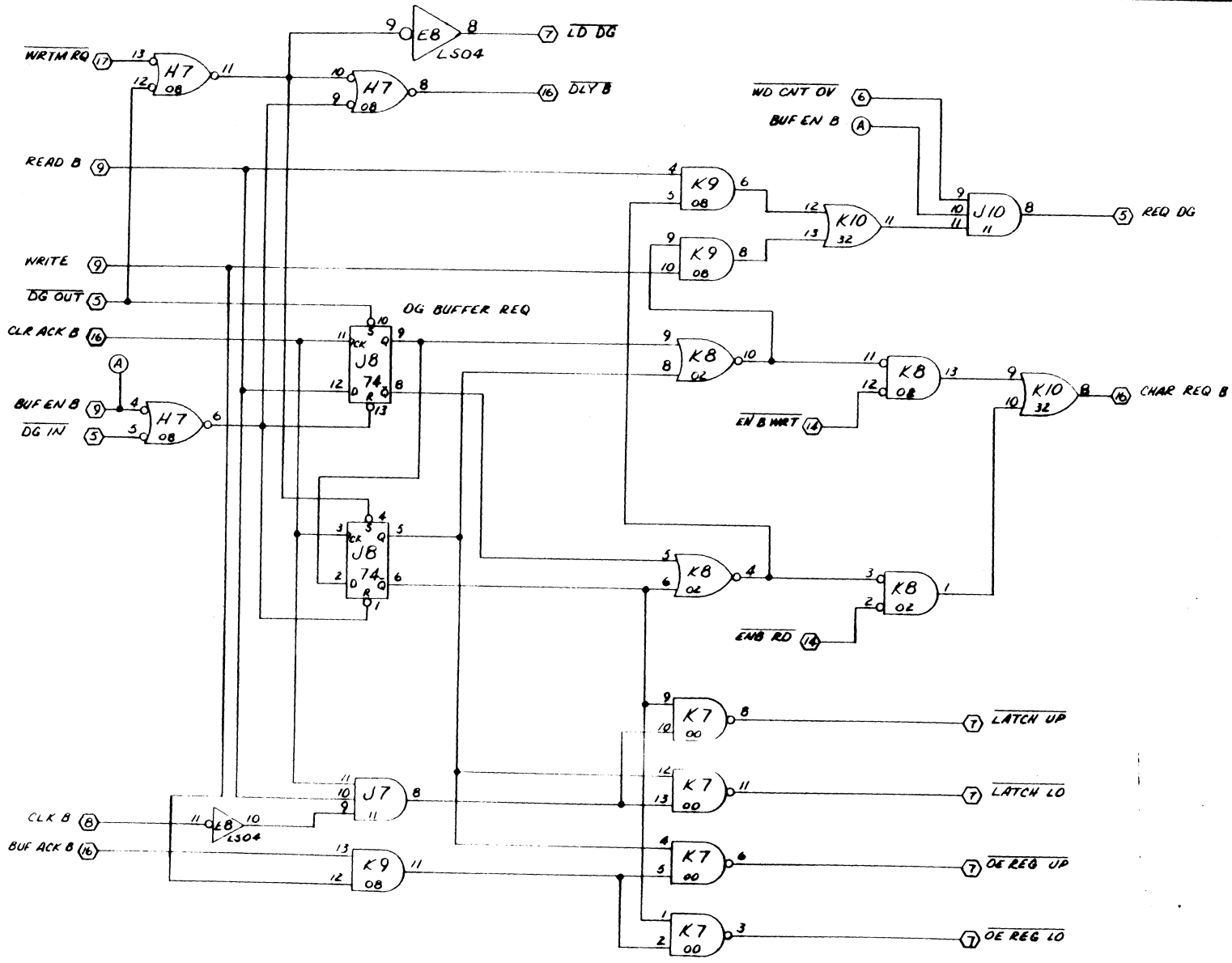
(SHEET 12)





© 1985 ZETACO  
 CUSTOMER SERVICE  
 1-800-451-1111

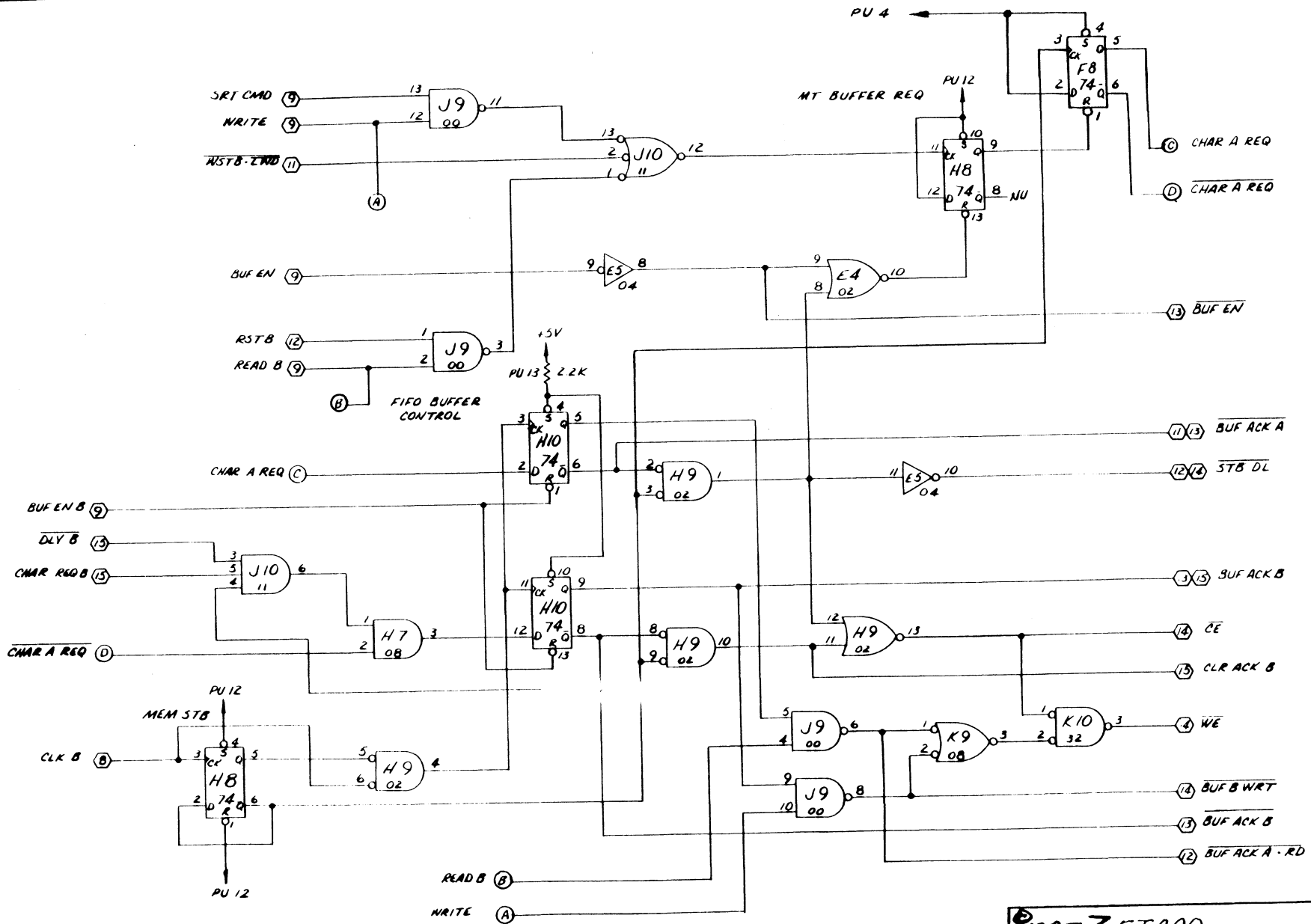
1985 ZETACO		REVISIONS	DATE
DRAWN BY	5-30-81		
CHECKED BY			
APPROVED BY			
SCALE:			
TITLE	EFC	DRAWING NUMBER	
	K10 BUFFER (CONT)	700-242-00B	



700242-000 B

1985 ZETACO			
DESIGNED BY ALS	DATE 3-18-81	REVISIONS	DATE
CHECKED BY			
APPROVED BY			
SCALE			
TITLE EFC BUFFER CONTROL		DRAWING NUMBER 700-242-00B	
(SHEET 15)			

© 1982  
 CUSTOM SYSTEMS, INC.



© 1985 ZETACO

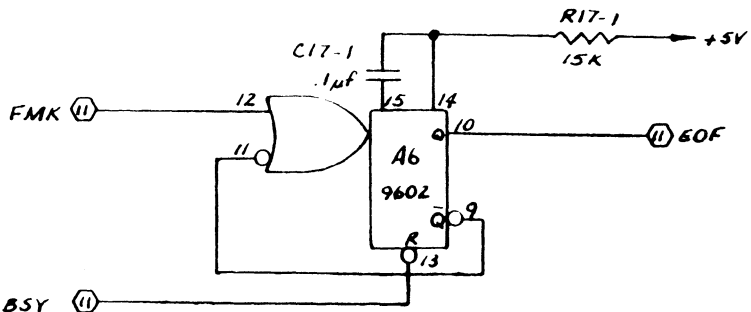
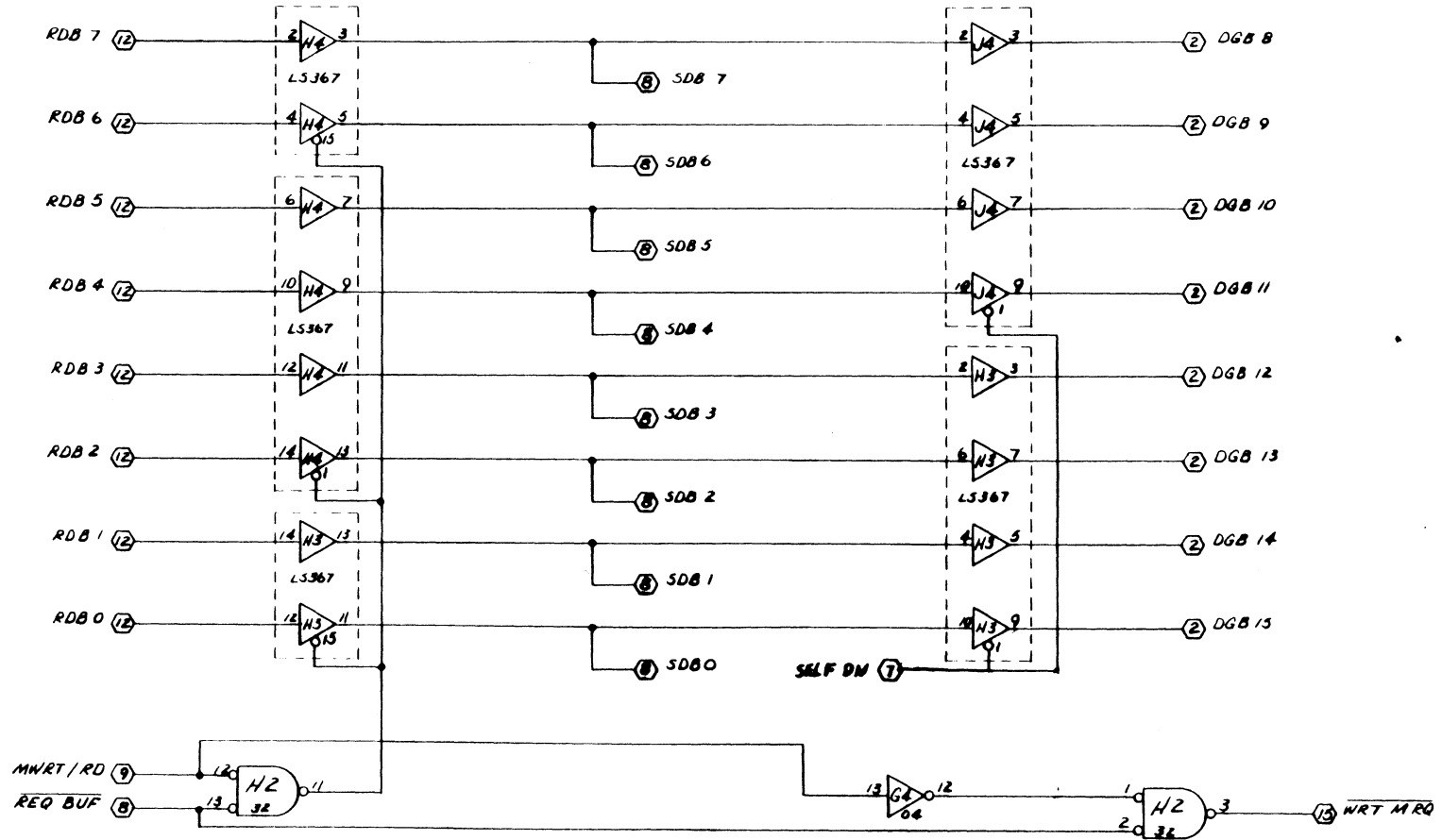
DESIGNED BY	DATE	REVISIONS	DATE
CHECKED BY	5/30/81		
APPROVED BY			
SCALE:			
TITLE	DRAWING NUMBER		
BUFFER CONTROL (CONT.)	T00-242-00B		

T00242-000 B

(SHEET 16)

© 1982  
CUSTOM SYSTEMS, INC.  
U.S.A.





**DISTRIBUTION CONTROL**

This device is a restricted instrument and is to be used only by those personnel authorized by the manufacturer. It is not to be used for any other purpose without the written consent of the manufacturer.

**CUSTOM SYSTEMS, INC.**  
MEMPHIS, TENNESSEE

**1985 ZETACO**

DESIGNED BY	DATE	REVISION	DATE
CHANGED BY			
CHECKED BY			
DATE			
TITLE: <b>EFC BUFFER MANT</b>		DRAWING NUMBER: <b>700-242-00B</b>	

**700242-000 B**

(SHEET 17)

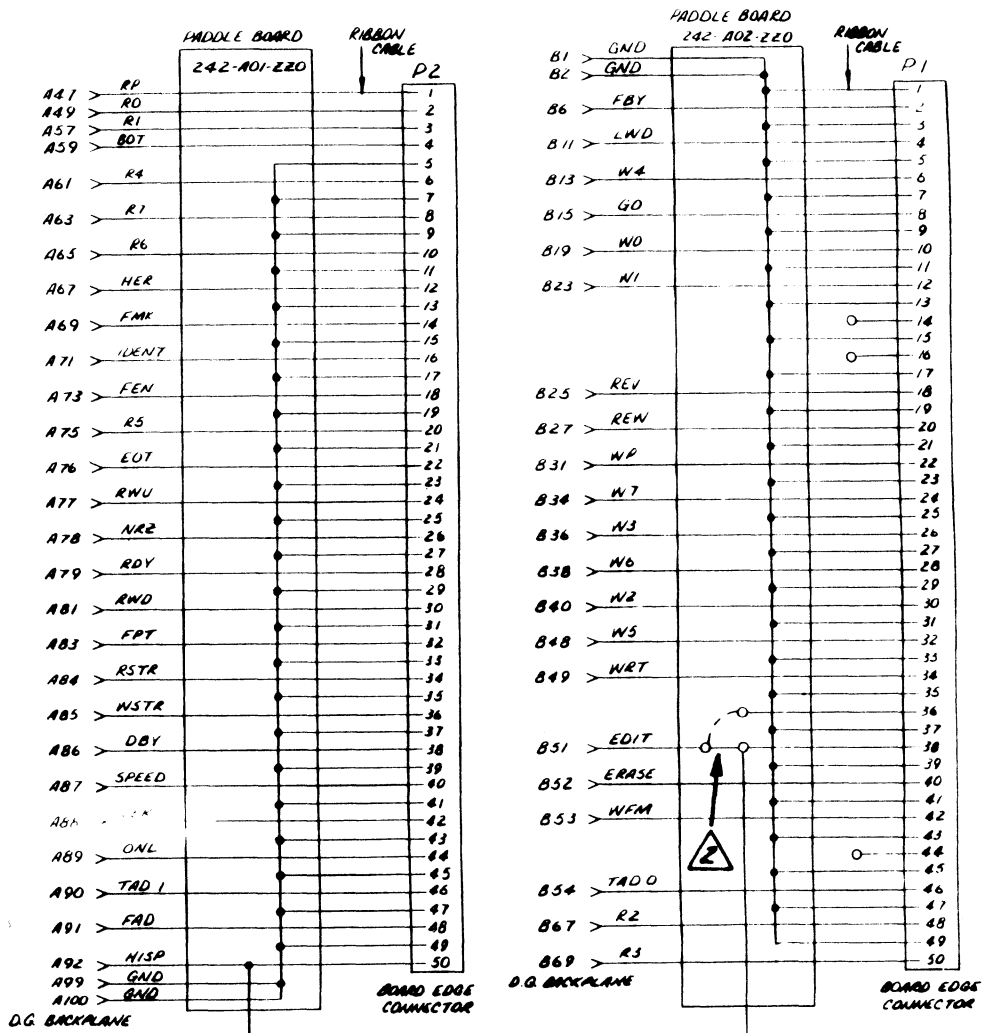
© 1982  
 CUSTOM SYSTEMS, INC.  
 U.S.A.

**B CONNECTOR**

EVEN	ODD		
2	GND	1	
4	+5V	3	
6	FBY	5	
8		7	
10		9	
12	LWD	11	
14	W4	13	
16	GO	15	
18	DCH MO	17	
20	MO	19	
22	DCH MI	21	
24	WI	23	
26	REV	25	
28	REW	27	
30	INTR	29	
32	NP	31	
34	W7	33	
36	W3	35	
38	W6	37	
40	W2	39	
42	OVFLD	41	
44	OVFLD	43	
46	+V INH	45	
48	W5	47	
50	GND	49	
52	ERASE	51	
54	TAD O	53	
56	DATA 14	DATA 7	55
58	DATA 11	DATA 3	57
60	DATA 8	DATA 12	59
62	DATA 0	DATA 4	61
64	DATA 13	DATA 9	63
66	DATA 15	DATA 1	65
68		R2	67
70		R2	69
72			71
74		DATA 3	73
76		DATA 10	75
78			77
80	DATA 2		79
82	-5V		81
84	-V INH		83
86			85
88			87
90	GND		89
92			91
94			93
96	DATA 6		95
98	+5V		97
100	GND		99

**A CONNECTOR**

EVEN	ODD		
2	GND	1	
4	+5V	3	
6	-5V	5	
8	+V INH	7	
10		9	
12		11	
14		13	
16		15	
18		17	
20		19	
22		21	
24		23	
26		25	
28		27	
30		29	
32		31	
34	GND	GND	33
36			35
38			37
40	INTA		39
42	DATA		41
44	DATA		43
46	DS		45
48	DATA	RP	47
50	CLR	RO	49
52	STAT		51
54	DATIC		53
56	DATOB		55
58	DATOA	RI	57
60	DCHA	ROT	59
62	DS 4	R4	61
64	DS 3	RT	63
66	DS 2	R6	65
68	DS 1	HER	67
70	IOAST	FMK	69
72	DSO	'IDENT	71
74	IOPLS	FEN	73
76	EOT	RS	75
78	NRE	RWU	77
80	SELB	RDV	79
82	SELB	RWD	81
84	RSTR	FPT	83
86	DBY	WSTR	85
88	CER	SPEED	87
90	TAD I	QAL	89
92	HISP	FAD	91
94	DCHP IN	DCHP OUT	93
96	INTR IN	INTR OUT	95
98	+5V		97
100	GND		99



**NOTES:**

- △ OPTIONAL WIRE FOR KENNEDY DRIVE.
- △ CUT JUMPER FOR CDC GCR DRIVE

**9985 ZETACO**

DESIGNED BY	DATE	REVISION	DATE
APPROVED BY			
TITLE: EFC CABLE DIAGRAM		DRAWING NUMBER: 700-242-100	

© 1982  
CUSTOM SYSTEMS, INC.  
U.S.A.