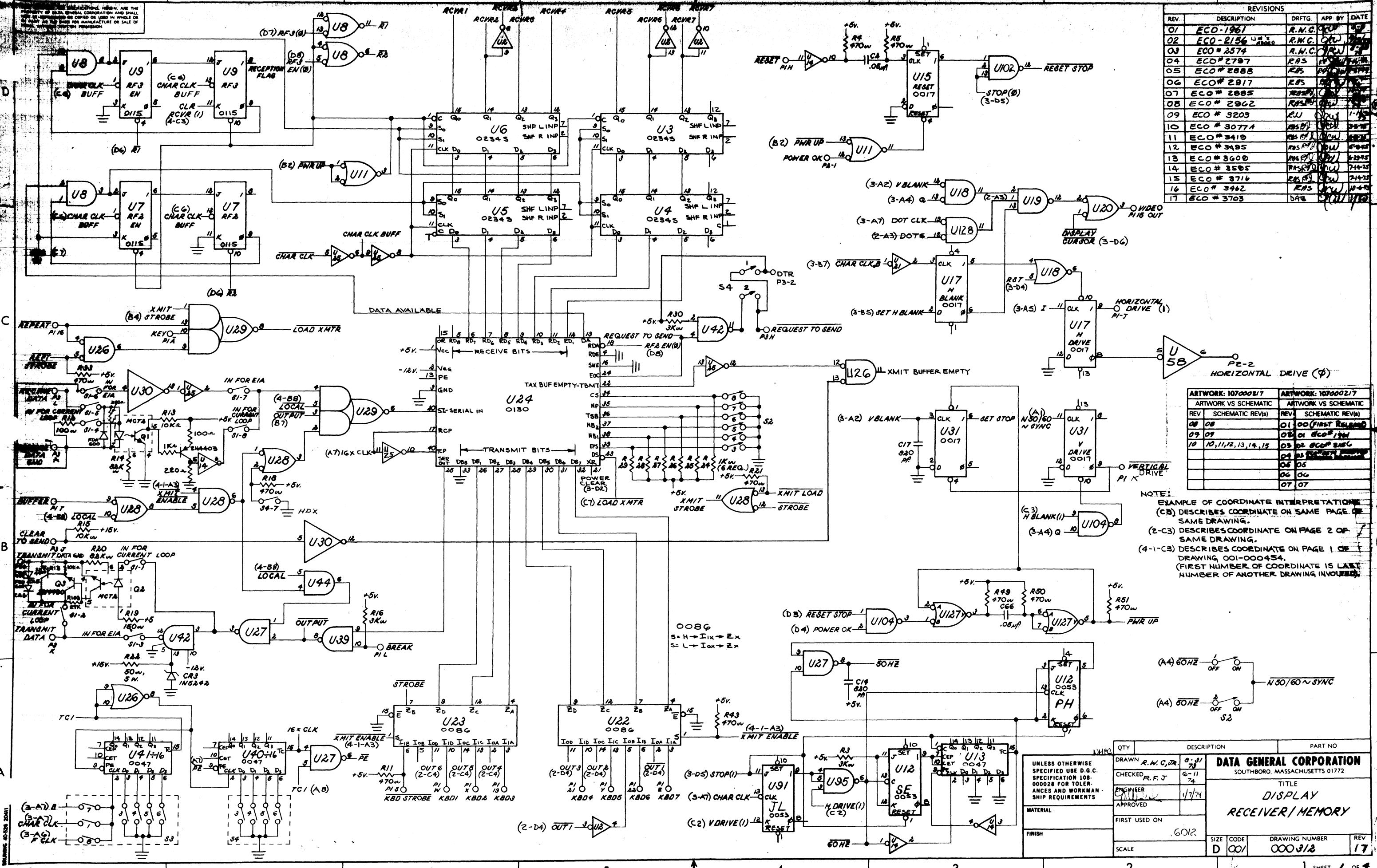


THE INFORMATION HEREIN, AND THE DESIGN AND CONSTRUCTION THEREOF, ARE THE PROPERTY OF DATA GENERAL CORPORATION AND SHALL BE KEPT SECRET AND NOT BE COPIED OR USED IN WHOLE OR IN PART FOR ANY PURPOSES OTHER THAN THAT AUTHORIZED BY DATA GENERAL CORPORATION.



REVISIONS				
REV.	DESCRIPTION	DRFTG	APP BY	DATE
01	ECO-1961	R.N.C.	OK	1/28
02	ECO-2156	R.N.C.	OK	2/11
03	ECO # 2574	R.N.C.	OK	2/11
04	ECO # 2797	R.F.S.	OK	3/11
05	ECO # 2888	R.F.S.	OK	3/11
06	ECO # 2917	R.F.S.	OK	3/11
07	ECO # 2885	R.N.C.	OK	3/11
08	ECO # 2962	R.F.S.	OK	3/11
09	ECO # 3203	R.U.	OK	1/18
10	ECO # 3077A	R.F.S.	OK	3/11
11	ECO # 3419	R.F.S.	OK	3/11
12	ECO # 3495	R.F.S.	OK	3/11
13	ECO # 3608	R.F.S.	OK	3/11
14	ECO # 3595	R.F.S.	OK	7/14-25
15	ECO # 3716	R.F.S.	OK	7/14-25
16	ECO # 3462	R.F.S.	OK	10-4-82
17	ECO # 3703	DAZ	OK	1/1/83

ARTWORK: 1070002/7		ARTWORK: 1070002/7	
REV	SCHEMATIC REV(S)	REV	SCHEMATIC REV(S)
08	08	01	00 (FIRST RELEASE)
09	09	02	01 ECO # 1961
10	10, 11, 12, 13, 14, 15	03	02 ECO # 2156
		04	03 ECO # 2574
		05	04
		06	05
		07	06

NOTE:
 EXAMPLE OF COORDINATE INTERPRETATION:
 (C3) DESCRIBES COORDINATE ON SAME PAGE OF SAME DRAWING.
 (2-C3) DESCRIBES COORDINATE ON PAGE 2 OF SAME DRAWING.
 (4-1-C3) DESCRIBES COORDINATE ON PAGE 1 OF DRAWING 001-000434.
 (FIRST NUMBER OF COORDINATE IS LAST NUMBER OF ANOTHER DRAWING INVOLVED).

QTY	DESCRIPTION	PART NO
1	U12	0017
1	U13	0017
1	U17	0017
1	U18	0017
1	U19	0017
1	U20	0017
1	U23	0017
1	U24	0017
1	U27	0017
1	U28	0017
1	U29	0017
1	U30	0017
1	U31	0017
1	U33	0017

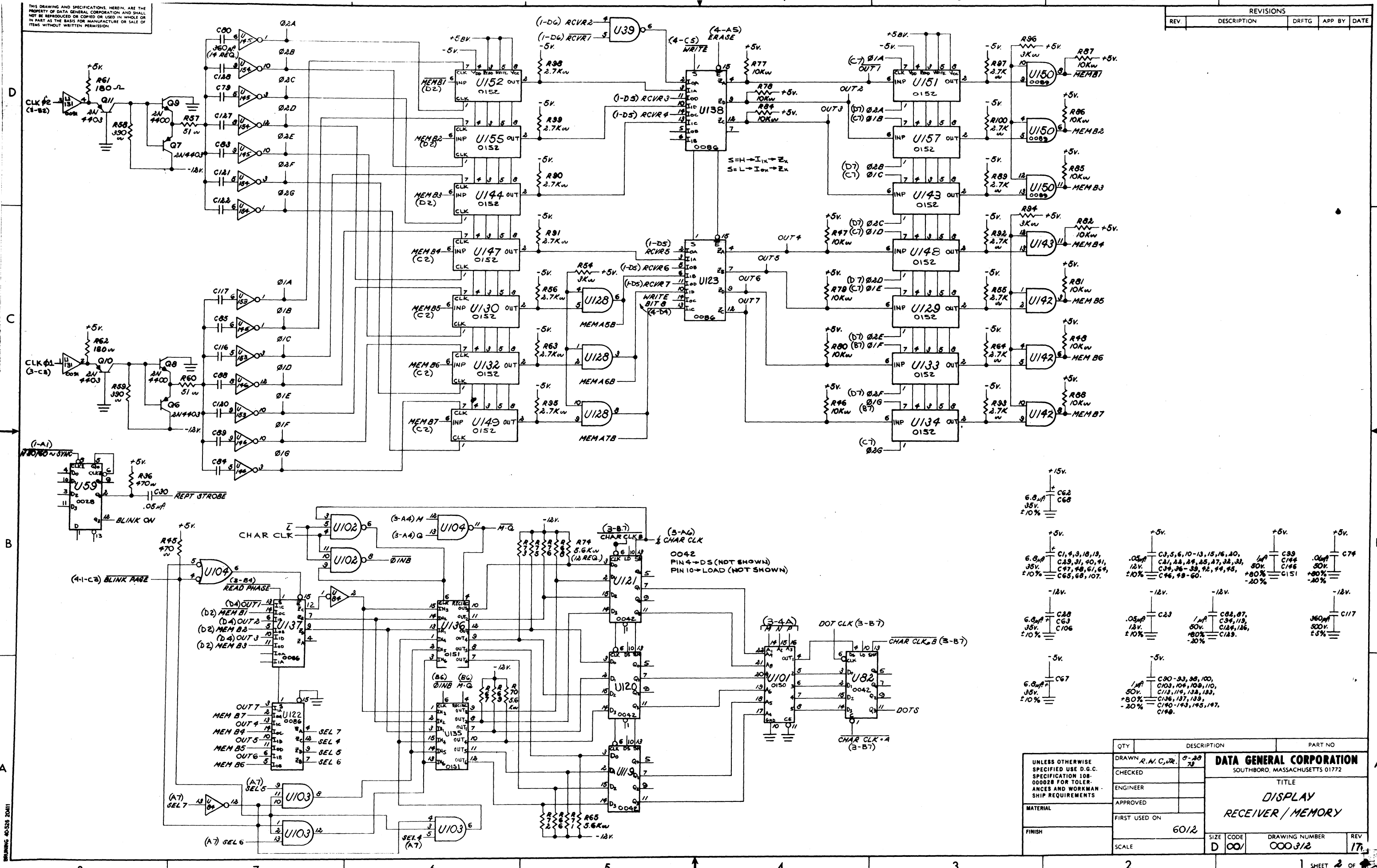
UNLESS OTHERWISE SPECIFIED USE D.G.C. SPECIFICATION 108-00028 FOR TOLERANCES AND WORKMANSHIP REQUIREMENTS		DATA GENERAL CORPORATION SOUTHBORO, MASSACHUSETTS 01772	
DRAWN R.N.C. DR. 8-91		TITLE DISPLAY RECEIVER/MEMORY	
CHECKED R.F.J. 6-11		SIZE CODE D 001	
ENGINEER [Signature] 1/74		DRAWING NUMBER 000312	
APPROVED		REV 17	
FIRST USED ON		SCALE	
6012			

REVISED 4-28-82 20411

1 SHEET OF 4

THIS DRAWING AND SPECIFICATIONS HEREIN ARE THE PROPERTY OF DATA GENERAL CORPORATION AND SHALL NOT BE REPRODUCED OR COPIED OR USED IN WHOLE OR IN PART AS THE BASIS FOR MANUFACTURE OR SALE OF ITEMS WITHOUT WRITTEN PERMISSION

REVISIONS				
REV	DESCRIPTION	DRFTG	APP BY	DATE



+15V 6.8µF ±10% C62, C68	+5V 6.8µF ±10% C1, 2, 3, 18, 19, C23, 31, 40, 41, C38, 39, 42, 44, 45, C65, 68, 107	+5V 0.05µF ±10% C3, 5, 6, 10-13, 15, 16, 20, C21, 22, 24, 25, 27, 32, 33, C35, 36-38, 42, 44, 45, C46, 49-60	+5V 1µF ±20% C89, C144, C146, C151	+5V 0.01µF ±20% C74
-12V 6.8µF ±10% C28, C63, C106	-12V 0.05µF ±10% C23	-12V 1µF ±20% C82, 87, C94, 113, C124, 126, C129	-12V 360µF ±5% C117	-12V
-5V 6.8µF ±10% C67	-5V 1µF ±20% C90-93, 98, 100, C103, 104, 109, 110, C113, 115, 132, 133, C136, 137, 138, C140-143, 145, 147, C148			

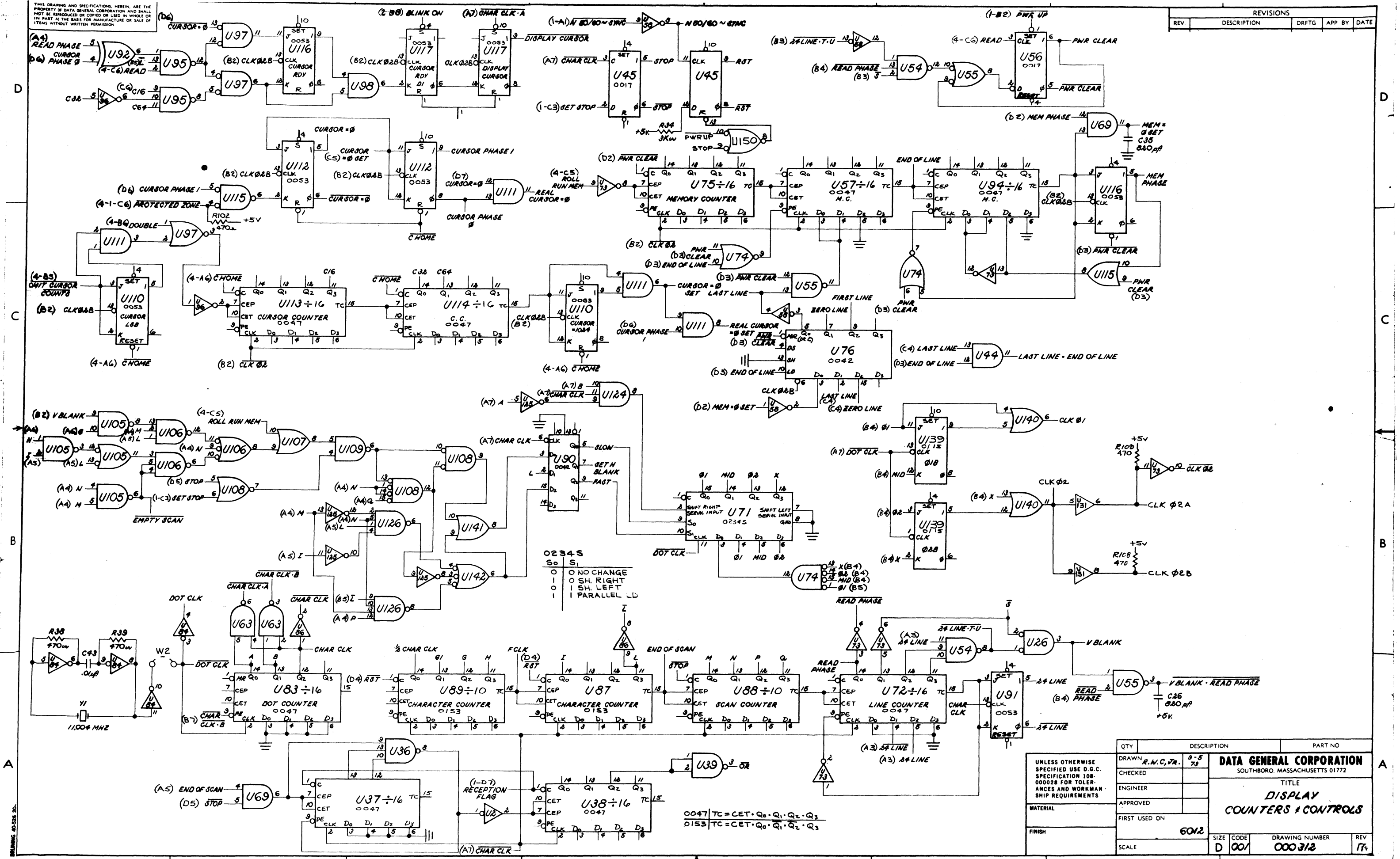
QTY	DESCRIPTION	PART NO

UNLESS OTHERWISE SPECIFIED USE D.G.C. SPECIFICATION 108-00088 FOR TOLERANCES AND WORKMANSHIP REQUIREMENTS	DRAWN R.A.C./R. 5-20 79 CHECKED ENGINEER APPROVED FIRST USED ON SCALE	DATA GENERAL CORPORATION SOUTHBORO, MASSACHUSETTS 01772 TITLE DISPLAY RECEIVER / MEMORY SIZE CODE D 00/ DRAWING NUMBER 000312 REV 17
---	--	---

DRAWING 40-338 2041

THIS DRAWING AND SPECIFICATIONS, HEREIN, ARE THE PROPERTY OF DATA GENERAL CORPORATION AND SHALL NOT BE REPRODUCED OR COPIED OR USED IN WHOLE OR IN PART AS THE BASIS FOR MANUFACTURE OR SALE OF ITEMS WITHOUT WRITTEN PERMISSION.

REVISIONS				
REV	DESCRIPTION	DRFTG	APP BY	DATE



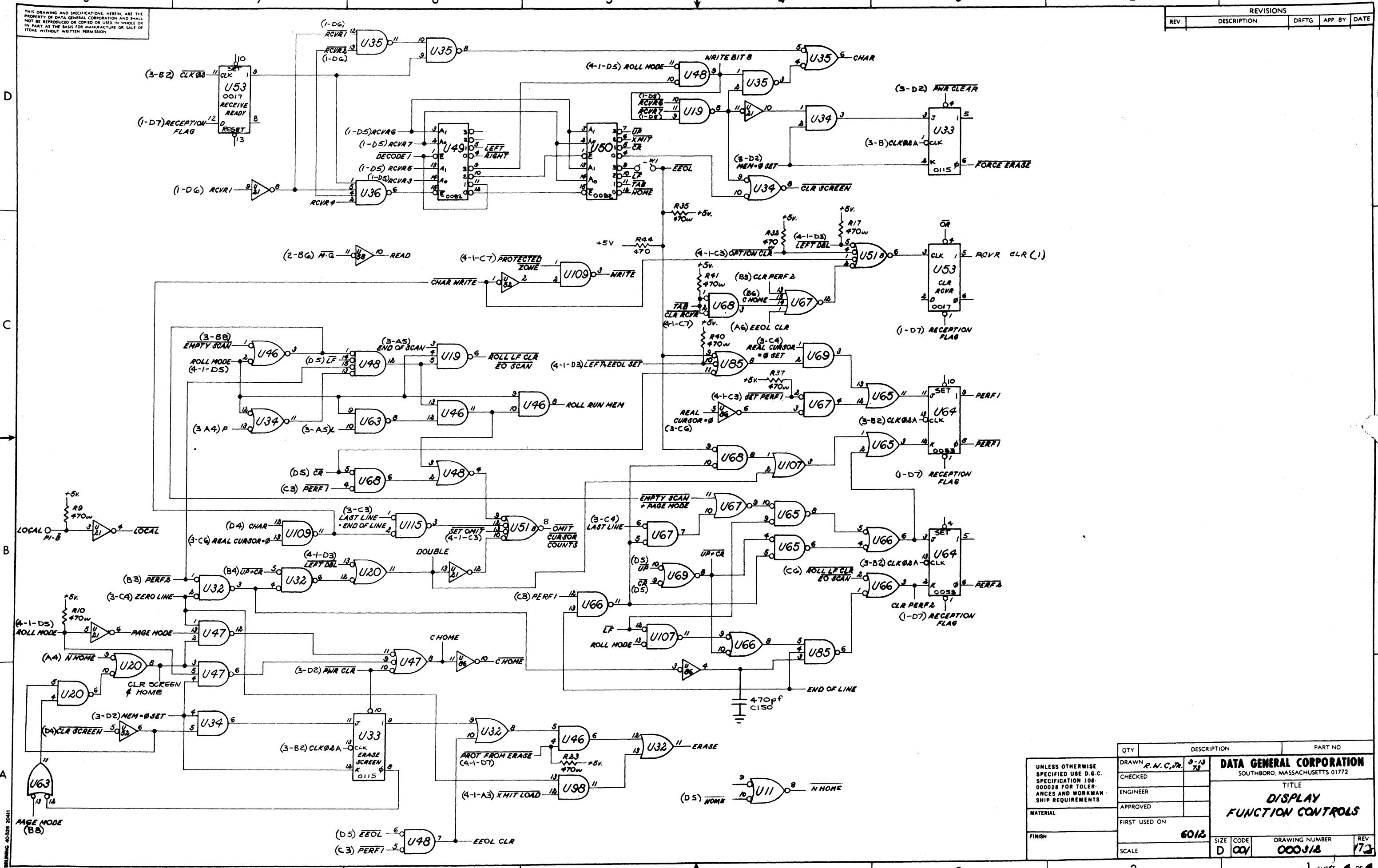
0	NO CHANGE
1	SH. RIGHT
0	SH. LEFT
1	PARALLEL LD

$0047 \text{ TC} = \text{CET} \cdot Q_0 \cdot Q_1 \cdot Q_2 \cdot Q_3$
 $0153 \text{ TC} = \text{CET} \cdot Q_0 \cdot Q_1 \cdot Q_2 \cdot Q_3$

QTY	DESCRIPTION	PART NO
UNLESS OTHERWISE SPECIFIED USE D.G.C. SPECIFICATION 108-00028 FOR TOLERANCES AND WORKMANSHIP REQUIREMENTS		
DRAWN	R.N.C./J.R.	9-5 79
CHECKED		
ENGINEER		
APPROVED		
FIRST USED ON		
MATERIAL		
FINISH		
SCALE		
DATA GENERAL CORPORATION SOUTHBORO, MASSACHUSETTS 01772		
TITLE DISPLAY COUNTERS & CONTROLS		
6012		
SIZE	CODE	DRAWING NUMBER
D	001	000312
REV		175

THIS DRAWING AND SPECIFICATIONS, HEREIN, ARE THE PROPERTY OF DATA GENERAL CORPORATION AND SHALL NOT BE REPRODUCED OR COPIED OR USED IN WHOLE OR IN PART AS THE BASIS FOR MANUFACTURE OR SALE OF ITEMS WITHOUT WRITTEN PERMISSION.

REVISIONS				
REV.	DESCRIPTION	DRFTG	APP BY	DATE



UNLESS OTHERWISE SPECIFIED USE D.G.C. SPECIFICATION 108-000028 FOR TOLERANCES AND WORKMANSHIP REQUIREMENTS	QTY	DESCRIPTION	PART NO
	DRAWN	R. W. C. JR.	9-13-72
	CHECKED		
	ENGINEER		
MATERIAL	APPROVED		
	FIRST USED ON	6012	
FINISH	SCALE		
	SIZE	CODE	D 00
DRAWING NUMBER		000318	REV 173

BRUNING 40-526 20411