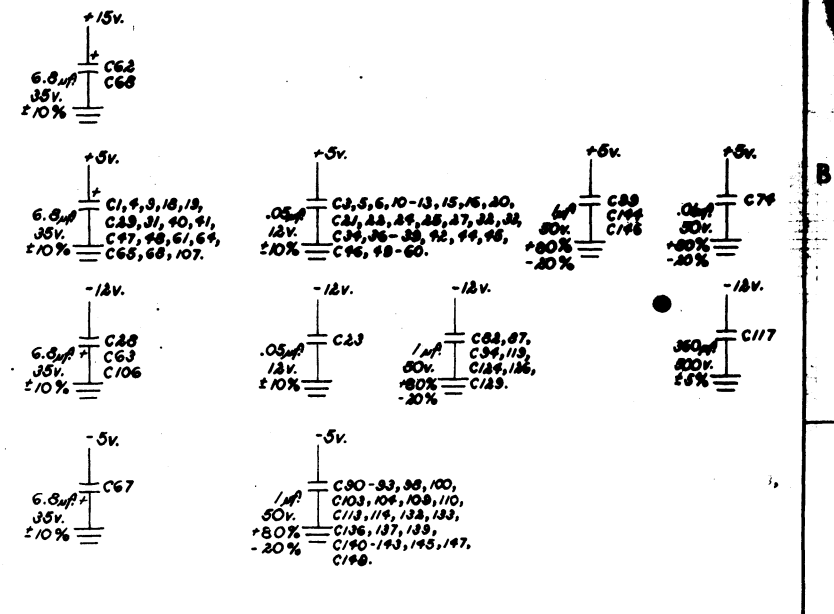
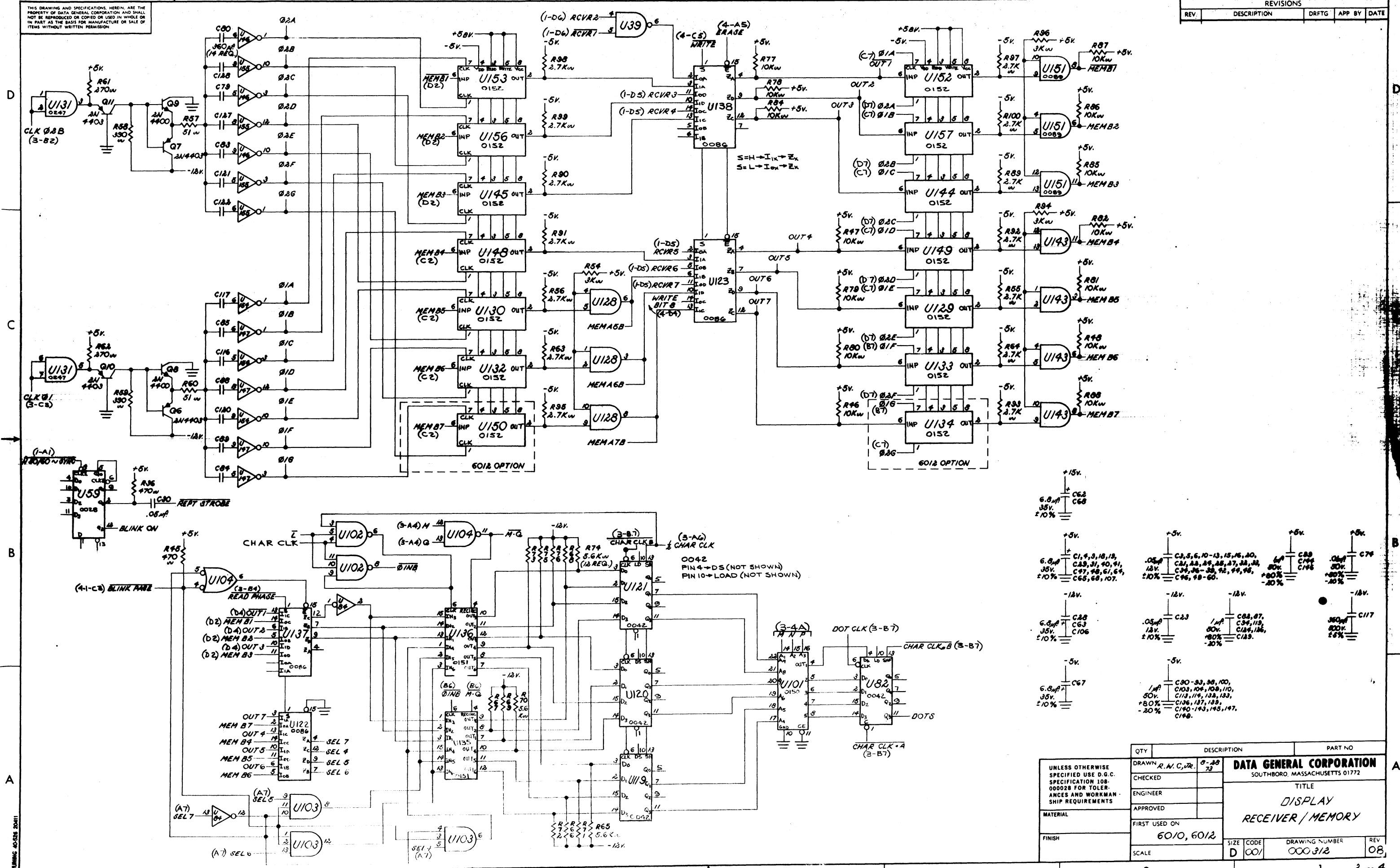




THIS DRAWING AND SPECIFICATIONS HEREIN, ARE THE PROPERTY OF DATA GENERAL CORPORATION AND SHALL NOT BE REPRODUCED OR COPIED OR USED IN WHOLE OR IN PART AS THE BASIS FOR MANUFACTURE OR SALE OF ITEMS WITHOUT WRITTEN PERMISSION.

| REVISIONS |             |       |        |      |
|-----------|-------------|-------|--------|------|
| REV.      | DESCRIPTION | DRFTG | APP BY | DATE |
|           |             |       |        |      |



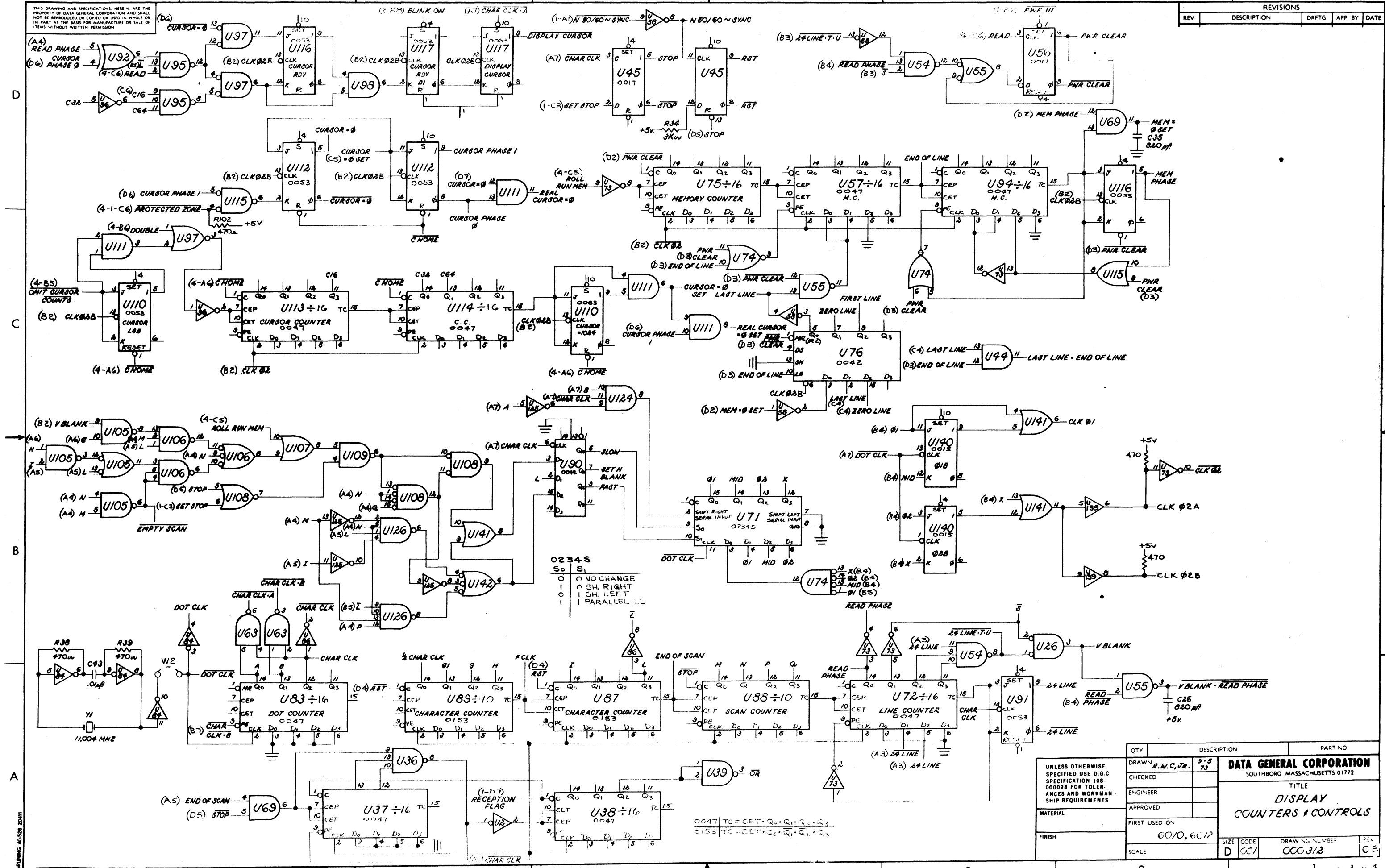
| QTY | DESCRIPTION | PART NO |
|-----|-------------|---------|
|     |             |         |

|   |  |  |  |
|---|--|--|--|
| UNLESS OTHERWISE SPECIFIED USE D.G.C. SPECIFICATION 108-00028 FOR TOLERANCES AND WORKMANSHIP REQUIREMENTS |  | DRAWN R.A.C. 9-80 73                                       |  |
| CHECKED   |  | DATA GENERAL CORPORATION<br>SOUTHBORO, MASSACHUSETTS 01772 |  |
| ENGINEER  |  | TITLE  |  |
| APPROVED  |  | DISPLAY<br>RECEIVER / MEMORY                               |  |
| MATERIAL  |  | FIRST USED ON  |  |
| FINISH  |  | 6010, 6012   |  |
|   |  | SCALE  |  |
|   |  | SIZE   |  |
|   |  | CODE   |  |
|   |  | DRAWING NUMBER   |  |
|   |  | 000312   |  |
|   |  | REV  |  |
|   |  | 08   |  |

THIS DRAWING AND SPECIFICATIONS HEREIN ARE THE PROPERTY OF DATA GENERAL CORPORATION AND SHALL NOT BE REPRODUCED OR COPIED OR USED IN WHOLE OR IN PART AS THE BASIS FOR MANUFACTURE OR SALE OF ITEMS WITHOUT WRITTEN PERMISSION

| REVISIONS |             |       |             |
|-----------|-------------|-------|-------------|
| REV.      | DESCRIPTION | DRFTG | APP BY DATE |
|           |             |       |             |



| QTY | DESCRIPTION | PART NO |
|-----|-------------|---------|
|     |             |         |

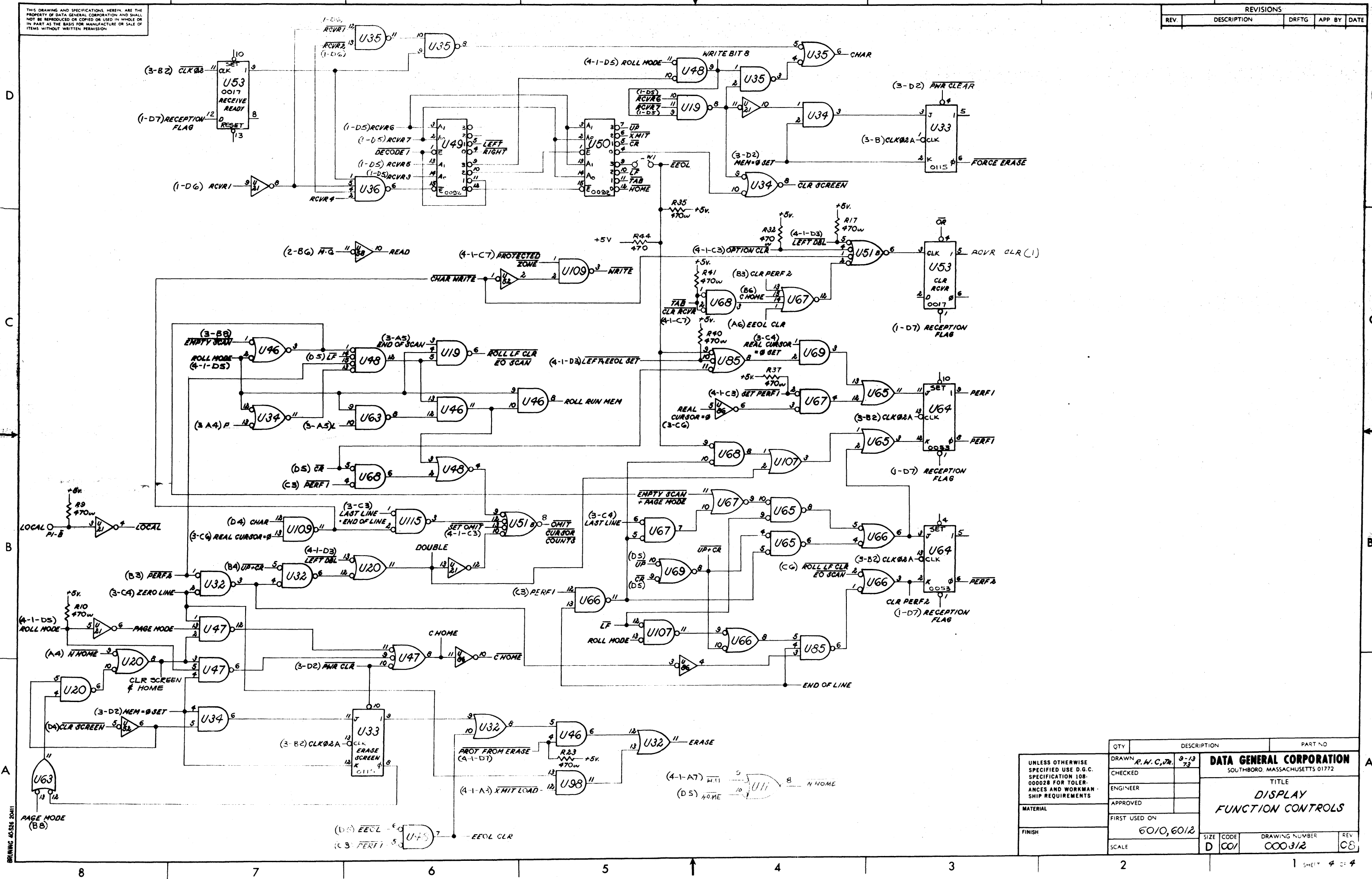
  

|   |               |             |     |   |
|---|---------------|-------------|-----|---|
| UNLESS OTHERWISE SPECIFIED USE D.G.C. SPECIFICATION 100-00028 FOR TOLERANCES AND WORKMANSHIP REQUIREMENTS | DRAWN         | R.W.C./V.R. | 9-5 | <b>DATA GENERAL CORPORATION</b><br>SOUTHBORO, MASSACHUSETTS 01772<br><br><b>TITLE</b><br><b>DISPLAY COUNTERS &amp; CONTROLS</b> |
|   | CHECKED       |             | 79  |   |
|   | ENGINEER      |             |     |   |
|   | APPROVED      |             |     |   |
| MATERIAL  | FIRST USED ON | 6010, 6012  |     |   |
| FINISH  | SCALE         | D           | CC1 | DRAWING NUMBER<br><b>CCC 312</b>  |
|   |               |             |     | REV<br>C  |

DRAWING 40-228 20411

THIS DRAWING AND SPECIFICATIONS HEREIN ARE THE PROPERTY OF DATA GENERAL CORPORATION AND SHALL NOT BE REPRODUCED OR COPIED OR USED IN WHOLE OR IN PART AS THE BASIS FOR MANUFACTURE OR SALE OF ITEMS WITHOUT WRITTEN PERMISSION

| REVISIONS |             |       |        |      |
|-----------|-------------|-------|--------|------|
| REV.      | DESCRIPTION | DRFTG | APP BY | DATE |
|           |             |       |        |      |



| QTY | DESCRIPTION | PART NO |
|-----|-------------|---------|
|     |             |         |

|  |               |              |          |   |
|--|---------------|--------------|----------|---|
| UNLESS OTHERWISE SPECIFIED USE D.G.C. SPECIFICATION 108-000028 FOR TOLERANCES AND WORKMANSHIP REQUIREMENTS | DRAWN         | R. W. C. JR. | 9-13-73  | <b>DATA GENERAL CORPORATION</b><br>SOUTHBORO, MASSACHUSETTS 01772<br><br><b>TITLE</b><br><b>DISPLAY</b><br><b>FUNCTION CONTROLS</b> |
|  | CHECKED       |              |          |   |
|  | ENGINEER      |              |          |   |
|  | APPROVED      |              |          |   |
| MATERIAL   |               |              |          |   |
| FINISH   |               |              |          |   |
|  | FIRST USED ON | 6010, 6012   |          |   |
|  | SCALE         |              |          |   |
|  |               | SIZE D       | CODE COI | DRAWING NUMBER 000312   |
|  |               |              |          | REV C8  |

DRAWING 40-532 20411