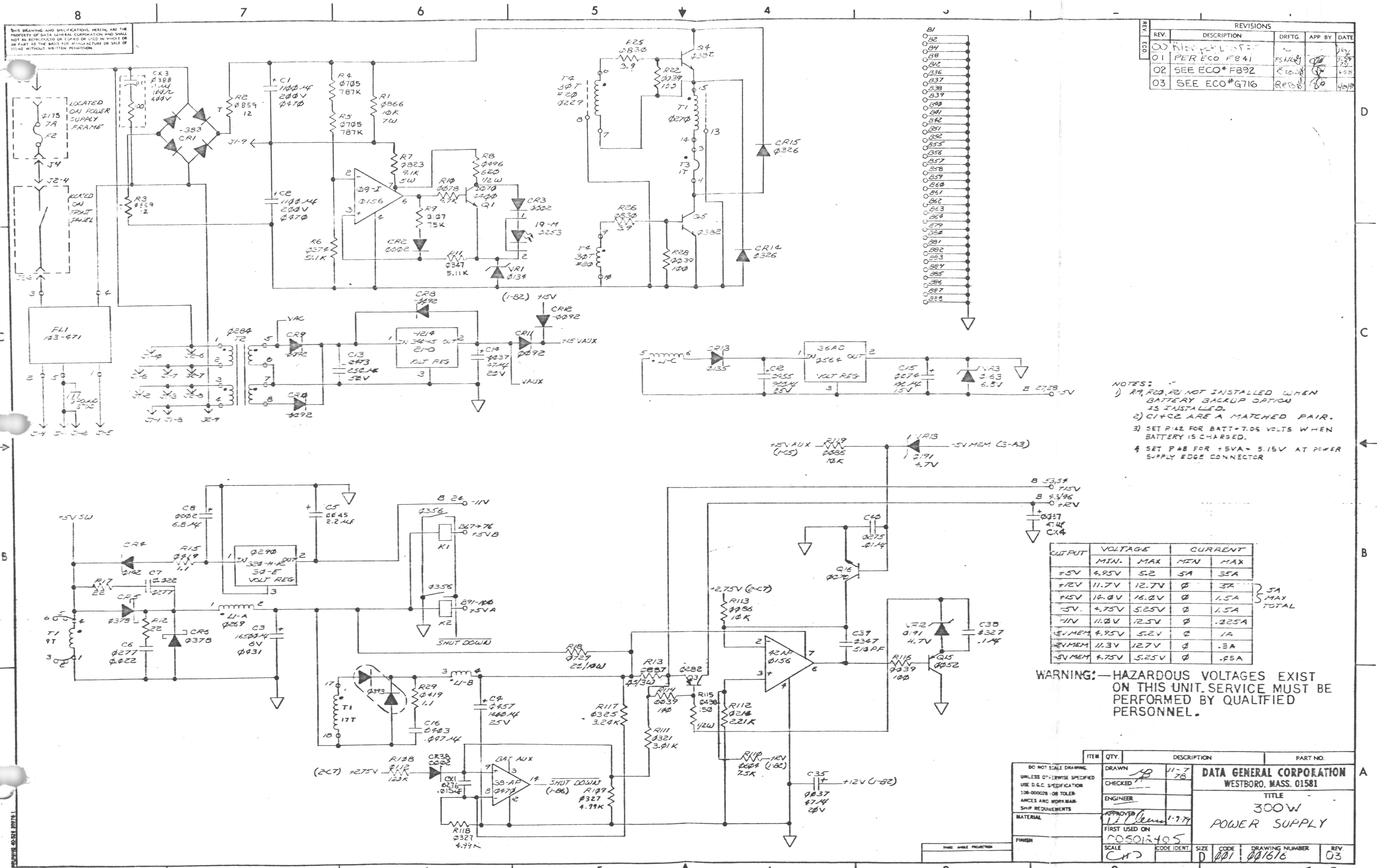


THIS DRAWING AND SPECIFICATIONS HEREIN ARE THE PROPERTY OF DATA GENERAL CORPORATION AND SHALL NOT BE REPRODUCED OR COPIED OR USED IN WHOLE OR IN PART AS THE BASIS FOR MANUFACTURE OR SALE OF ITEMS WITHOUT WRITTEN PERMISSION.

| REVISIONS | | | | |
|-----------|-----------------------|--------|--------|------|
| REV. | DESCRIPTION | DRFTG. | APP BY | DATE |
| 00 | REVISED PER ECO# F841 | FSAL | WJ | 7-25 |
| 01 | PER ECO# F841 | FSAL | WJ | 7-25 |
| 02 | SEE ECO# F892 | REP | WJ | 4-57 |
| 03 | SEE ECO# G716 | REP | WJ | 4-57 |



- NOTES:
- 1) R1, R2, R3 NOT INSTALLED WHEN BATTERY BACKUP OPTION IS INSTALLED.
 - 2) C1/C2 ARE A MATCHED PAIR.
 - 3) SET R142 FOR BATT = 7.05 VOLTS WHEN BATTERY IS CHARGED.
 - 4) SET R148 FOR +5VA = 5.15V AT POWER SUPPLY EDGE CONNECTOR.

| OUTPUT | VOLTAGE | | CURRENT | |
|----------|---------|-------|---------|-------|
| | MIN. | MAX. | MIN. | MAX. |
| +5V | 4.95V | 5.2 | 5A | 35A |
| +12V | 11.7V | 12.7V | 0 | 3A |
| +15V | 14.0V | 16.0V | 0 | 1.5A |
| -5V | 4.75V | 5.25V | 0 | 1.5A |
| -11V | 11.0V | 12.5V | 0 | 0.25A |
| +5V MEM | 4.95V | 5.2V | 0 | 1A |
| +12V MEM | 11.3V | 12.7V | 0 | 0.3A |
| -5V MEM | 4.75V | 5.25V | 0 | 0.5A |

5A MAX TOTAL

WARNING:—HAZARDOUS VOLTAGES EXIST ON THIS UNIT. SERVICE MUST BE PERFORMED BY QUALIFIED PERSONNEL.

| ITEM | QTY. | DESCRIPTION | PART NO. |
|--|------|-------------|----------|
| DO NOT SCALE DRAWING. | | | |
| UNLESS OTHERWISE SPECIFIED | | | |
| USE D.C.C. SPECIFICATION | | | |
| 100-00028 OR TOLERANCES AND WORKMANSHIP REQUIREMENTS | | | |
| MATERIAL | | | |
| FINISH | | | |
| DRAWN: <i>WJ</i> 11-776 | | | |
| CHECKED: <i>WJ</i> | | | |
| ENGINEER: <i>WJ</i> | | | |
| APPROVED: <i>WJ</i> 1-777 | | | |
| FIRST USED ON: 05012405 | | | |
| SCALE: <i>1:1</i> | | | |
| CODE IDENT: <i>D</i> | | | |
| SIZE: <i>11</i> | | | |
| DRAWING NUMBER: <i>001616</i> | | | |
| REV. <i>03</i> | | | |

DATA GENERAL CORPORATION
WESTBORO, MASS. 01581

TITLE
300W
POWER SUPPLY

THIS IS THE PROJECT

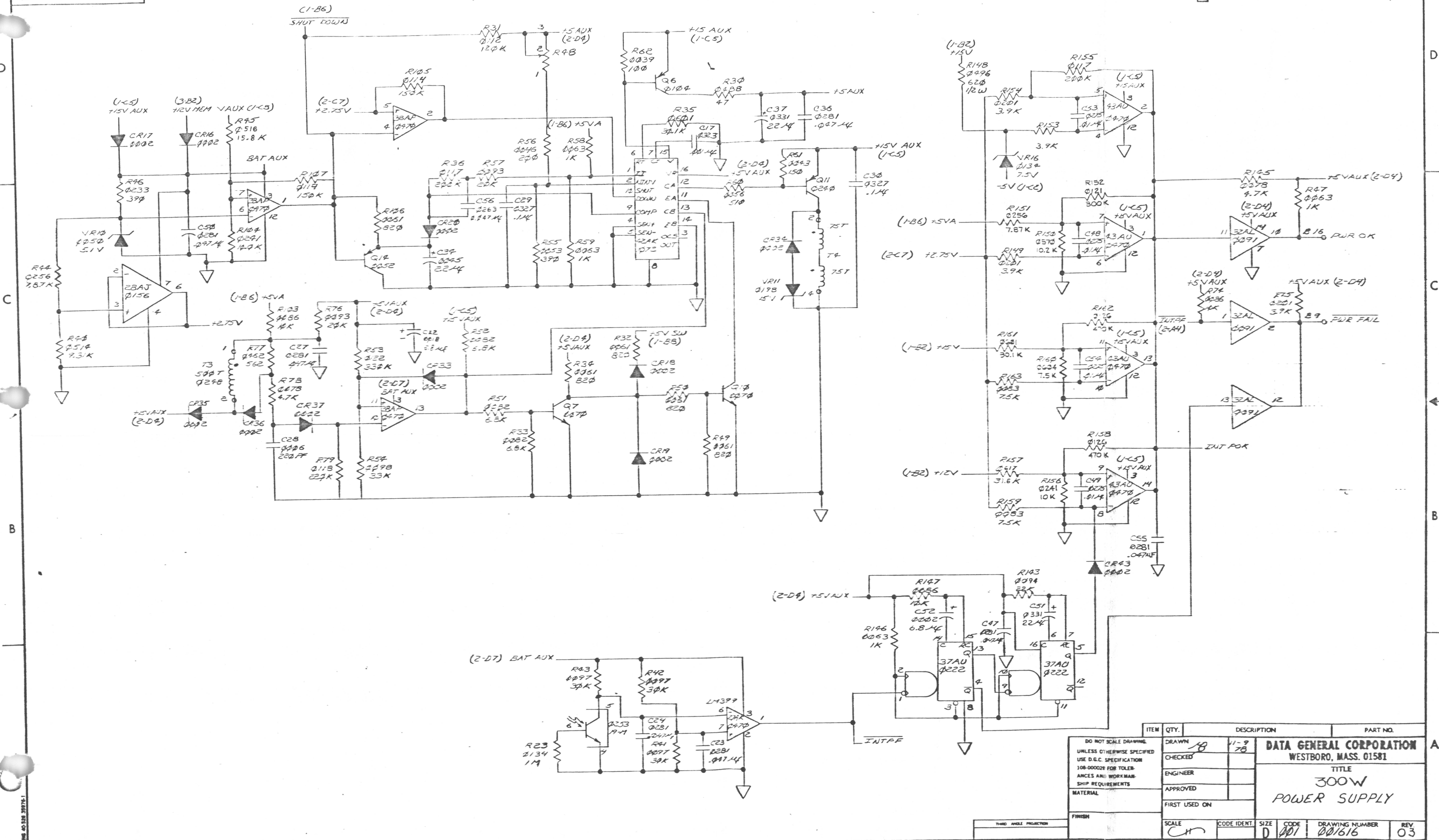
A

1

SHEET 1 OF 3

THIS DRAWING AND SPECIFICATIONS, HEREIN, ARE THE PROPERTY OF DATA GENERAL CORPORATION AND SHALL NOT BE REPRODUCED OR COPIED OR USED IN WHOLE OR IN PART AS THE BASIS FOR MANUFACTURE OR SALE OF ITEMS WITHOUT WRITTEN PERMISSION.

| REVISIONS | | | |
|-----------|-------------|--------|---------|
| REV. | DESCRIPTION | DRFTG. | APP. BY |
| | | | |

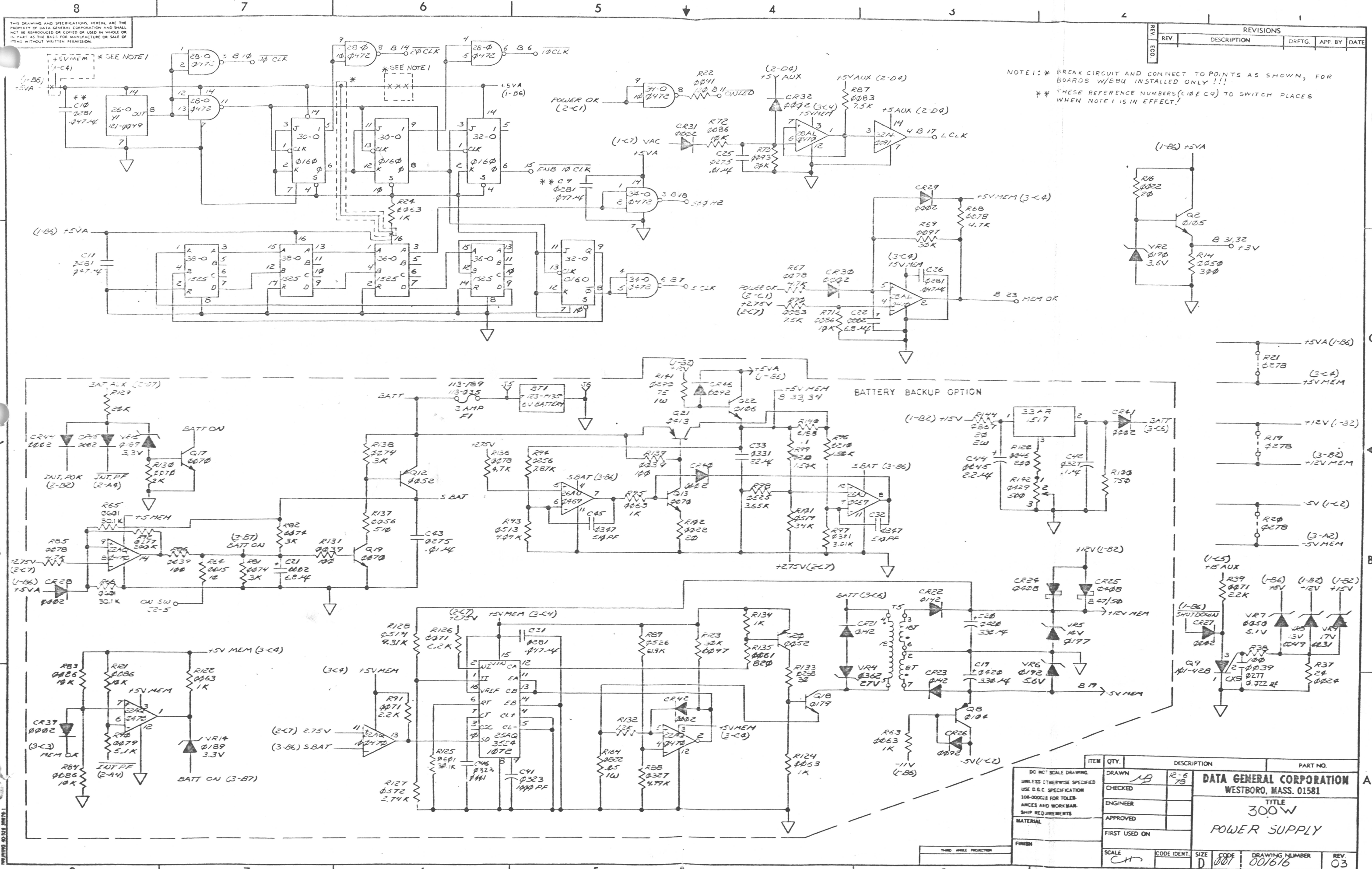


| ITEM | QTY. | DESCRIPTION | PART NO. |
|------|------|-------------|----------|
| | | | |

| | | | |
|---|--|--|-----------------|
| DO NOT SCALE DRAWING UNLESS OTHERWISE SPECIFIED USE D.G.C. SPECIFICATION 108-00002 FOR TOLERANCES AND WORKMANSHIP REQUIREMENTS | | DRAWN 18 CHECKED ENGINEER APPROVED FIRST USED ON | DATE 11-9 78 |
| MATERIAL | | FINISH | |
| SCALE CH | | CODE IDENT. | SIZE D |
| DRAWING NUMBER 001616 | | REV. 03 | |

DATA GENERAL CORPORATION
WESTBORO, MASS. 01581

TITLE
**300W
POWER SUPPLY**



THIS DRAWING AND SPECIFICATIONS, HEREIN, ARE THE PROPERTY OF DATA GENERAL CORPORATION AND SHALL NOT BE REPRODUCED OR COPIED OR USED IN WHOLE OR IN PART AS THE BASIS FOR MANUFACTURE OR SALE OF ITEMS WITHOUT WRITTEN PERMISSION.

| REVISIONS | | | | |
|-----------|-------------|--------|---------|------|
| REV. | DESCRIPTION | DRFTG. | APP. BY | DATE |
| | | | | |

NOTE 1: * BREAK CIRCUIT AND CONNECT TO POINTS AS SHOWN, FOR BOARDS W/BBU INSTALLED ONLY !!!
 ** THESE REFERENCE NUMBERS (C10 & C9) TO SWITCH PLACES WHEN NOTE 1 IS IN EFFECT!

| | | | |
|---|--------------------------------|---------------|--|
| DO NOT SCALE DRAWING UNLESS OTHERWISE SPECIFIED USE D.C. SPECIFICATION 100-00028 FOR TOLERANCES AND WORKMANSHIP REQUIREMENTS | ITEM QTY. DESCRIPTION PART NO. | DRAWN 12-6-78 | DATA GENERAL CORPORATION WESTBORO, MASS. 01581 TITLE 300W POWER SUPPLY |
| MATERIAL | CHECKED | ENGINEER | |
| FINISH | APPROVED | FIRST USED ON | |
| SCALE CH | CODE IDENT. | SIZE | |
| THIRD ANGLE PROJECTION | DRAWING NUMBER 001616 | REV. 03 | 1 SHEET 3 OF 3 |