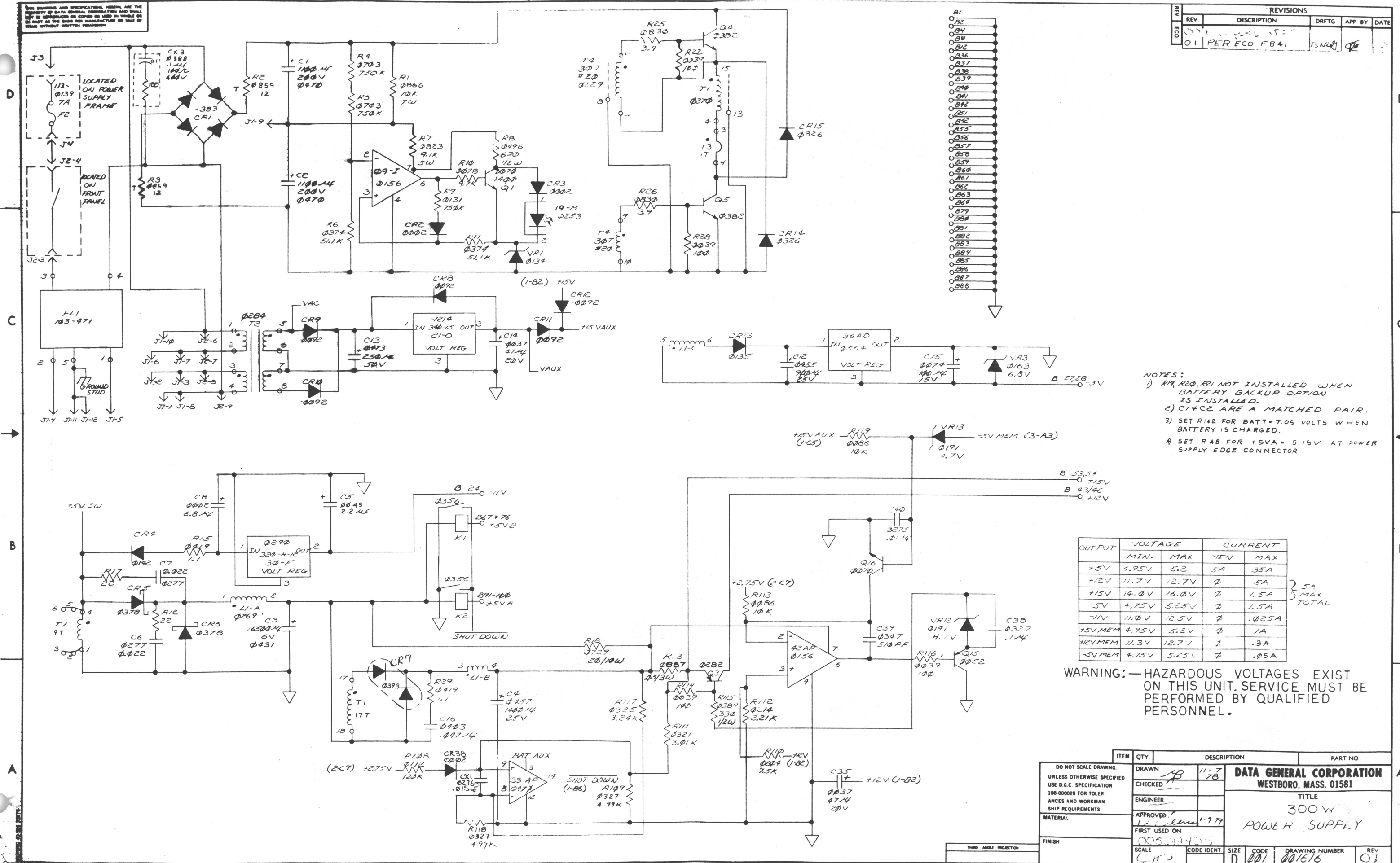


ALL DIMENSIONS AND SPECIFICATIONS, HEREIN, ARE THE PROPERTY OF DATA GENERAL CORPORATION AND SHALL NOT BE REPRODUCED OR COPIED OR USED IN WHOLE OR IN PART AS THE BASIS FOR MANUFACTURE OR SALE OF THIS UNIT WITHOUT WRITTEN PERMISSION.

REVISIONS				
REV	DESCRIPTION	DRFTG	APP BY	DATE
01	PER ECO FB41	FS/ALP		



- NOTES:
- 1) R19, R20, R21 NOT INSTALLED WHEN BATTERY BACKUP OPTION IS INSTALLED.
 - 2) C1+CC ARE A MATCHED PAIR.
 - 3) SET R142 FOR BATT+7.05 VOLTS WHEN BATTERY IS CHARGED.
 - 4) SET R48 FOR +5VA = 5.15V AT POWER SUPPLY EDGE CONNECTOR

OUTPUT	VOLTAGE		CURRENT	
	MIN.	MAX.	MIN	MAX
+5V	4.95V	5.2	5A	35A
+12V	11.7V	12.7V	∅	5A
+5V	14.0V	16.0V	∅	1.5A
-5V	4.75V	5.25V	∅	1.5A
-11V	11.0V	12.5V	∅	0.25A
+5V MEM	4.95V	5.2V	∅	1A
+12V MEM	11.3V	12.7V	∅	0.3A
-5V MEM	4.75V	5.25V	∅	0.5A

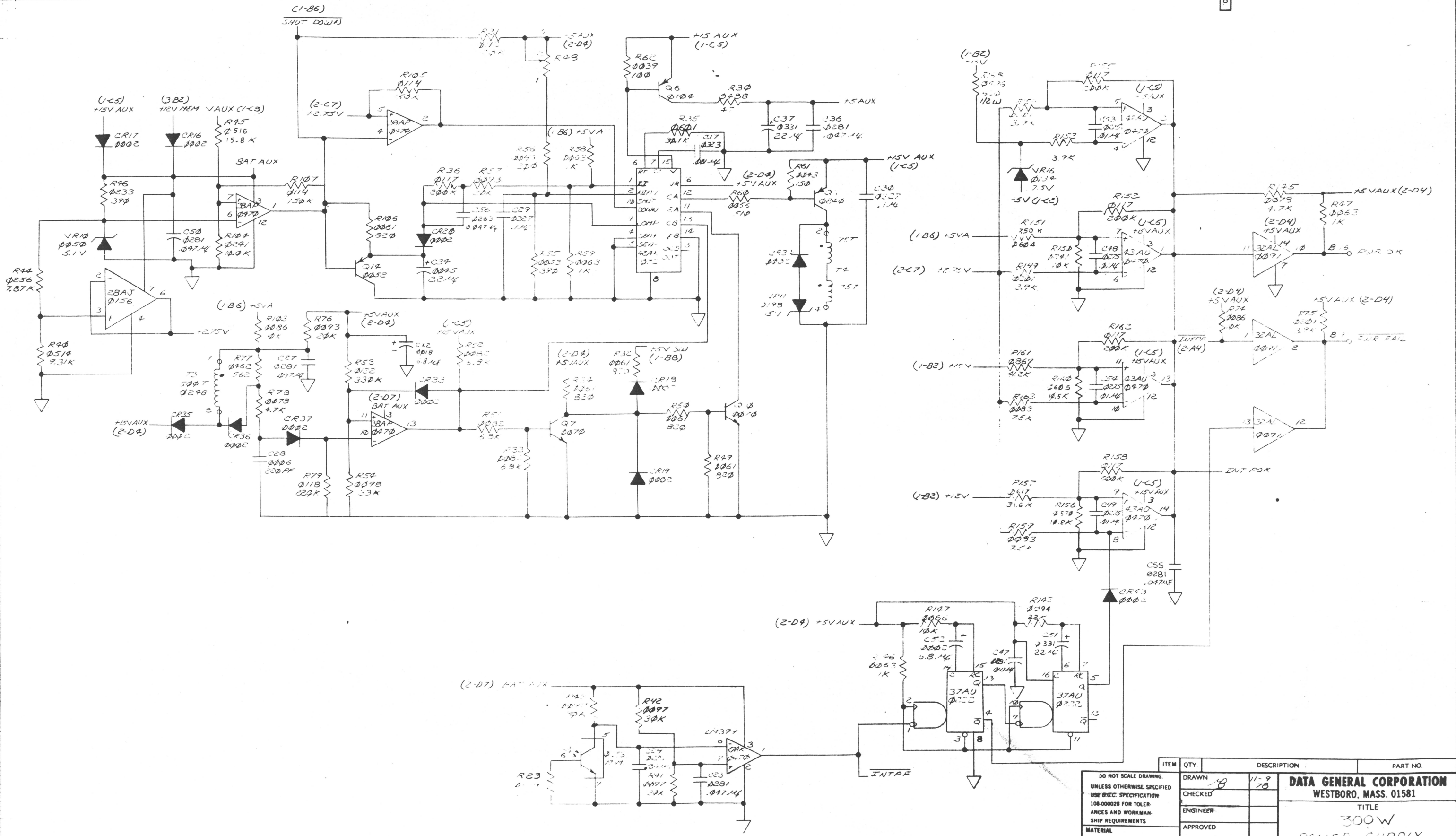
5A MAX TOTAL

WARNING:—HAZARDOUS VOLTAGES EXIST ON THIS UNIT. SERVICE MUST BE PERFORMED BY QUALIFIED PERSONNEL.

ITEM	QTY.	DESCRIPTION	PART NO.
DO NOT SCALE DRAWING. UNLESS OTHERWISE SPECIFIED USE D.G.C. SPECIFICATION 108-000028 FOR TOLERANCES AND WORKMANSHIP REQUIREMENTS.			
DRAWN		11-78	DATA GENERAL CORPORATION WESTBORO, MASS. 01581 TITLE 300 W POWER SUPPLY
CHECKED			
ENGINEER			
APPROVED			
MATERIAL			FIRST USED ON
FINISH			
SCALE	CODE IDENT.	SIZE	CODE
			DRAWING NUMBER
			REV

THE DIMENSIONS AND SPECIFICATIONS HEREIN ARE THE PROPERTY OF DATA GENERAL CORPORATION AND SHALL NOT BE REPRODUCED OR COPIED OR USED IN WHOLE OR IN PART AS THE BASIS FOR MANUFACTURE OR SALE OF PRODUCTS WITHOUT WRITTEN PERMISSION.

REVISIONS			
REV.	DESCRIPTION	DRFTG	APP. BY DATE
ECO			



ITEM	QTY	DESCRIPTION	PART NO.
DO NOT SCALE DRAWING. UNLESS OTHERWISE SPECIFIED USE (R/C) SPECIFICATION 108-00028 FOR TOLERANCES AND WORKMANSHIP REQUIREMENTS.			
DRAWN	11-9	DATA GENERAL CORPORATION WESTBORO, MASS. 01581 TITLE 300W POWER SUPPLY	
CHECKED	76		
ENGINEER			
APPROVED			
FIRST USED ON		DRAWING NUMBER	
SCALE	CODE IDENT	SIZE	REV

THIRD ANGLE PROJECTION