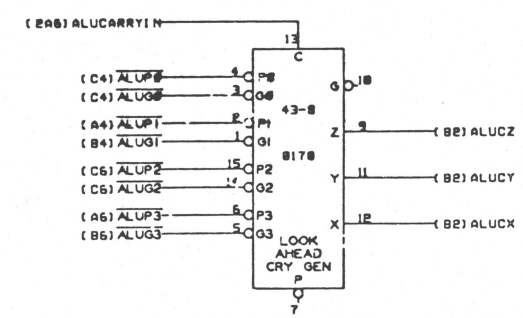
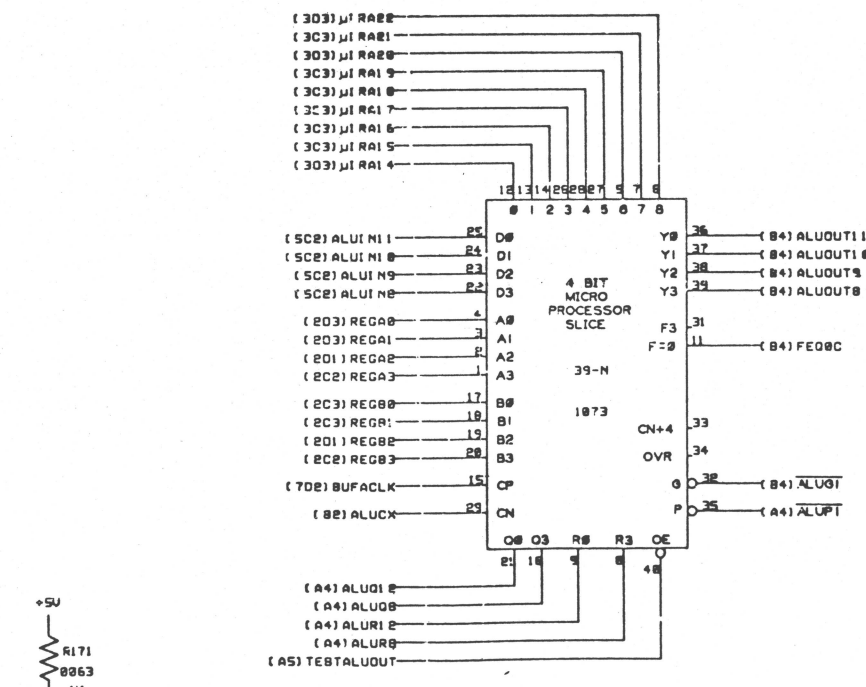
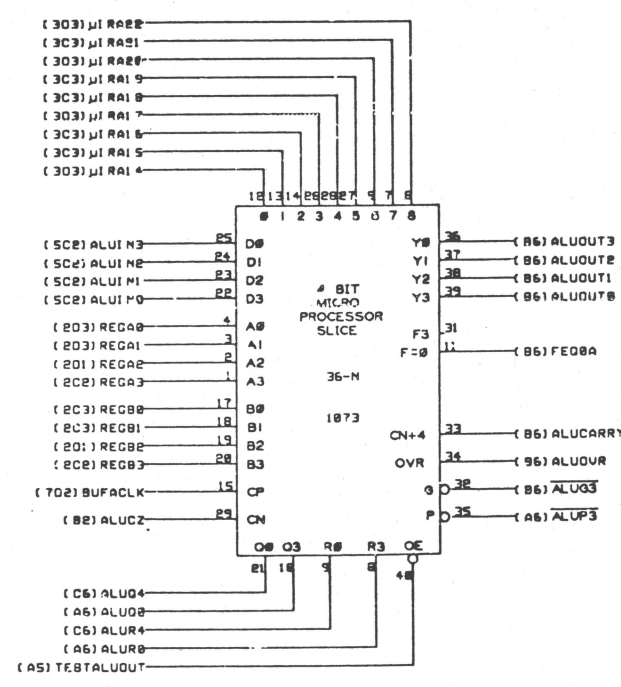
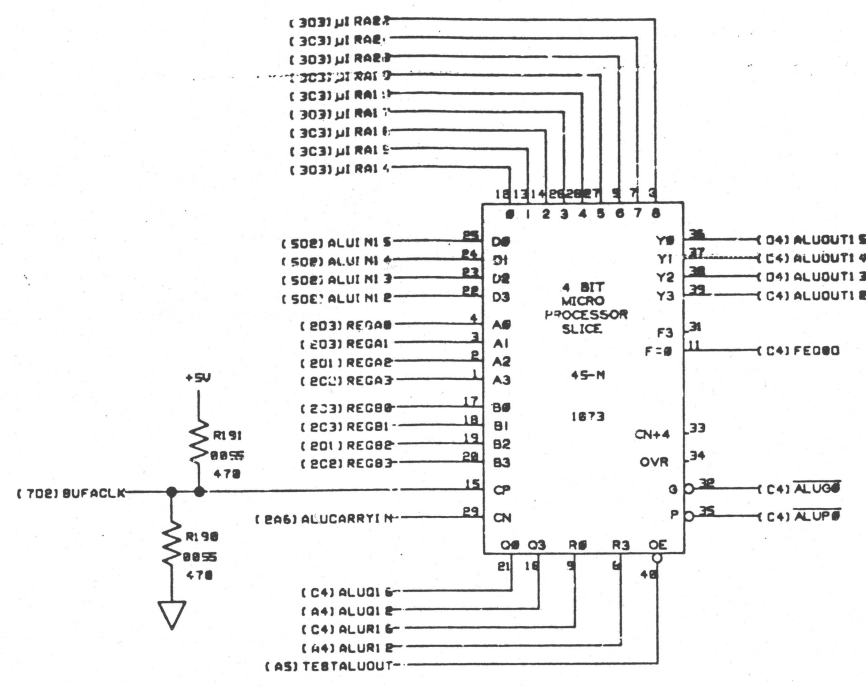
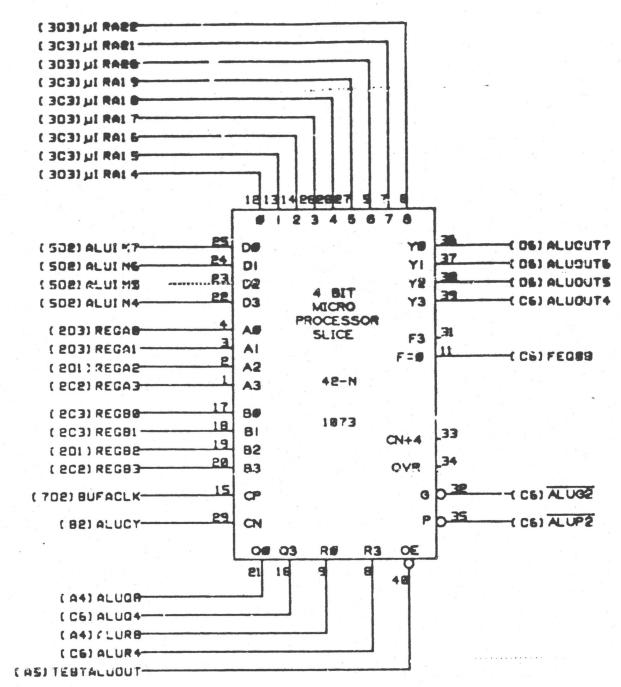


THE DIMENSIONS AND SPECIFICATIONS HEREIN ARE THE PROPERTY OF DATA GENERAL CORPORATION AND SHALL NOT BE REPRODUCED OR COPIED OR USED IN WHOLE OR IN PART AS THE BASIS FOR MANUFACTURE OR SALE OF ITEMS WITHOUT WRITTEN PERMISSION.

REVISIONS				
REV	DESCRIPTION	DRFTG	APP BY	DATE
00	ALU PER ECO F835			1/3/78
01	PER ECO F837			2/28/78
02	PER ECO F869			2/28/78
03	PER ECO Q700			2/28/78
04	PER ECO Q703			2/28/78
05	PER ECO 9602			2/28/78
06	PER ECO 9850			2/28/78
07	PER ECO Q702			
08	PER ECO 10472			
09	PER ECO 10627			
10	PER ECO 10356			
11	PER ECO 11577	VM		
12	PER ECO 10351	VM		
13	PER ECO 11011B	VM		
14	PER ECO 11958	VM		
15	PER ECO 13641	VM		



SPARE GATES

0799	03-J	(2)
0797	03-N	(1)
0365	05-W	(1)
0780	05A-B	(1)
1020	07-J	(2)
0159	07AN	(2)
0627	09-B	(1)
0630	09-F	(1)
0537	09-B	(1)
0260	09AH	(2)
0172	09AN	(1)
1264	11AN	(1)
1020	13AU	(2)
0133	15-N	(2)
0366	15AR	(2)
1152	15AU	(2)
047	17AN	(2)
0175	19-W	(1)
0537	21AN	(2)
0300	21AR	(1)
0797	27-F	(1)
0365	29-B	(2)
0307	33-B	(1)
1230	33-W	(1)
0575	36-F	(1)
0575	40-F	(1)
0417	41-B	(1)
0175	43-W	(1)
0001	03-E	(5)

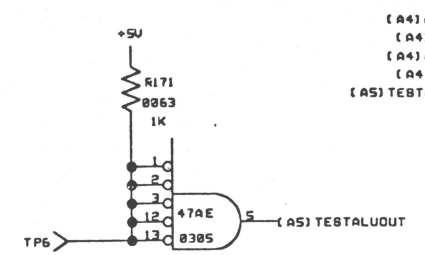


CHART 1	UNTESTED		TESTED	
	8KW	005-12410	005-12411	005-12413
	16KW	005-12412	005-12414	005-12415

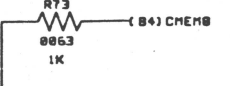
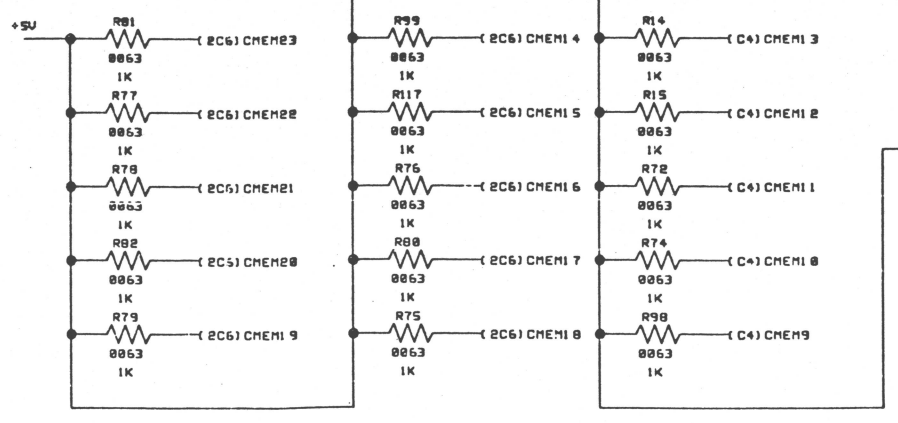
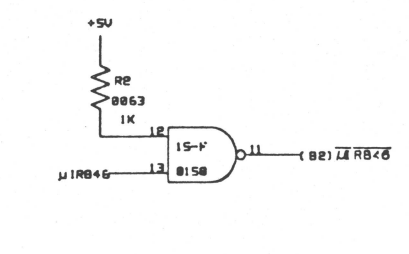
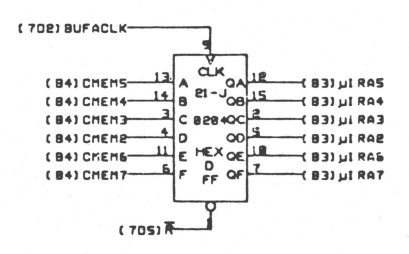
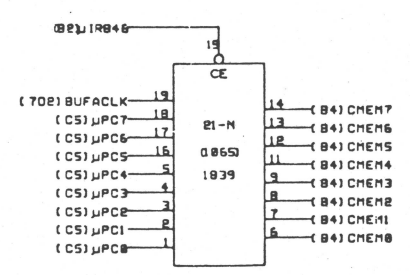
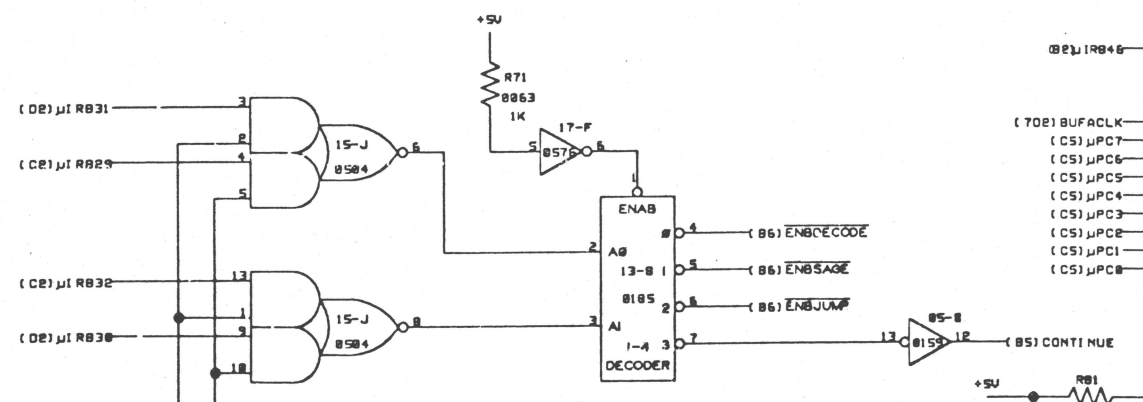
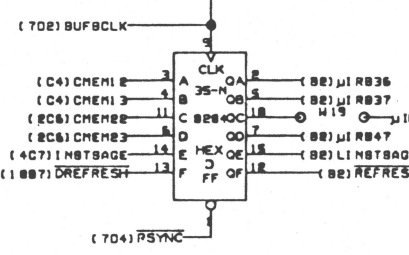
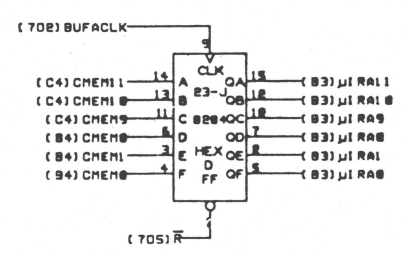
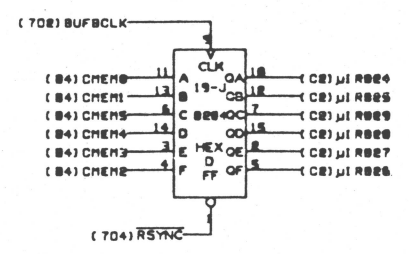
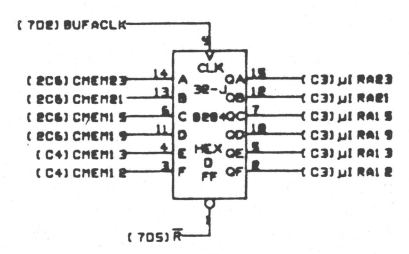
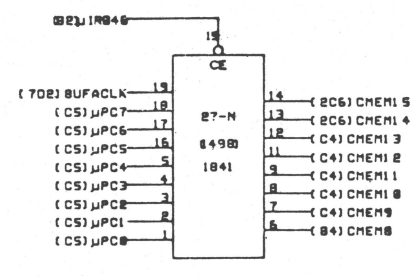
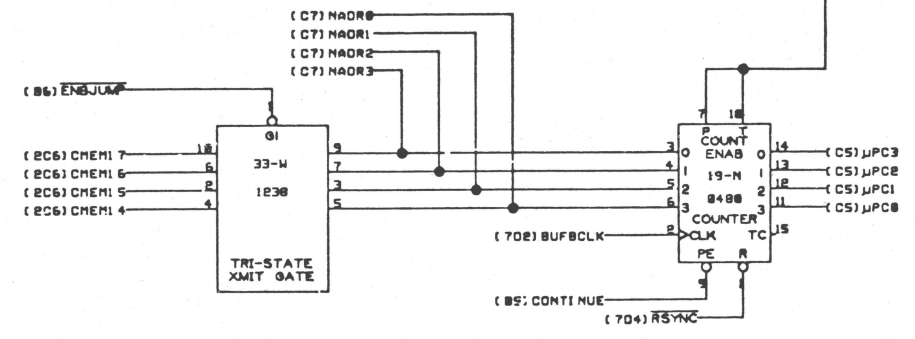
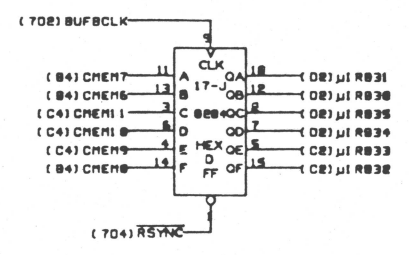
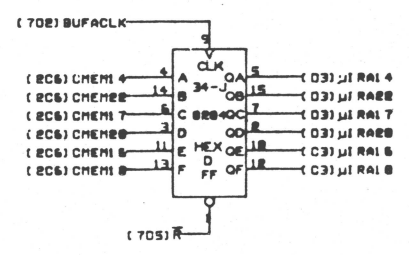
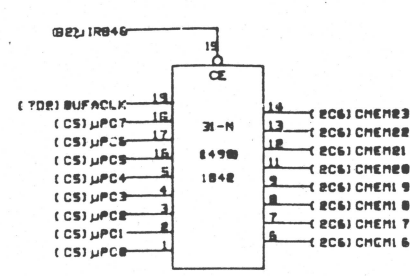
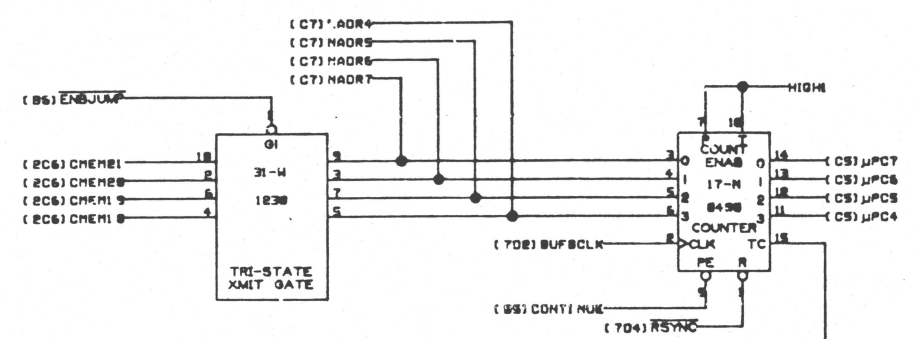
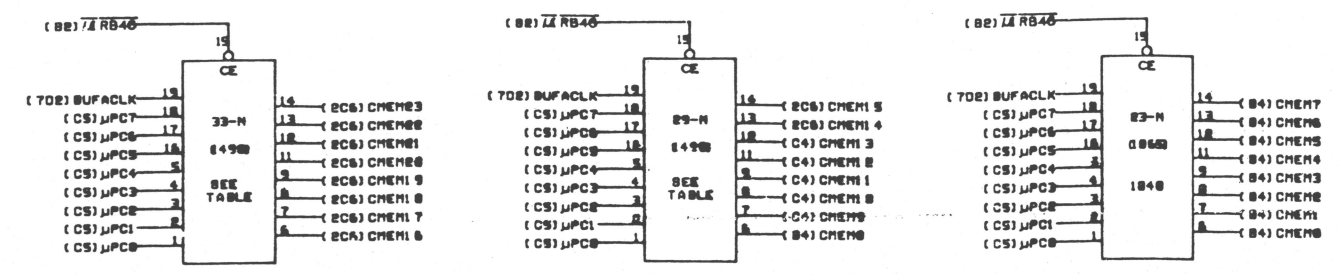
01600057
01600064

ARTWORK: 107 1307	DRAWN	4/6/80	DATA GENERAL CORPORATION WESTBORO, MASSACHUSETTS 01581
ARTWORK VS SCHEMATIC	DIGITIZED	CHECKED	
REV SCHEMATIC REV(S)	ENGINEER	4/24/80	TITLE
00 00,01,02,03,04,05,06	APPROVED	2/16/80	NOVA 4/C
01 07,08,09,10	FIRST USED ON		SIZE CODE DRAWING NUMBER REV
02 11,12,13,	SEE		001001600 15
14,15	CHART 1		

THIS DRAWING AND SPECIFICATIONS, HEREIN, ARE THE PROPERTY OF DATA GENERAL CORPORATION AND SHALL NOT BE REPRODUCED OR COPIED OR USED IN WHOLE OR IN PART AS THE BASIS FOR MANUFACTURE OR SALE OF ITEMS WITHOUT WRITTEN PERMISSION.

REVISIONS				
REV	DESCRIPTION	DRFTG	APP BY	DATE

LOC 29M	LOC 33M	005-OPTIONS
1031	1032	13550 OR 13554 OR 13558
1033	1034	13549 OR 13553 OR 13557
1035	1036	13548 OR 13552 OR 13556
1037	1038	13547 OR 13551 OR 13555

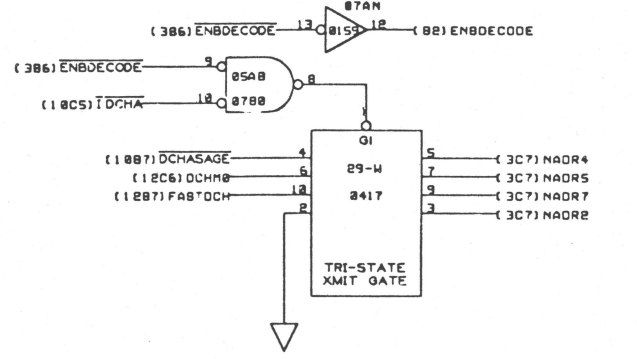
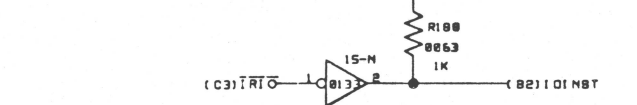
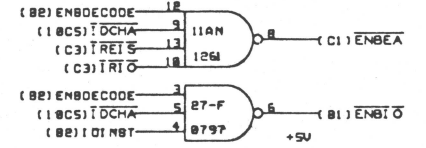
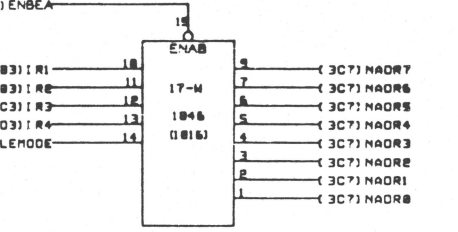
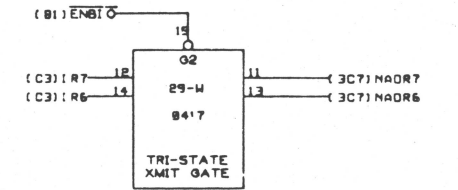
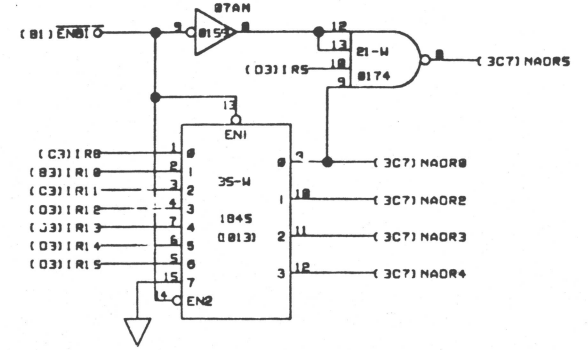
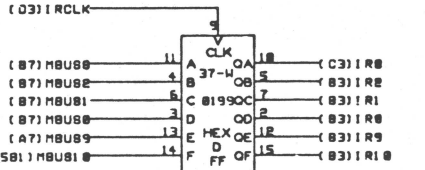
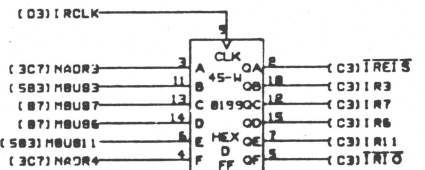
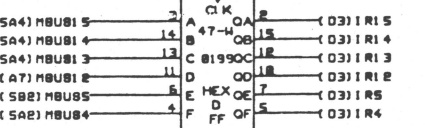
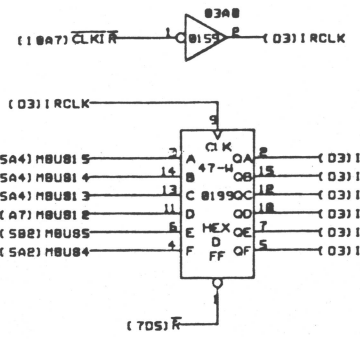
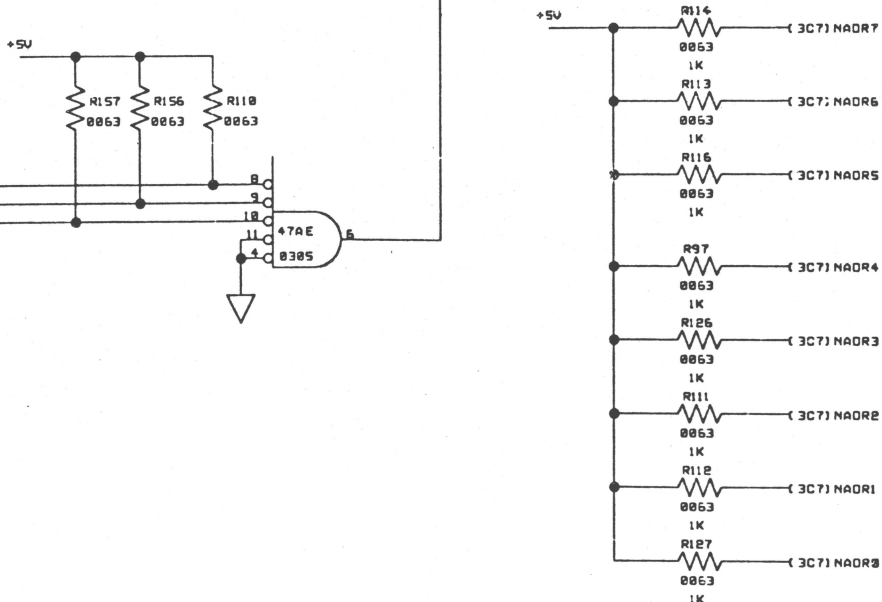
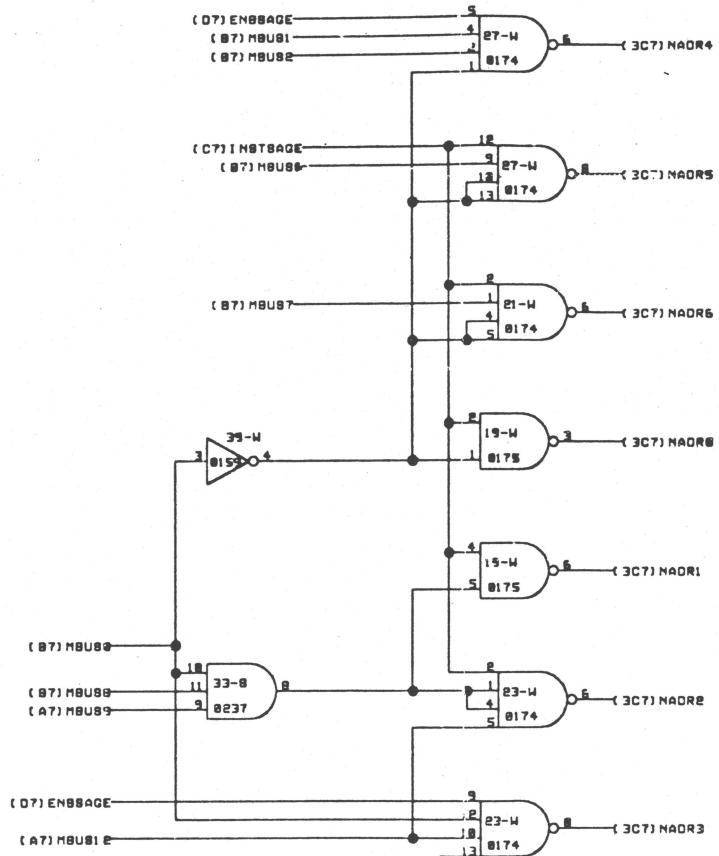
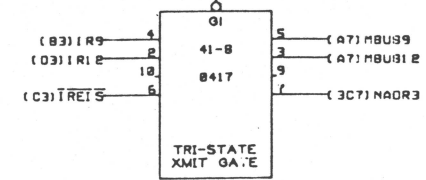
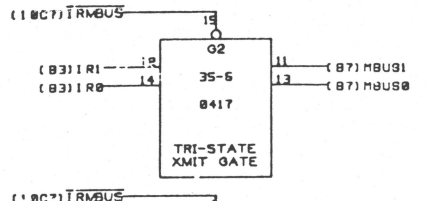
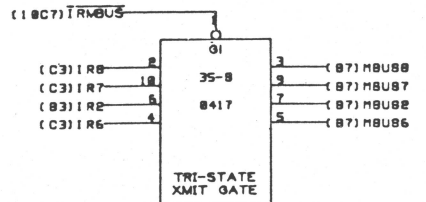
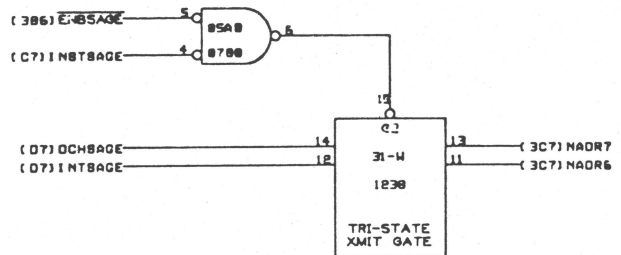
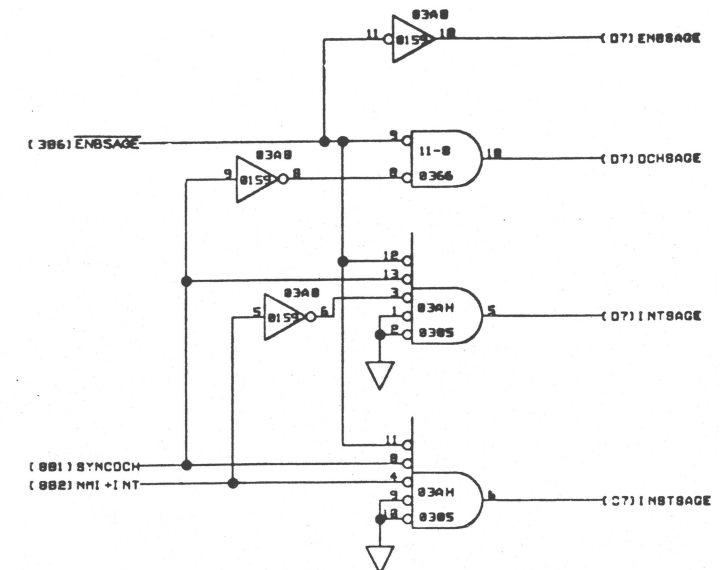


(CONTROL MEMORY, SEQUENCER)

DRAWN		DATA GENERAL CORPORATION WESTBORO, MASSACHUSETTS 01581
CHECKED		
ENGINEER		
APPROVED		
FIRST USED ON		
TITLE		NOVA 4/C
SIZE CODE	DRAWING NUMBER	
0	001001600	REV 15

THIS DRAWING AND SPECIFICATIONS, HEREIN, ARE THE PROPERTY OF DATA GENERAL CORPORATION AND SHALL NOT BE REPRODUCED OR COPIED OR USED IN WHOLE OR IN PART AS THE BASIS FOR MANUFACTURE OR SALE OF ITEMS WITHOUT WRITER PERMISSION.

REVISIONS				
REV	DESCRIPTION	DRFTG	APP BY	DATE

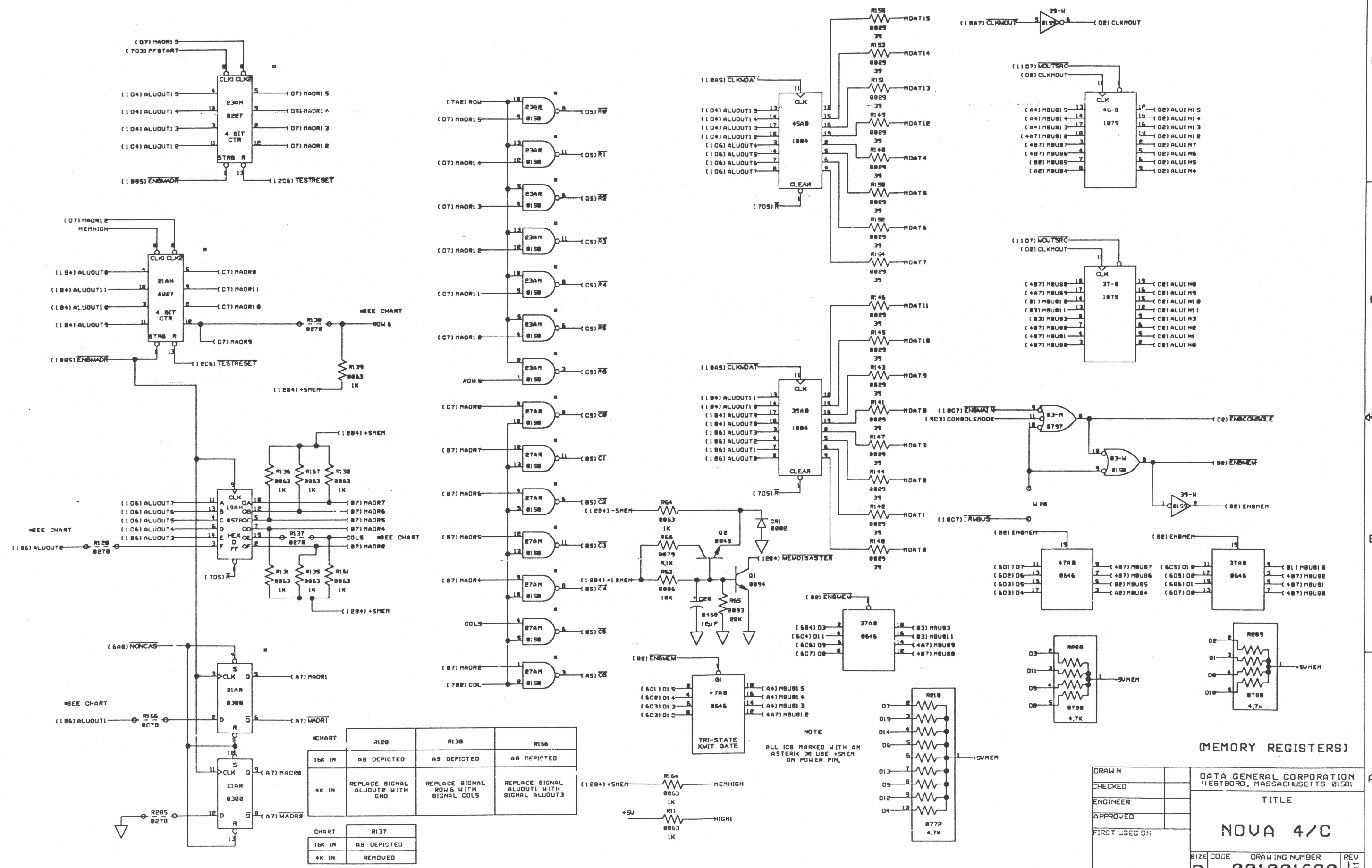


(SAGE, DECODE, IR)

DRAWN		DATA GENERAL CORPORATION WESTBORO, MASSACHUSETTS 01581	
CHECKED		TITLE	
ENGINEER		NOVA 4/C	
APPROVED		SIZE CODE	DRAWING NUMBER
FIRST USED ON		0	001001600
		REV	15

THIS DRAWING AND SPECIFICATIONS, HEREIN, ARE THE PROPERTY OF DATA GENERAL CORPORATION AND SHALL NOT BE REPRODUCED OR COPIED OR USED IN WHOLE OR IN PART AS THE BASIS FOR MANUFACTURE OR SALE OF ITEMS WITHOUT WRITER PERMISSION.

REVISIONS				
REV	DESCRIPTION	DRFTG	APP BY	DATE



NOTE
ALL ICs MARKED WITH AN
ASTERISK DO USE +5VEM
ON POWER PIN.

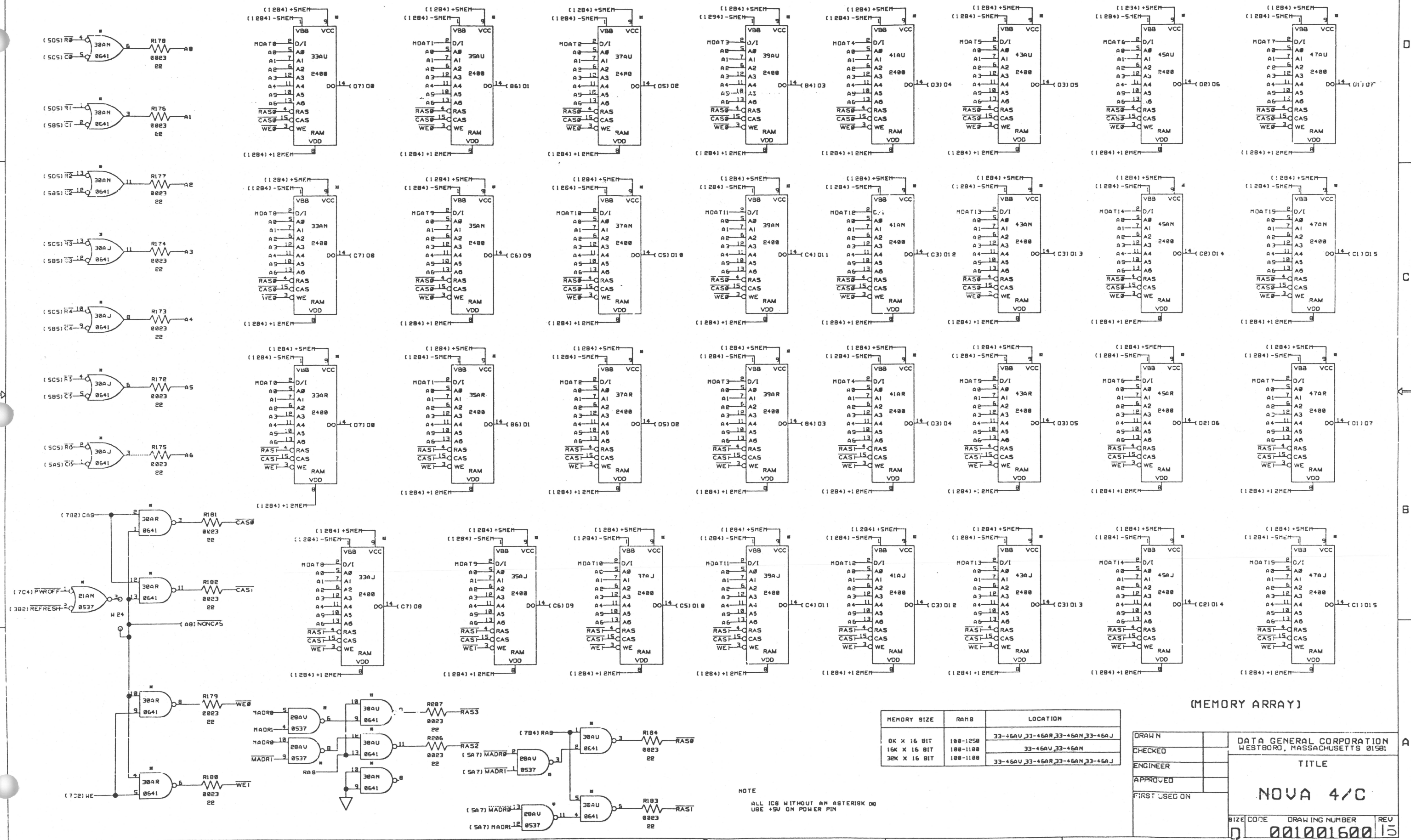
CHART	R128	R138	R166
16K IN	AS DEPICTED	AS DEPICTED	AS DEPICTED
4K IN	REPLACE SIGNAL ALUOUT2 WITH GND	REPLACE SIGNAL ROW6 WITH SIGNAL COLS	REPLACE SIGNAL ALUOUT1 WITH SIGNAL ALUOUT3

CHART	R137
16K IN	AS DEPICTED
4K IN	REMOVED

DRAWN		DATA GENERAL CORPORATION NESTBORO, MASSACHUSETTS 01581
CHECKED		TITLE
ENGINEER		NOVA 4/C
APPROVED		SIZE CODE DRAWING NUMBER REV
FIRST USED ON		001001600 15

THIS DRAWING AND SPECIFICATIONS, HEREIN, ARE THE PROPERTY OF DATA GENERAL CORPORATION AND SHALL NOT BE REPRODUCED OR COPIED OR USED IN WHOLE OR IN PART AS THE BASIS FOR MANUFACTURE OR SALE OF ITEMS WITHOUT WRITTEN PERMISSION.

REVISIONS			
REV	DESCRIPTION	DRFTG	APP BY



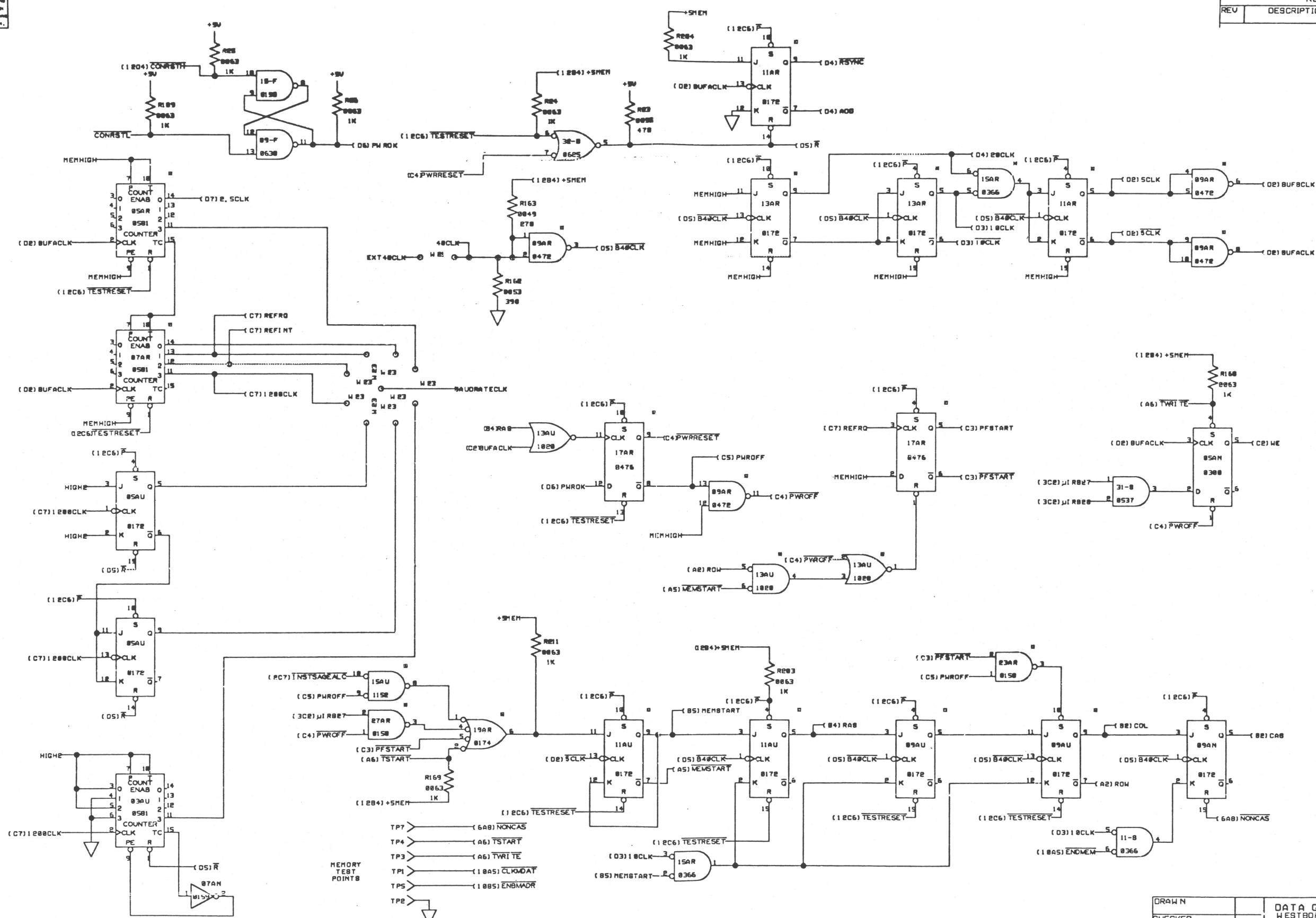
MEMORY SIZE	RAMS	LOCATION
0K X 16 BIT	100-1250	33-46AU, 33-46AR, 33-46AN, 33-46AJ
16K X 16 BIT	100-1100	33-46AU, 33-46AN
32K X 16 BIT	100-1100	33-46AU, 33-46AR, 33-46AN, 33-46AJ

DRAWN	DATA GENERAL CORPORATION WESTBORO, MASSACHUSETTS 01581
CHECKED	
ENGINEER	
APPROVED	
FIRST USED ON	TITLE
	NOVA 4/C
	SIZE CODE
	DRAWING NUMBER
	REV
	001001600
	15

(MEMORY ARRAY)

THE DRAWING AND SPECIFICATIONS HEREIN ARE THE PROPERTY OF DATA GENERAL CORPORATION AND SHALL NOT BE REPRODUCED OR COPIED OR USED IN WHOLE OR IN PART AS THE BASIS FOR MANUFACTURE OR SALE OF ITEMS WITHOUT WRITTEN PERMISSION.

REVISIONS				
REV	DESCRIPTION	DRFTG	APP BY	DATE



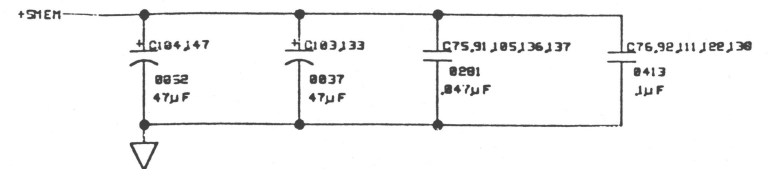
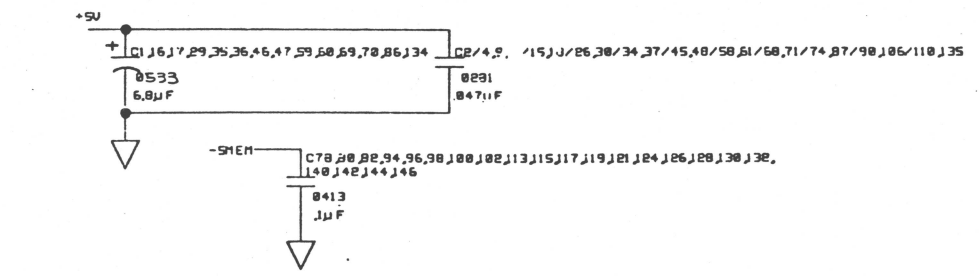
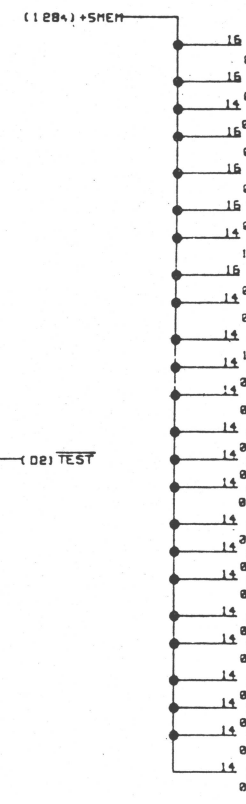
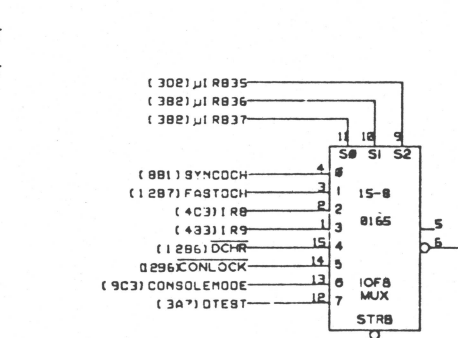
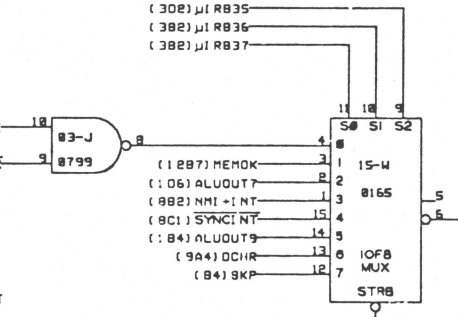
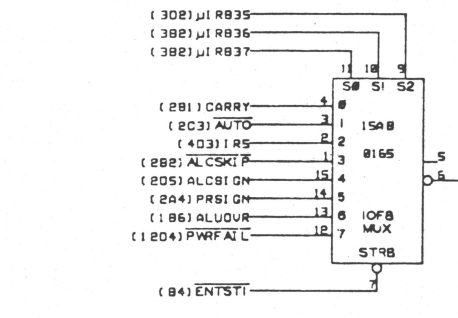
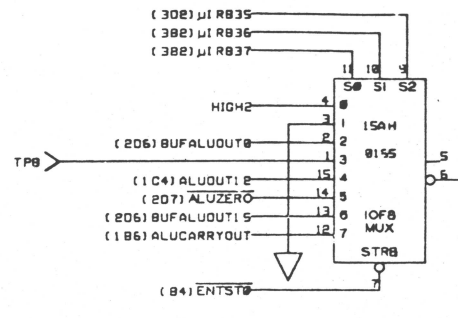
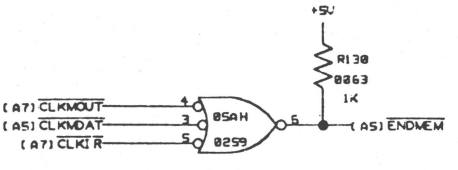
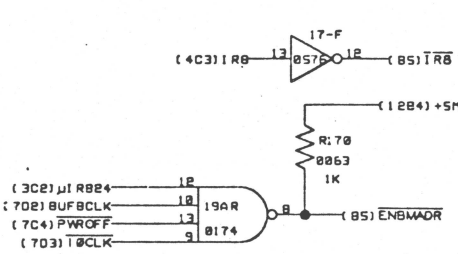
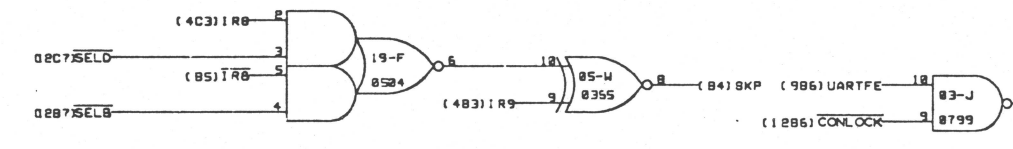
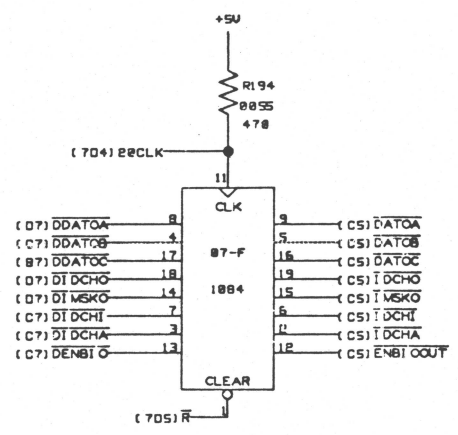
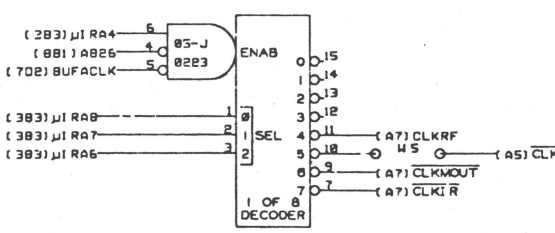
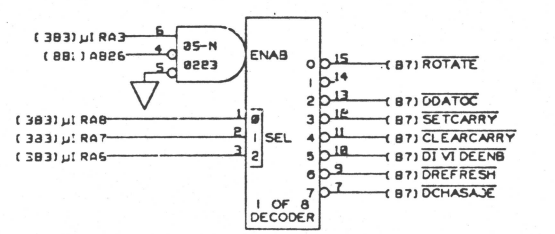
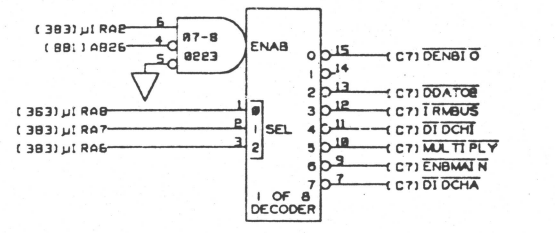
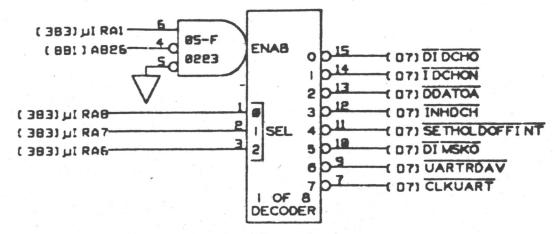
- MEMORY TEST POINTS
- TP7 --- (6A8) NONCAS
 - TP4 --- (A6) TSTART
 - TP3 --- (A6) TVRITE
 - TP1 --- (10A5) CLK/DAT
 - TP5 --- (10B5) ENBMADR
 - TP2 ---

(TIMING)

DRAWN		DATA GENERAL CORPORATION WESTBORO, MASSACHUSETTS 01581		
CHECKED		TITLE		
ENGINEER		NOVA 4/C		
APPROVED		SIZE CODE	DRAWING NUMBER	REV
FIRST USED ON		0	001001600	15

THIS DRAWING AND SPECIFICATIONS, HEREIN, ARE THE PROPERTY OF DATA GENERAL CORPORATION AND SHALL NOT BE REPRODUCED OR COPIED OR USED IN WHOLE OR IN PART AS THE BASIS FOR MANUFACTURE OR SALE OF ITEMS WITHOUT WRITTEN PERMISSION.

REVISIONS				
REV	DESCRIPTION	DRFTG	APP BY	DATE

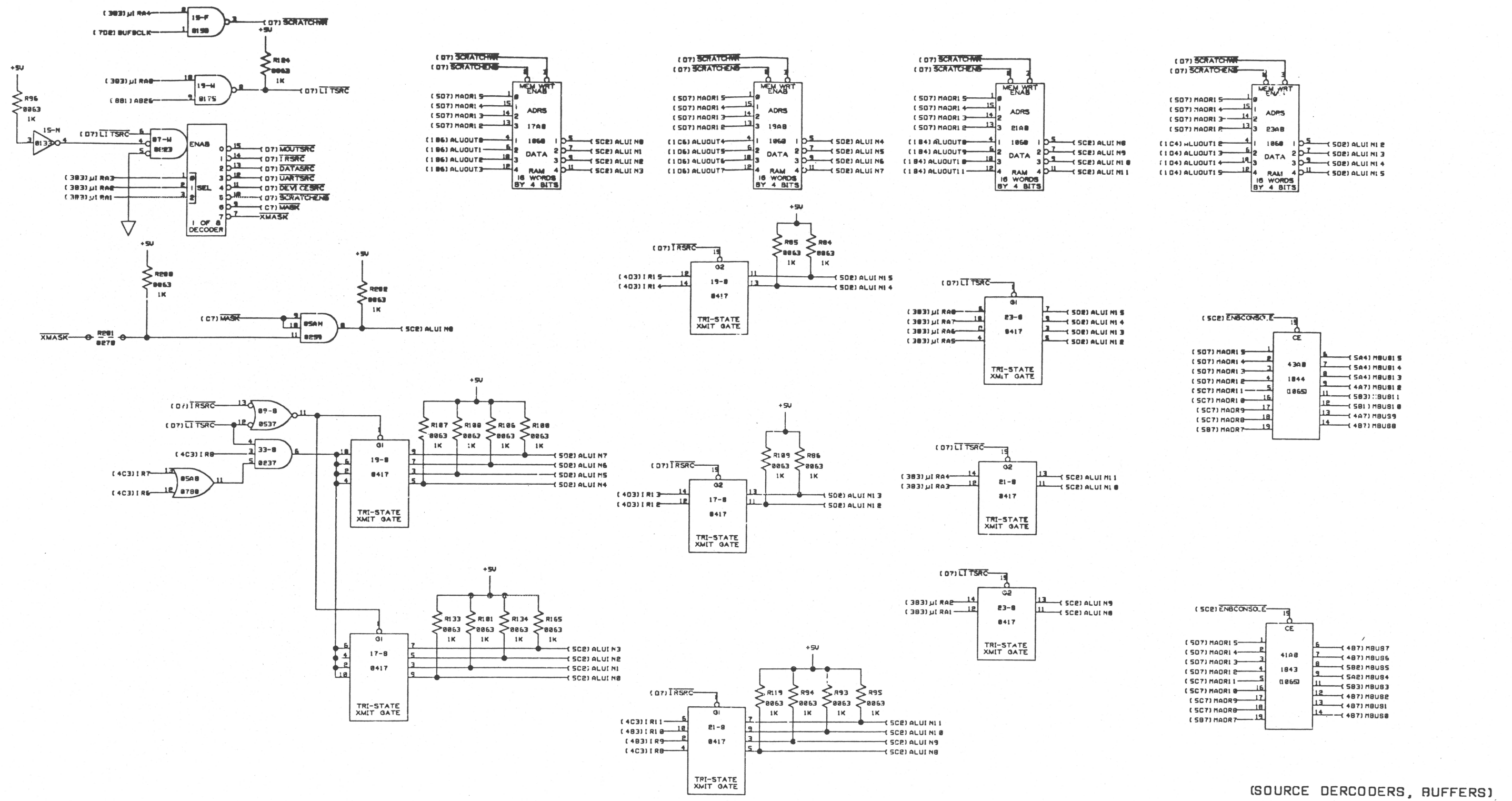


(RANDOM DECODERS, TEST MUX)

DRAWN	DATA GENERAL CORPORATION WESTBORO, MASSACHUSETTS 01581		
CHECKED	TITLE		
ENGINEER	NOVA 4/C		
APPROVED	SIZE CODE	DRAWING NUMBER	REV
FIRST USED ON	0	001001600	15

THIS DRAWING AND SPECIFICATIONS, HEREIN, ARE THE PROPERTY OF DATA GENERAL CORPORATION AND SHALL NOT BE REPRODUCED OR COPIED OR USED IN WHOLE OR IN PART AS THE BASIS FOR MANUFACTURE OR SALE OF ITEMS WITHOUT WRITTEN PERMISSION.

REVISIONS				
REV	DESCRIPTION	DRAFTG	APP BY	DATE



(SOURCE DECODERS, BUFFERS)

DRAWN		DATA GENERAL CORPORATION WESTBORO, MASSACHUSETTS 01581		
CHECKED		TITLE		
ENGINEER		NOVA 4/C		
APPROVED		SIZE CODE	DRAWING NUMBER	REV
FIRST USED ON		0	001001600	15

THIS DRAWING AND SPECIFICATIONS, HEREIN, ARE THE PROPERTY OF DATA GENERAL CORPORATION AND SHALL NOT BE REPRODUCED OR COPIED OR USED IN WHOLE OR IN PART AS THE BASIS FOR MANUFACTURE OR SALE OF ITEMS WITHOUT WRITTEN PERMISSION.

REVISIONS			
REV	DESCRIPTION	DRAFTG	APP BY DATE

A001 (A4) GND, B
 A002 (A4) GND, B
 A003 (B4) +5V
 A004 (B4) +5V
 A005
 A006
 A007
 A008
 A009
 A010 (D8) +1.5V
 A011
 A012
 A013
 A014
 A015
 A016
 A017
 A018
 A019
 A020
 A021
 A022
 A023
 A024
 A025
 A026
 A027
 A028
 A029
 A030
 A031
 A032
 A033
 A034
 A035
 A036 ~~DBEXTA~~CLK
 A037
 A038 (B4) MSKO
 A039
 A040 (B07) INTA
 A041
 A042 (B07) DATI B
 A043
 A044 (B07) DATI A
 A045
 A046 (B07) DS3
 A047
 A048 (B03) DATOC
 A049
 A050 (B07) CLR

A051
 A052 (B07) STRT
 A053
 A054 (B07) DATI C
 A055
 A056 (B03) DATOB
 A057
 A058 (B03) DATOH
 A059
 A060 (B03) DCHA
 A061
 A062 (B07) DS4
 A063
 A064 (B07) DS5
 A065
 A066 (B07) DS2
 A067
 A068 (B07) DS1
 A069
 A070 (B07) IORST
 A071
 A072 (B07) DS0
 A073
 A074 (B07) IOPLB
 A075
 A076
 A077
 A078
 A079
 A080
 A081 (C7) SELD
 A082 (C7) CLEARTOBEND
 A083 (B7) SELB
 A084 (B7) ITTO
 A085 (B7) TTOUT
 A086
 A087 (B7) LCLK
 A088
 A089 (9D4) READERRUN
 A090 (9D4) 500HZ
 A091
 A092
 A093 (B7) TTIN
 A094 (B7) FASTOCH
 A095 (B7) MEMOK
 A096 (B4) +5V
 A097 (B4) +5V
 A098 (A4) GND, B
 A099 (A4) GND, B
 A100 (A4) GND, B

B001 (A4) GND, B
 B002 (A4) GND, B
 B003 (B4) +5V
 B004 (B4) +5V
 B005
 B006
 B007
 B008
 B009
 B010
 B011
 B012
 B013
 B014
 B015
 B016
 B017 (C6) DCHMB
 B018
 B019
 B020
 B021
 B022
 B023 (C6) TESTRESET
 B024
 B025 (C6) F
 B026
 B027
 B028
 B029 (C6) INTR
 B030
 B031
 B032
 B033 (B07) DCHO
 B034
 B035 (B6) DCHM
 B036
 B037 (B07) DCHI
 B038
 B039
 B040 (B6) CONLOCK
 B041 (B01) ROENB
 B042
 B043
 B044
 B045
 B046
 B047
 B048 (B6) CONPL
 B049 (A6) CONLED
 B050

B051 (D4) CONRSTH
 B052 (D4) CONRSTL
 B053
 B054 (D4) PWRFALL
 B055 (B05) DATA7
 B056 (B06) DATAI 4
 B057 (B05) DATA8
 B058 (B06) DATAI 1
 B059 (B06) DATAI 2
 B060 (B06) DATA8
 B061 (B05) DATA4
 B062 (B05) DATA8
 B063 (B06) DATA8
 B064 (B06) DATAI 3
 B065 (B05) DATAI
 B066 (B06) DATAI 6
 B067 (B6) CONPL
 B068
 B069
 B070 (B4) +1.2VEM
 B071 (B4) +1.2VEM
 B072 (B4) +1.2VEM
 B073 (B05) DATA3
 B074
 B075 (B06) DATAI 7
 B076
 B077 (C7) -11V
 B078
 B079 (7D6) PH ROK
 B080
 B081
 B082 (B05) DATA2
 B083
 B084
 B085
 B086
 B087 (B4) +1.2V
 B088 (B4) +1.2V
 B089
 B090 (B4) +1.2V
 B091 (B4) -5VEM
 B092
 B093 (B4) +5VEM
 B094 (B4) +5VEM
 B095 (B05) DATA6
 B096 (B4) MEMDI SASTER
 B097 (B4) +5V
 B098 (B4) +5V
 B099 (A4) GND, B
 B100 (A4) GND, B

THIS SIGNAL APPEARS HERE ON ASSYS. 005-12412, 12413 (16K) AND 005-12414, 12415 (32K) ONLY.

DRAWN		DATA GENERAL CORPORATION WESTBORO, MASSACHUSETTS 01581	
CHECKED		TITLE	
ENGINEER		NOVA 4/C	
APPROVED			
FIRST USED ON			
SIZE	CODE	DRAWING NUMBER	REV
0		001001600	15