

REVISIONS			
REV	DESCRIPTION	DRFTD	APP BY DATE

DESIGN	CHECKED	ENGINEER	APPROVED	FMS SECTION

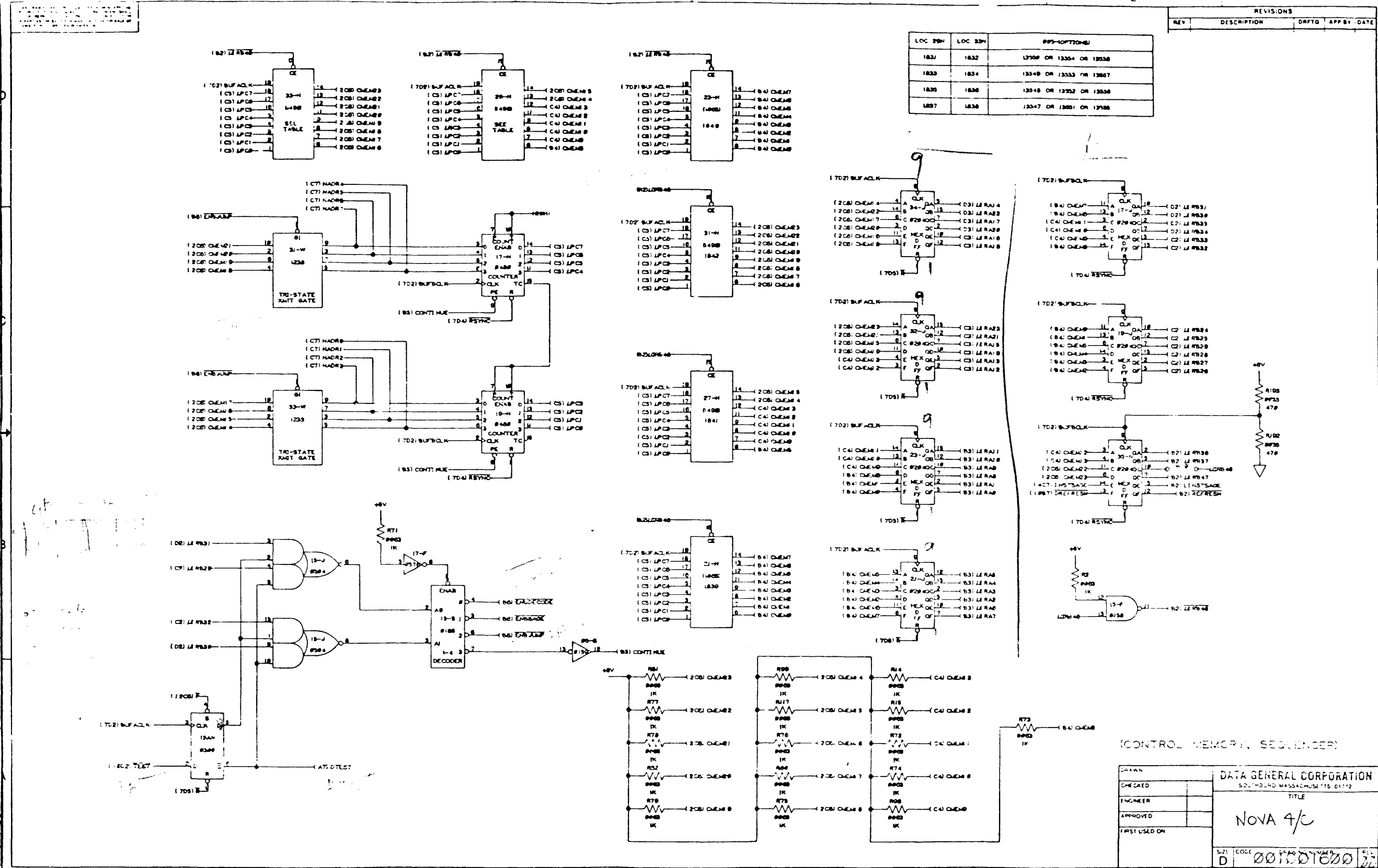
DATA GENERAL CORPORATION  
SOUTH BORDEN, MASSACHUSETTS 01772

NOVA 4/C

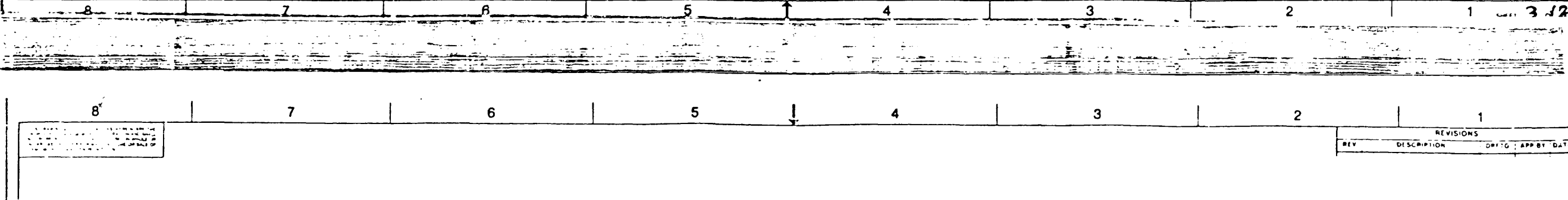
REV. 001001600

REVISIONS			
REV	DESCRIPTION	DRFTG	APP BY DATE

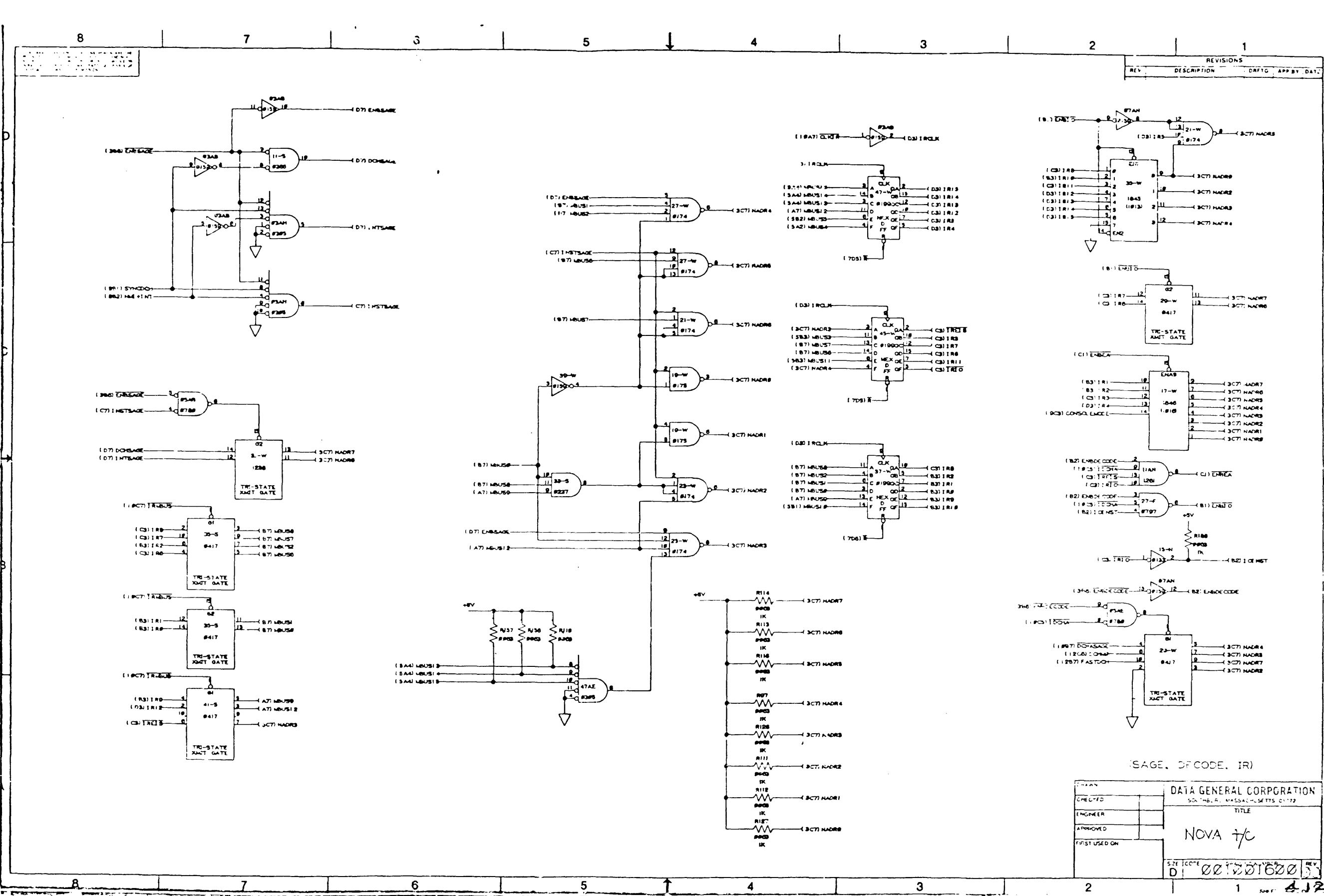
LOC 204	LOC 204	PPS-OPTIONS
1831	1832	13508 OR 13554 OR 13558
1833	1834	13549 OR 13553 OR 13867
1835	1836	13548 OR 13552 OR 13556
1837	1838	13547 OR 13861 OR 13928



DATA GENERAL CORPORATION			
SOUTH BORD MASSACHUSETTS 01772			
TITLE			
NOVA 4/C			
DESIGNED		DATE	
CHECKED		DATE	
ENGINEER		DATE	
APPROVED		DATE	
FIRST USED ON		DATE	
SIZ	CODE	FRAM NUMBER	REV
D	001001600		1



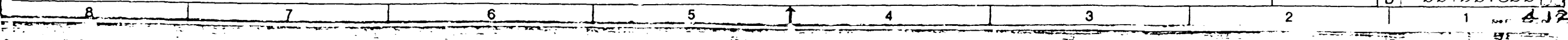
REVISIONS			
REV	DESCRIPTION	DRFTG	APP BY DATE



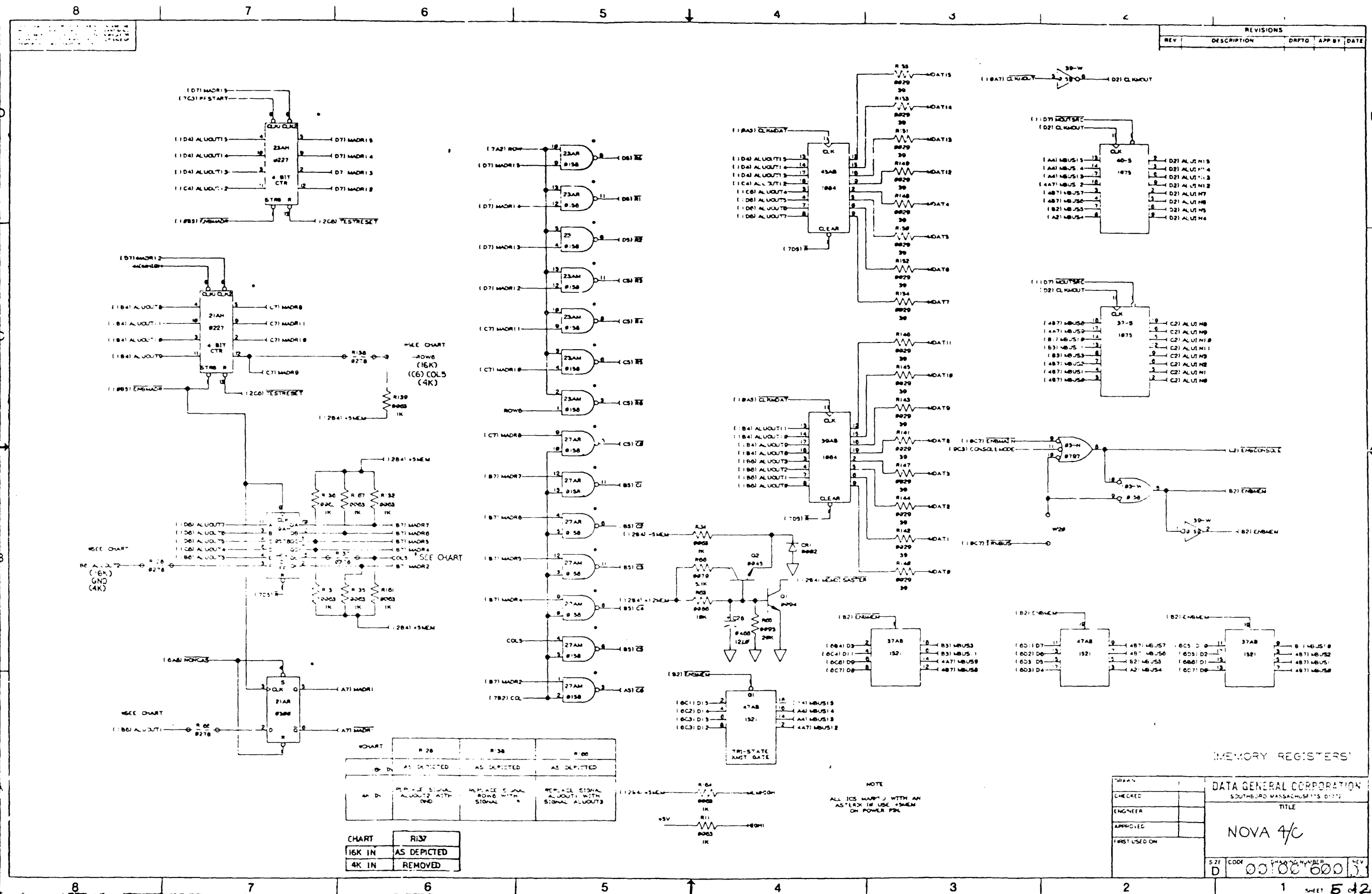
REVISIONS			
REV.	DESCRIPTION	DATE	APP BY

DESIGNED	DATA GENERAL CORPORATION
ENGINEER	SOUTH BURLINGTON, MASSACHUSETTS 01772
APPROVED	TITLE
FIRST USED ON	NOVA 7C
SIZE CODE	D 100201600

SAGE, DECODE, IR)



REVISIONS			
REV.	DESCRIPTION	DATE	APP BY



REVISIONS				
REV	DESCRIPTION	DRFTG	APP BY	DATE

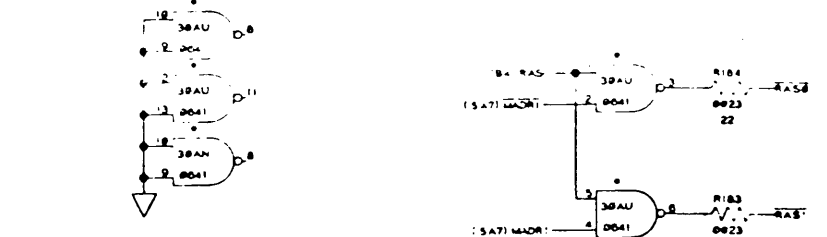
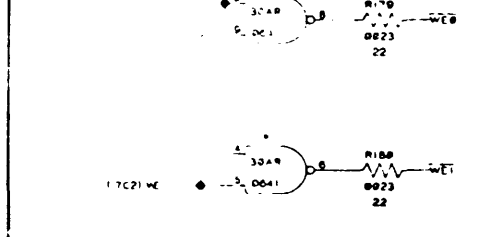
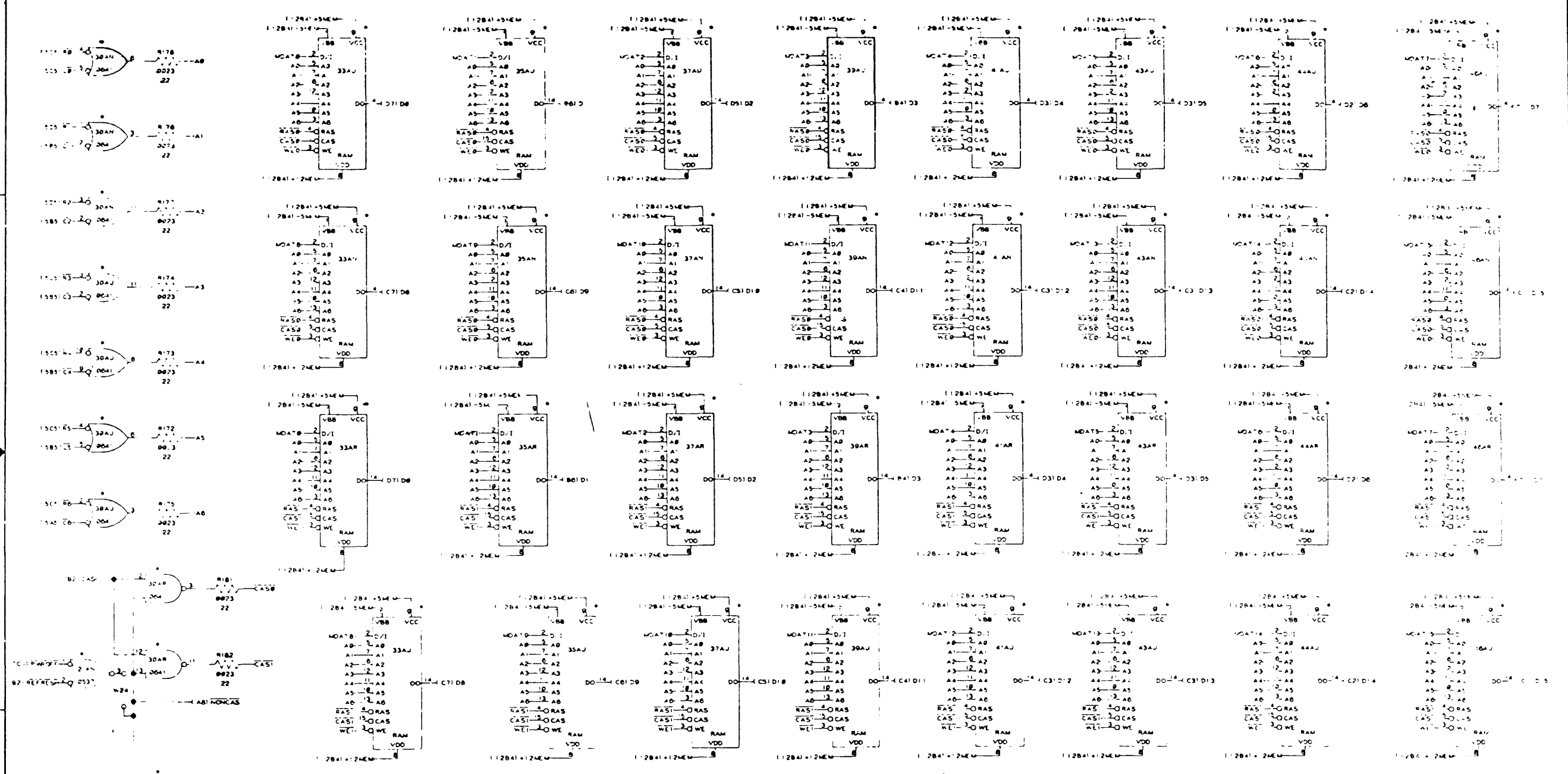
DATA GENERAL CORPORATION SOUTH BORO, MASSACHUSETTS 01772	
TITLE <b>NOVA 4/C</b>	
CHECKED	
ENGINEER	
APPROVED	
FIRST USED ON	
SIZE	
D	00 00 000

CHART	R 28	R 38	R 60
0 IN	AS DEPICTED	AS DEPICTED	AS DEPICTED
4K IN	REPLACE SIGNAL ALUOUT2 WITH GND	REPLACE SIGNAL ROW6 WITH SIGNAL	REPLACE SIGNAL ALUOUT1 WITH SIGNAL ALUOUT3

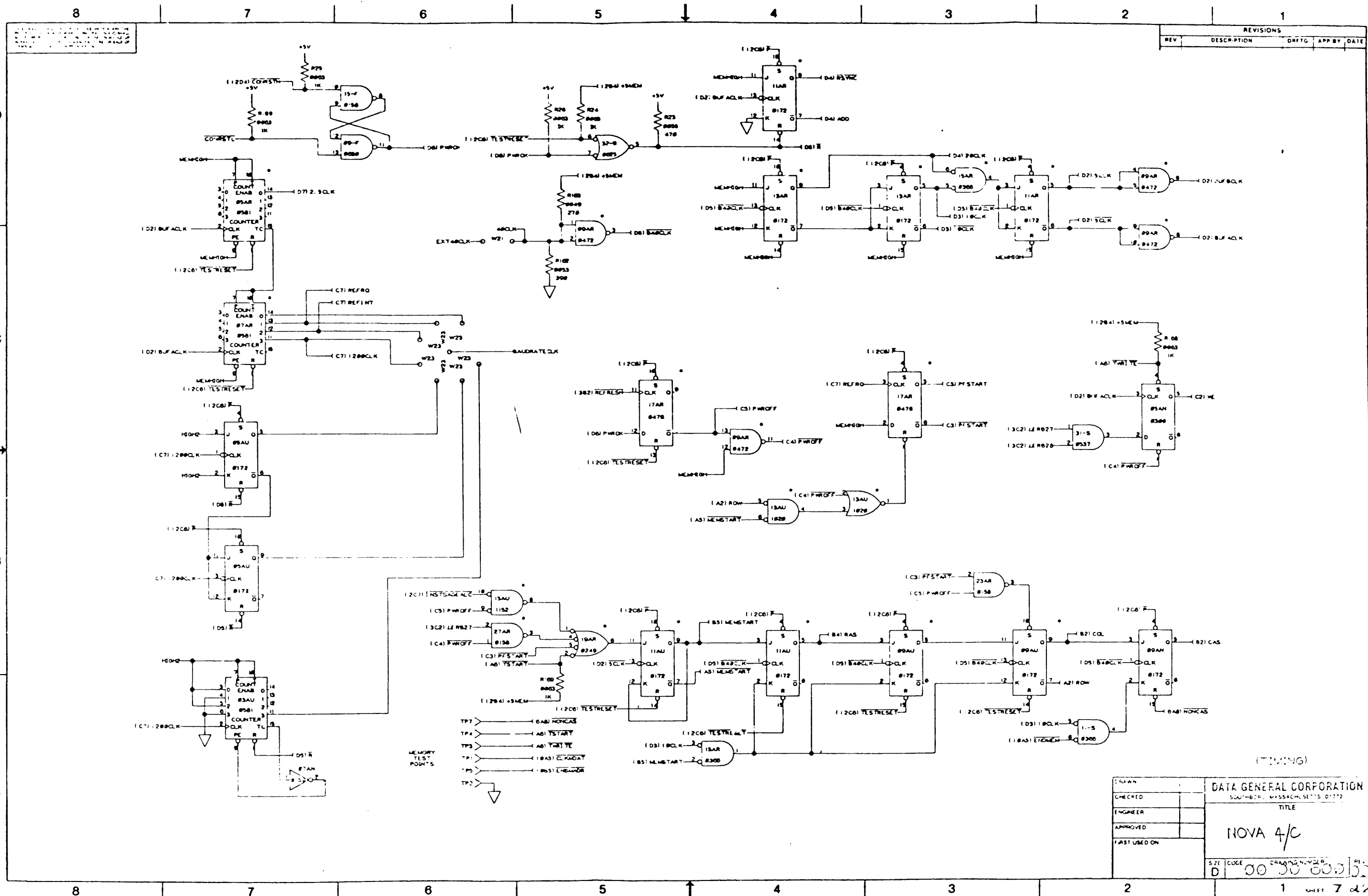
CHART	R137
16K IN	AS DEPICTED
4K IN	REMOVED

REVISIONS				
REV	DESCRIPTION	DRFTG	APP BY	DATE



MEMORY SIZE	ROWS	COLUMNS	LOCATION
1K	16	16	33 40A, 33 40B, 33 40C, 33 40D
2K	16	16	33 40A, 33 40B, 33 40C, 33 40D
4K	16	16	33 40A, 33 40B, 33 40C, 33 40D
8K	16	16	33 40A, 33 40B, 33 40C, 33 40D

DRAWN		DATA GENERAL CORPORATION	
CHECKED		SOUTHBRIDGE, MASSACHUSETTS 01772	
ENGINEER		TITLE	
APPROVED		NOVA 4/C	
FIRST USED ON		REV	
		S2F	CODE 0000000000000000



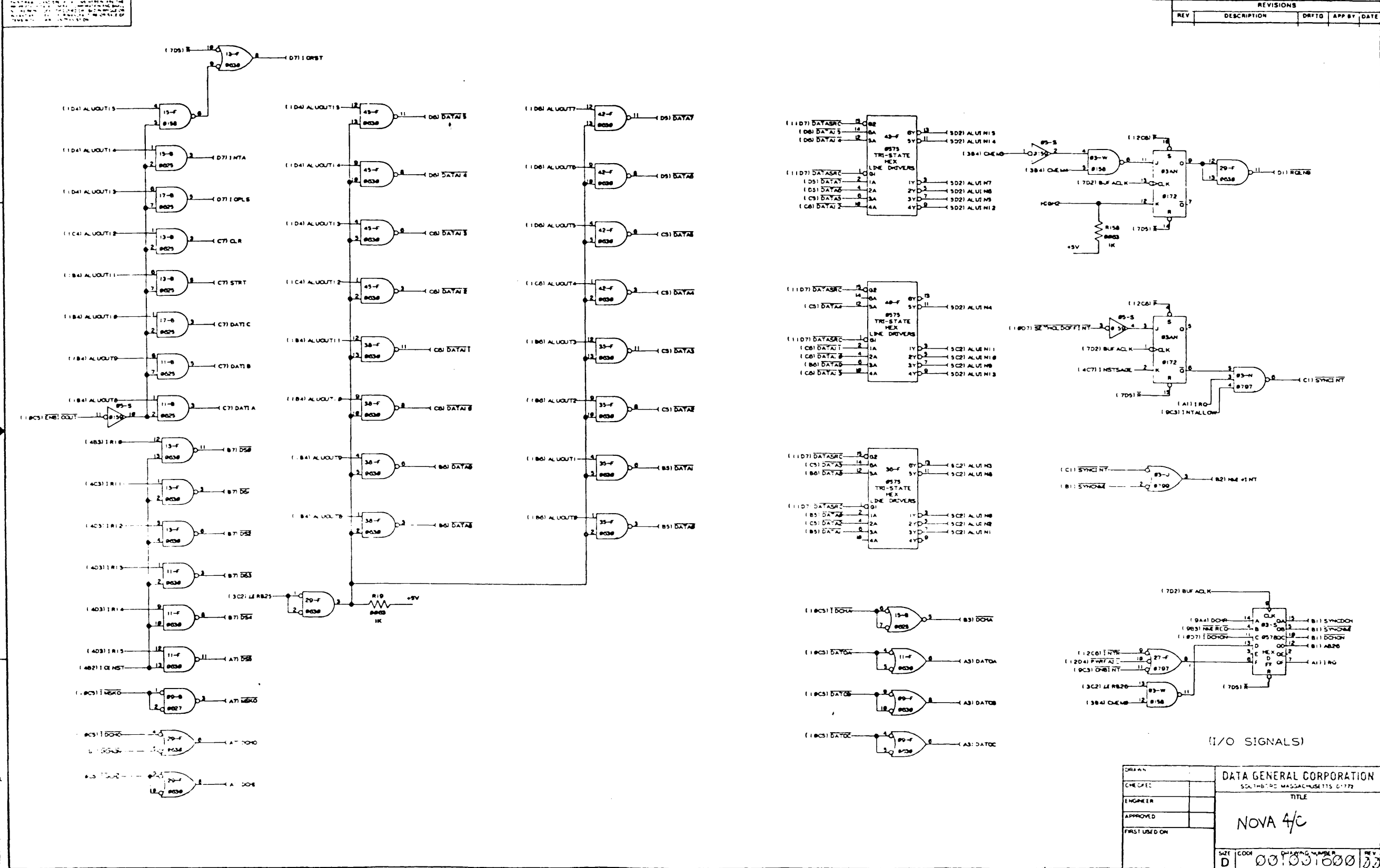
REVISIONS			
REV	DESCRIPTION	DATE	APP BY

- MEMORY TEST POINTS
- TP7 → 0A0 NONCAS
  - TP4 → A01 TESTRT
  - TP3 → A01 TESTRT
  - TP1 → A01 TESTRT
  - TP5 → B01 ENHANCER

DESIGN	DATA GENERAL CORPORATION
CHECKED	SOUTHFIELD, MASSACHUSETTS 01112
ENGINEER	TITLE
APPROVED	NOVA 4/C
FIRST USED ON	DATE CODE 00 00 00 00 00

REVISIONS			
REV	DESCRIPTION	DATE	APP BY

REVISIONS				
REV	DESCRIPTION	DRFTD	APP BY	DATE



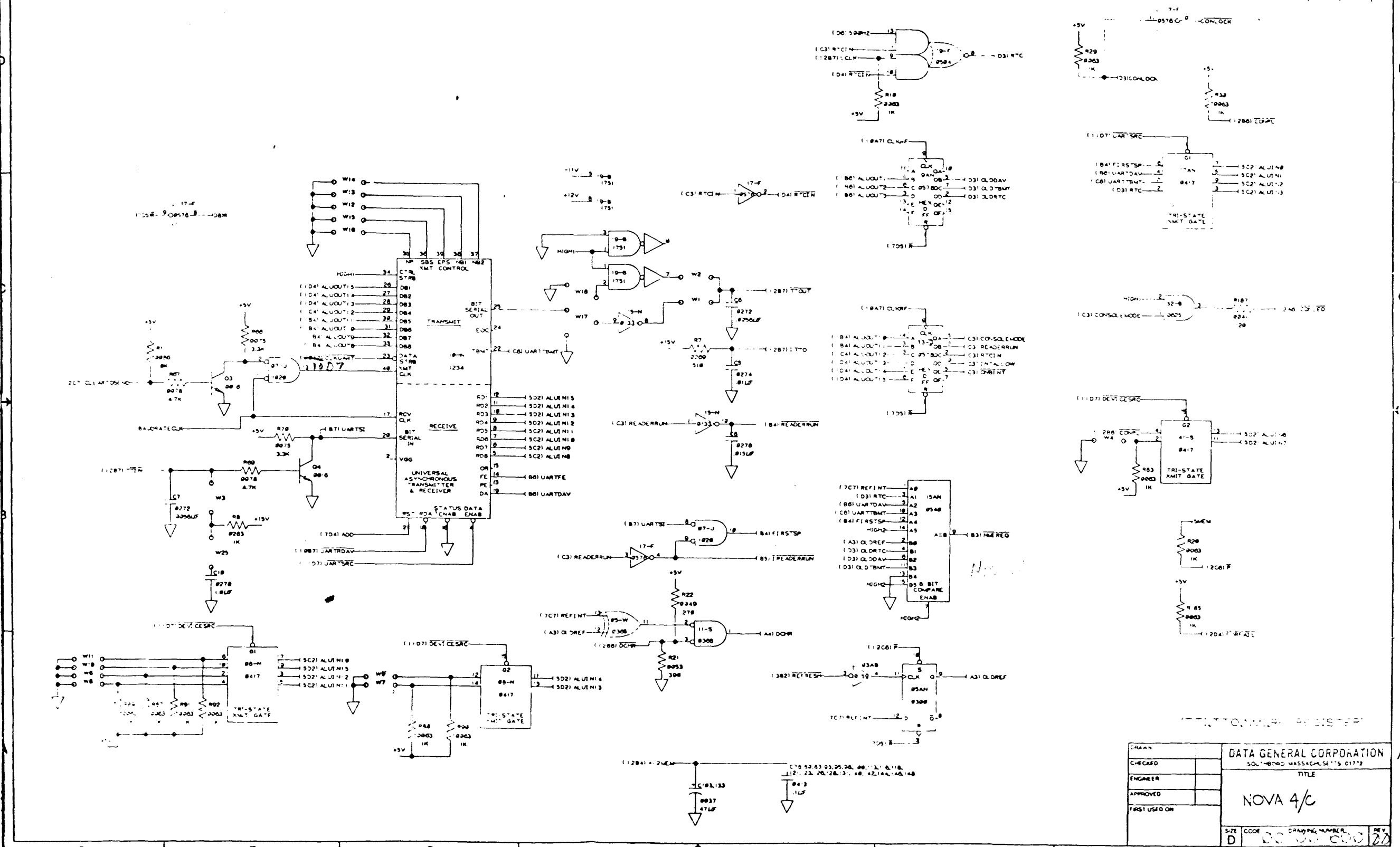
(I/O SIGNALS)

DRAWN	DATA GENERAL CORPORATION
CHECKED	SOUTH BRIDGE MASSACHUSETTS 01772
ENGINEER	TITLE
APPROVED	NOVA 4/C
FIRST USED ON	SIZE CODE DRAWING NUMBER REV
	D 001001000 33

REVISIONS				
REV	DESCRIPTION	DRFTD	APP BY	DATE

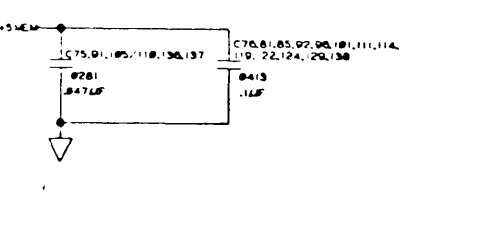
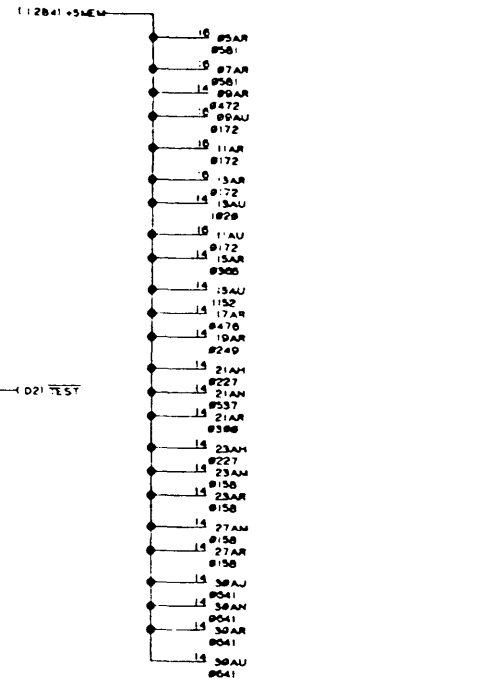
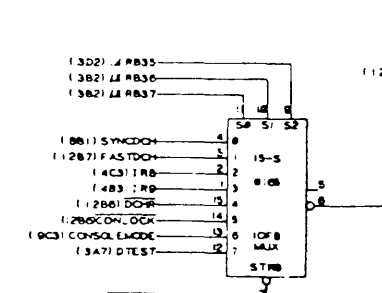
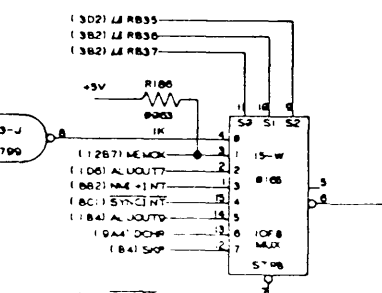
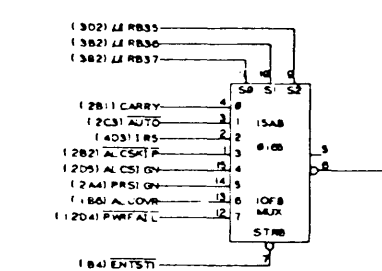
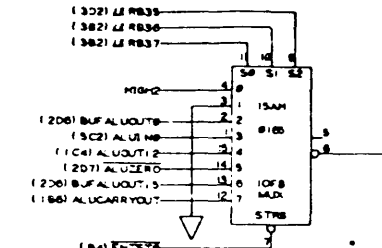
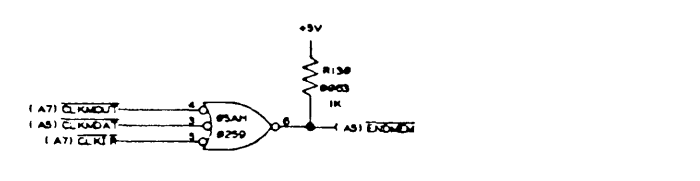
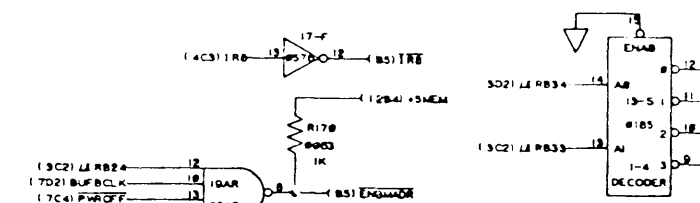
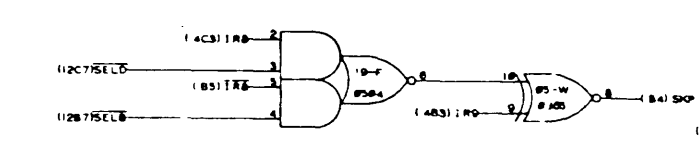
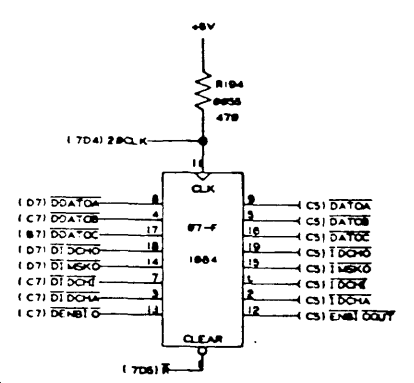
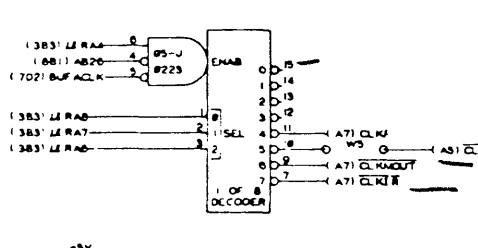
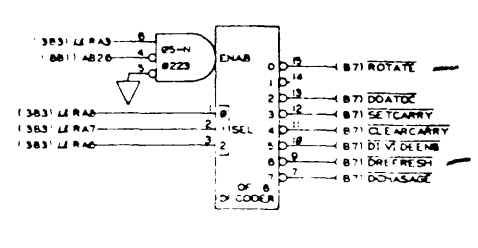
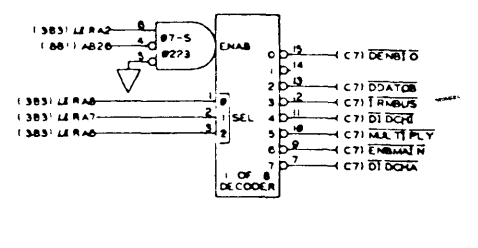
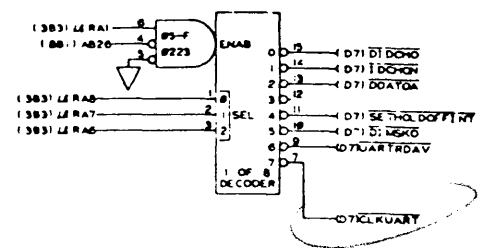


REVISIONS			
REV	DESCRIPTION	DRFTG	APP BY DATE



DESIGNED		DATA GENERAL CORPORATION	
CHECKED		SOL-BRDG MASSACHUSETTS 01772	
ENGINEER		TITLE	
APPROVED		NOVA 4/C	
FIRST USED ON		SIZE	CODE
		D	00 00 000 20

REVISIONS			
REV	DESCRIPTION	DRFTG	APPY DATE



(RANDOM DECODERS, TEST MUX)

DATE	DATA GENERAL CORPORATION
DESIGN	DATA GENERAL CORPORATION
REV	
APPROVED	



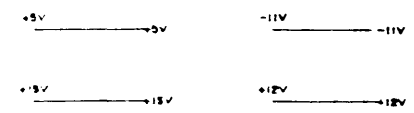
REVISIONS				
REV	DESCRIPTION	DRFTD	APP BY	DATE

A201 O (A4) GND. S  
A202 O (A4) GND. S  
A203 O (B4) +5V  
A204 O (B4) +5V  
A205 O  
A206 O  
A207 O  
A208 O  
A209 O  
A210 O (D8) +15V  
A211 O  
A212 O  
A213 O  
A214 O  
A215 O  
A216 O  
A217 O  
A218 O  
A219 O  
A220 O  
A221 O  
A222 O  
A223 O  
A224 O  
A225 O  
A226 O  
A227 O  
A228 O  
A229 O  
A230 O  
A231 O  
A232 O  
A233 O  
A234 O  
A235 O  
A236 O (B4) EXT. ACLK  
A237 O  
A238 O (B4) HSRD  
A239 O  
A240 O (B0) INTA  
A241 O  
A242 O (A0) DATA B  
A243 O  
A244 O (A0) DATA A  
A245 O  
A246 O (B0) DS3  
A247 O  
A248 O (B4) DATOC  
A249 O  
A250 O (B0) CLR

A251 O  
A252 O (B0) STRT  
A253 O  
A254 O (B0) DATA C  
A255 O  
A256 O (B4) DATOB  
A257 O  
A258 O (B4) DATOA  
A259 O  
A260 O (B0) DCKA  
A261 O  
A262 O (B0) DS4  
A263 O  
A264 O (B4) DS5  
A265 O  
A266 O (B0) DS6  
A267 O  
A268 O (B0) DS7  
A269 O  
A270 O (B0) IOPST  
A271 O  
A272 O (B0) DS8  
A273 O  
A274 O (B0) IOPLS  
A275 O  
A276 O  
A277 O  
A278 O  
A279 O  
A280 O (C7) SECD  
A281 O (C7) CLEAR TO SEND  
A282 O (B7) SELB  
A283 O (B7) ITD  
A284 O  
A285 O (B7) TTYOUT  
A286 O  
A287 O  
A288 O (B7) LCLK  
A289 O (B0) READERRUN  
A290 O (B0) 5 BPHZ  
A291 O  
A292 O  
A293 O  
A294 O (B7) TTYIN  
A295 O (B7) FASTDCH  
A296 O (B7) MEMOK  
A297 O (B4) +5V  
A298 O (A4) GND. S  
A299 O (A4) GND. S  
A300 O

B001 O (A4) GND. S  
B002 O (A4) GND. S  
B003 O (B4) +5V  
B004 O (B4) +5V  
B005 O  
B006 O  
B007 O  
B008 O  
B009 O  
B010 O  
B011 O  
B012 O  
B013 O  
B014 O  
B015 O  
B016 O  
B017 O (C0) DCKB  
B018 O  
B019 O  
B020 O  
B021 O  
B022 O  
B023 O (C0) TESTRESPT  
B024 O  
B025 O (C0) F  
B026 O  
B027 O  
B028 O  
B029 O (C0) INTX  
B030 O  
B031 O  
B032 O  
B033 O (B4) DCKD  
B034 O  
B035 O (B0) DS9  
B036 O  
B037 O (B4) DCKE  
B038 O  
B039 O  
B040 O (B0) CONLOCK  
B041 O (B0) ROENB  
B042 O  
B043 O  
B044 O  
B045 O  
B046 O  
B047 O  
B048 O (B0) ZGPH  
B049 O (A0) TOREED  
B050 O

B051 O (D4) ZORSTH  
B052 O (D4) ZORSTL  
B053 O  
B054 O (D4) PWRFAI  
B055 O (B0) DATAY  
B056 O (B0) DATAZ  
B057 O (B0) DATAY  
B058 O (B0) DATAY  
B059 O (B0) DATAY  
B060 O (B0) DATAY  
B061 O (B0) DATAY  
B062 O (B0) DATAY  
B063 O (B0) DATAY  
B064 O (B0) DATAY  
B065 O (B0) DATAY  
B066 O (B0) DATAY  
B067 O  
B068 O  
B069 O  
B070 O (B4) +12VEM  
B071 O (B4) +12VEM  
B072 O (B4) +12VEM  
B073 O (B0) DATAY  
B074 O  
B075 O (B0) DATAY  
B076 O  
B077 O (C7) -11V  
B078 O  
B079 O (D0) PWRCK  
B080 O  
B081 O  
B082 O (B0) DATAY  
B083 O  
B084 O  
B085 O  
B086 O  
B087 O (B4) +12V  
B088 O (B4) +12V  
B089 O  
B090 O (B4) +12V  
B091 O (B4) -5VEM  
B092 O  
B093 O (B4) +5VEM  
B094 O (B4) +5VEM  
B095 O (B0) DATAY  
B096 O (B4) MEMO SASTOR  
B097 O (B4) +5V  
B098 O (B4) +5V  
B099 O (A4) GND. S  
B100 O (A4) GND. S



DESIGN	DATA GENERAL CORPORATION
CHECKED	SOUTH BORO MASSACHUSETTS 01172
ENGINEER	TITLE
APPROVED	NOVA 4/C
FIRST USED ON	
SIZE D	CODE 00100.000