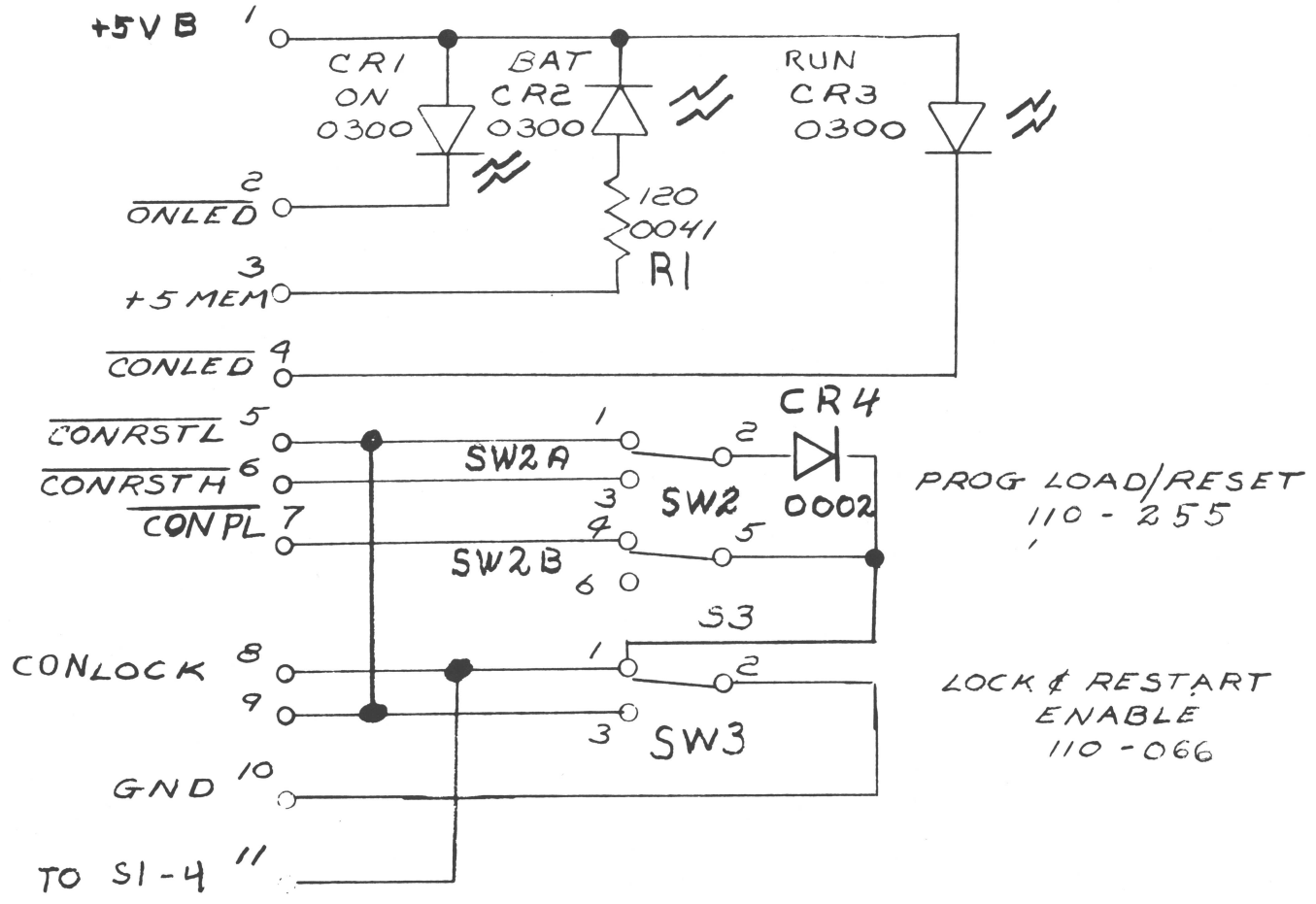


THIS DRAWING AND SPECIFICATIONS, HEREIN, ARE THE PROPERTY OF DATA GENERAL CORPORATION AND SHALL NOT BE REPRODUCED OR COPIED OR USED IN WHOLE OR IN PART AS THE BASIS FOR MANUFACTURE OR SALE OF ITEMS WITHOUT WRITTEN PERMISSION

REVISIONS				
REV.	DESCRIPTION	DRFTG.	APP. BY	DATE
00	RLSD PER ECO E553			10-13-78



NOTES:  
 1) SW2 SHOWN IN NEUTRAL POSITION  
 SW2 A SWITCHES FOR RESET  
 SW2 B SWITCHES FOR PROG LOAD  
 2) SW3 SHOWN IN THE NOT LOCKED POSITION

ITEM	QTY.	DESCRIPTION	PART NO.
DO NOT SCALE DRAWING. UNLESS OTHERWISE SPECIFIED USE D.G.C. SPECIFICATION 108-000028 FOR TOLERANCES AND WORKMANSHIP REQUIREMENTS		DRAWN <i>Mark Bulank</i> 4-20-78	<b>DATA GENERAL CORPORATION</b> SOUTHBORO, MASS. 01772  TITLE FRONT PANEL PCB DGC MACHINE
MATERIAL		CHECKED	
FINISH		ENGINEER	
		APPROVED <i>V. Leung</i> 9-25-78	
		FIRST USED ON 005012078	
		SCALE	CODE IDENT. 34984
		SIZE B	CODE 001
		DRAWING NUMBER 001585	REV. 00

BRUNING 40-526 20411-4

013000836-00