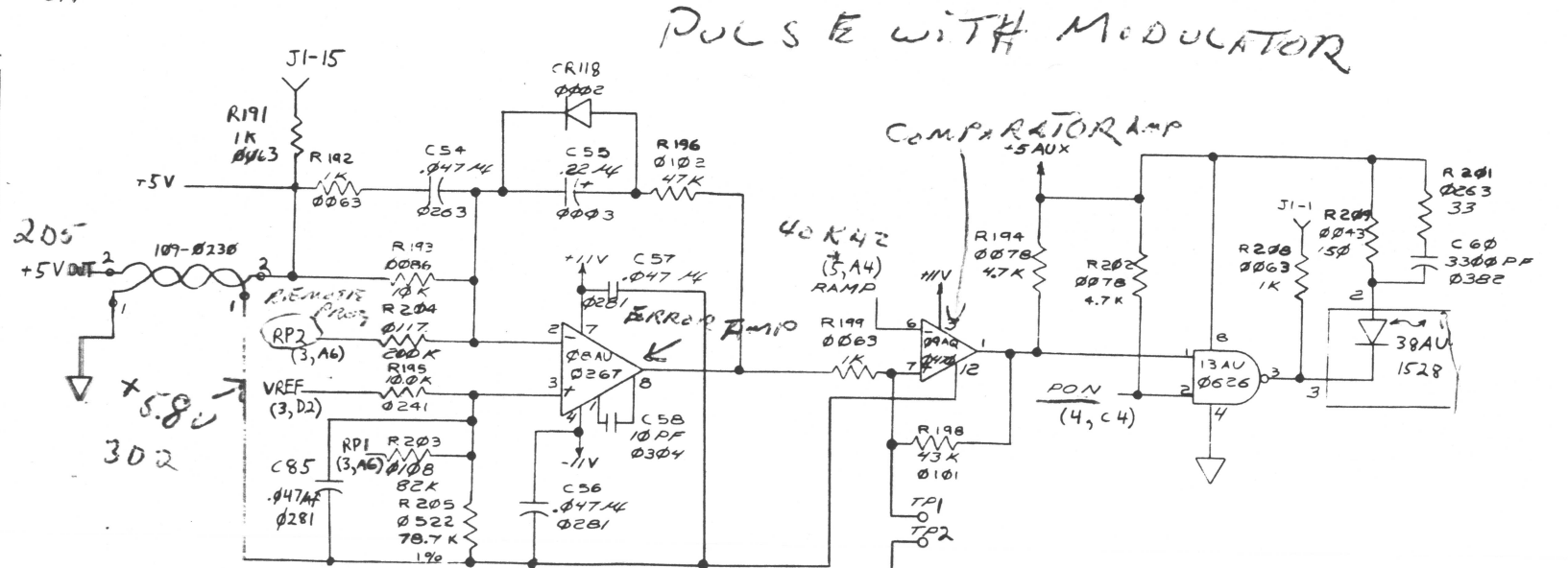
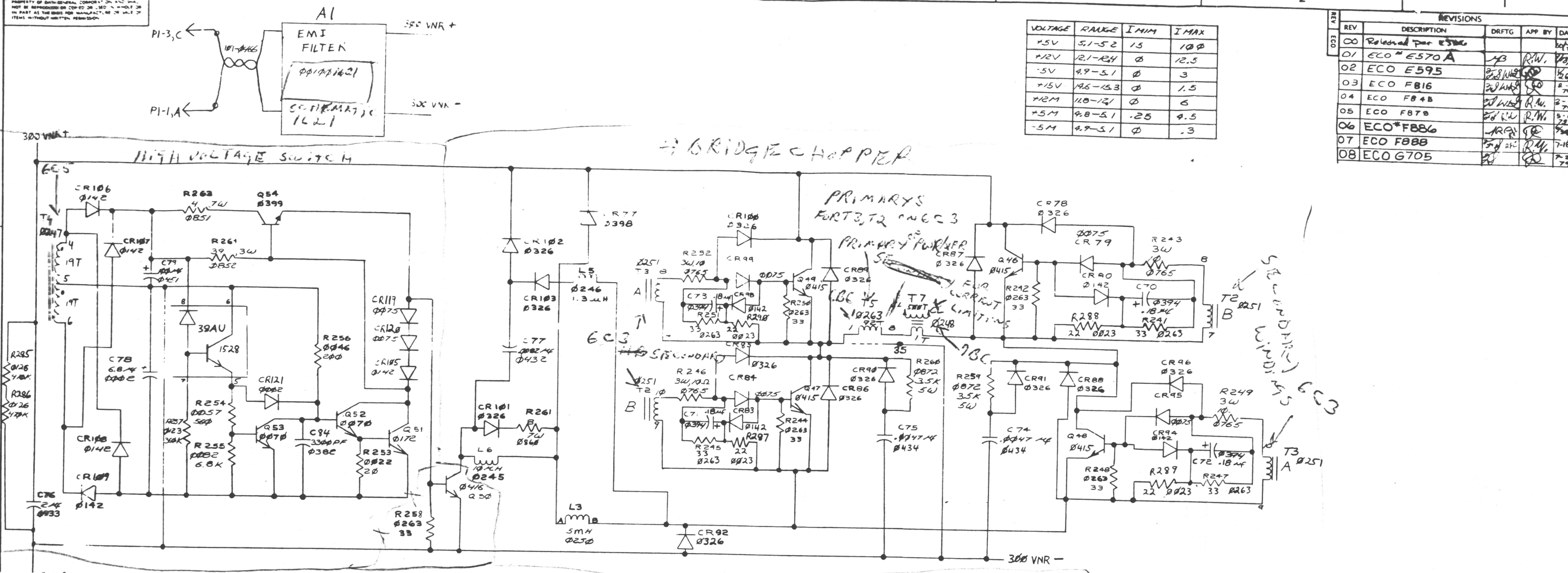


THIS DRAWING AND SPECIFICATIONS ARE THE PROPERTY OF DATA GENERAL CORPORATION AND SHALL NOT BE REPRODUCED OR COPIED IN ANY MANNER IN PART OR IN WHOLE WITHOUT WRITTEN PERMISSION.

REV	ECO	DESCRIPTION	DRFTG	APP BY	DATE
00		Released per E596			12/78
01		ECO # E570 A	JB	R.W.	1/6/79
02		ECO E595	W	R.W.	1/26/79
03		ECO FB16	W	R.W.	2-1-79
04		ECO FB4B	W	R.W.	2-9-79
05		ECO FB7B	W	R.W.	5-16-79
06		ECO #FB86	W	R.W.	7-18-79
07		ECO FB8B	W	R.W.	7-18-79
08		ECO G705	W	R.W.	7-25-79

VOLTAGE	RANGE	I MIN	I MAX
+5V	5.1-5.2	15	100
+12V	12.1-12.4	0	12.5
-5V	4.9-5.1	0	3
+15V	14.6-15.3	0	1.5
+12M	11.0-12.1	0	6
+5M	4.8-5.1	.25	9.5
-5M	4.9-5.1	0	.3



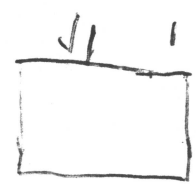
100 263 - USED AS ERROR AMP
 100 - 470 - USED AS COMPARETOR

WARNING:
 HAZARDOUS VOLTAGES EXIST ON THIS UNIT. SERVICE MUST ONLY BE PERFORMED BY QUALIFIED PERSONNEL.

SEE PAGE 3 FOR ALL NOTES.

ITEM	QTY	DESCRIPTION	PART NO.
1		DO NOT SCALE DRAWING UNLESS OTHERWISE SPECIFIED USE D.G.C. SPECIFICATION JOB 000026 FOR TOLERANCES AND WORKMANSHIP REQUIREMENTS	
2		FINISH	
SCALE		CODE IDENT.	SIZE
SCALE		34984	D
FIRST USED ON		005-1236	
DRAWN		Mark Bulak E-1478	
CHECKED			
ENGINEER		Paul Wilson 1/23/79	
APPROVED		W. J. Clavin 1/17/79	
MATERIAL			
TITLE		DATA GENERAL CORPORATION SOUTH BORO, MASS. 01772	
NOVA 4 POWER SUPPLY PCB		DRAWING NUMBER 001001524	
REV		REF	
08		08	

TEST POINTS	DESCRIPTION
1	PWM
2	CURRENT
3	RJR FNL
4	HVS
5	POK
6	-5V
7	+5AUX
8	+5V
9	GND
10	+12V
11	POW
12	Q30-C
13	Q29-C
14	VREF
15	+5V
16	EQK

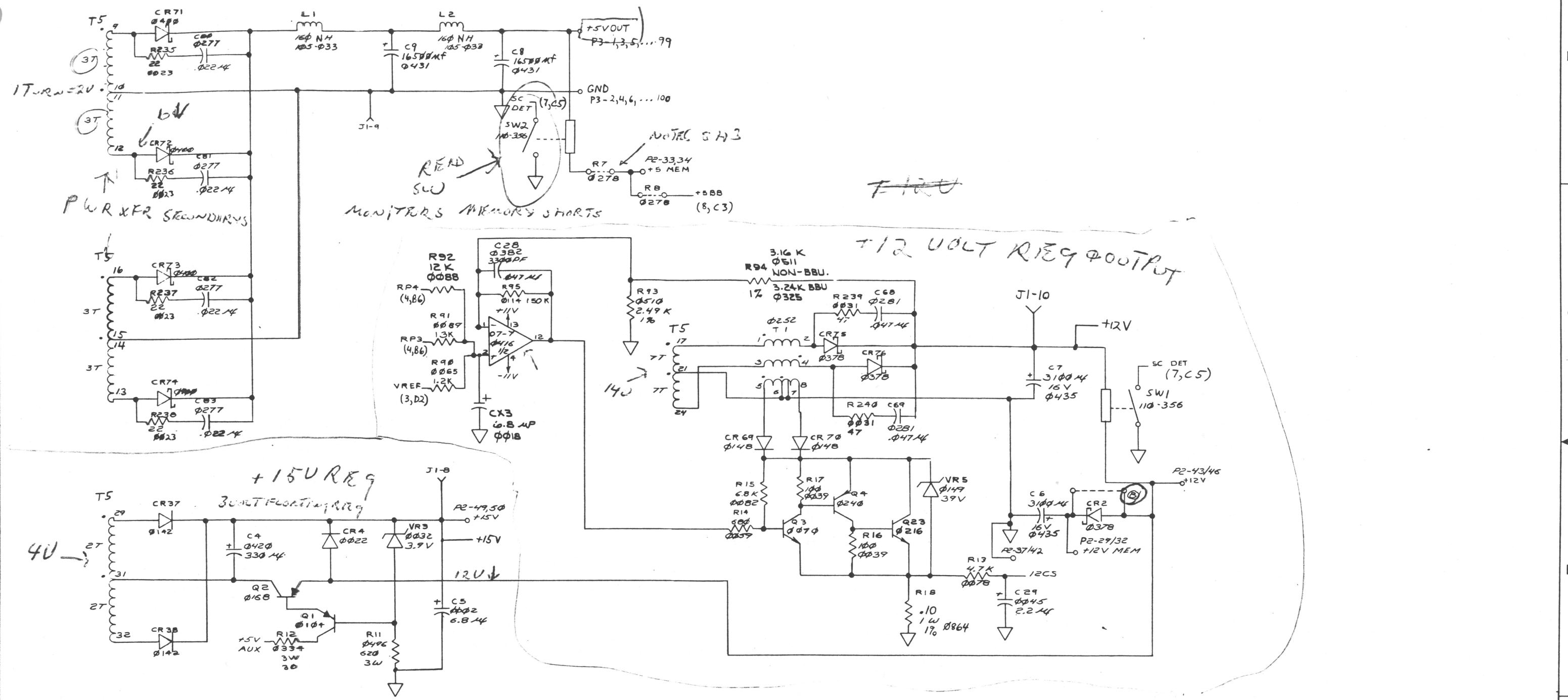


+5 regulator, HV Switching Section

300 VNR +
 300 VNR -

THIS DRAWING AND SPECIFICATIONS HEREIN ARE THE PROPERTY OF DATA GENERAL CORPORATION AND SHALL NOT BE REPRODUCED OR COPIED OR USED IN WHOLE OR IN PART AS THE BASIS FOR MANUFACTURE OR SALE OF ITEMS WITHOUT WRITTEN PERMISSION.

REVISIONS				
REV	DESCRIPTION	DRFTG	APP BY	DATE



ITEM	QTY	DESCRIPTION	PART NO

+5V Output, +12 Output + Regulator, +15 Regulator

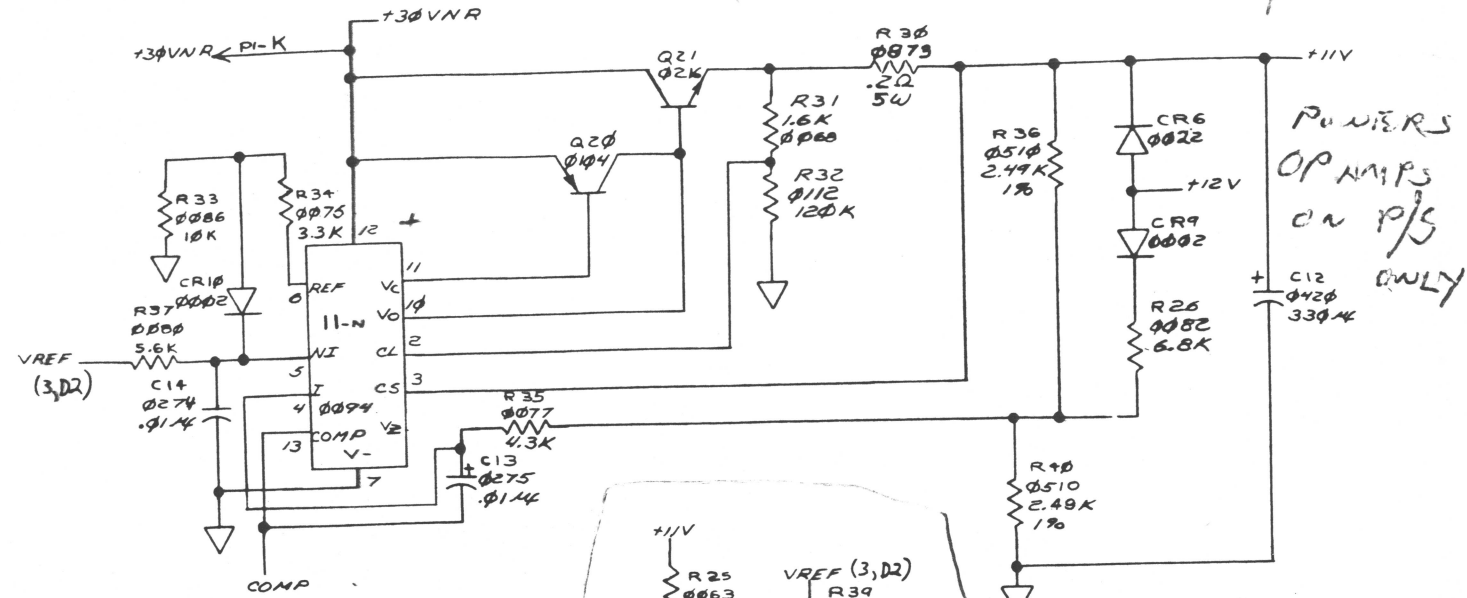
DO NOT SCALE DRAWING UNLESS OTHERWISE SPECIFIED USE D.G.C. SPECIFICATION 108-00028 FOR TOLERANCES AND WORKMANSHIP REQUIREMENTS	DRAWN <i>Frank Bulek</i> CHECKED	DATA GENERAL CORPORATION SOUTHBORO, MASS. 01772	
MATERIAL	ENGINEER	TITLE NOVA 4 POWER SUPPLY PCB	
FINISH	APPROVED	FIRST USED ON	
SCALE	CODE IDENT.	SIZE	CODE
	34984	D	
DRAWING NUMBER		REV	
001001524		08	

SHEET 2 OF 8

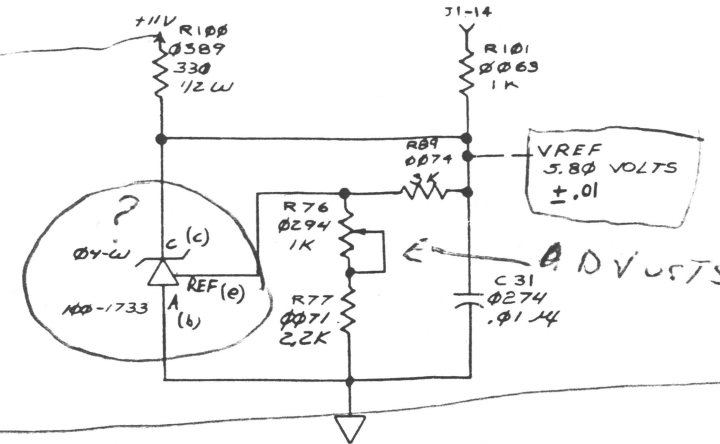
THIS DRAWING AND SPECIFICATIONS HEREIN ARE THE PROPERTY OF DATA GENERAL CORPORATION AND SHALL NOT BE REPRODUCED OR COPIED OR USED IN WHOLE OR IN PART AS THE BASIS FOR MANUFACTURE OR SALE OF ITEMS WITHOUT WRITTEN PERMISSION.

REVISIONS				
REV	DESCRIPTION	DRFTG	APP BY	DATE

+11V SERIES PASS REG



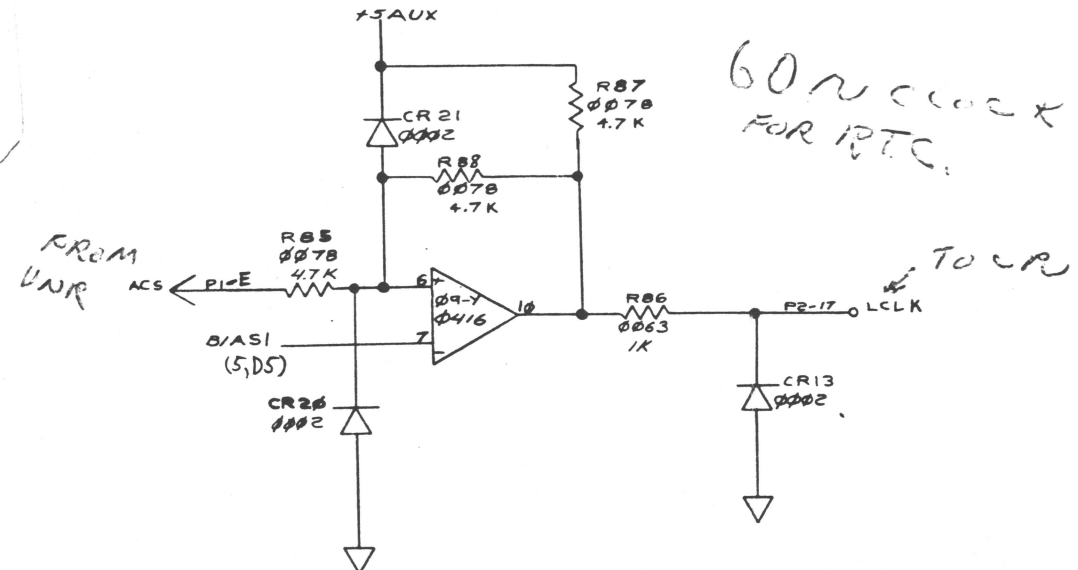
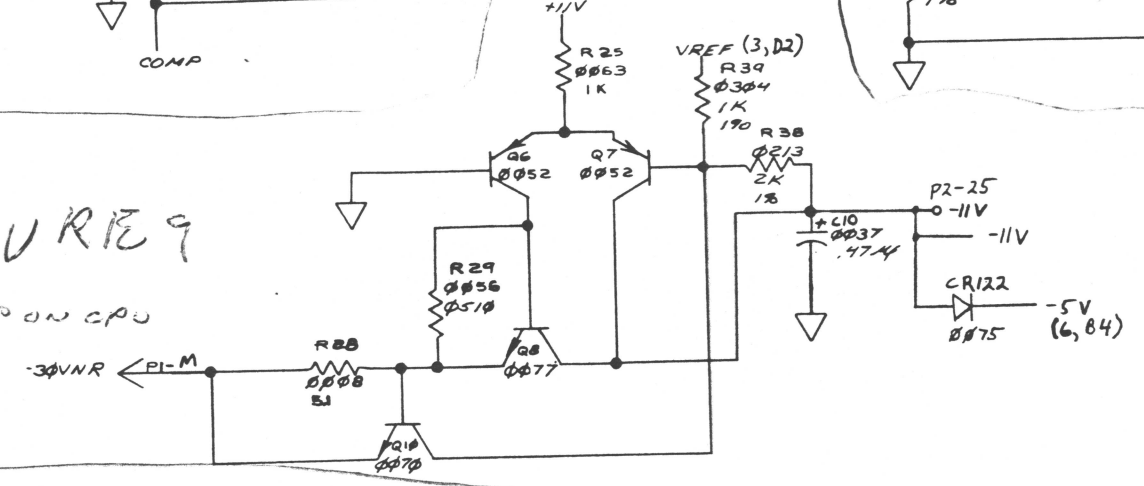
POWER SUPPLIES
ON P/S
ONLY



TO PULSE WITH MOD
-5V REG
+12V REG
-11V REG
ADJUSTS ALL VOLTAGES

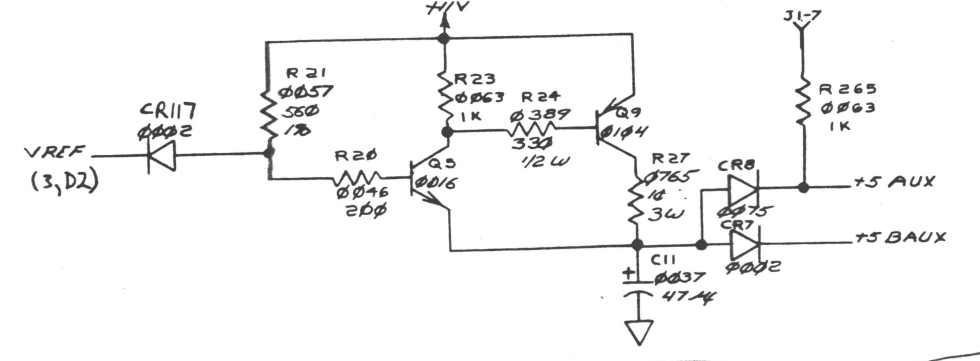
-11V REG

USED ON 1CHIP ON CPU
VART + 645



60mhz CLK
FOR RTC

+5AUX VOLTAGES SUPPORTS TTL & CLOCK LOGIC ON P/S



AUX REGULATORS

- NOTES:
- 1. \circ = 50 EDGE PIN CONNECTORS
 - ← = HIGH VOLTAGE EDGE CONNECTORS
 - 2. HIGH = PULL UP RESISTOR TO +5 AUX USE AS NEEDED.
 - 3. TP = TO TEST POINT AT FRONT OF CARD
 - 4. \circ TP X = TERMI-PIN TEST POINT
 - 5. U3 CONNECTS TO BATOX FOR BBU VERSION, TO 07-D PIN 6 FOR NON-BBU VERSION.
 - 6. R5, R7 NOT INSTALLED ON BBU VERSION.
 - 7. R6 IS 102-0278 FOR BBU VERSION, 101-0075 FOR NON-BBU VERSION.
 - 8. CR2 INSTALLED ON BBU VERSION, REPLACED BY JUMPER WIRE ON NON-BBU VERSION.
 - 9. CR35-CR38, CR99, CR50 TO BE STOOD ON END ALLOWING NO LEAD LENGTH BETWEEN P.C.B AND DIODE.
 - 10. ALL COMPONENTS ON PAGE 8 ARE FOR BATTERY BACKUP ONLY EXCEPT R107, R108, C32, CR23 AND ASSOCIATED JUMPER.

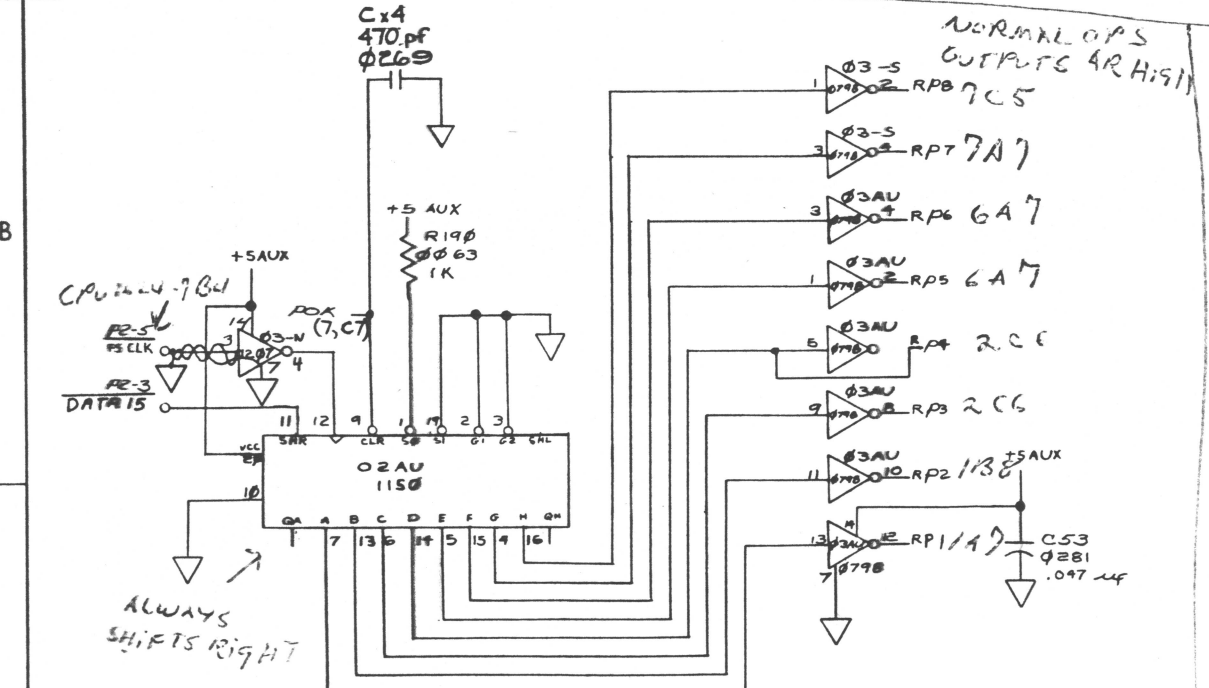
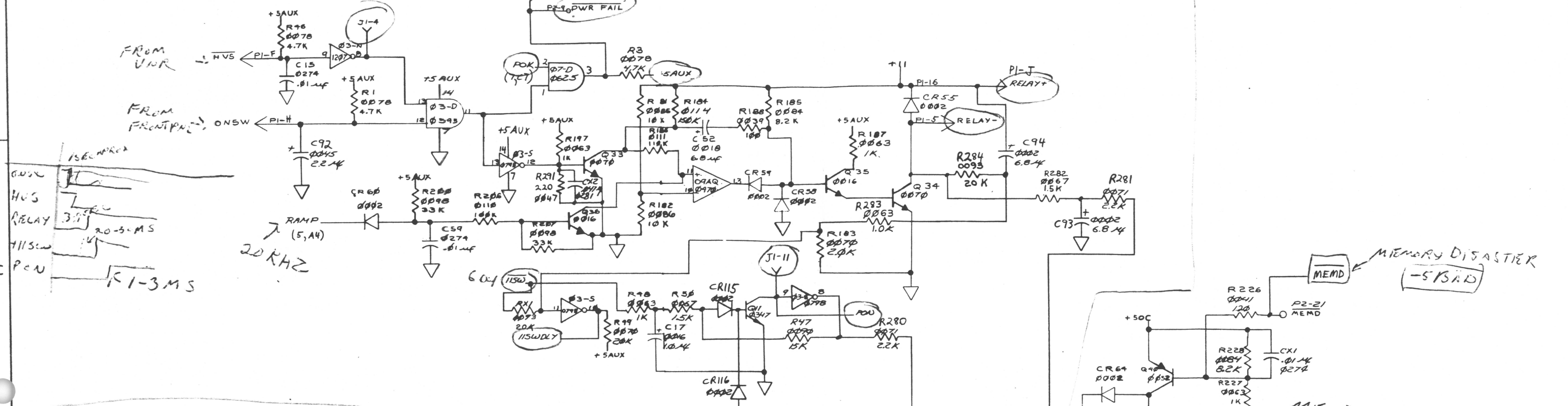
+11, -11, and +5Aux Regulators, VRef, LClock

ITEM	QTY	DESCRIPTION	PART NO.
DO NOT SCALE DRAWING UNLESS OTHERWISE SPECIFIED USE D.G.C. SPECIFICATION 108-000028 FOR TOLERANCES AND WORKMANSHIP REQUIREMENTS	DRAWN <i>Steve Bulak 2/28/78</i>	DATA GENERAL CORPORATION SOUTHBORO, MASS. 01772	
MATERIAL	ENGINEER	TITLE NOVA 4 POWER SUPPLY PCB	
FINISH	APPROVED	DRAWING NUMBER 001001524	
SCALE	FIRST USED ON	REV 08	SHEET 3 OF 8
CODE IDENT 34924	SIZE D	CODE	

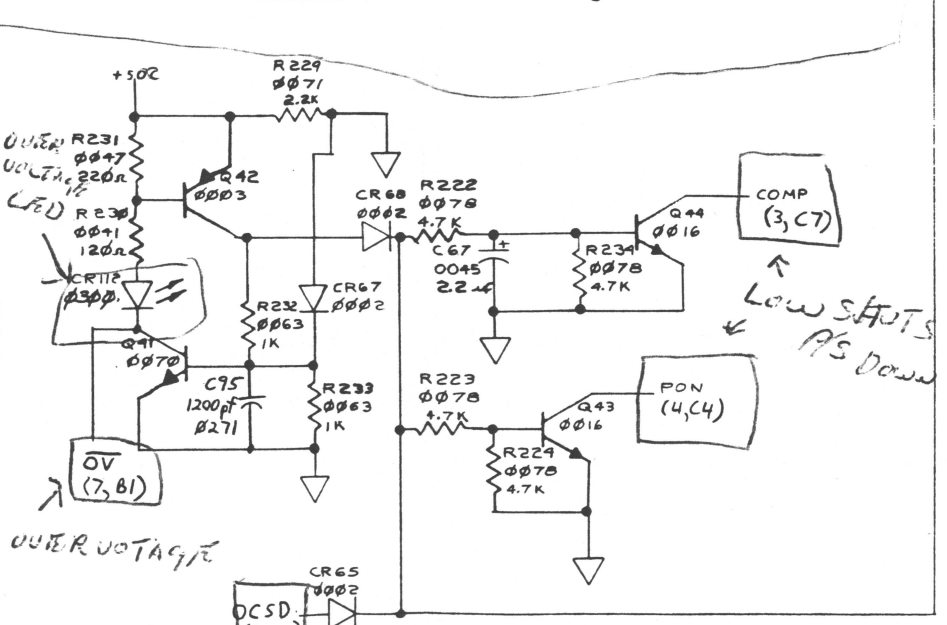
THIS DRAWING AND SPECIFICATIONS HEREIN ARE THE PROPERTY OF DATA GENERAL CORPORATION AND SHALL NOT BE REPRODUCED OR COPIED OR USED IN WHOLE OR IN PART AS THE BASIS FOR MANUFACTURE OR SALE OF ITEMS WITHOUT WRITTEN PERMISSION

REVISIONS				
REV	DESCRIPTION	DRFTG	APP BY	DATE

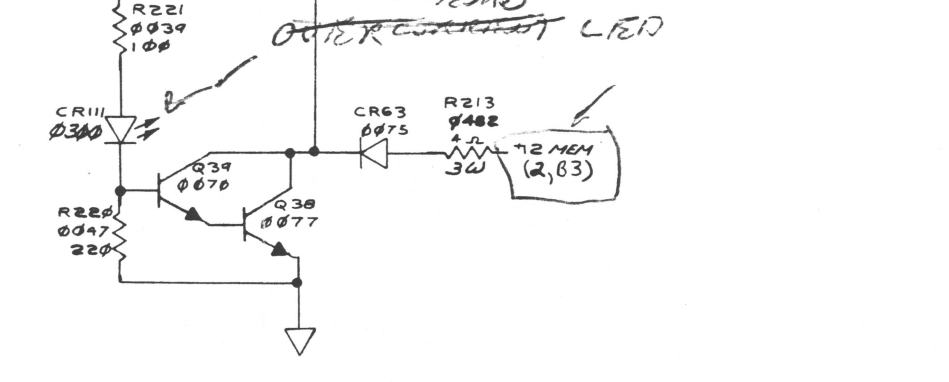
SOFT START SEQUENCING LOGIC



REMOTE PROGRAMMING LOGIC



EMERGENCY LATCHES



Soft Start + Sequencing, Remote Program, Emergency Latches

ITEM	QTY	DESCRIPTION	PART NO.

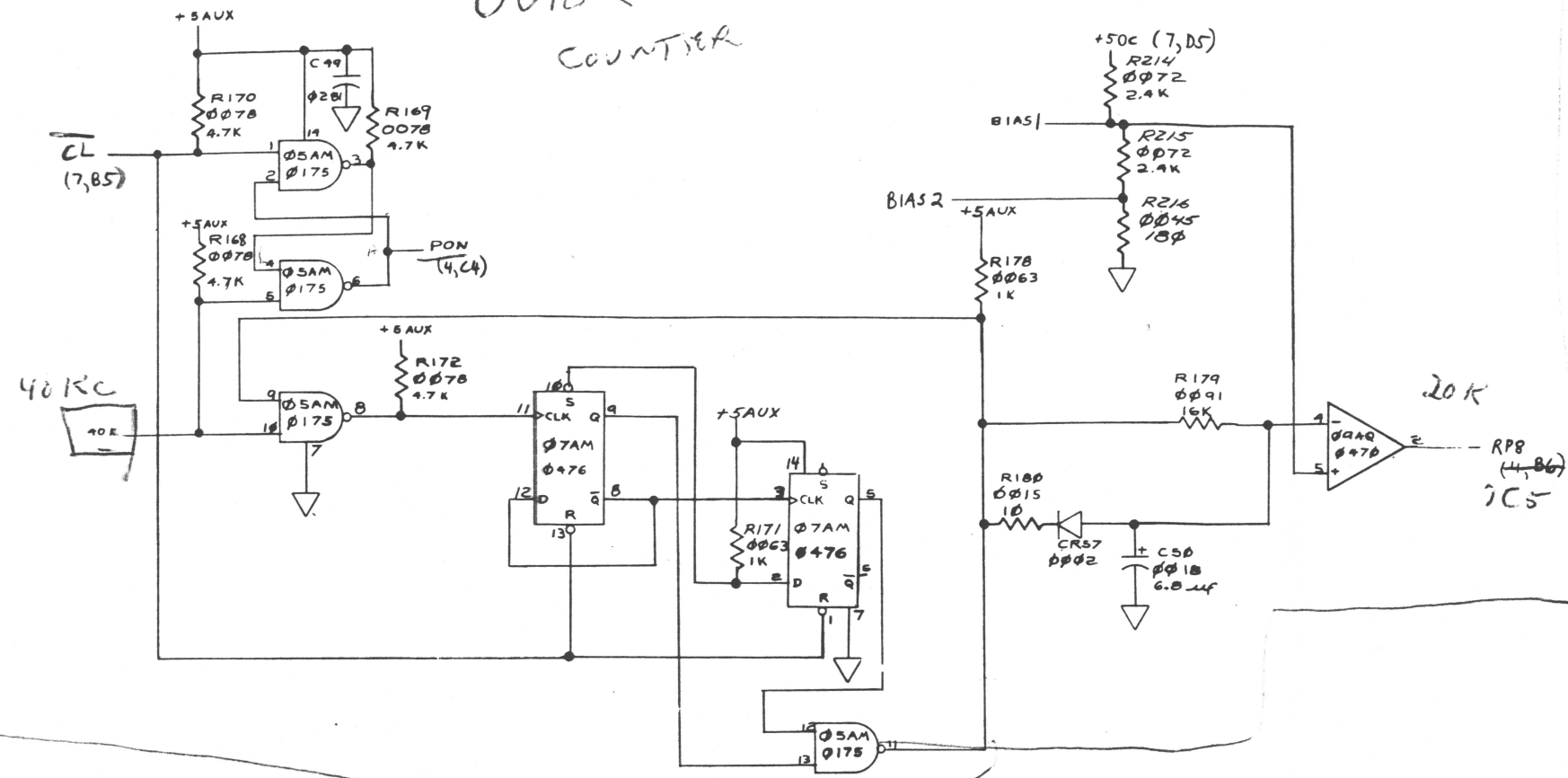
DO NOT SCALE DRAWING UNLESS OTHERWISE SPECIFIED USE D.G.C. SPECIFICATION 100-00028 FOR TOLERANCES AND WORKMANSHIP REQUIREMENTS	DRAWN Checked 		
MATERIAL	ENGINEER		
FINISH	APPROVED		
	FIRST USED ON		
	SCALE	CODE IDENT.	SIZE

DATA GENERAL CORPORATION SOUTHBORO, MASS. 01772			
TITLE NOVA 4 POWER SUPPLY PCB			
		DRAWING NUMBER	REV
		1001001524	08

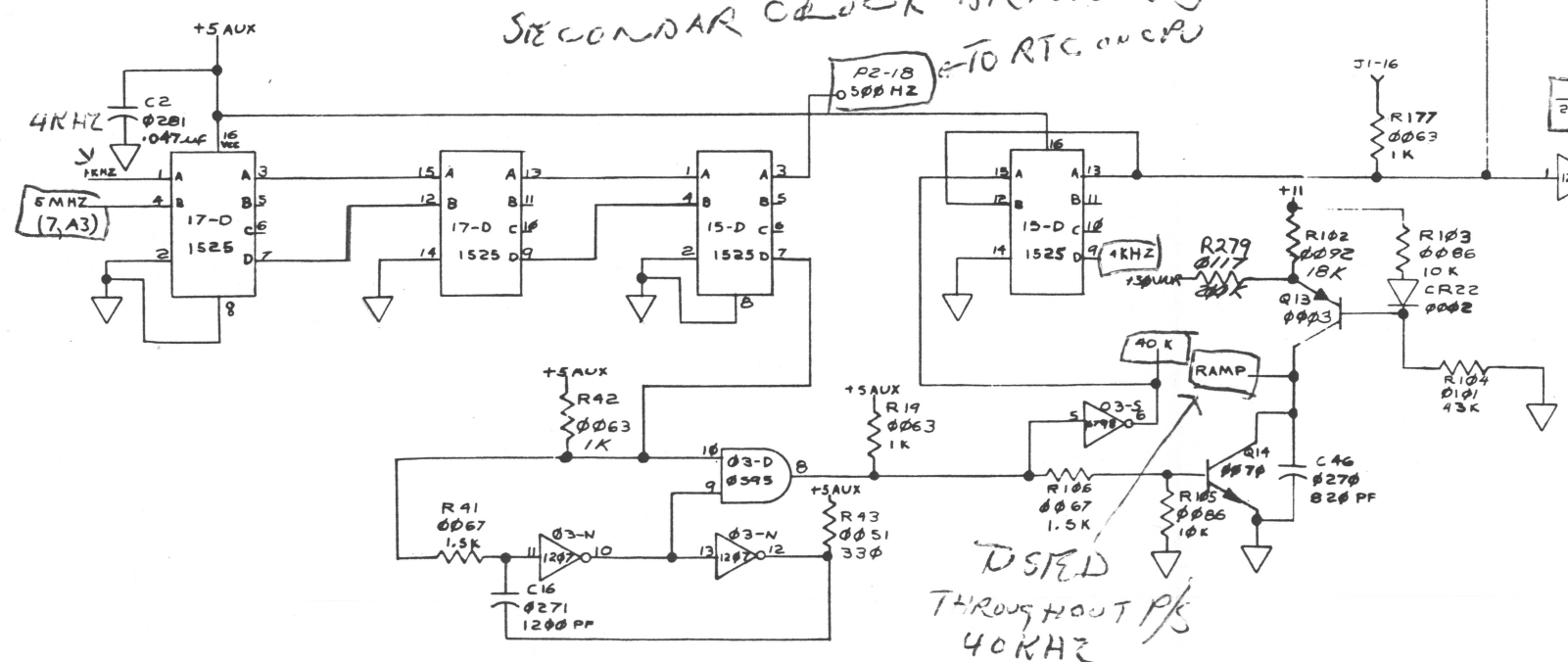
THE DRAWING AND SPECIFICATIONS HEREIN ARE THE PROPERTY OF DATA GENERAL CORPORATION AND SHALL NOT BE REPRODUCED OR COPIED OR USED IN WHOLE OR IN PART AS THE BASIS FOR MANUFACTURE OR SALE OF ITEMS WITHOUT WRITTEN PERMISSION.

REVISIONS				
REV	DESCRIPTION	DRFTG	APP BY	DATE
ECO				

OVER CURRENT COUNTER



SECONDARY CLOCK DRIVERS



TESTED THROUGHOUT P/S 40KHZ

20KHZ sig
 BIAS DRIVERS TO HBRIDGE CHOPPERS

ITEM		QTY.	DESCRIPTION	PART NO.
DO NOT SCALE DRAWING. UNLESS OTHERWISE SPECIFIED USE D.G.C. SPECIFICATION 108-00028 FOR TOLERANCES AND WORKMANSHIP REQUIREMENTS.				
DRAWN		3/2/78		
CHECKED				
ENGINEER				
APPROVED				
FIRST USED ON				
SCALE		CODE IDENT.	SIZE	CODE
		34984	D	001001524
				REV 08

DATA GENERAL CORPORATION
 SOUTHBORO, MASS. 01772
 TITLE
 NOVA 4
 POWER SUPPLY
 PCB

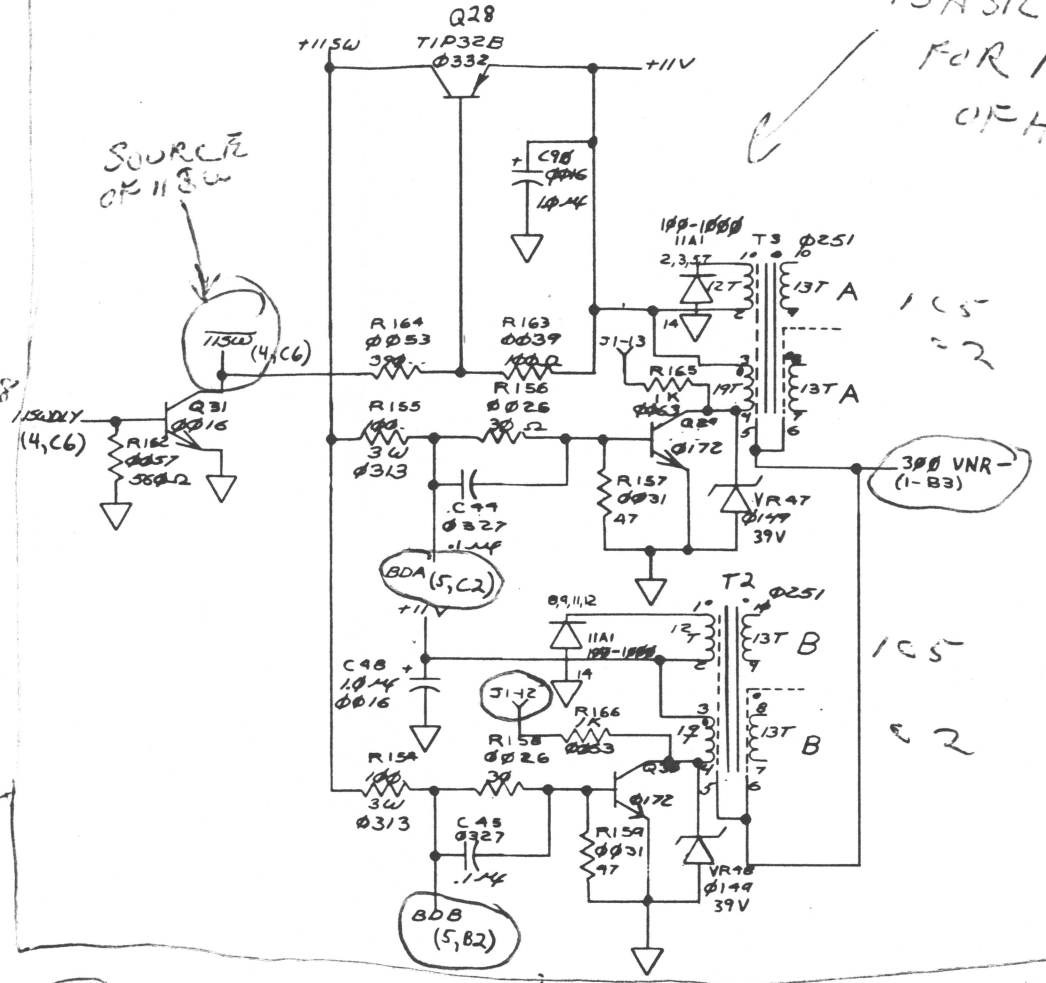
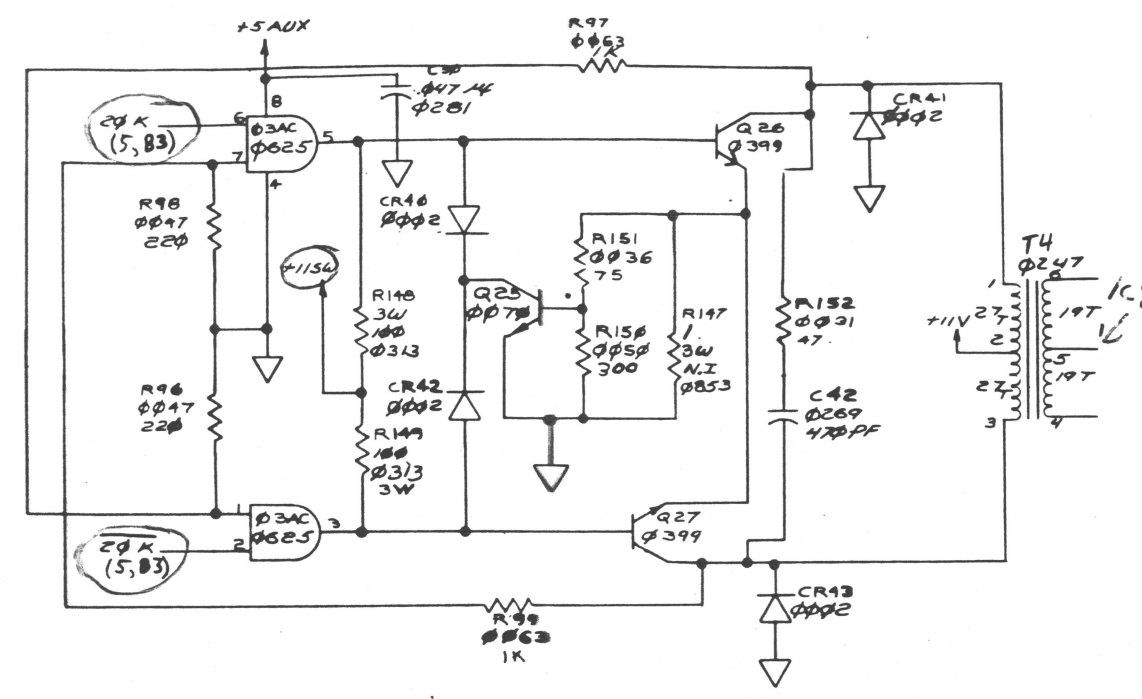
ALL DIMENSIONS AND SPECIFICATIONS HEREIN ARE THE PROPERTY OF DATA GENERAL CORPORATION AND SHALL NOT BE REPRODUCED OR COPIED OR USED IN WHOLE OR IN PART AS THE BASIS FOR MANUFACTURE OR SALE OF PRODUCTS WITHOUT WRITTEN PERMISSION

REVISIONS				
REV.	DESCRIPTION	DRFTG.	APP BY	DATE

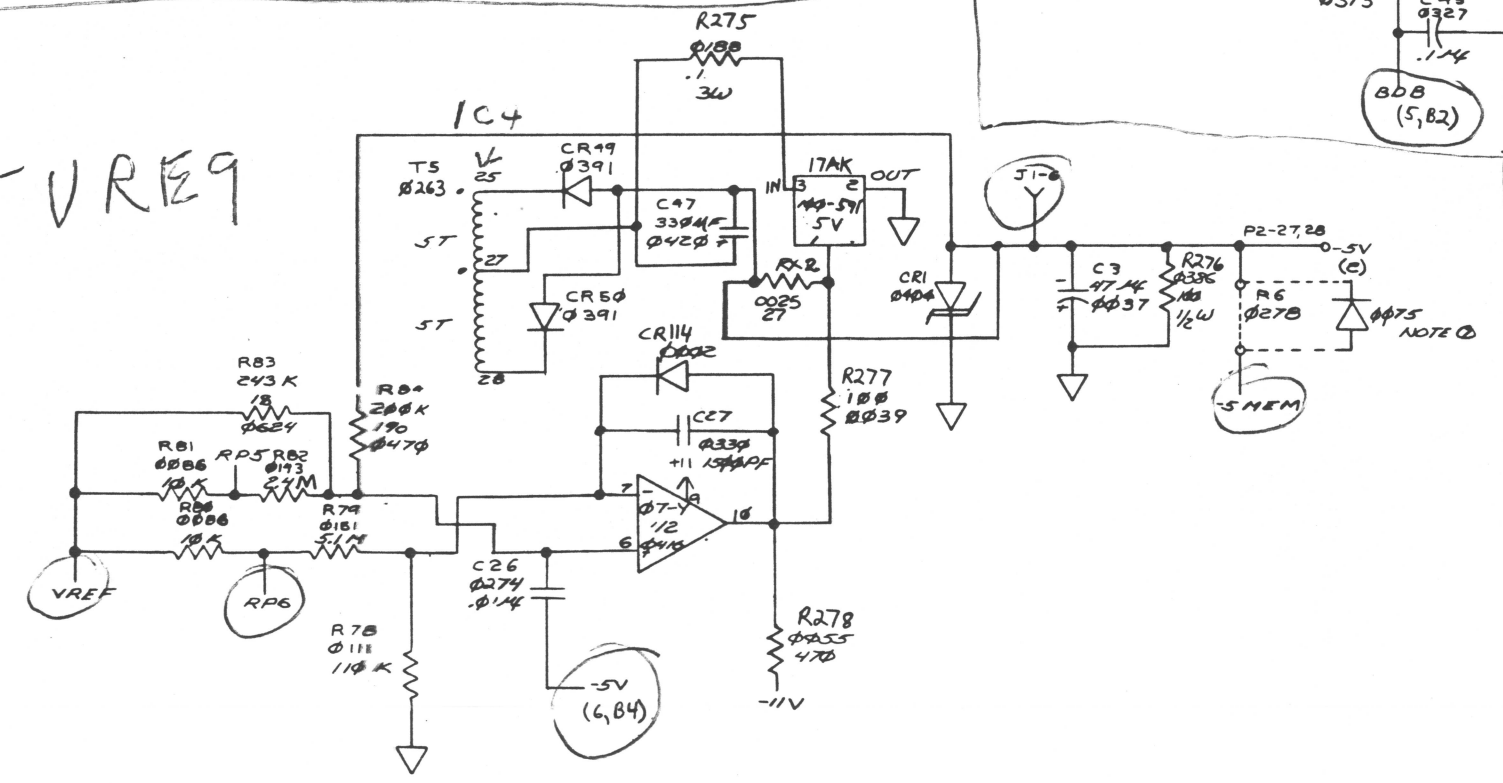
+OR - V FLOATING SUPPLY

DRIVES HUSWITCH

BASE DRIVERS FOR PRIMARIES OF H BRIDGE CROPPER



-5V REG



Base Drivers (Primary side), -5 Volt Output

ITEM	QTY.	DESCRIPTION	PART NO.

DO NOT SCALE DRAWING. UNLESS OTHERWISE SPECIFIED USE D.G.C. SPECIFICATION 108-00028 FOR TOLERANCES AND WORKMANSHIP REQUIREMENTS.	DRAWN: <i>Frank Busch</i> 2/21/78 CHECKED: ENGINEER: APPROVED: FIRST USED ON: SCALE: CODE IDENT: 34984 SIZE: D CODE: DRAWING NUMBER: 001001524 REV: CB	DATA GENERAL CORPORATION SOUTHBORO, MASS. 01772 TITLE: NOVA 4 POWER SUPPLY PCB
--	--	---

THIS DRAWING AND SPECIFICATIONS HEREIN ARE THE PROPERTY OF DATA GENERAL CORPORATION AND SHALL NOT BE REPRODUCED OR COPIED OR USED IN WHOLE OR IN PART AS THE BASIS FOR MANUFACTURE OR SALE OF ANYTHING WITHOUT WRITTEN PERMISSION

REVISIONS				
REV	REV	DESCRIPTION	DRFTG	APP BY D.

POWER OK
Logic

OVER CURRENT DETECT
BETHELLE DETECTOR

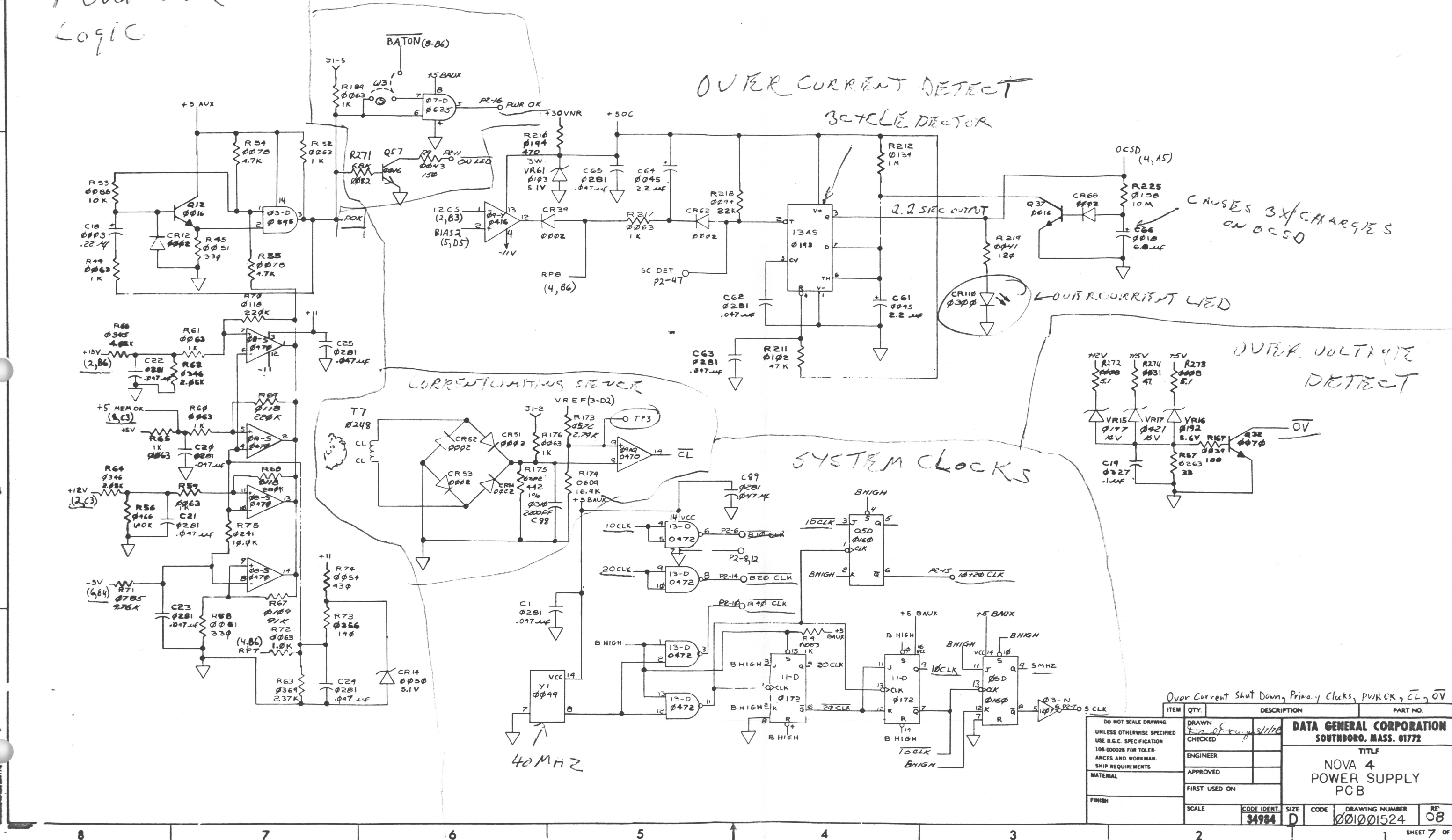
CAUSES 3X CHARGES ON OCSD

OVER CURRENT LED

OVER VOLTAGE DETECT

SYSTEM CLOCKS

CURRENT LIMITING SENSE



Over Current Shut Down, Primary Clocks, PWK CLK, CL, OV

ITEM	QTY.	DESCRIPTION	PART NO.

DO NOT SCALE DRAWING UNLESS OTHERWISE SPECIFIED USE D.G.C. SPECIFICATION 108-00028 FOR TOLER- ANCES AND WORKMAN- SHIP REQUIREMENTS		DRAWN 3/1/78		CHECKED		DATA GENERAL CORPORATION SOUTHBORO, MASS. 01772	
MATERIAL		ENGINEER		APPROVED		TITLE NOVA 4 POWER SUPPLY PCB	
FINISH		SCALE		CODE IDENT.		DRAWING NUMBER 001001524	
				SIZE D		REF. 08	

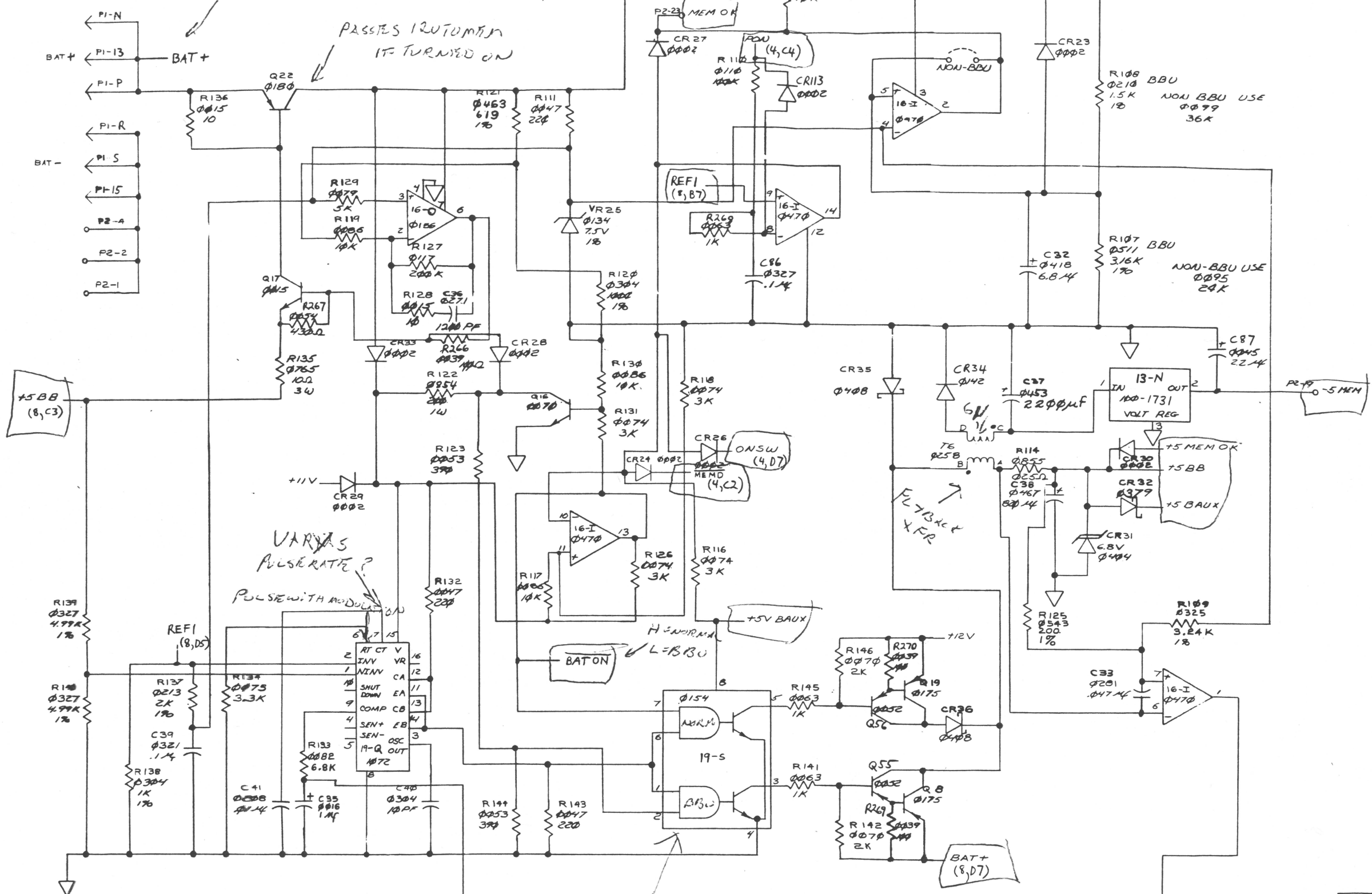
THIS DRAWING AND SPECIFICATIONS HEREIN ARE THE PROPERTY OF DATA GENERAL CORPORATION AND SHALL NOT BE REPRODUCED OR COPIED OR USED IN WHOLE OR IN PART AS THE BASIS FOR MANUFACTURE OR SALE OF ITEMS WITHOUT WRITTEN PERMISSION.

REVISIONS			
REV	DESCRIPTION	DRFTG	APP BY DATE

BATTERY CONNECT FROM UNR UNIT

PASSES 1200 MA IN IF TURNED ON

+12 MEM (2, B3)



BBU REGULATOR

Battery Back-up (+5 MEM, -5 MEM, +12 MEM)

ITEM	QTY	DESCRIPTION	PART NO

DO NOT SCALE DRAWING UNLESS OTHERWISE SPECIFIED USE D.G.C. SPECIFICATION 108-00028 FOR TOLERANCES AND WORKMANSHIP REQUIREMENTS	DRAWN Checked Pulak 3/1/73	DATA GENERAL CORPORATION SOUTHBORO, MASS. 01772	
MATERIAL	ENGINEER	TITLE	
FINISH	APPROVED	NOVA 4 POWER SUPPLY PCB	
	FIRST USED ON	SCALE	CODE IDENT. SIZE CODE DRAWING NUMBER REV.
			34984 D 001001524 08