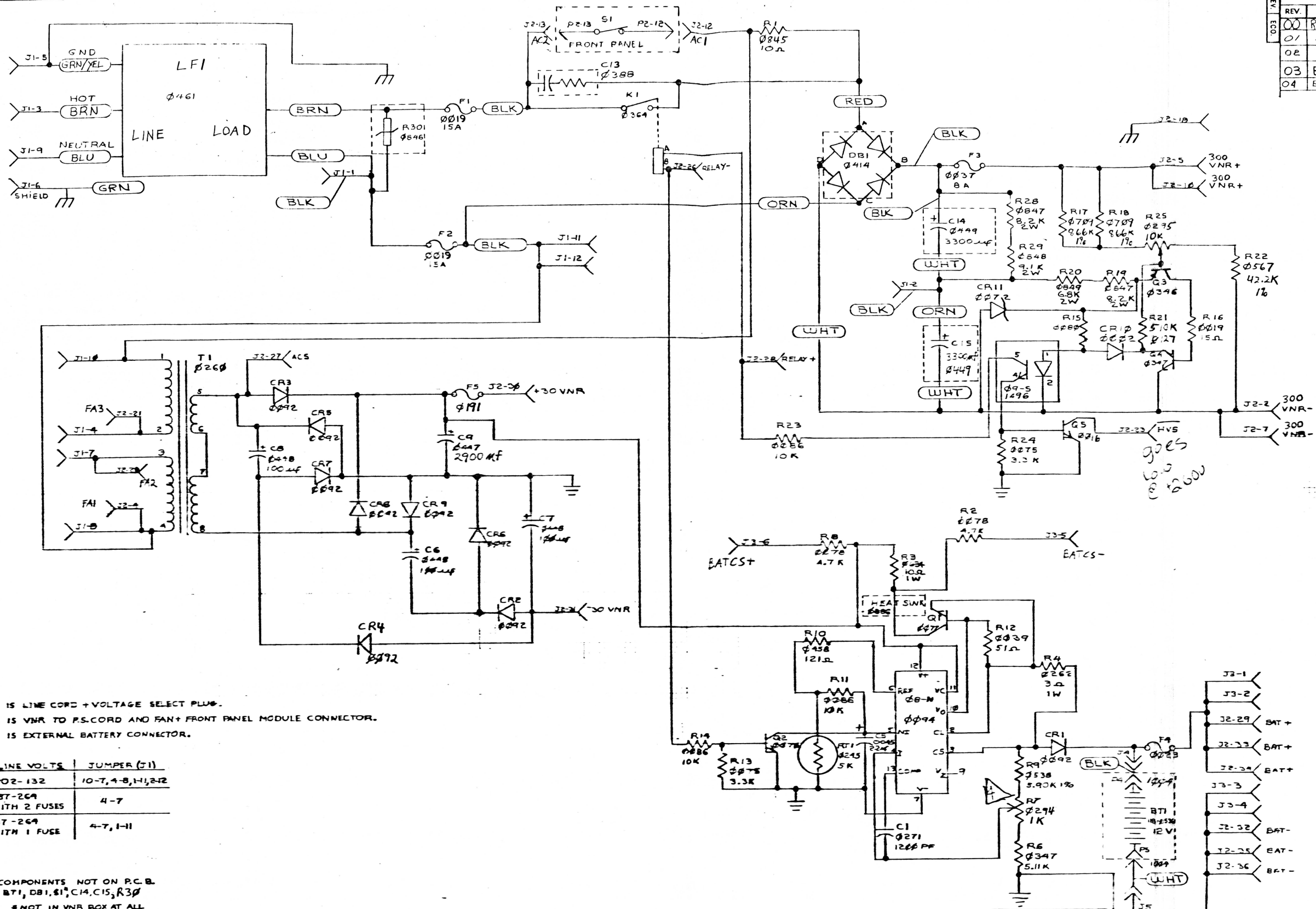


THIS DRAWING AND SPECIFICATIONS HEREIN ARE THE PROPERTY OF DATA GENERAL CORPORATION AND SHALL NOT BE REPRODUCED OR COPIED OR USED IN WHOLE OR IN PART AS THE BASIS FOR MANUFACTURE OR SALE OF ITEMS WITHOUT WRITTEN PERMISSION.

REVISIONS				
REV.	DESCRIPTION	DRFTG.	APP. BY	DATE
00	RLSD PER E555			10/12/78
01	ECO E556			10/12/78
02	ECO F846			2/2/79
03	ECO G732			11/1/79
04	ECO D684			10/17/79



- NOTES:
- J1 IS LINE CORD + VOLTAGE SELECT PLUG.  
J2 IS VNR TO P.S. CORD AND FAN + FRONT PANEL MODULE CONNECTOR.  
J3 IS EXTERNAL BATTERY CONNECTOR.
  - | LINE VOLTS           | JUMPER (J1)          |
|----------------------|----------------------|
| 102-132              | 10-7, 4-8, 1-1, 2-12 |
| 187-269 WITH 2 FUSES | 4-7                  |
| 187-269 WITH 1 FUSE  | 4-7, 1-11            |
  - COMPONENTS NOT ON P.C.B.  
BT1, DB1, S1, C14, C15, R30  
\* NOT IN VNR BOX AT ALL
  - R7 SETS BATTERY CHARGER OUTPUT VOLTAGE TO 14.1 VOLTS.  
R25 SETS LEVEL OF +300 VNR THAT CAUSES HV5 TO GO HIGH (WHEN +300 VNR DROPS FROM 300 VOLTS TO 235 VOLTS).

ARTWORK: 107-985-		ARTWORK VS SCHEMATIC		ITEM	QTY	DESCRIPTION	PART NO.
REV	SCHEMATIC REVISION	DO NOT SCALE DRAWING UNLESS OTHERWISE SPECIFIED	USE D.C.C. SPECIFICATION 108-00028 FOR TOLERANCES AND DIMENSIONS	DRAWN	5/14/78	DATA GENERAL CORPORATION WESTBORO, MASS. 01581	
01	01, 02, 03	108-00028 FOR TOLERANCES AND DIMENSIONS	SHIP REQUIREMENTS	CHECKED		TITLE DGC MACHINE	
				ENGINEER	1/1/78	VNR SECTION	
				APPROVED	1/1/78	FIRST USED ON 005012371	
				MATERIAL		SCALE	CODE IDENT
				FINISH		SIZE	DRAWING NUMBER
						0001	001523
							REV
							04