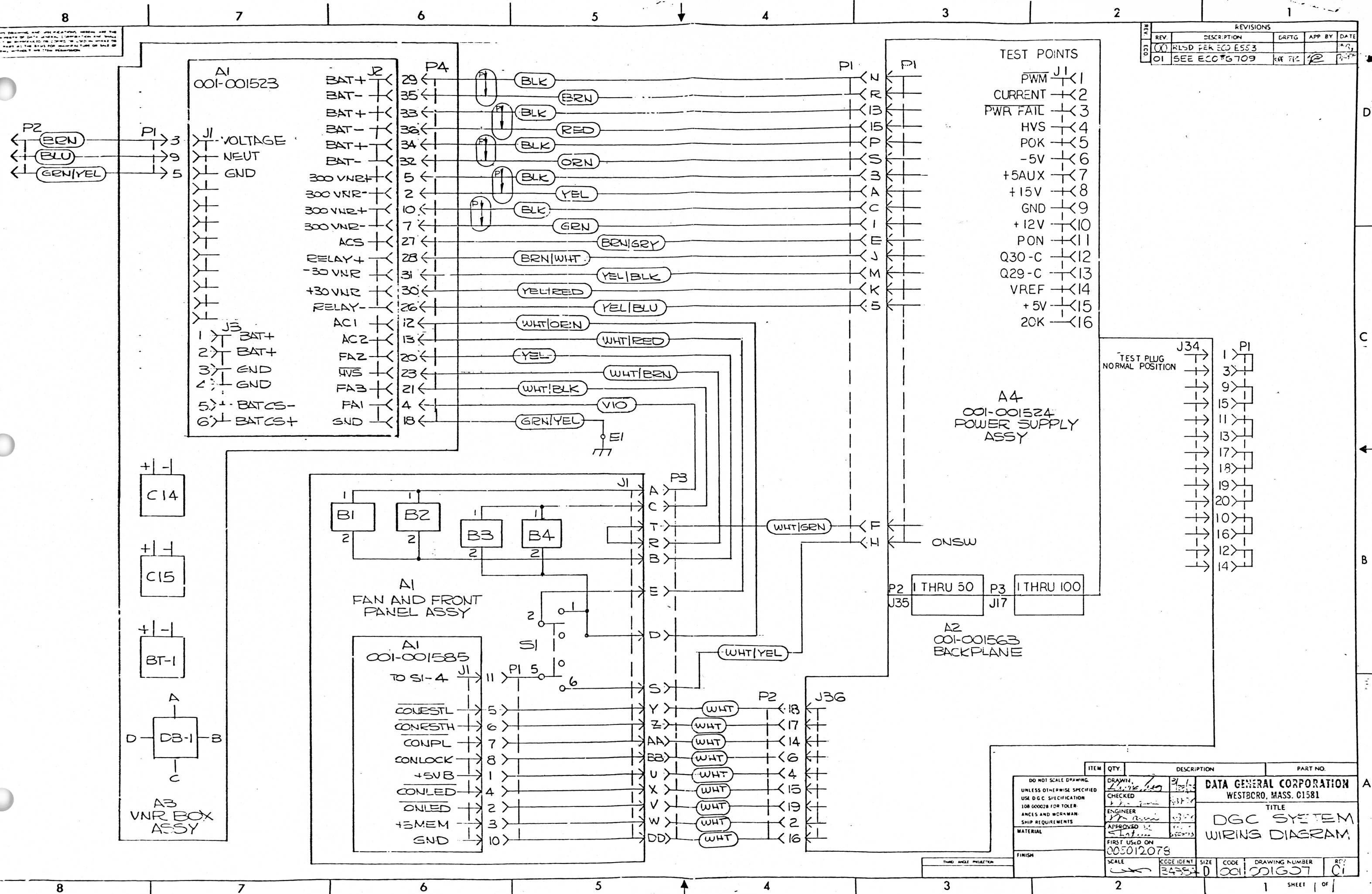
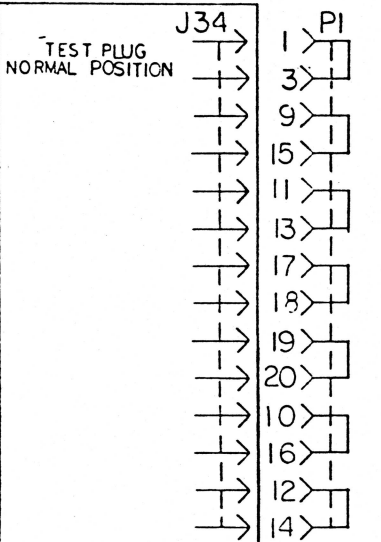


REVISIONS				
REV	DESCRIPTION	DRFTG	APP BY	DATE
00	RLSD PER ECO E553			7-77
01	SEE ECO #G709	KR 712	RE	7-77



- TEST POINTS
- PWM J1 1
 - CURRENT 2
 - PWR FAIL 3
 - HVS 4
 - POK 5
 - 5V 6
 - +5AUX 7
 - +15V 8
 - GND 9
 - +12V 10
 - PON 11
 - Q30-C 12
 - Q29-C 13
 - VREF 14
 - +5V 15
 - 20K 16



ITEM	QTY.	DESCRIPTION	PART NO.
DO NOT SCALE DRAWING. UNLESS OTHERWISE SPECIFIED USE D.G.C. SPECIFICATION 106 00028 FOR TOLERANCES AND WORKMANSHIP REQUIREMENTS.			
DRAWN			
CHECKED			
ENGINEER			
APPROVED			
MATERIAL			
FINISH			
FIRST USED ON 003012078			
SCALE	CODE IDENT	SIZE	CODE
	3455	D	001-001607
DRAWING NUMBER			REV
001-001607			01

DATA GENERAL CORPORATION
WESTBORO, MASS. 01581

TITLE
DGC SYSTEM
WIRING DIAGRAM