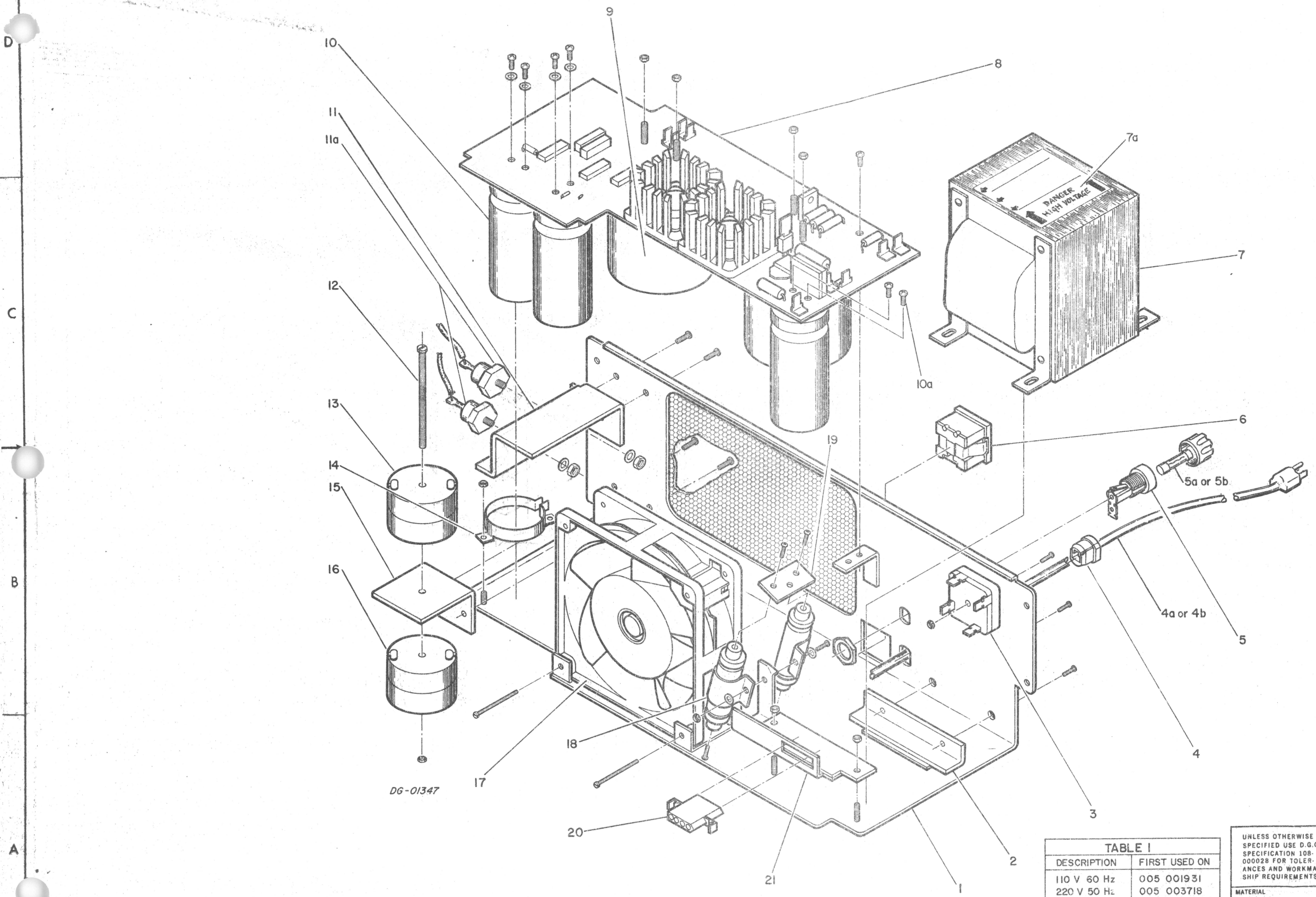


ALL DIMENSIONS AND SPECIFICATIONS HEREIN ARE THE PROPERTY OF DATA GENERAL CORPORATION AND SHALL NOT BE REPRODUCED OR COPIED OR USED IN WHOLE OR IN PART AS THE BASIS FOR MANUFACTURE OR SALE OF ANYTHING WITHOUT WRITTEN PERMISSION.

REVISIONS				
REV	DESCRIPTION	DRFTG	APP BY	DATE
00	RELEASED PER ETR# 4241			



ITEM	QTY	DESCRIPTION	PART NO
21	1	BRACKET, FILTER	002 000288
	2	KEPS NUT #8	106 000285
20	1	CONNECTOR, MOLEX	005 000345
19	1	FILTER TERM. BD	002 000302
	2	SCREW, SEMS 10-32x3/8 P.H. SLT.	106 000106
18	2	CAPACITOR, LINE FILTER 1000μF	103 000012
	1	SCREW, SEMS 10-32x5/8	106 000109
	2	LK WASH #10	106 000266
	1	KEPS NUT #10	106 000254
17	1	FAN, AXIAL-ROTRUMMUFF	115 000002
	2	SCREW SLOTTED 6-32x1 3/4	106 000306
16	1	CHOKE GRN AG 50T 1/4	005 001917
15	1	BRACKET, CHOKE	002 000289
	2	SCREW, SEMS 8-32x3/8	106 000465
14	1	BRACKET CAPACITOR MTG.	123 000004
	1	KEPS NUT 8-32	106 000255
13	1	CHOKE, RED AG-30T 1/4	005 003178
12	1	SCREW, NYLON 10-32x2 3/4	106 000678
	1	KEPS NUT 10-32	106 000254
	2	WASHER, NYLON	123 000400
11	1	DIODE BRACKET	002 001213
11a	2	DIODE	106 000085
	2	SCREW, SEMS 8-32x3/8	106 000465
10	3	CAPACITOR 12000μF	103 000096
	4	SCREW, SEMS 10-32x3/8	106 000106
	4	WASHER, FLAT #10	106 000263
10a	2	SCREW BD. HD. 10-32x3/8	106 000333
9	2	CAPACITOR 24000μF	103 000048
	4	ALLEN SET SCREW 10-32x7/8	106 000347
	4	KEPS NUT 10-32	106 000254
8	1	ASSY P.C.B. POWER SUPPLY	005 001933
	1	WASHER, FLAT #10	106 000263
	1	SCREW, SEMS 10-32x3/8	106 000106
REF		I.P.L. PCB POWER SUPPLY	016 000078
7	1	TRANSFORMER	104 000023
7a	1	LABEL	002 000307
6	1	AC COURTESY PLUG	005 003236
5	1	FUSE HOLDER, PANEL MTD.	113 000018
5a	1	10A FUSE 110V	113 000002
	or		
5b	1	15A FUSE 230V	113 000017
4	1	STRAIN RELIEF	123 000048
4a	1	AC PWR CORD 110V 60HZ	005 003232
	or		
4b	1	AC PWR CORD 230V 50HZ	005 003725
3	1	RECTIFIER BRIDGE	101 000091
	1	SCREW, SEMS 6-32x5/8	106 000346
	1	KEPS NUT #6	106 000256
2	1	CLAMP TRANSFORMER	002 000328
	2	SCREW, SEMS 10-32x3/8	106 000106
1	1	CHASSIS POWER SUPPLY	002 000287

DESCRIPTION	FIRST USED ON
110 V 60 Hz	005 001931
220 V 50 Hz	005 003718

UNLESS OTHERWISE SPECIFIED USE D.G.C. SPECIFICATION 108-000028 FOR TOLERANCES AND WORKMANSHIP REQUIREMENTS.

MATERIAL: *W*

FINISH: *W*

SCALE: *W*

SEE TABLE I

DATA GENERAL CORPORATION
SOUTHBORO, MASSACHUSETTS 01772

TITLE
**MECH IPL
POWER SUPPLY
NOVA 800/1200**

SIZE CODE: D 016
DRAWING NUMBER: 000193
REV: 00