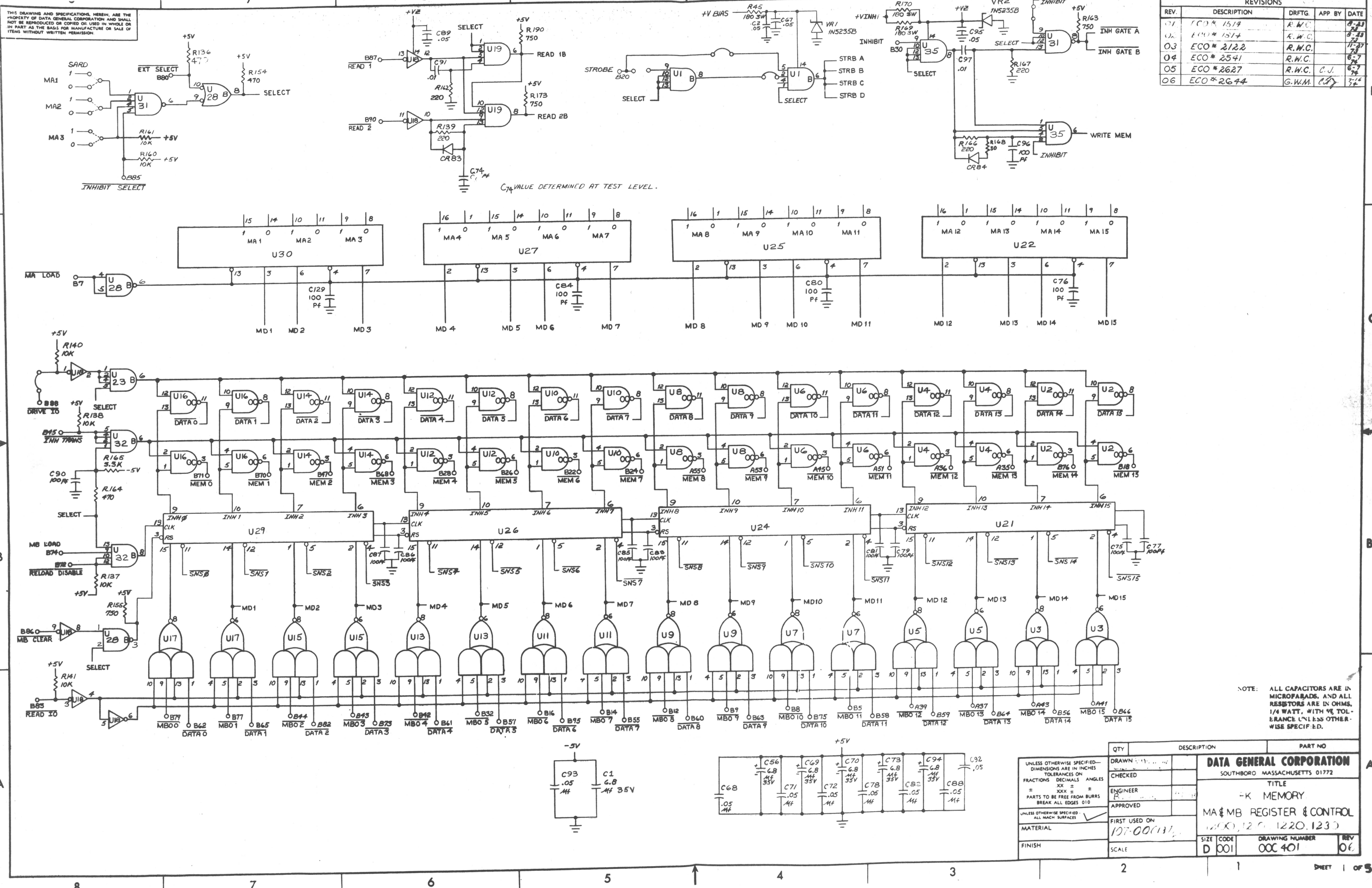


THIS DRAWING AND SPECIFICATIONS, HEREIN, ARE THE PROPERTY OF DATA GENERAL CORPORATION AND SHALL NOT BE REPRODUCED OR COPIED OR USED IN WHOLE OR IN PART AS THE BASIS FOR MANUFACTURE OR SALE OF ITEMS WITHOUT WRITTEN PERMISSION.

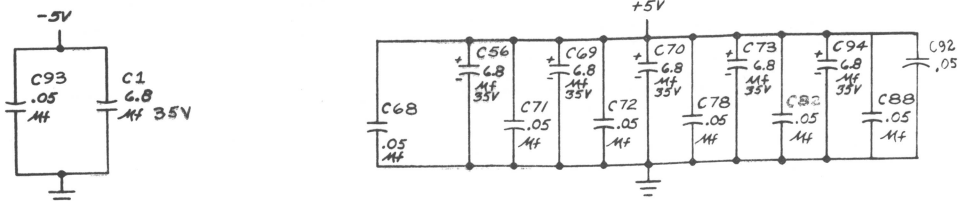
REVISIONS				
REV.	DESCRIPTION	DRFTG.	APP. BY	DATE
01	ECO * 1514	R.W.C.		8-23-71
02	ECO * 1514	R.W.C.		8-23-71
03	ECO * 2122	R.W.C.		11-27-71
04	ECO * 2541	R.W.C.		6-7-72
05	ECO * 2627	R.W.C.	C.J.	6-7-72
06	ECO * 2644	G.W.M.	C.S.	7-16-72



C74 VALUE DETERMINED AT TEST LEVEL.

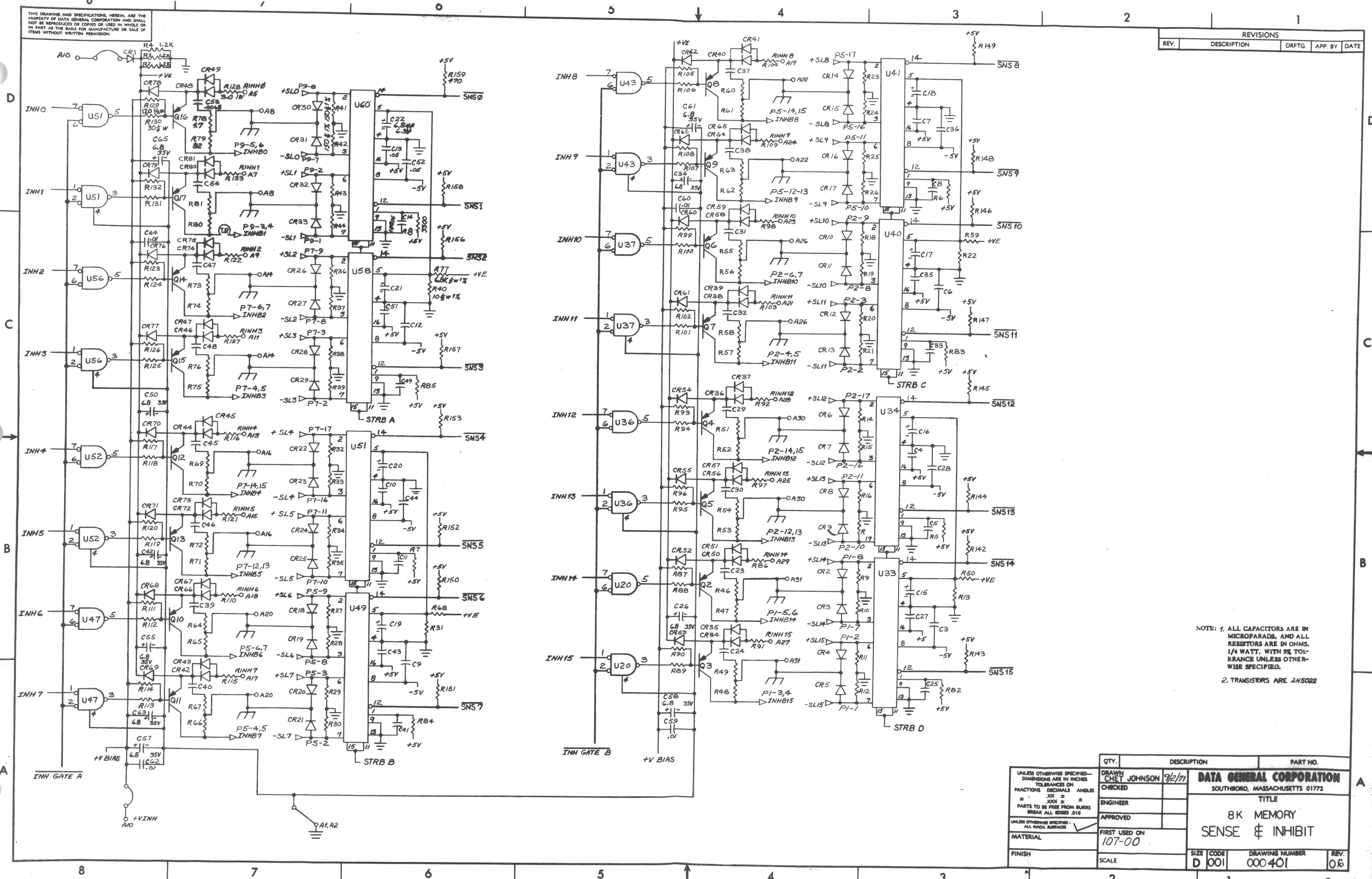
NOTE: ALL CAPACITORS ARE IN MICROFARADS, AND ALL RESISTORS ARE IN OHMS, 1/4 WATT, WITH 1% TOLERANCE UNLESS OTHERWISE SPECIFIED.

QTY	DESCRIPTION	PART NO
	<b>DATA GENERAL CORPORATION</b>	
	SOUTHBORO MASSACHUSETTS 01772	
	TITLE	
	-K MEMORY	
	MA# MB REGISTER & CONTROL	
	(200), (20), (220), (230)	
	SIZE CODE	D 001
	DRAWING NUMBER	000 401
	REV	06



THIS DRAWING AND SPECIFICATIONS, HEREIN, ARE THE PROPERTY OF DATA GENERAL CORPORATION AND SHALL NOT BE REPRODUCED OR COPIED OR USED IN WHOLE OR IN PART AS THE BASIS FOR MANUFACTURE OR SALE OF ITEMS WITHOUT WRITTEN PERMISSION.

REVISIONS			
REV.	DESCRIPTION	DRFTG.	APP. BY DATE



NOTE: 1. ALL CAPACITORS ARE IN MICROFARADS, AND ALL RESISTORS ARE IN OHMS, 1/4 WATT, WITH 5% TOLERANCE UNLESS OTHERWISE SPECIFIED.  
2. TRANSISTORS ARE 2N5022

QTY.	DESCRIPTION	PART NO.

DRAWN CHET JOHNSON		DATE 7/2/71		<b>DATA GENERAL CORPORATION</b> SOUTHBORO, MASSACHUSETTS 01772 TITLE <b>8K MEMORY          SENSE &amp; INHIBIT</b>	
CHECKED					
ENGINEER					
APPROVED					
MATERIAL		FIRST USED ON 107-00			
FINISH		SCALE			

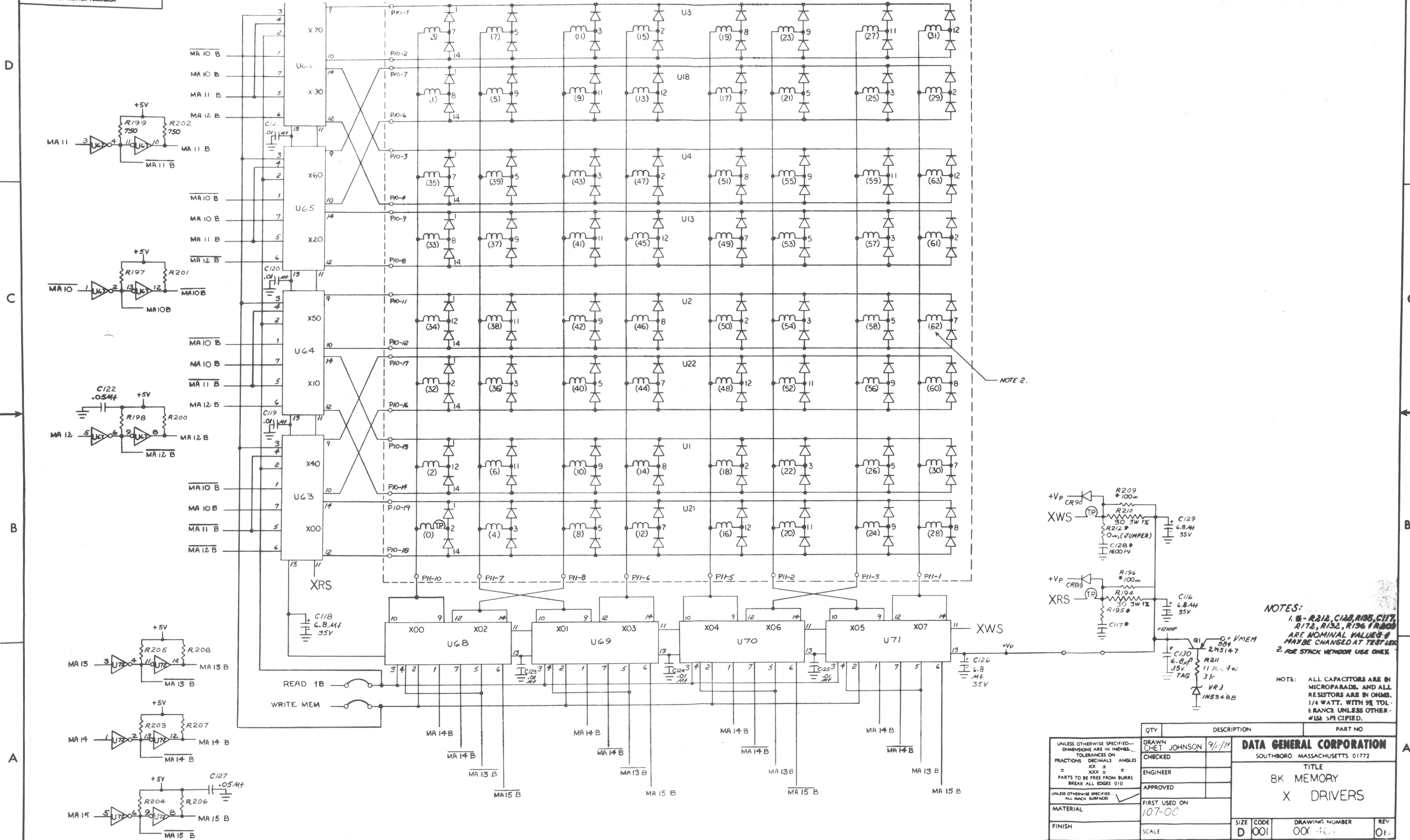
  

SIZE	CODE	DRAWING NUMBER	REV.
D	001	000 401	06

THIS DRAWING AND SPECIFICATIONS HEREIN ARE THE PROPERTY OF DATA GENERAL CORPORATION AND SHALL NOT BE REPRODUCED OR COPIED OR USED IN WHOLE OR IN PART AS THE BASIS FOR MANUFACTURE OR SALE OF ITEMS WITHOUT WRITTEN PERMISSION.

REVISIONS				
REV.	DESCRIPTION	DRFTG.	APP. BY	DATE

STACK SUB-ASSEMBLY



NOTE 2.

NOTES:  
 1. R212, C128, R195, C117, R172, R192, R196, R208 ARE NOMINAL VALUES & MAY BE CHANGED AT TESTER'S DISCRETION.  
 2. FOR STACK METHOD USE ONLY.

NOTE: ALL CAPACITORS ARE IN MICROPARADES, AND ALL RESISTORS ARE IN OHMS, 1/4 WATT, WITH 5% TOLERANCE UNLESS OTHERWISE SPECIFIED.

QTY	DESCRIPTION	PART NO

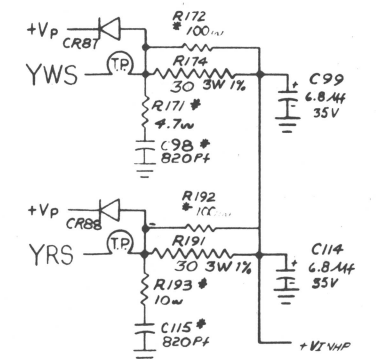
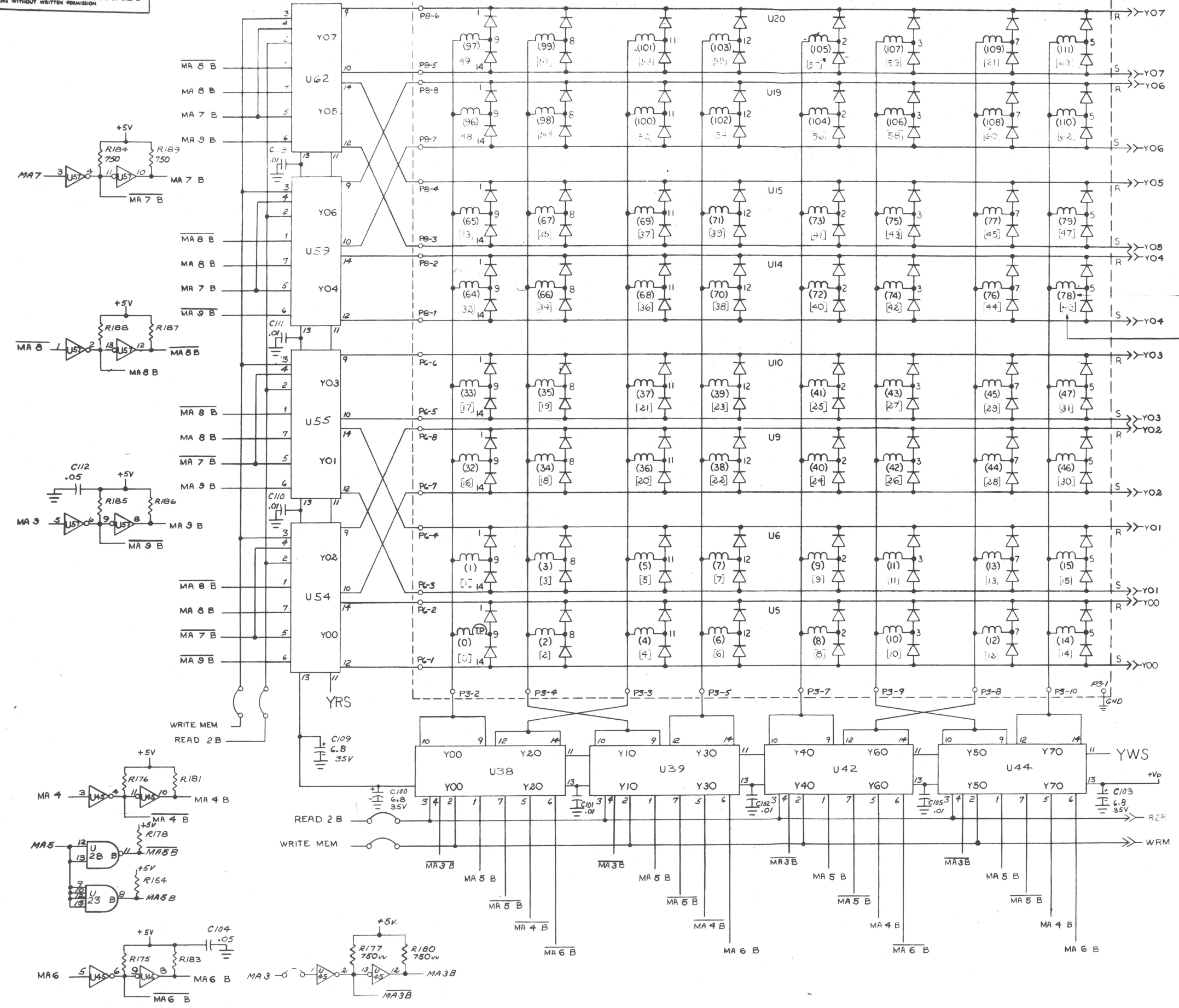
UNLESS OTHERWISE SPECIFIED—DIMENSIONS ARE IN INCHES—TOLERANCES ON FRACTIONS DECIMALS ANGLES XX ± .XX XXX ± .XXX PARTS TO BE FREE FROM BURRS BREAK ALL EDGES 0.010	DRAWN CHET JOHNSON 9/1/77 CHECKED ENGINEER APPROVED FIRST USED ON 107-00 MATERIAL FINISH SCALE	<b>DATA GENERAL CORPORATION</b> SOUTHBORO, MASSACHUSETTS 01772 TITLE <b>8K MEMORY          X DRIVERS</b> SIZE CODE D 001 DRAWING NUMBER 000 400 REV 001
---	--	--



THIS DRAWING AND SPECIFICATIONS, HEREIN, ARE THE PROPERTY OF DATA GENERAL CORPORATION AND SHALL NOT BE REPRODUCED OR COPIED OR USED IN WHOLE OR IN PART AS THE BASIS FOR MANUFACTURE OR SALE OF ITEMS WITHOUT WRITTEN PERMISSION.

REVISIONS				
REV	DESCRIPTION	DRFTG	APP BY	DATE

STACK SUB-ASSEMBLY



NOTE: 1. FOR STACK VENDOR USE ONLY.  
 2. IN. FOR STACK VENDOR USE ONLY ON 64 STACK WIRING.  
 3. END FOR STACK VENDOR USE ONLY ON 64 STACK WIRING.  
 S = SOURCE  
 R = RETURN

NOTE: ALL CAPACITORS ARE IN MICROFARADS, AND ALL RESISTORS ARE IN OHMS, 1/4 WATT, WITH 5% TOLERANCE UNLESS OTHERWISE SPECIFIED.

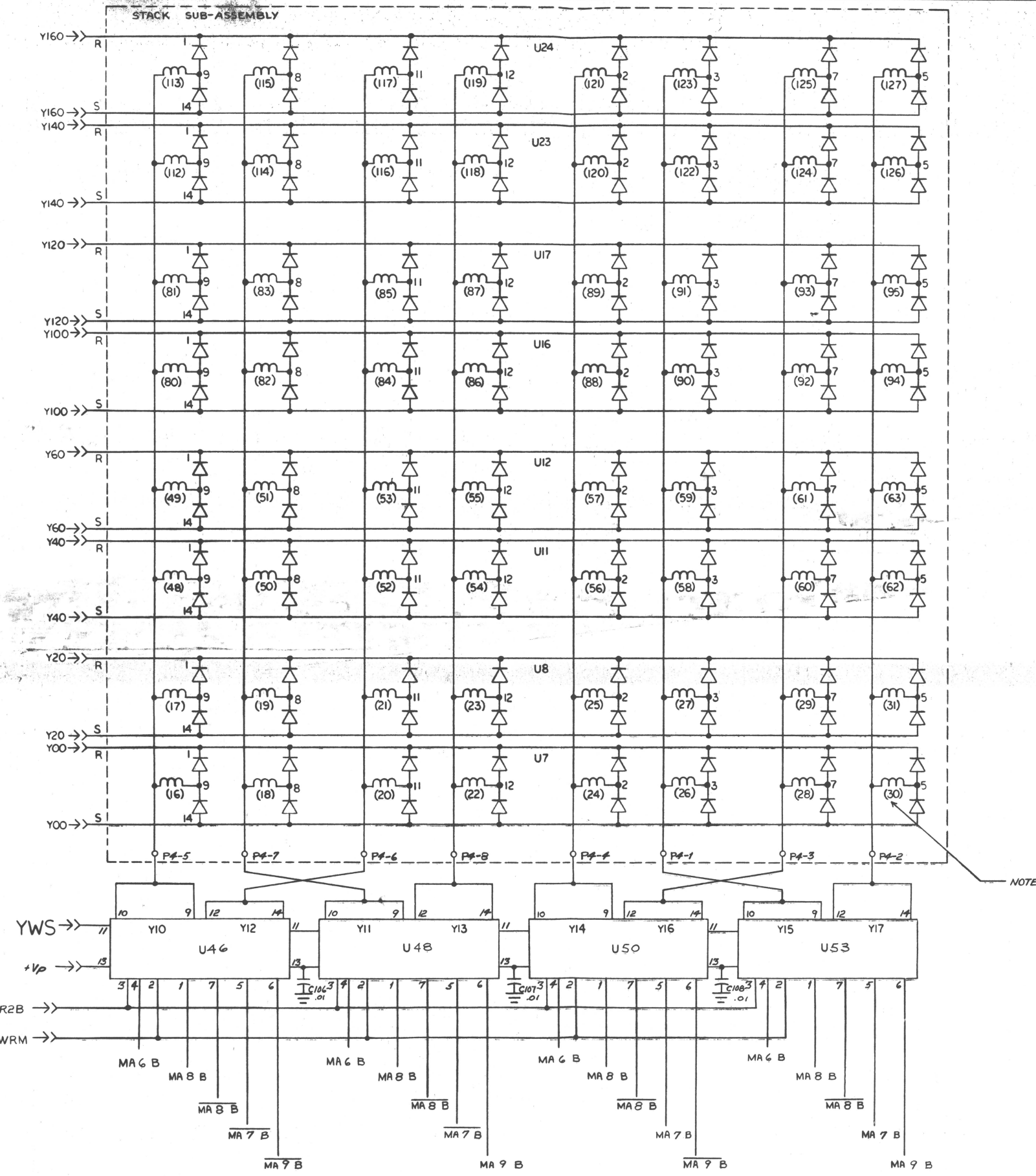
QTY.	DESCRIPTION	PART NO.

UNLESS OTHERWISE SPECIFIED— DIMENSIONS ARE IN INCHES TOLERANCES ON ANGLES FRACTIONS DECIMALS ANGLES XX ± XXX ± PARTS TO BE FREE FROM BURRS BREAK ALL EDGES 010	UNLESS OTHERWISE SPECIFIED— ALL MACH SURFACES	<b>DATA GENERAL CORPORATION</b> SOUTHBORO, MASSACHUSETTS 01772 TITLE <b>8K MEMORY          Y DRIVERS</b>
DRAWN <b>CHET JOHNSON</b> CHECKED ENGINEER APPROVED FIRST USED ON <b>107-00</b>	SIZE <b>D</b> CODE <b>001</b> DRAWING NUMBER <b>00C 111</b> REV <b>06</b>	PART NO. <b>DATA GENERAL CORPORATION</b> TITLE <b>8K MEMORY          Y DRIVERS</b> SIZE <b>D</b> CODE <b>001</b> DRAWING NUMBER <b>00C 111</b> REV <b>06</b>



THIS DRAWING AND SPECIFICATIONS HEREIN, ARE THE PROPERTY OF DATA GENERAL CORPORATION AND SHALL NOT BE REPRODUCED OR COPIED OR USED IN WHOLE OR IN PART AS THE BASIS FOR MANUFACTURE OR SALE OF ITEMS WITHOUT WRITTEN PERMISSION.

REVISIONS			
REV.	DESCRIPTION	DRFTG.	APP. BY DATE



NOTE 1

NOTE:-  
1. FOR STACK VENDOR USE ONLY.

NOTE: ALL CAPACITORS ARE IN MICROFARADS, AND ALL RESISTORS ARE IN OHMS. 1/4 WATT, WITH 5% TOLERANCE UNLESS OTHERWISE SPECIFIED.

UNLESS OTHERWISE SPECIFIED - DIMENSIONS ARE IN INCHES TOLERANCES ON FRACTIONS DECIMALS ANGLES XX ± .XX ± .XX ± .XX PARTS TO BE FREE FROM BURRS BREAK ALL EDGES .010	QTY.	DESCRIPTION	PART NO.
	DRAWN CHET JOHNSON	9/5/71	<b>DATA GENERAL CORPORATION</b> SOUTHBORO, MASSACHUSETTS 01772
UNLESS OTHERWISE SPECIFIED - ALL MACH. SURFACES	CHECKED		TITLE
MATERIAL	ENGINEER		8K MEMORY Y DRIVERS
FINISH	APPROVED		DRAWING NUMBER
	FIRST USED ON	107-00	REV
	SCALE	SIZE CODE D 001	000401 06