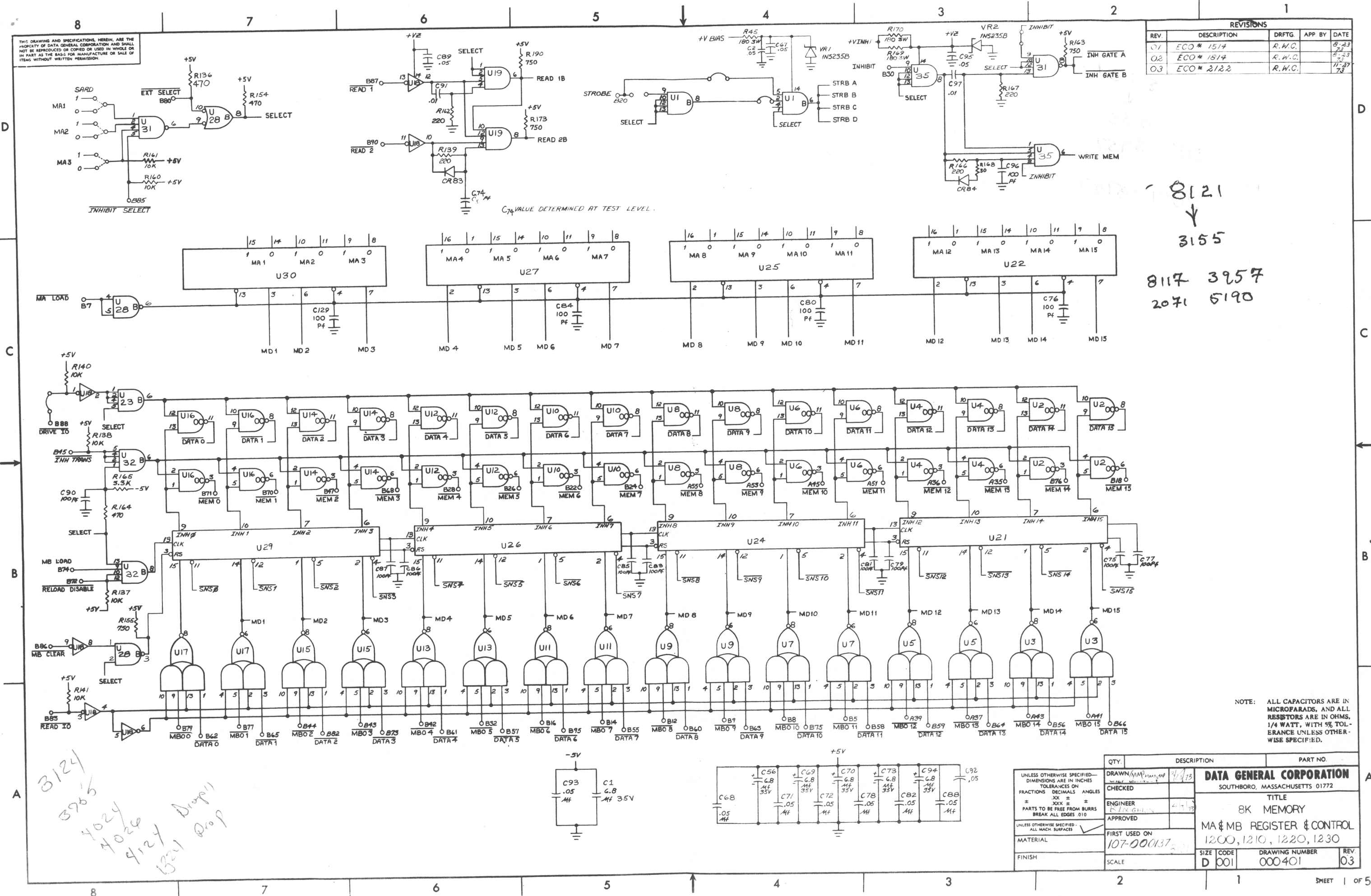


THIS DRAWING AND SPECIFICATIONS HEREIN ARE THE PROPERTY OF DATA GENERAL CORPORATION AND SHALL NOT BE REPRODUCED OR COPIED OR USED IN WHOLE OR IN PART AS THE BASIS FOR MANUFACTURE OR SALE OF ITEMS WITHOUT WRITTEN PERMISSION.

REVISIONS				
REV.	DESCRIPTION	DRFTG	APP BY	DATE
01	ECO # 1514	R.W.C.		8-23
02	ECO # 1814	R.W.C.		8-23
03	ECO # 2122	R.W.C.		11-27



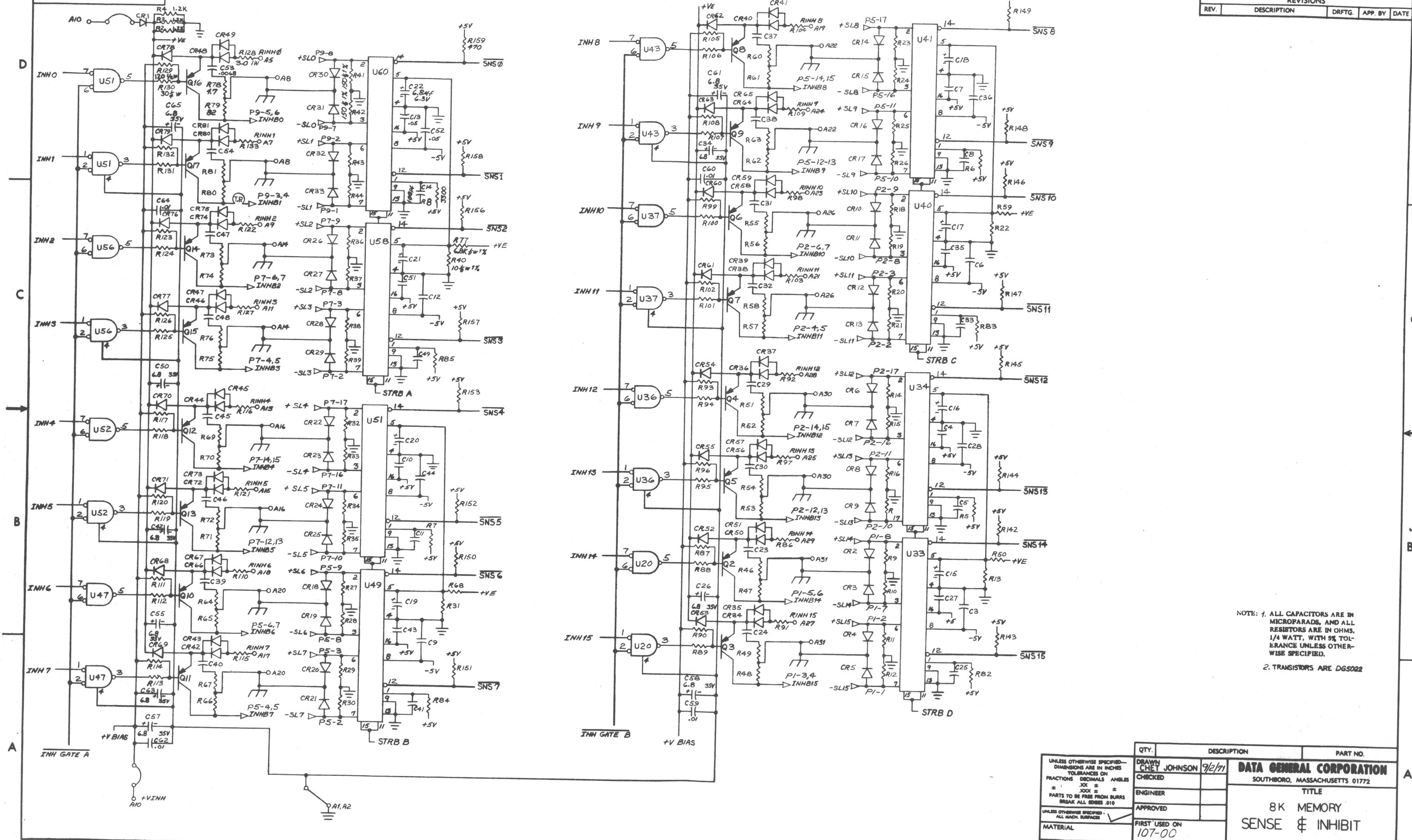
8121
 ↓
 3155
 8117 3957
 2071 5190

3124
 3965
 4024
 4026
 4124
 1321 Prop

QTY.	DESCRIPTION	PART NO.
	DATA GENERAL CORPORATION	
	SOUTHBORO, MASSACHUSETTS 01772	
	TITLE	
	8K MEMORY	
	MA & MB REGISTER & CONTROL	
	1200, 1210, 1220, 1230	
	SIZE	
	D 001	
	DRAWING NUMBER	
	000401	
	REV.	
	03	

THIS DRAWING AND SPECIFICATIONS, HEREIN, ARE THE PROPERTY OF DATA GENERAL CORPORATION AND SHALL NOT BE REPRODUCED OR COPIED OR USED IN WHOLE OR IN PART AS THE BASIS FOR MANUFACTURE OR SALE OF ITEMS WITHOUT WRITTEN PERMISSION.

REVISIONS			
REV.	DESCRIPTION	DRFTG.	APP. BY DATE



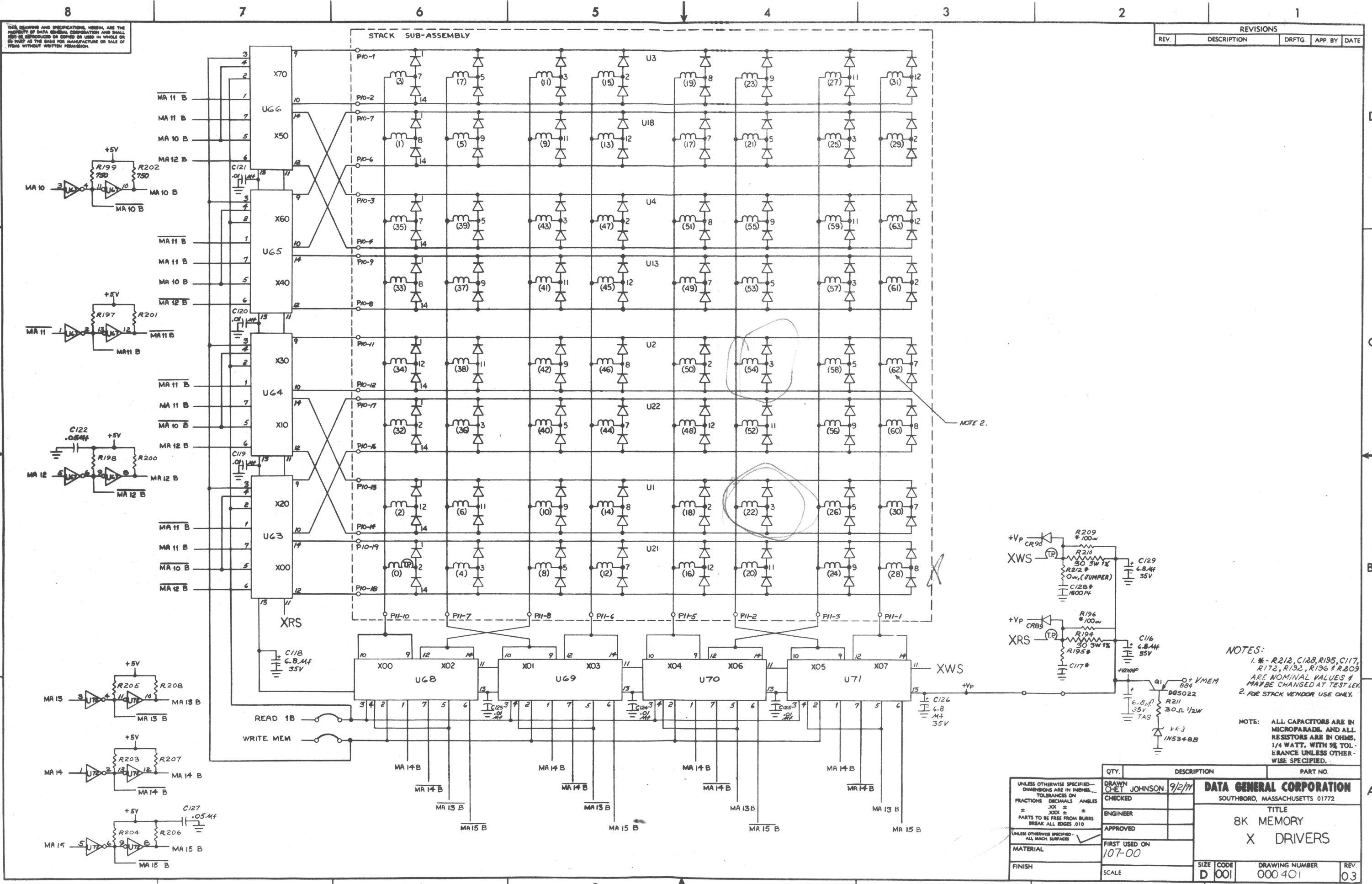
NOTE: 1. ALL CAPACITORS ARE IN MICROFARADS, AND ALL RESISTORS ARE IN OHMS, 1/4 WATT, WITH 5% TOLERANCE UNLESS OTHERWISE SPECIFIED.
2. TRANSISTORS ARE DG5022

QTY.	DESCRIPTION	PART NO.

UNLESS OTHERWISE SPECIFIED— DIMENSIONS ARE IN INCHES TOLERANCES ON FRACTIONS DECIMALS ANGLES X.X = .001 X.XX = .0005 X.XXX = .0002 PARTS TO BE FREE FROM BURRS BREAK ALL EDGES .010	DRAWN CHET JOHNSON 7/2/71 CHECKED ENGINEER APPROVED FIRST USED ON 107-00 MATERIAL FINISH SCALE	DATA GENERAL CORPORATION SOUTHBORO, MASSACHUSETTS 01772 TITLE 8K MEMORY SENSE & INHIBIT SIZE CODE D 001 DRAWING NUMBER 000 401 REV. 03
---	--	---

REVISIONS				
REV.	DESCRIPTION	DRFTG.	APP. BY	DATE

THIS DRAWING AND SPECIFICATIONS, HEREIN, ARE THE PROPERTY OF DATA GENERAL CORPORATION AND SHALL NOT BE REPRODUCED OR COPIED OR USED IN WHOLE OR IN PART AS THE BASIS FOR MANUFACTURE OR SALE OF ITEMS WITHOUT WRITTEN PERMISSION.



NOTE 2.

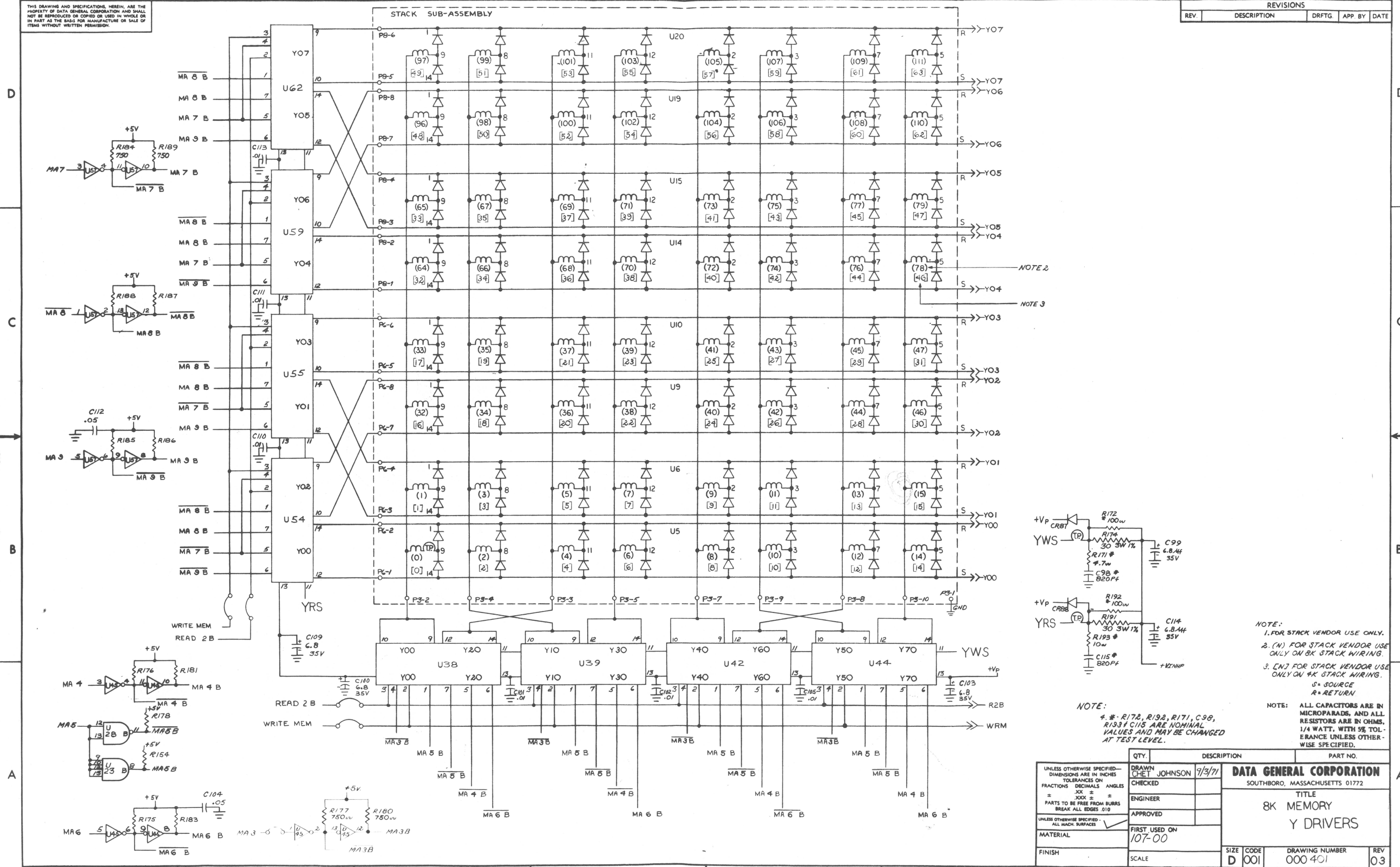
NOTES:
 1. *-R212, C128, R195, C117, R172, R192, R196 & R209 ARE NOMINAL VALUES & MAY BE CHANGED AT TEST LVL.
 2. FOR STACK VENDOR USE ONLY.

NOTE: ALL CAPACITORS ARE IN MICROFARADS, AND ALL RESISTORS ARE IN OHMS, 1/4 WATT, WITH 5% TOLERANCE UNLESS OTHERWISE SPECIFIED.

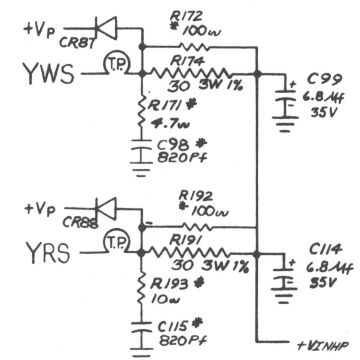
UNLESS OTHERWISE SPECIFIED— DIMENSIONS ARE IN INCHES. TOLERANCES ON FRACTIONS DECIMALS ANGLES ± .001 ± .005 ± .010 PARTS TO BE FREE FROM BURRS BREAK ALL EDGES .010		QTY.	DESCRIPTION	PART NO.
UNLESS OTHERWISE SPECIFIED— ALL MACH SURFACES		DRAWN CHET JOHNSON	9/2/77	DATA GENERAL CORPORATION SOUTHBORO, MASSACHUSETTS 01772 TITLE 8K MEMORY X DRIVERS
MATERIAL		ENGINEER	APPROVED	
FINISH		FIRST USED ON	107-00	
		SCALE		
				SIZE D 001 DRAWING NUMBER 000 401 REV. 03

THIS DRAWING AND SPECIFICATIONS HEREIN ARE THE PROPERTY OF DATA GENERAL CORPORATION AND SHALL NOT BE REPRODUCED OR COPIED OR USED IN WHOLE OR IN PART AS THE BASIS FOR MANUFACTURE OR SALE OF ITEMS WITHOUT WRITTEN PERMISSION.

REVISIONS				
REV.	DESCRIPTION	DRFTG.	APP. BY	DATE



NOTE 2
NOTE 3



NOTE:
4. # R172, R192, R171, C98, R193 & C115 ARE NOMINAL VALUES AND MAY BE CHANGED AT TEST LEVEL.

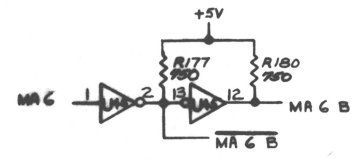
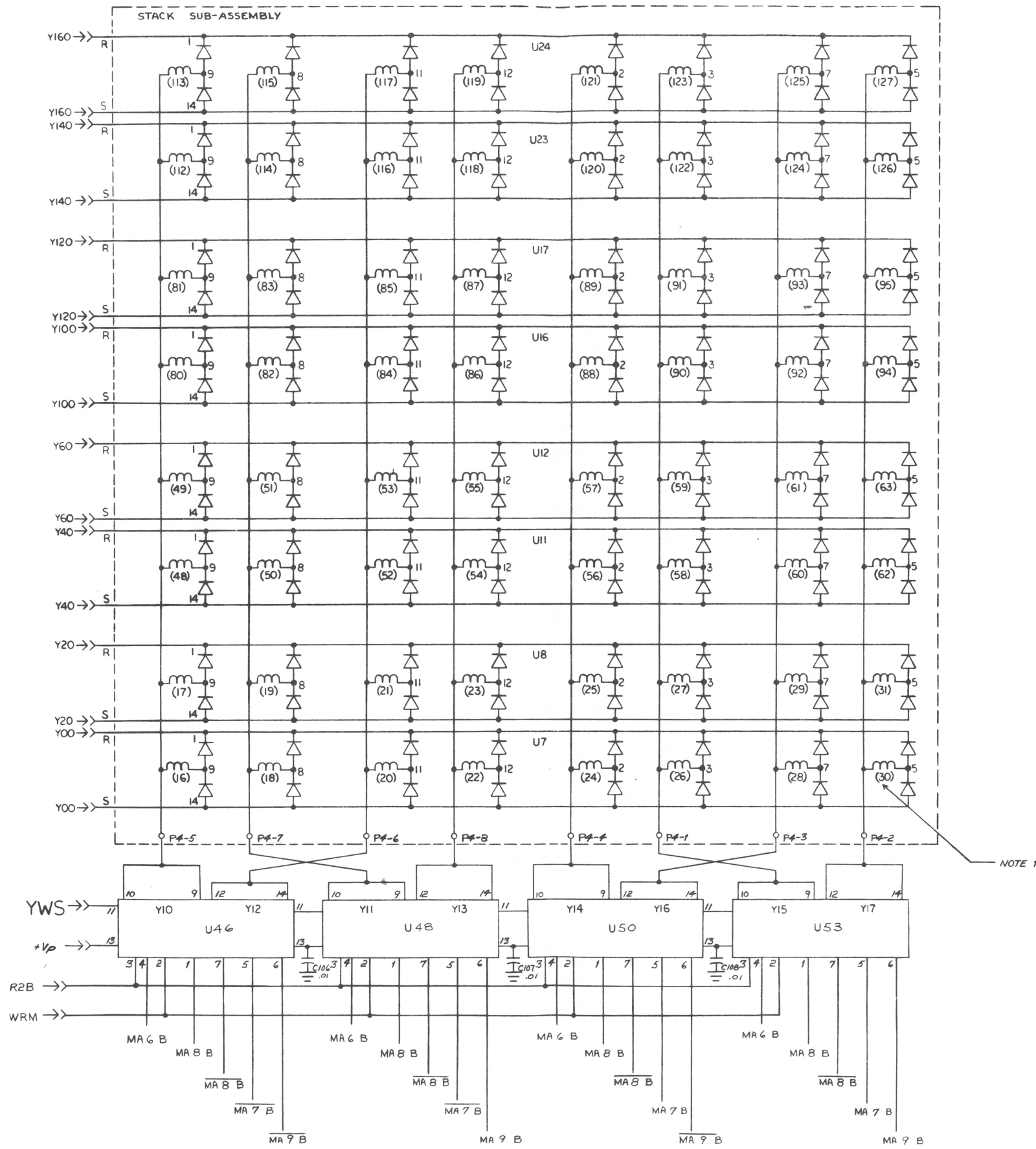
- NOTE:
1. FOR STACK VENDOR USE ONLY.
2. (N) FOR STACK VENDOR USE ONLY ON BK STACK WIRING.
3. [N] FOR STACK VENDOR USE ONLY ON 4K STACK WIRING.
S = SOURCE
R = RETURN

NOTE: ALL CAPACITORS ARE IN MICROPARADS, AND ALL RESISTORS ARE IN OHMS, 1/4 WATT, WITH 5% TOLERANCE UNLESS OTHERWISE SPECIFIED.

UNLESS OTHERWISE SPECIFIED—DIMENSIONS ARE IN INCHES—TOLERANCES ON FRACTIONS ON DECIMALS ANGLES ± .010 ± .005 ± .003 ± .002 ± .001	UNLESS OTHERWISE SPECIFIED—ALL MACH. SURFACES	QTY.	DESCRIPTION	PART NO.
CHECKED	APPROVED	DRAWN CHET JOHNSON	9/9/71	DATA GENERAL CORPORATION SOUTHBORO, MASSACHUSETTS 01772
MATERIAL	FINISH	FIRST USED ON 107-00	SCALE	TITLE 8K MEMORY Y DRIVERS
SIZE D	CODE 001	DRAWING NUMBER 000 401	REV 03	

THIS DRAWING AND SPECIFICATIONS, HEREIN, ARE THE PROPERTY OF DATA GENERAL CORPORATION AND SHALL NOT BE REPRODUCED OR COPIED OR USED IN WHOLE OR IN PART AS THE BASIS FOR MANUFACTURE OR SALE OF ITEMS WITHOUT WRITTEN PERMISSION.

REVISIONS				
REV.	DESCRIPTION	DRFTG.	APP BY	DATE



NOTE:-
1. FOR STACK VENDOR USE ONLY.

NOTE: ALL CAPACITORS ARE IN MICROPARADS, AND ALL RESISTORS ARE IN OHMS, 1/4 WATT, WITH 5% TOLERANCE UNLESS OTHERWISE SPECIFIED.

UNLESS OTHERWISE SPECIFIED— DIMENSIONS ARE IN INCHES TOLERANCES ON FRACTIONS DECIMALS ANGLES XXX ± PARTS TO BE FREE FROM BURRS BREAK ALL EDGES .010	QTY.	DESCRIPTION	PART NO.
	DRAWN CHET JOHNSON 9/3/71		
	CHECKED		
	ENGINEER		
UNLESS OTHERWISE SPECIFIED— ALL MACH. SURFACES	APPROVED		
	FIRST USED ON 107-00		
MATERIAL	SCALE	SIZE D	CODE 001
FINISH		DRAWING NUMBER 000401	REV 03

DATA GENERAL CORPORATION
SOUTHBORO, MASSACHUSETTS 01772

TITLE
**8K MEMORY
Y DRIVERS**