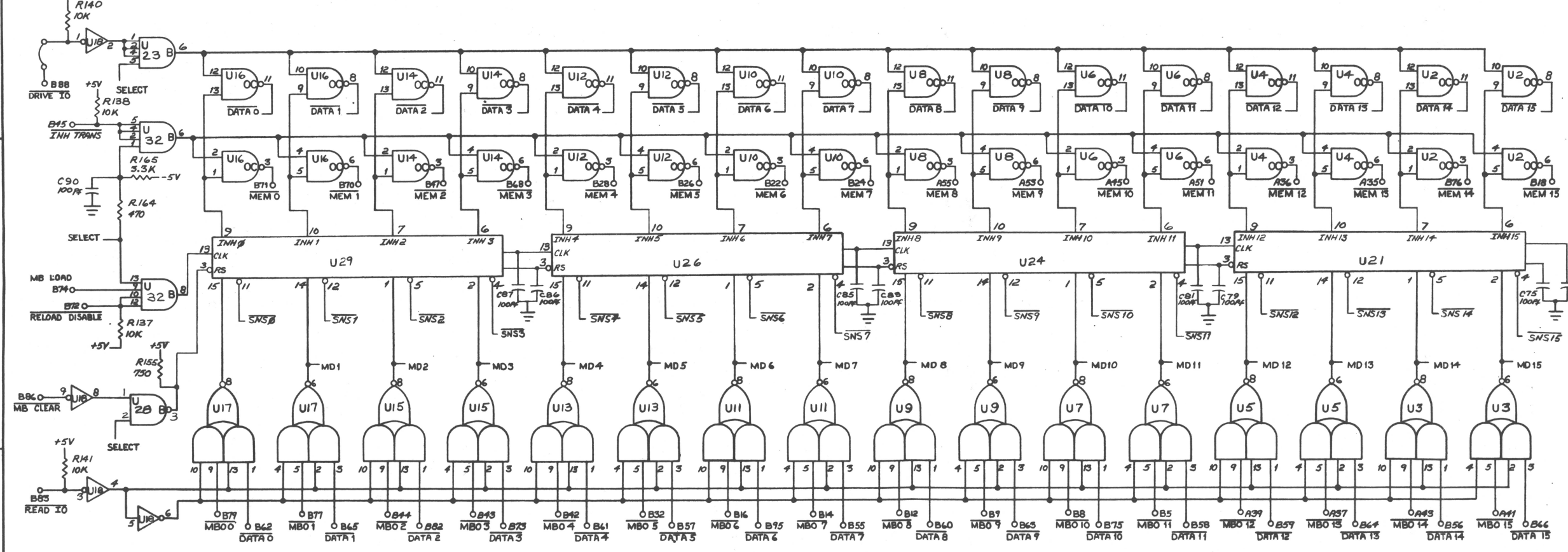
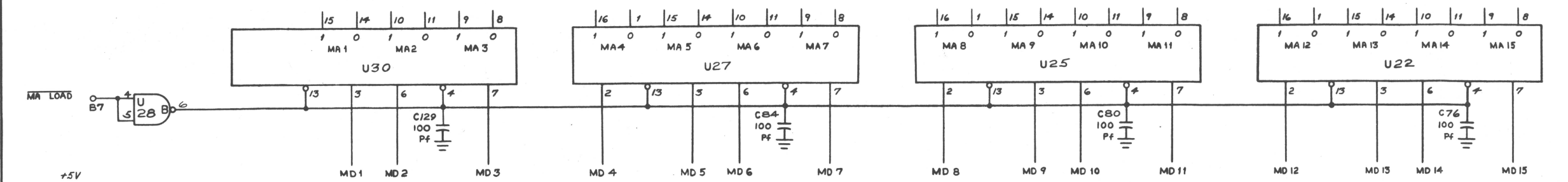
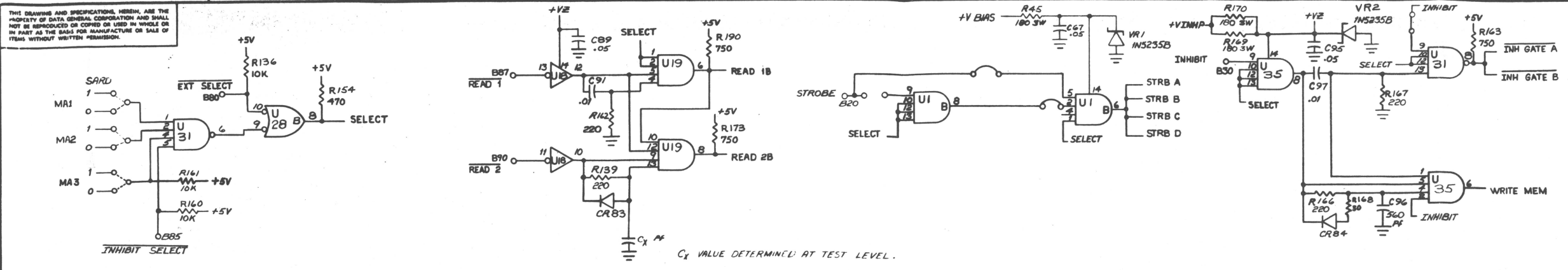


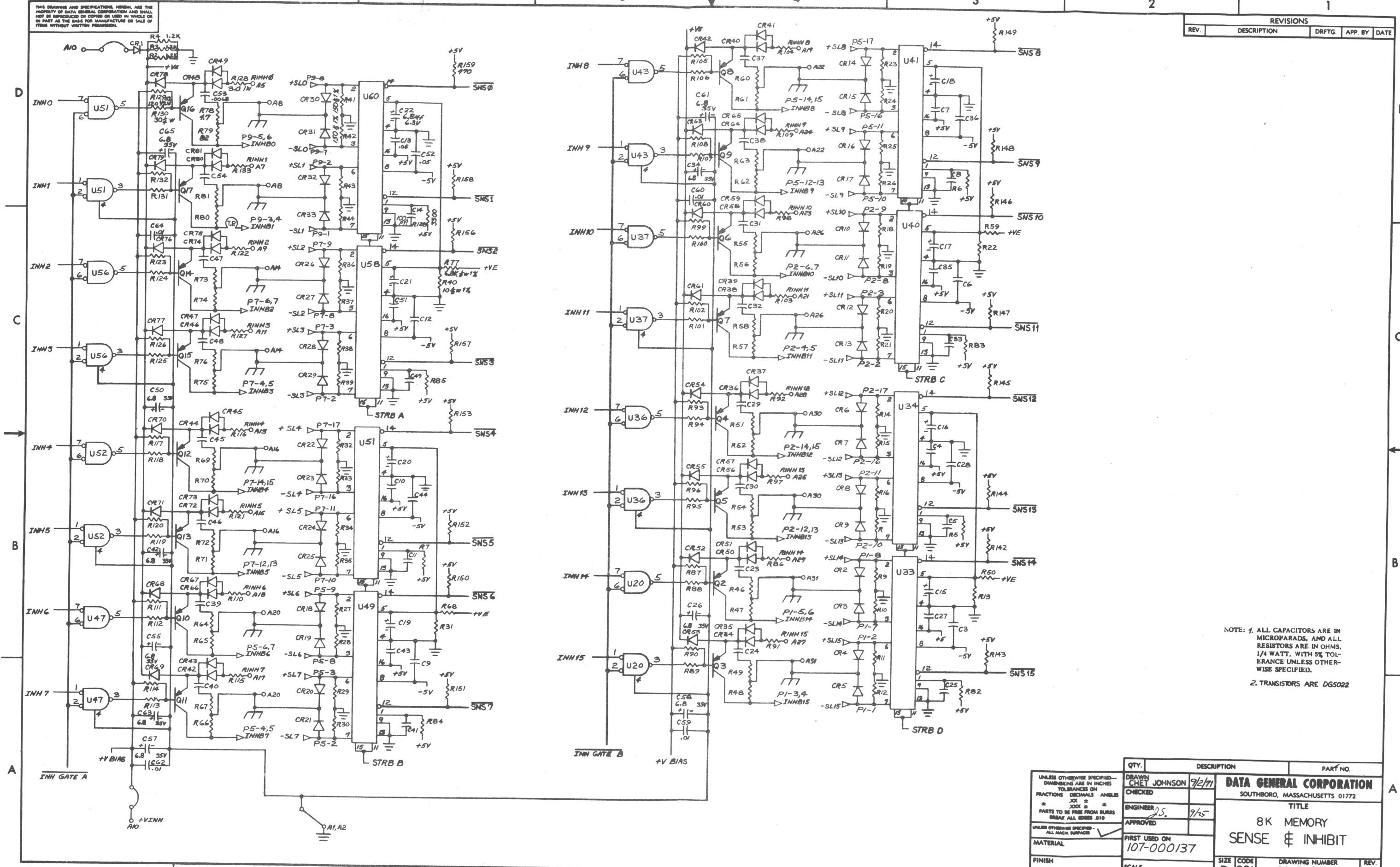
THIS DRAWING AND SPECIFICATIONS, HEREIN, ARE THE PROPERTY OF DATA GENERAL CORPORATION AND SHALL NOT BE REPRODUCED OR COPIED OR USED IN WHOLE OR IN PART AS THE BASIS FOR MANUFACTURE OR SALE OF ITEMS WITHOUT WRITTEN PERMISSION.

REVISIONS				
REV	DESCRIPTION	DRFTG	APP BY	DATE
01	ECO# 1002	R.W.C.	R.W.C.	6/72
02	ECO# 1117	R.W.C.	R.W.C.	10-8
03	ECO# 1259	R.W.C.	R.W.C.	12-4
04	ECO# 1402	R.W.C.	R.W.C.	4-78
05	ECO# 1526	R.W.C.	R.W.C.	5-78
06	ECO# 1514	R.W.C.	R.W.C.	5-78



THIS DRAWING AND SPECIFICATIONS HEREIN ARE THE PROPERTY OF DATA GENERAL CORPORATION AND SHALL NOT BE REPRODUCED OR COPIED OR USED IN WHOLE OR IN PART AS THE BASIS FOR MANUFACTURE OR SALE OF ITEMS WITHOUT WRITTEN PERMISSION.

REVISIONS			
REV.	DESCRIPTION	DRFTG.	APP. BY DATE



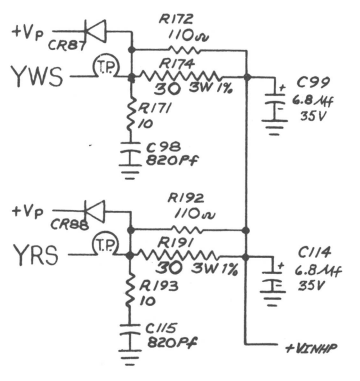
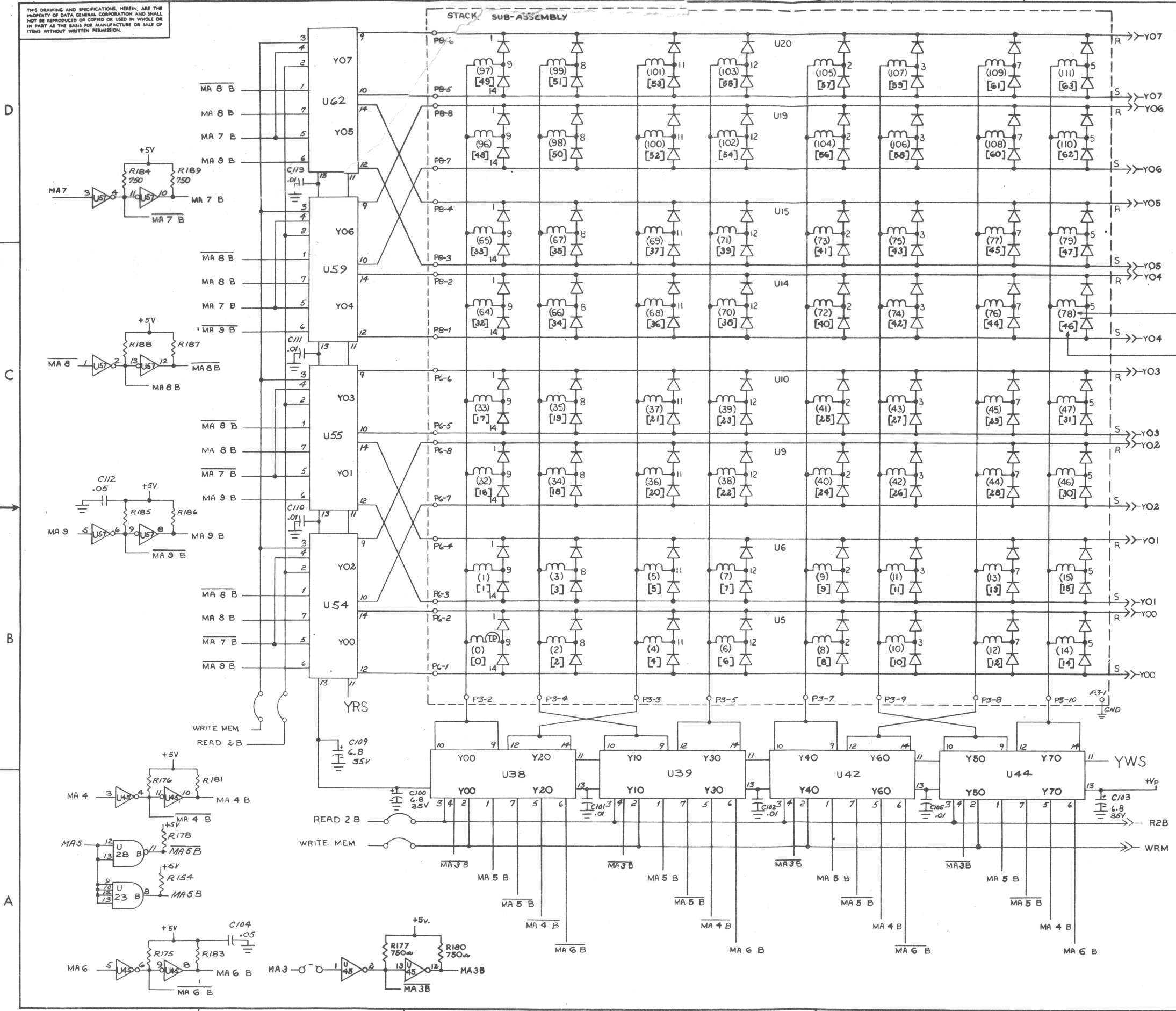
NOTE: 1. ALL CAPACITORS ARE IN MICROFARADS, AND ALL RESISTORS ARE IN OHMS, 1/4 WATT, WITH 5% TOLERANCE UNLESS OTHERWISE SPECIFIED.
2. TRANSISTORS ARE DG5022

QTY.	DESCRIPTION	PART NO.
DRAWN	CHET JOHNSON	9/2/71
CHECKED		
ENGINEER	J.S.	9/25
APPROVED		
FIRST USED ON	107-000137	
MATERIAL		
FINISH		

DATA GENERAL CORPORATION		
SOUTHBORO, MASSACHUSETTS 01772		
TITLE		
8K MEMORY SENSE & INHIBIT		
SIZE	CODE	DRAWING NUMBER
D	001	000238
SCALE		REV.
		06

THIS DRAWING AND SPECIFICATIONS, HEREIN, ARE THE PROPERTY OF DATA GENERAL CORPORATION AND SHALL NOT BE REPRODUCED OR COPIED OR USED IN WHOLE OR IN PART AS THE BASIS FOR MANUFACTURE OR SALE OF ITEMS WITHOUT WRITTEN PERMISSION.

REVISIONS				
REV.	DESCRIPTION	DRFTG.	APP. BY	DATE



- NOTE:
1. R172 & 192 ARE NOMINAL VALUES AND MAY BE CHANGED AT TEST LEVEL.
 2. (N) FOR STACK VENDOR USE ONLY, ON BK STACK WIRING.
 3. [N] FOR STACK VENDOR USE ONLY, ON 4K STACK WIRING.
- S = SOURCE
R = RETURN

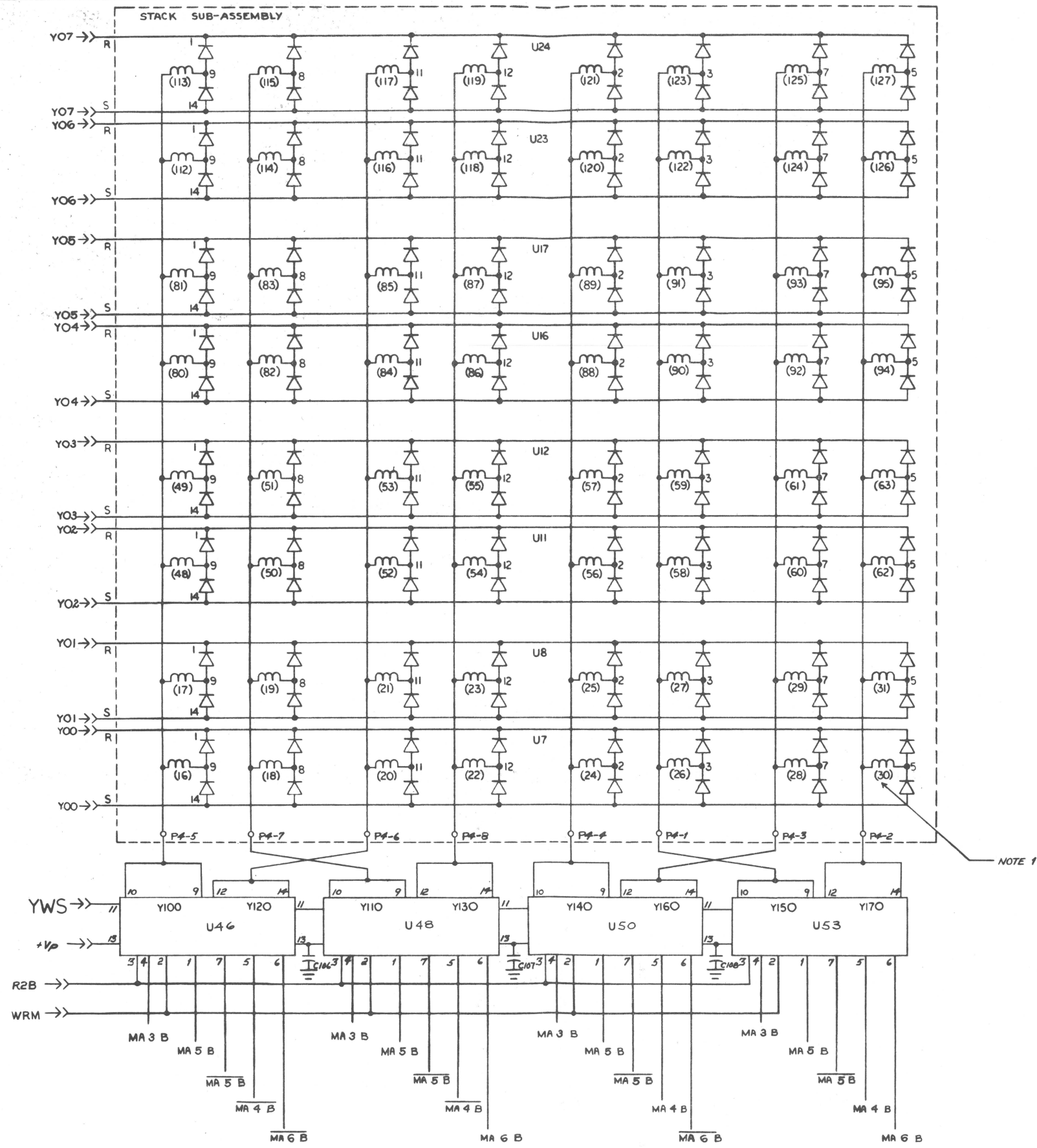
NOTE: ALL CAPACITORS ARE IN MICROPARADS, AND ALL RESISTORS ARE IN OHMS, 1/4 WATT, WITH 5% TOLERANCE UNLESS OTHERWISE SPECIFIED.

QTY.	DESCRIPTION	PART NO.

UNLESS OTHERWISE SPECIFIED—DIMENSIONS ARE IN INCHES—TOLERANCES ON FRACTIONS DECIMALS ANGLES		DRAWN CHET JOHNSON 6/17/71	DATA GENERAL CORPORATION SOUTHBORO, MASSACHUSETTS 01772
±	±		
±	±	±	±
UNLESS OTHERWISE SPECIFIED—ALL MACH. SURFACES		ENGINEER J. W. MITCHELL	TITLE 8K MEMORY Y DRIVERS
MATERIAL		APPROVED	FIRST USED ON
FINISH		107-000137	107-000137
SCALE	SIZE	CODE	DRAWING NUMBER
	D	001	000238
			REV. 06

THIS DRAWING AND SPECIFICATIONS, HEREIN, ARE THE PROPERTY OF DATA GENERAL CORPORATION AND SHALL NOT BE REPRODUCED OR COPIED OR USED IN WHOLE OR IN PART AS THE BASIS FOR MANUFACTURE OR SALE OF ITEMS WITHOUT WRITTEN PERMISSION.

REVISIONS				
REV.	DESCRIPTION	DRFTG.	APP. BY	DATE



NOTE 1

NOTE:-
1. FOR STACK VENDOR USE ONLY, ON BK STACK WIRING.

NOTE: ALL CAPACITORS ARE IN MICROPARADS, AND ALL RESISTORS ARE IN OHMS, 1/4 WATT, WITH 5% TOLERANCE UNLESS OTHERWISE SPECIFIED.

QTY.	DESCRIPTION	PART NO.

<small>UNLESS OTHERWISE SPECIFIED— DIMENSIONS ARE IN INCHES TOLERANCES ON FRACTIONS DECIMALS ANGLES</small> .XX ± .XX .XXX ± .XXX <small>PARTS TO BE FREE FROM BURRS BREAK ALL EDGES .010</small>	DRAWN: CHET JOHNSON 9/5/71 CHECKED: [Signature] ENGINEER: J.S. 7/25 APPROVED: [Signature] FIRST USED ON: 107-000137	DATA GENERAL CORPORATION SOUTHBORO, MASSACHUSETTS 01772 TITLE: 8K MEMORY Y DRIVERS
<small>UNLESS OTHERWISE SPECIFIED— ALL MACH. SURFACES</small> MATERIAL: [Blank] FINISH: [Blank]	SCALE: [Blank]	SIZE: D CODE: 001 DRAWING NUMBER: 000238 REV: 06