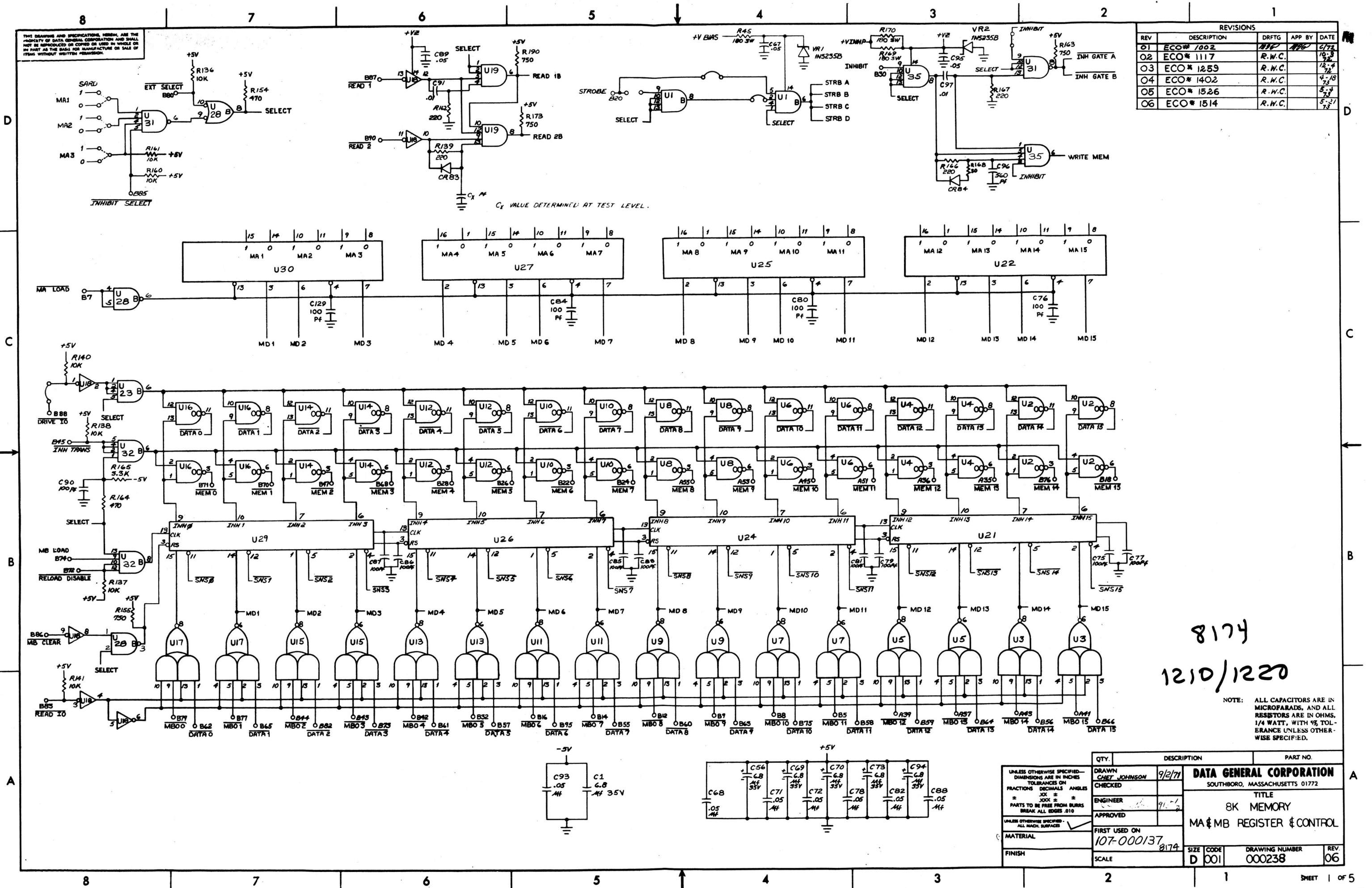


THE DRAWING AND SPECIFICATIONS HEREIN ARE THE PROPERTY OF DATA GENERAL CORPORATION AND SHALL NOT BE REPRODUCED OR COPIED OR USED IN WHOLE OR IN PART AS THE BASIS FOR MANUFACTURE OR SALE OF ITEMS WITHOUT WRITTEN PERMISSION.

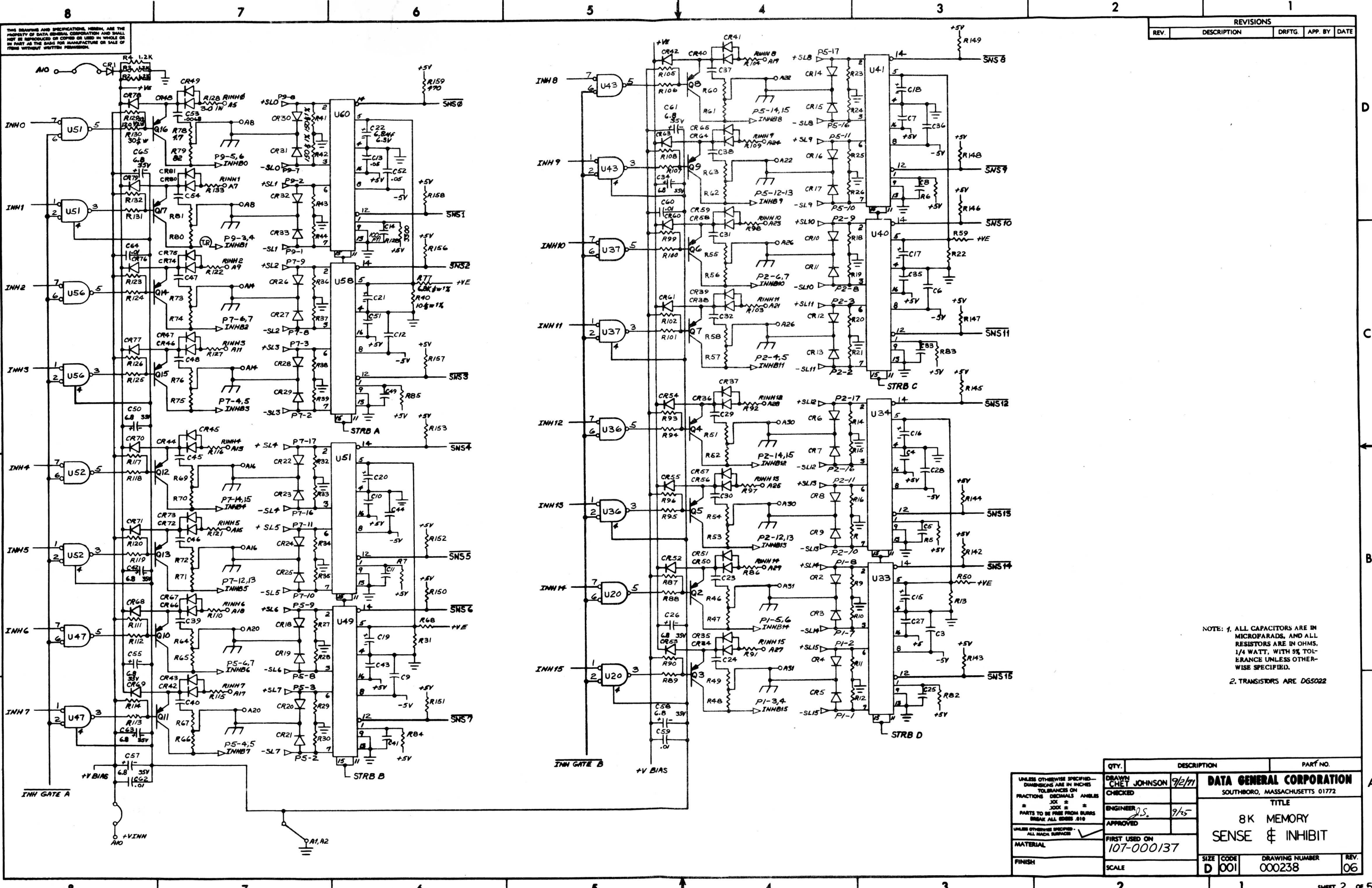
REVISIONS				
REV	DESCRIPTION	DRFTG	APP BY	DATE
01	ECO# 1002	R.W.C.	R.W.C.	6/73
02	ECO# 1117	R.W.C.	R.W.C.	10-73
03	ECO# 1259	R.W.C.	R.W.C.	12-73
04	ECO# 1402	R.W.C.	R.W.C.	4-78
05	ECO# 1526	R.W.C.	R.W.C.	5-78
06	ECO# 1514	R.W.C.	R.W.C.	5-78



8174
1210/1220

NOTE: ALL CAPACITORS ARE IN MICROFARADS, AND ALL RESISTORS ARE IN OHMS, 1/4 WATT, WITH 5% TOLERANCE UNLESS OTHERWISE SPECIFIED.

QTY.	DESCRIPTION	PART NO.
	UNLESS OTHERWISE SPECIFIED—DIMENSIONS ARE IN INCHES TOLERANCES ON FRACTIONS DECIMALS ANGLES .XX ± .XXX ± PARTS TO BE FREE FROM BURRS BREAK ALL EDGES .010 UNLESS OTHERWISE SPECIFIED—ALL MACH SURFACES	
	DRAWN CHECKED ENGINEER APPROVED FIRST USED ON MATERIAL FINISH	9/2/77 9/2/77 107-000137 8174
	DATA GENERAL CORPORATION SOUTHBORO, MASSACHUSETTS 01772 TITLE 8K MEMORY MA & MB REGISTER & CONTROL SIZE CODE D 001 DRAWING NUMBER 000238 REV. 06	



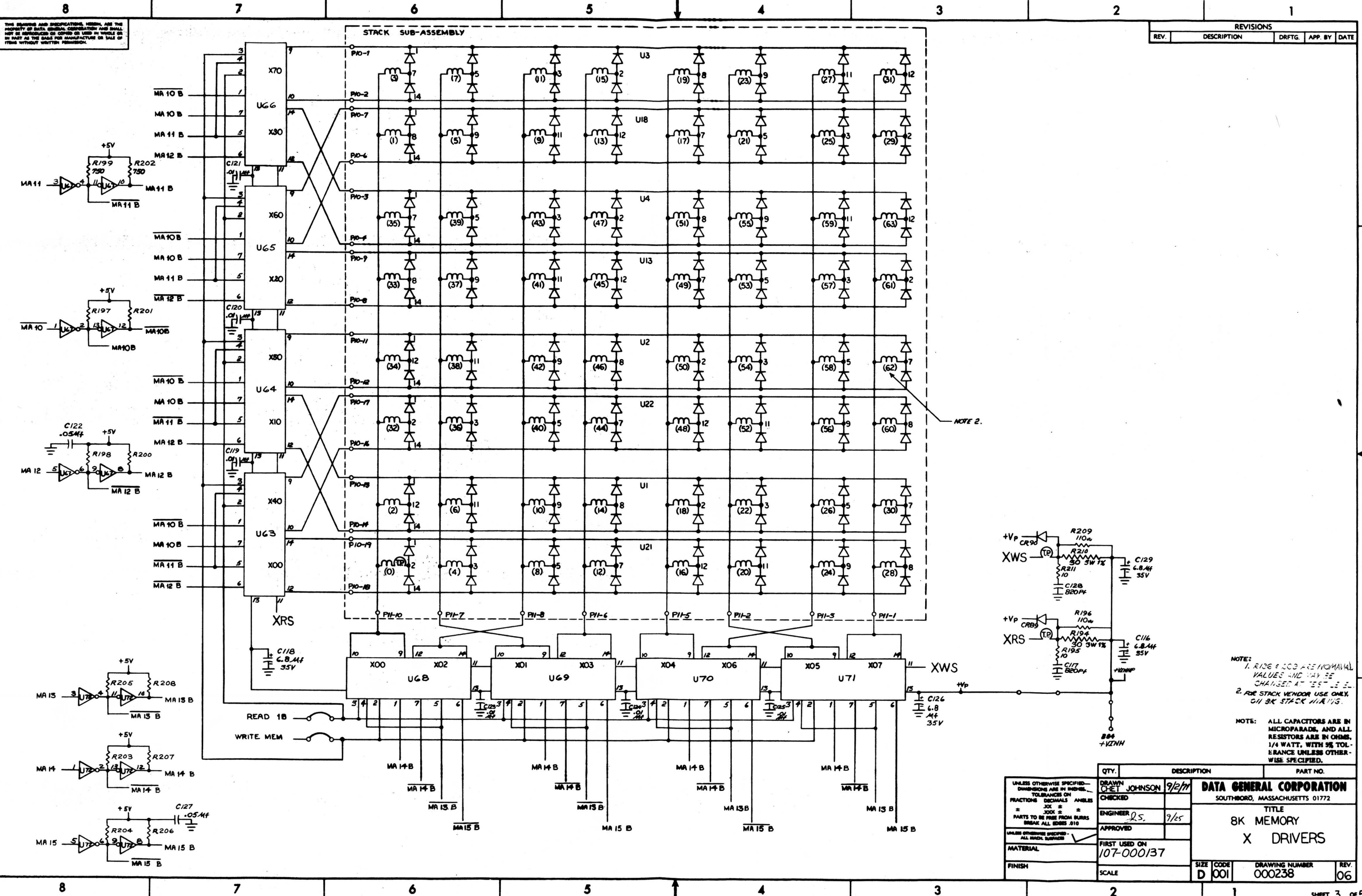
THIS DRAWING AND SPECIFICATIONS, HEREIN, ARE THE PROPERTY OF DATA GENERAL CORPORATION AND SHALL NOT BE REPRODUCED OR COPIED OR USED IN WHOLE OR IN PART AS THE BASIS FOR MANUFACTURE OR SALE OF ITEMS WITHOUT WRITTEN PERMISSION.

REVISIONS			
REV.	DESCRIPTION	DRFTG.	APP. BY DATE

NOTE: 1. ALL CAPACITORS ARE IN MICROFARADS, AND ALL RESISTORS ARE IN OHMS, 1/4 WATT, WITH 5% TOLERANCE UNLESS OTHERWISE SPECIFIED.
2. TRANSISTORS ARE DG5022

QTY.	DESCRIPTION	PART NO.

UNLESS OTHERWISE SPECIFIED—DIMENSIONS ARE IN INCHES TOLERANCES ON FRACTIONS DECIMALS ANGLES * JOOK * ** PARTS TO BE FREE FROM BURRS BREAK ALL SURF. #10		DATA GENERAL CORPORATION SOUTHBORO, MASSACHUSETTS 01772 TITLE 8K MEMORY SENSE & INHIBIT
CHECKED		
ENGINEER		DRAWING NUMBER 000238
APPROVED		
FIRST USED ON		REV.
		06
MATERIAL		
FINISH		



REVISIONS				
REV.	DESCRIPTION	DRFTG.	APP. BY	DATE

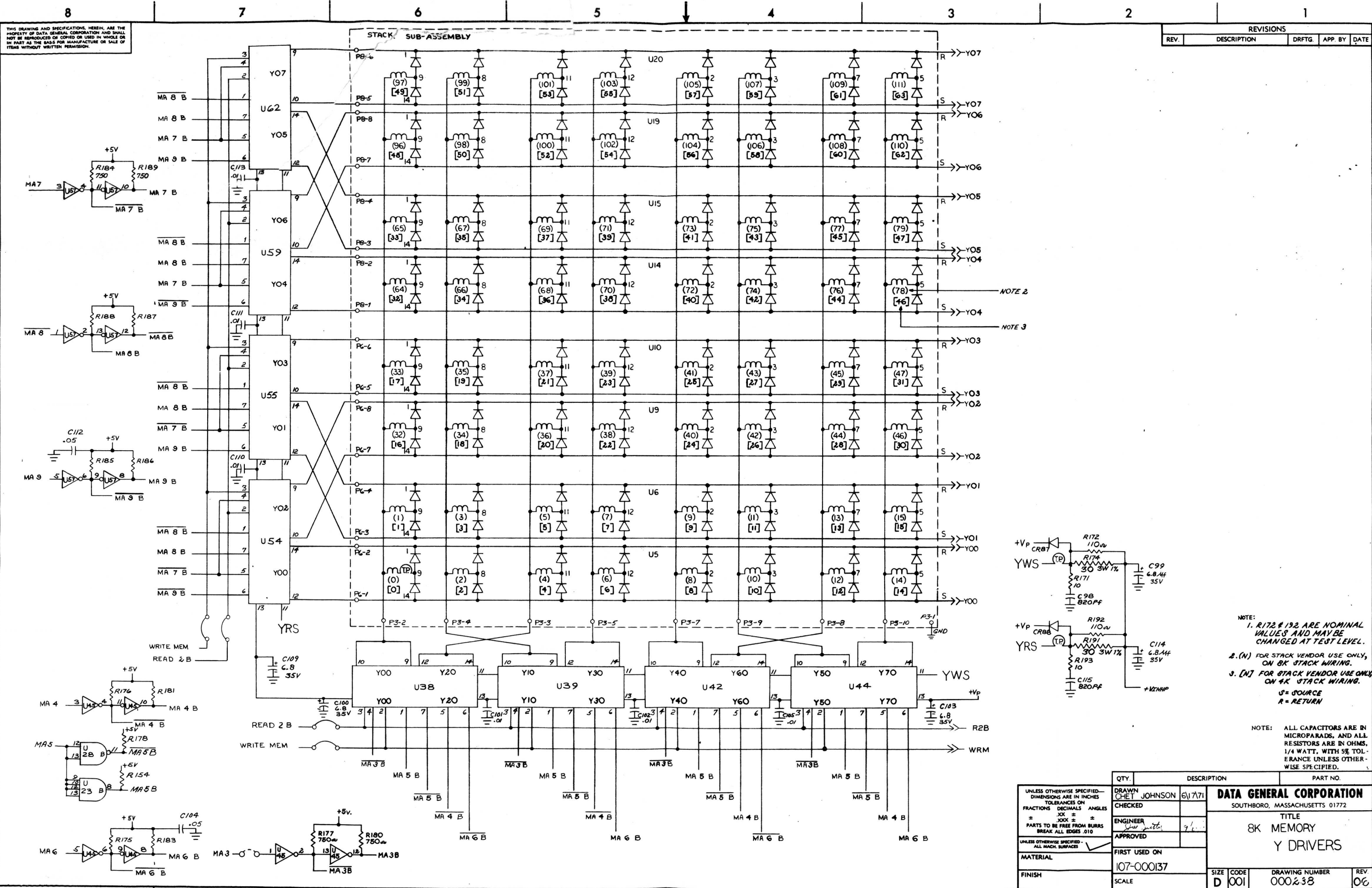
NOTE 2.

NOTE:
 1. R136 & C33 ARE NOMINAL VALUES AND MAY BE CHANGED AT TESTER'S DISCRETION.
 2. FOR STACK VENDOR USE ONLY. ON BK STACK W/IR 115.

NOTE:
 ALL CAPACITORS ARE IN MICROPARADE. AND ALL RESISTORS ARE IN OHMS, 1/4 WATT. WITH 5% TOLERANCE UNLESS OTHERWISE SPECIFIED.

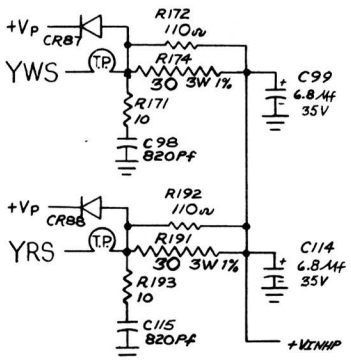
QTY.	DESCRIPTION	PART NO.

UNLESS OTHERWISE SPECIFIED—DIMENSIONS ARE IN INCHES—TOLERANCES ON FRACTIONS DECIMALS ON ANGLES XX ± .001 ± .002 PARTS TO BE FREE FROM BURRS BREAK ALL EDGES .010	DRAWN CHET JOHNSON 9/27/71	DATA GENERAL CORPORATION SOUTHBORO, MASSACHUSETTS 01772
	CHECKED 	
	ENGINEER J.S. 7/25	TITLE 8K MEMORY X DRIVERS
	APPROVED 	FIRST USED ON 107-000137
MATERIAL		
FINISH		
		SIZE CODE D 001
		DRAWING NUMBER 000238
		REV. 06



THIS DRAWING AND SPECIFICATIONS, HEREIN, ARE THE PROPERTY OF DATA GENERAL CORPORATION AND SHALL NOT BE REPRODUCED OR COPIED OR USED IN WHOLE OR IN PART AS THE BASIS FOR MANUFACTURE OR SALE OF ITEMS WITHOUT WRITTEN PERMISSION.

REVISIONS				
REV.	DESCRIPTION	DRFTG.	APP. BY	DATE



NOTE: 1. R172 & R192 ARE NOMINAL VALUES AND MAY BE CHANGED AT TEST LEVEL.
 2. [N] FOR STACK VENDOR USE ONLY, ON 8K STACK WIRING.
 3. [N] FOR STACK VENDOR USE ONLY, ON 4K STACK WIRING.
 S = SOURCE
 R = RETURN

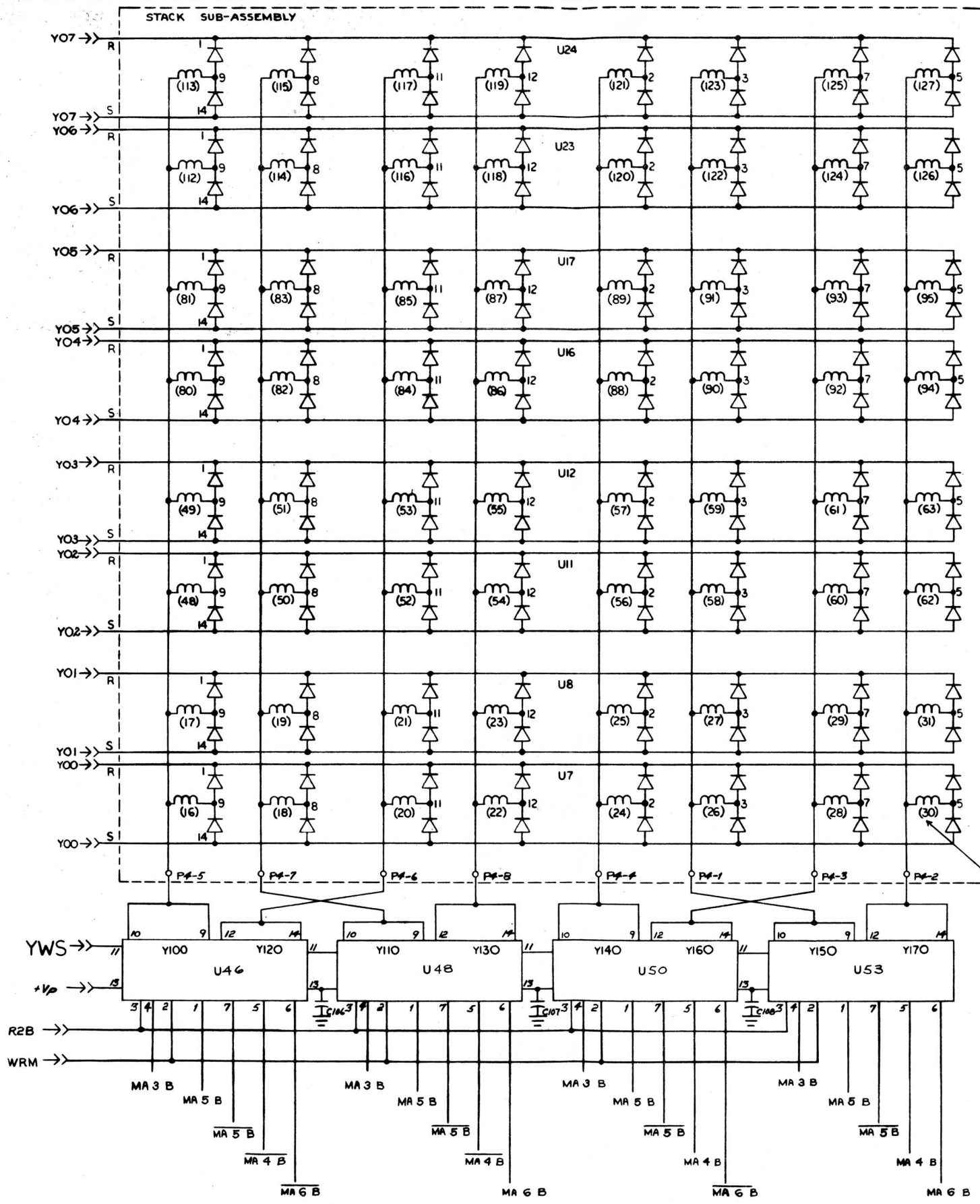
NOTE: ALL CAPACITORS ARE IN MICROPARADS, AND ALL RESISTORS ARE IN OHMS, 1/4 WATT, WITH 5% TOLERANCE UNLESS OTHERWISE SPECIFIED.

QTY.	DESCRIPTION	PART NO.

DRAWN CHET JOHNSON 6/17/71		DATA GENERAL CORPORATION	
CHECKED		SOUTHBORO, MASSACHUSETTS 01772	
ENGINEER J. W. [Signature]		TITLE 8K MEMORY Y DRIVERS	
APPROVED		DRAWING NUMBER 000238	
FIRST USED ON		SIZE D	CODE 001
107-000137		REV. 06	
MATERIAL		DRAWING NUMBER 000238	
FINISH		REV. 06	

THIS DRAWING AND SPECIFICATIONS HEREIN ARE THE PROPERTY OF DATA GENERAL CORPORATION AND SHALL NOT BE REPRODUCED OR COPIED OR USED IN WHOLE OR IN PART AS THE BASIS FOR MANUFACTURE OR SALE OF ITEMS WITHOUT WRITTEN PERMISSION.

REVISIONS			
REV.	DESCRIPTION	DRFTG.	APP. BY DATE



NOTE 1

NOTE:-

1. FOR STACK VENDOR USE ONLY, ON 8K STACK WIRING.

NOTE: ALL CAPACITORS ARE IN MICROFARADS, AND ALL RESISTORS ARE IN OHMS, 1/4 WATT, WITH 5% TOLERANCE UNLESS OTHERWISE SPECIFIED.

QTY.	DESCRIPTION	PART NO.

UNLESS OTHERWISE SPECIFIED— DIMENSIONS ARE IN INCHES TOLERANCES ON FRACTIONS DECIMALS ANGLES X .001 ± PARTS TO BE FREE FROM BURRS BREAK ALL EDGES .010	DRAWN CHET JOHNSON 9/3/77	DATA GENERAL CORPORATION SOUTHBORO, MASSACHUSETTS 01772 TITLE 8K MEMORY Y DRIVERS
CHECKED		
ENGINEER D.S. 7/25		
APPROVED		
UNLESS OTHERWISE SPECIFIED— ALL MACH. SURFACES	FIRST USED ON 107-000137	SIZE CODE D 001
MATERIAL		DRAWING NUMBER 000238
FINISH	SCALE	REV 06