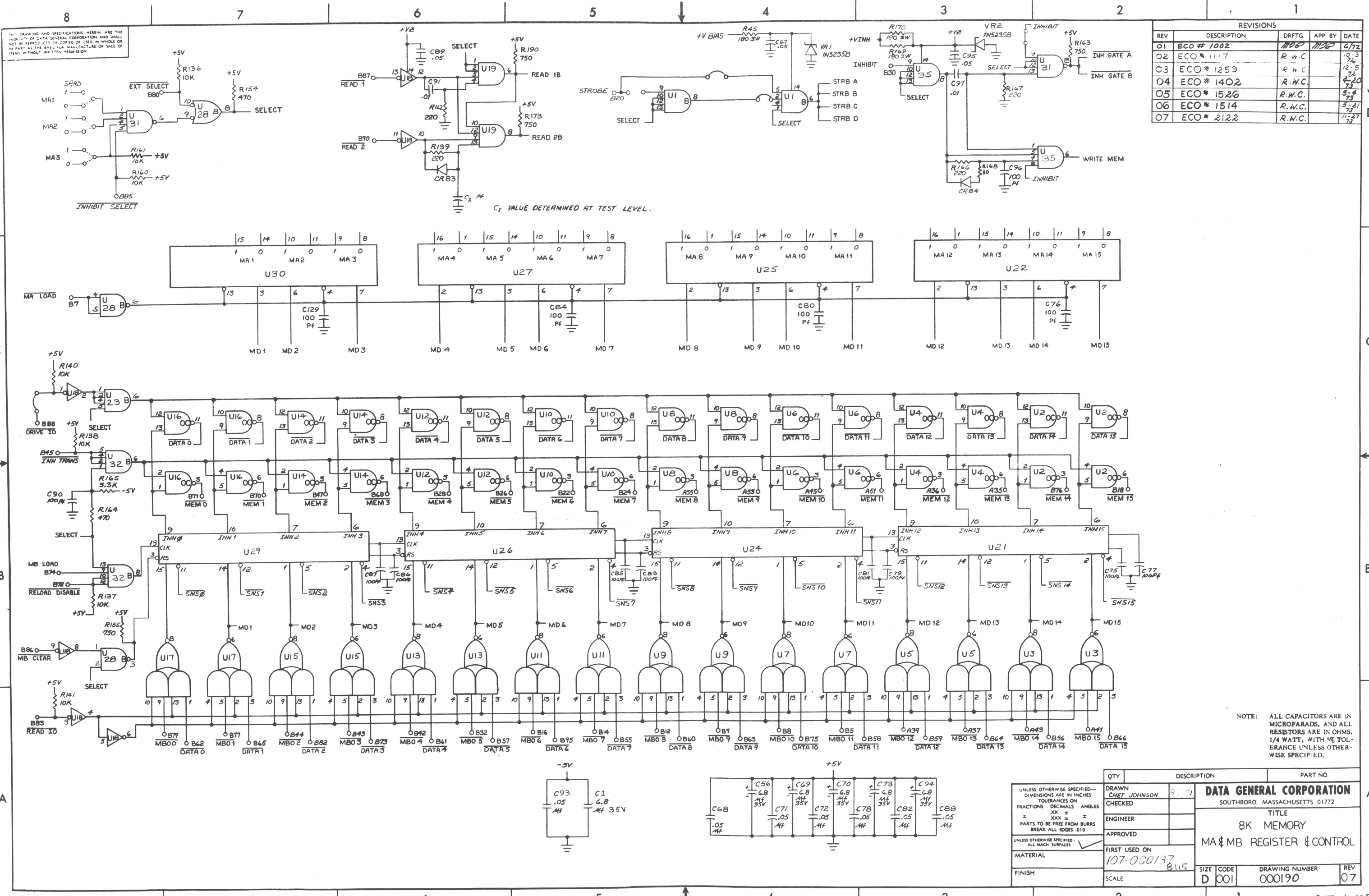


THE DRAWING AND SPECIFICATIONS HEREIN ARE THE PROPERTY OF DATA GENERAL CORPORATION AND SHALL NOT BE REPRODUCED OR COPIED OR USED IN WHOLE OR IN PART AS THE BASIS FOR MANUFACTURE OR SALE OF ITEMS WITHOUT WRITTEN PERMISSION

REVISIONS				
REV	DESCRIPTION	DRFTG	APP BY	DATE
01	ECO # 1002	MDB	MDB	6/72
02	ECO # 1117	R.W.C.		10-3-72
03	ECO # 1259	R.W.C.		12-5-72
04	ECO # 1402	R.W.C.		4-20-73
05	ECO # 1526	R.W.C.		5-4-73
06	ECO # 1514	R.W.C.		5-21-73
07	ECO # 2122	R.W.C.		11-27-73



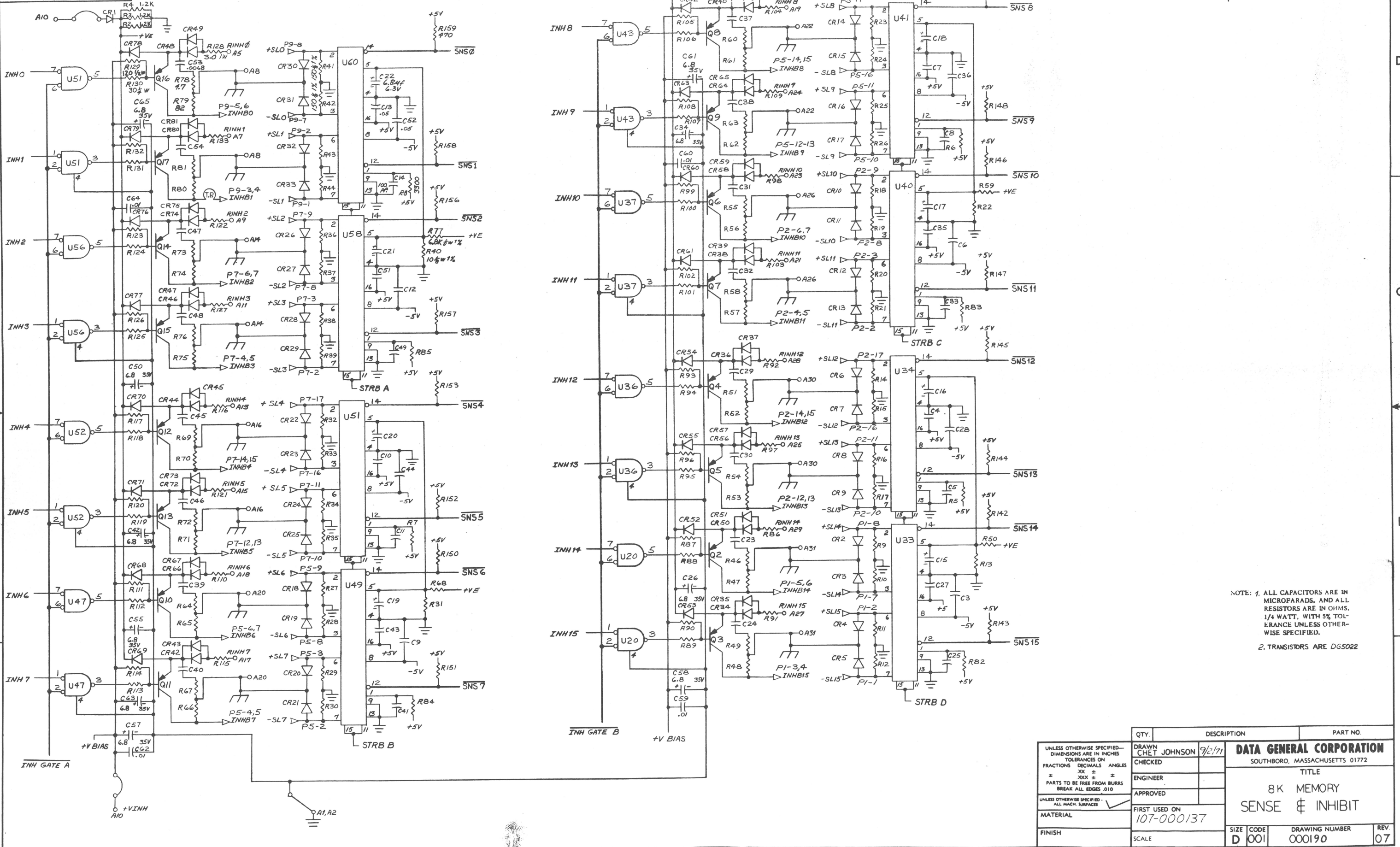
NOTE: ALL CAPACITORS ARE IN MICROFARADS, AND ALL RESISTORS ARE IN OHMS, 1/4 WATT, WITH 5% TOLERANCE UNLESS OTHERWISE SPECIFIED.

QTY	DESCRIPTION	PART NO
	DRAWN	CHEF JOHNSON
	CHECKED	
	ENGINEER	
	APPROVED	
	FIRST USED ON	107-000137
	MATERIAL	
	FINISH	

DATA GENERAL CORPORATION		SOUTHBORO, MASSACHUSETTS 01772	
TITLE			
8K MEMORY			
MA & MB REGISTER & CONTROL			
SIZE	CODE	DRAWING NUMBER	REV
D	001	000190	07

THIS DRAWING AND SPECIFICATIONS, HEREIN, ARE THE PROPERTY OF DATA GENERAL CORPORATION AND SHALL NOT BE REPRODUCED OR COPIED OR USED IN WHOLE OR IN PART AS THE BASIS FOR MANUFACTURE OR SALE OF ITEMS WITHOUT WRITTEN PERMISSION.

REVISIONS				
REV	DESCRIPTION	DRFTG	APP BY	DATE



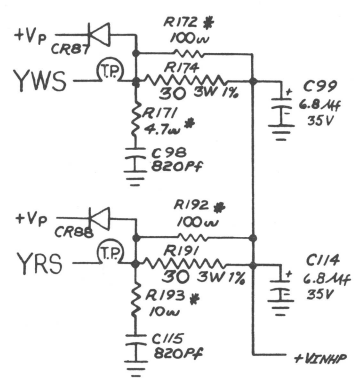
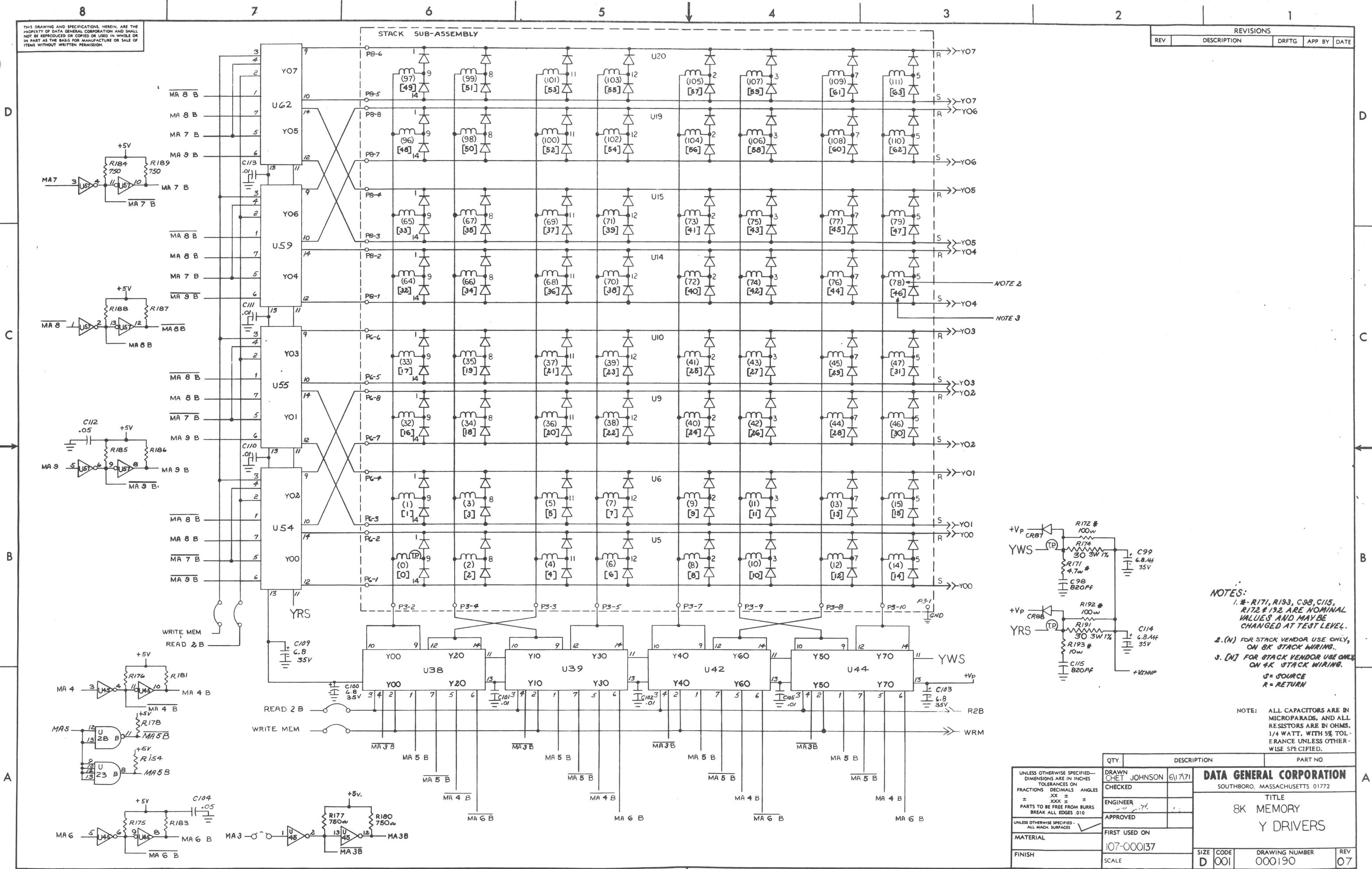
NOTE: 1. ALL CAPACITORS ARE IN MICROFARADS, AND ALL RESISTORS ARE IN OHMS. 1/4 WATT, WITH 5% TOLERANCE UNLESS OTHERWISE SPECIFIED.
2. TRANSISTORS ARE DGS022

QTY.	DESCRIPTION	PART NO.

UNLESS OTHERWISE SPECIFIED— DIMENSIONS ARE IN INCHES TOLERANCES ON FRACTIONS DECIMALS ANGLES XXX ± ± .XXX ± PARTS TO BE FREE FROM BURRS BREAK ALL EDGES .010	DRAWN CHET JOHNSON 9/2/71 CHECKED ENGINEER APPROVED FIRST USED ON 107-000137	DATA GENERAL CORPORATION SOUTHBORO, MASSACHUSETTS 01772 TITLE 8K MEMORY SENSE & INHIBIT
UNLESS OTHERWISE SPECIFIED— ALL MACH SURFACES	MATERIAL	SIZE CODE D 001
FINISH	SCALE	DRAWING NUMBER 000190
		REV. 07

THIS DRAWING AND SPECIFICATIONS, HEREIN, ARE THE PROPERTY OF DATA GENERAL CORPORATION AND SHALL NOT BE REPRODUCED OR COPIED OR USED IN WHOLE OR IN PART AS THE BASIS FOR MANUFACTURE OR SALE OF ITEMS WITHOUT WRITTEN PERMISSION.

REVISIONS			
REV	DESCRIPTION	DRFTG	APP BY DATE



NOTES:
 1. R171, R193, C99, C115, R172 & 192 ARE NOMINAL VALUES AND MAY BE CHANGED AT TEST LEVEL.
 2. (N) FOR STACK VENDOR USE ONLY, ON 8K STACK WIRING.
 3. (N) FOR STACK VENDOR USE ONLY, ON 4K STACK WIRING.
 S = SOURCE
 R = RETURN

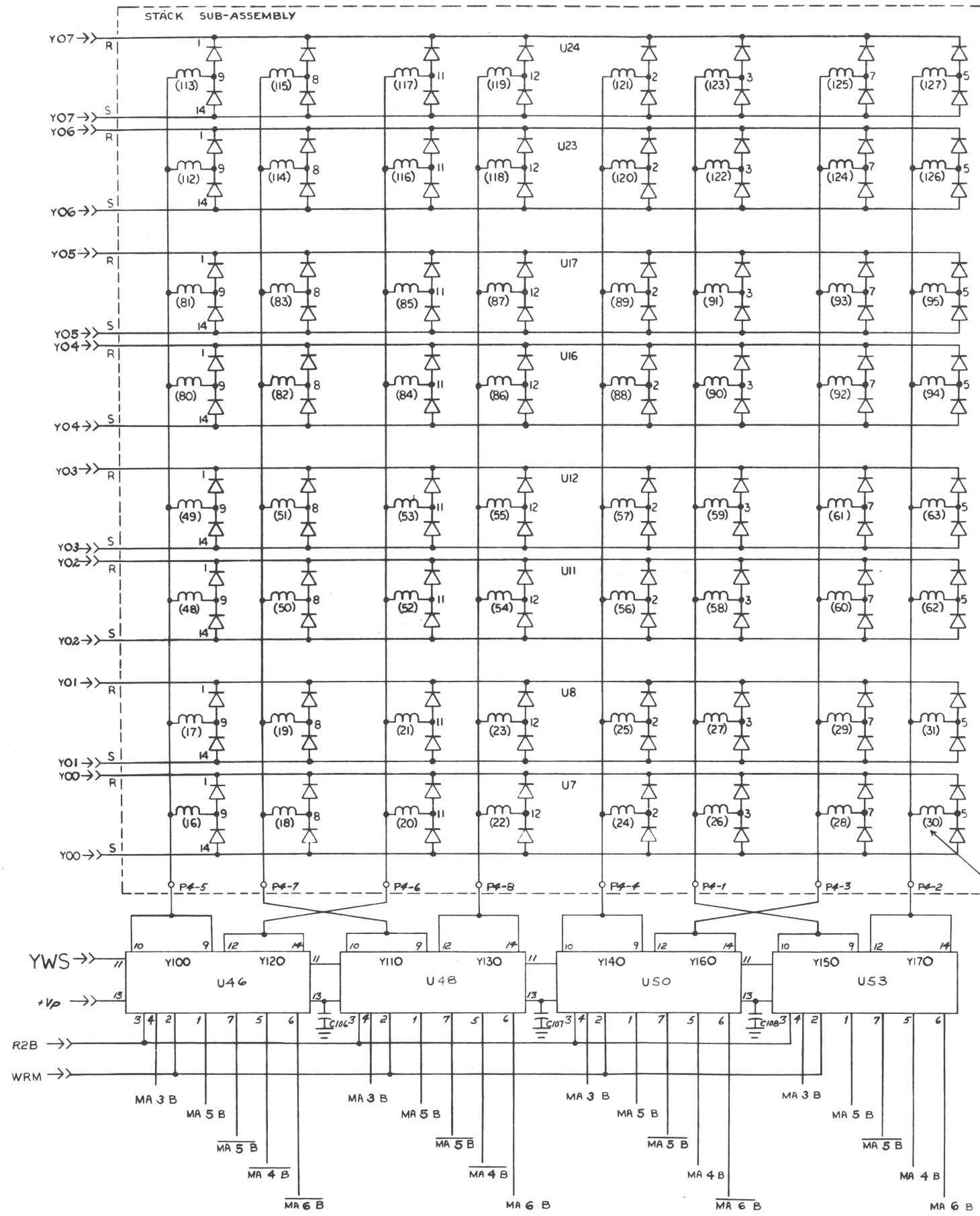
NOTE: ALL CAPACITORS ARE IN MICROFARADS, AND ALL RESISTORS ARE IN OHMS. 1/4 WATT, WITH 5% TOLERANCE UNLESS OTHERWISE SPECIFIED.

QTY.	DESCRIPTION	PART NO.

UNLESS OTHERWISE SPECIFIED— DIMENSIONS ARE IN INCHES— TOLERANCES ON FRACTIONS— DECIMALS— ANGLES— .XX ± .XXX ± .XXXX ± PARTS TO BE FREE FROM BURRS— BREAK ALL EDGES .010 UNLESS OTHERWISE SPECIFIED— ALL MACH. SURFACES	DRAWN CHET JOHNSON 6/17/71 CHECKED ENGINEER APPROVED FIRST USED ON 107-000137 MATERIAL FINISH SCALE	DATA GENERAL CORPORATION SOUTHBORO, MASSACHUSETTS 01772 TITLE 8K MEMORY Y DRIVERS SIZE D 001 DRAWING NUMBER 000190 REV 07
---	---	---

THIS DRAWING AND SPECIFICATIONS HEREIN ARE THE PROPERTY OF DATA GENERAL CORPORATION AND SHALL NOT BE REPRODUCED OR COPIED OR USED IN WHOLE OR IN PART AS THE BASIS FOR MANUFACTURE OR SALE OF ITEMS WITHOUT WRITTEN PERMISSION.

REVISIONS				
REV	DESCRIPTION	DRFTG	APP BY	DATE



NOTE 1

NOTE:-
1. FOR STACK VENDOR USE ONLY,
ON BK STACK WIRING.

NOTE: ALL CAPACITORS ARE IN MICROFARADS, AND ALL RESISTORS ARE IN OHMS, 1/4 WATT, WITH 5% TOLERANCE UNLESS OTHERWISE SPECIFIED.

QTY	DESCRIPTION	PART NO.

UNLESS OTHERWISE SPECIFIED— DIMENSIONS ARE IN INCHES TOLERANCES ON FRACTIONS DECIMALS ANGLES ± .005 ± .010 ± .015 PARTS TO BE FREE FROM BURRS BREAK ALL EDGES .010	DRAWN CHET JOHNSON 9/3/71	DATA GENERAL CORPORATION SOUTHBORO, MASSACHUSETTS 01772	
APPROVED		TITLE 8K MEMORY Y DRIVERS	
MATERIAL	FIRST USED ON 107-000137	SIZE D	CODE 001
FINISH	SCALE	DRAWING NUMBER 000190	REV 07

8 7 6 5 4 3 2 1

8 7 6 5 4 3 2 1 SHEET 5 OF 5