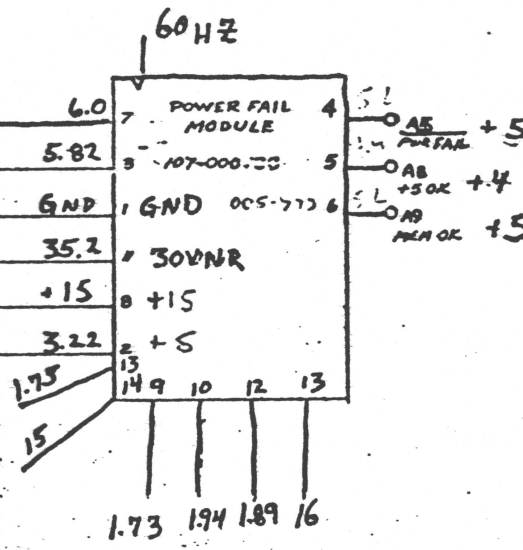
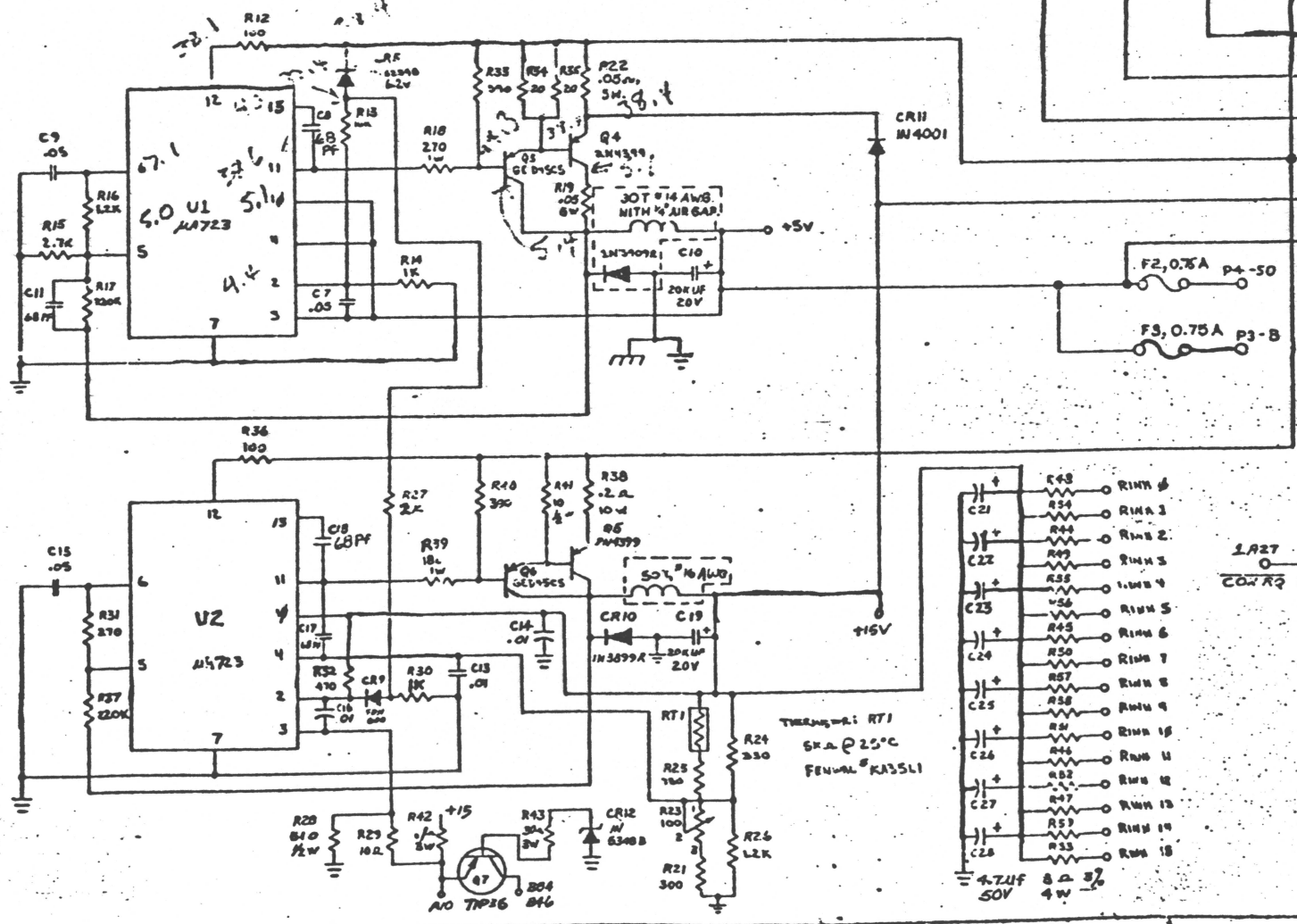
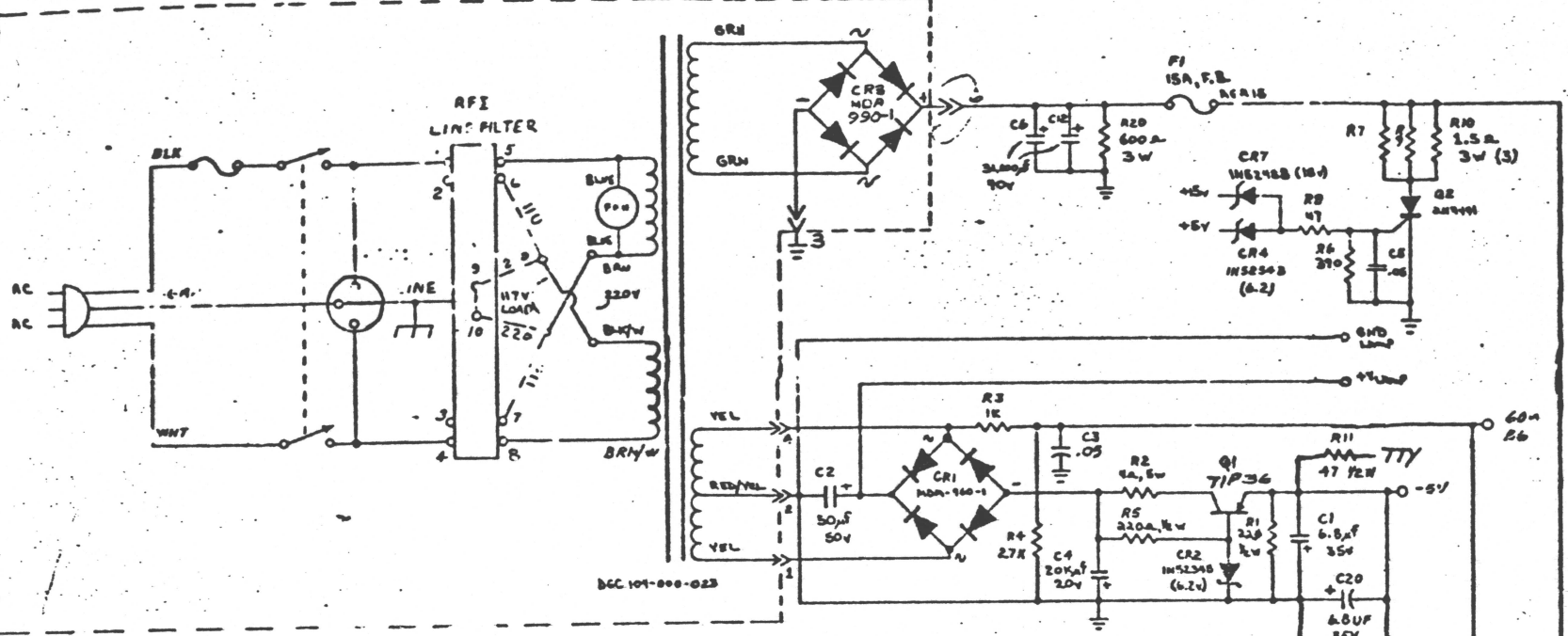


THIS DRAWING AND SPECIFICATIONS HEREBY ARE THE PROPERTY OF DATA GENERAL CORPORATION AND SHALL NOT BE REPRODUCED OR TRANSMITTED IN ANY FORM OR BY ANY MEANS, ELECTRONIC OR MECHANICAL, INCLUDING PHOTOCOPYING, RECORDING, OR BY ANY INFORMATION STORAGE AND RETRIEVAL SYSTEM, WITHOUT THE WRITTEN PERMISSION OF DATA GENERAL CORPORATION.

REVISIONS				
REV	DESCRIPTION	DATE	APP BY	DATE
01	REV FOR MED PRINT	2/75		1/1/75
02	ECO # 429 848	RWK		2/1/75
03	ECO # 375	P.F.		4-1-75
04	ECO # 1025	M.J.P.		6-7-75
05	ECO # 1038	M.J.P.		6-7-75
06	ECO # 1046	M.J.P.		6-7-75
07	ECO # 1177	R.W.C.		09/75
08	ECO # 1178	M.J.P.		11/75
09	ECO # 1177	M.J.P.		11/75
10	ECO # 1221	M.J.P.		11/2/75
11	ECO # 1354	R.W.C.		7-20-75
12	ECO # 2155	R.W.C.		7-1-75
13	ECO # 2221	G.W.M.		7-5-75
14	ECO # 2662	G.W.M.		7-4-75



GOES DOWN FIRST GIVES PROGRAM INTERRUPT LAST TO GO. SEC. SHUTS OFF RUN TO PROTECT MEM.

QTY	DESCRIPTION	PART NO.
1	DATA GENERAL CORPORATION	
1	SOUTH BORO, MASSACHUSETTS 01772	
1	TITLE	
1	BACK PANEL	
1	POWER SUPPLY	
1	820 1220	
1	SIZE CODE	
1	D 001	
1	DRAWING NUMBER	
1	000173	
1	REV	
1	14	