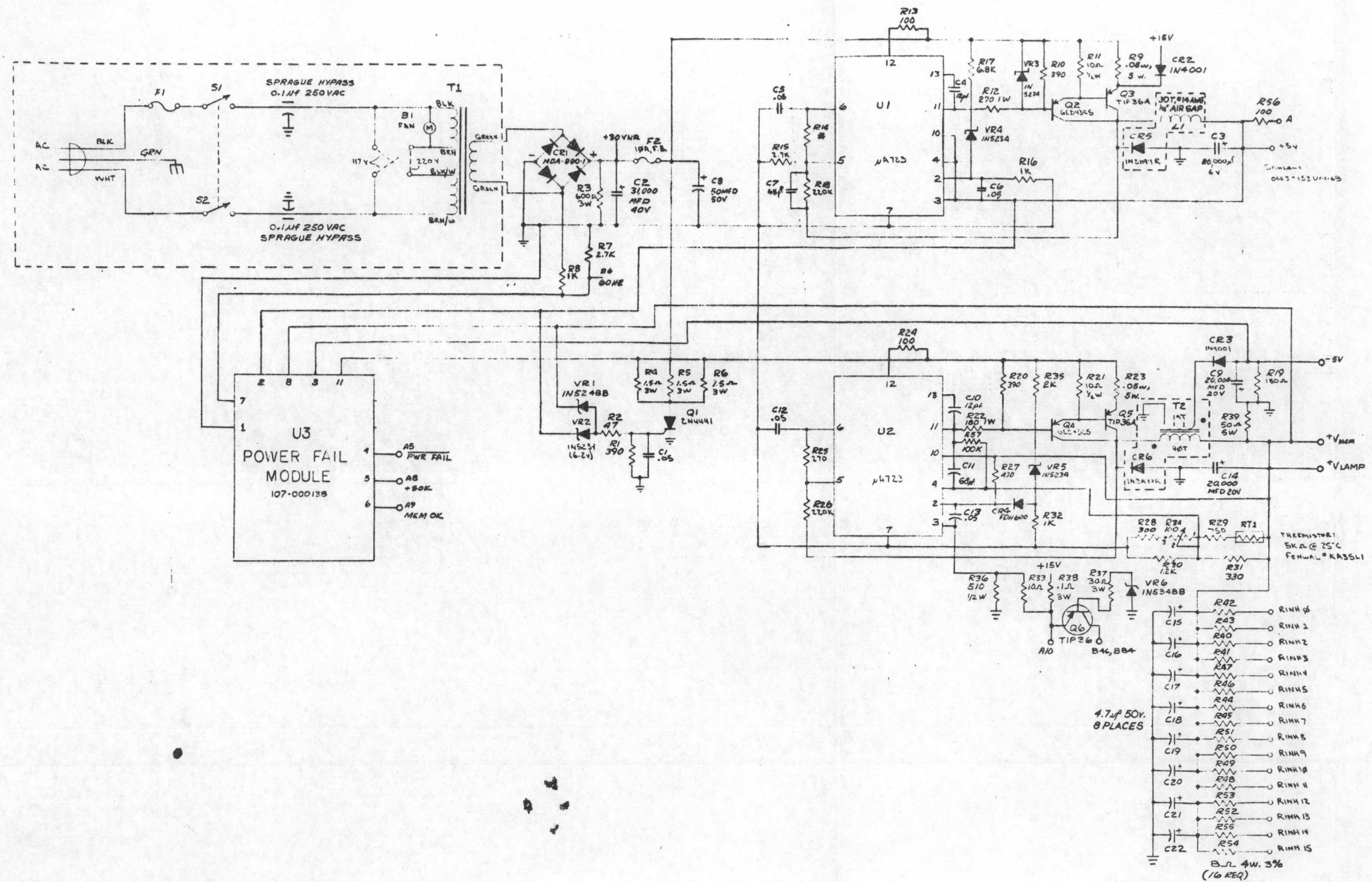


ALL DIMENSIONS AND SPECIFICATIONS HEREIN ARE THE PROPERTY OF DATA GENERAL CORPORATION AND SHALL NOT BE REPRODUCED OR USED IN WHOLE OR IN PART WITHOUT THE WRITTEN PERMISSION OF DATA GENERAL CORPORATION.

REVISIONS				
REV	DESCRIPTION	DRFTG	APP BY	DATE
01	REV PER MKD PRINT	RWS		11-1-72
02	REV PER ECO # 809	FWS		1-24-72
03	REV PER ECO # 829	RWS		3-17-72
04	ECO # 1052 CHANGE OF VALUE 6.8K PLACES TO 4.7K 50V 8 PLACES	R.W.C.		10-16-72
05	ECO # 1197 CHANGE OF VALUE 8W 3W 3% (16 REQ) TO 8W 4W 3% (16 REQ)	R.W.C.		10-16-72
06	ECO # 1478	R.W.C.		3-21-73
07	ECO # 1556	R.W.C.		10-16-73
08	ECO # 1943	R.W.C.		10-16-73
09	ECO # 2199	R.W.C.		1-17-74
10	ECO # 2211	R.W.C.		1-17-74
11	ECO # 2363	R.W.C.		4-18-74



NOTES:  
1. \* RESISTOR VALUES SELECTED AT TEST.

NMC		QTY	DESCRIPTION	PART NO
UNLESS OTHERWISE SPECIFIED—	DRAWN R SMITH			
DIMENSIONS ARE IN INCHES	CHECKED			
TOLERANCES ON FRACTIONS DECIMALS ANGLES	ENGINEER R. GRUNLIR			
XX = PARTS TO BE FREE FROM BURRS	APPROVED			
BREAK ALL EDGES 010	FIRST USED ON 1216			
UNLESS OTHERWISE SPECIFIED—	107-000109			
ALL MACH SURFACES	SCALE			
MATERIAL				
FINISH				

DATA GENERAL CORPORATION			
SOUTHBORO MASSACHUSETTS 01772			
TITLE			
BACK PNL 1210			
POWER SUPPLY			
SIZE	CODE	DRAWING NUMBER	REV
D	001	000172	11