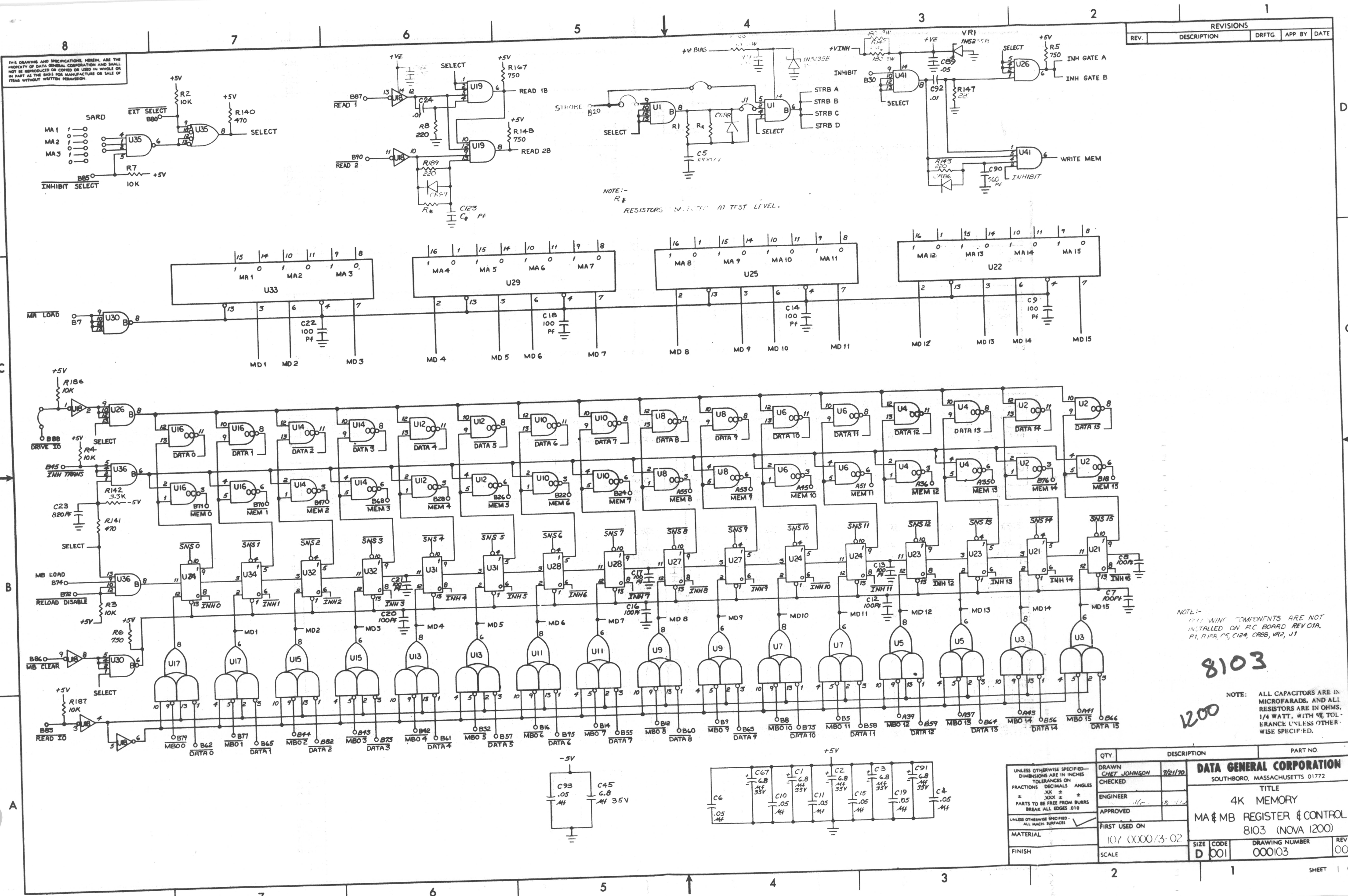


REVISIONS				
REV.	DESCRIPTION	DRFTG	APP BY	DATE

THIS DRAWING AND SPECIFICATIONS, HEREIN, ARE THE PROPERTY OF DATA GENERAL CORPORATION AND SHALL NOT BE REPRODUCED OR COPIED OR USED IN WHOLE OR IN PART AS THE BASIS FOR MANUFACTURE OR SALE OF ITEMS WITHOUT WRITTEN PERMISSION.



NOTE:-  
RESISTORS SPECIFIED AT TEST LEVEL.

NOTE:-  
1711 WIND COMPONENTS ARE NOT  
INSTALLED ON P.C. BOARD REV 01A.  
R1, R18, R5, C12, C88, VR2, J1

8103

1200

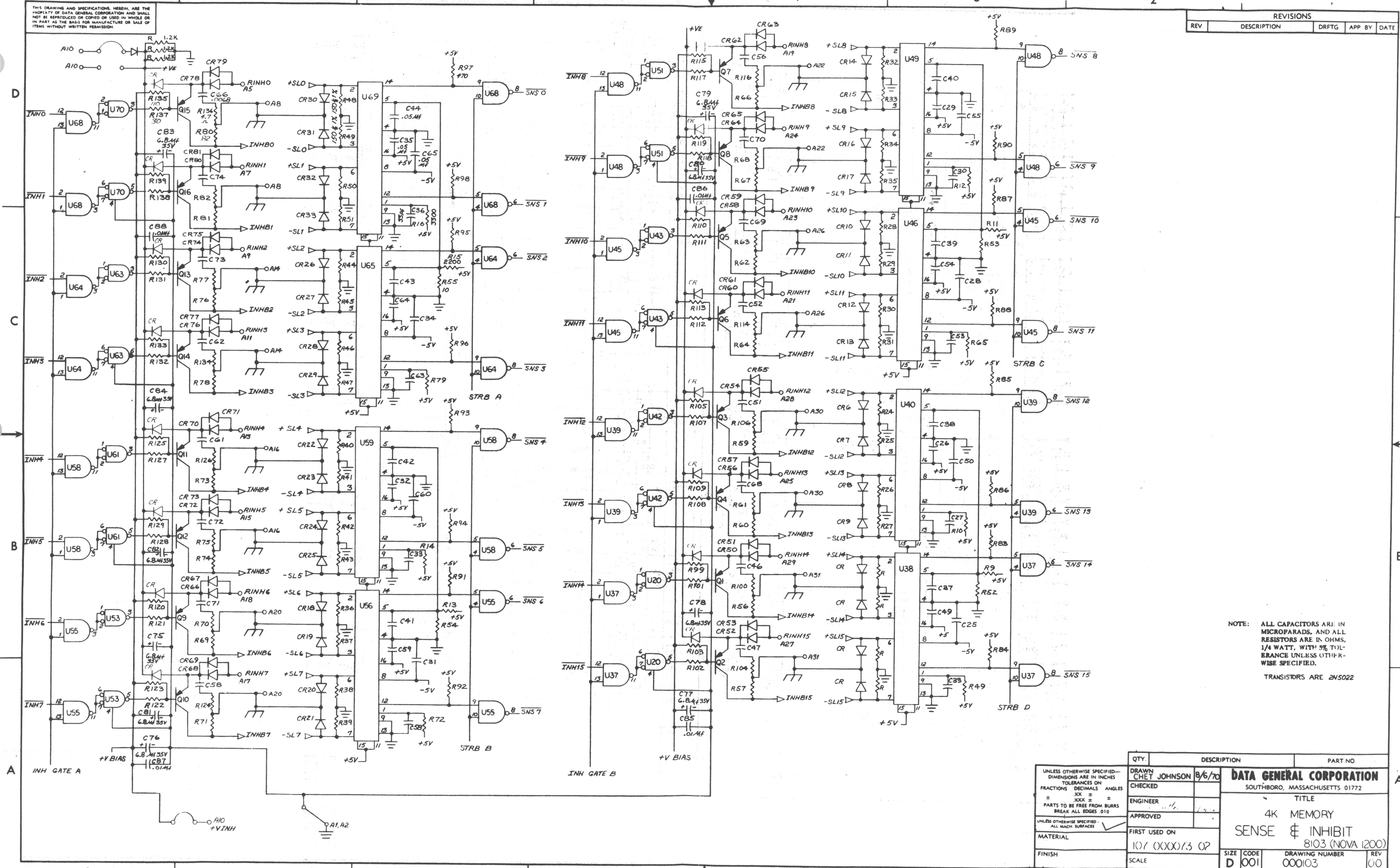
NOTE: ALL CAPACITORS ARE IN MICROFARADS, AND ALL RESISTORS ARE IN OHMS. 1/4 WATT, WITH % TOLERANCE UNLESS OTHERWISE SPECIFIED.

QTY.	DESCRIPTION	PART NO

DRAWN CHET JOHNSON 7/21/70		DATA GENERAL CORPORATION SOUTHBORO, MASSACHUSETTS 01772	
CHECKED		TITLE 4K MEMORY MA & MB REGISTER & CONTROL 8103 (NOVA 1200)	
ENGINEER		SIZE CODE D 001	
APPROVED		DRAWING NUMBER 000103	
FIRST USED ON 10/0000/3-02		REV 00	
MATERIAL		SCALE	
FINISH			

THIS DRAWING AND SPECIFICATIONS HEREIN, ARE THE PROPERTY OF DATA GENERAL CORPORATION AND SHALL NOT BE REPRODUCED OR COPIED OR USED IN WHOLE OR IN PART AS THE BASIS FOR MANUFACTURE OR SALE OF ITEMS WITHOUT WRITTEN PERMISSION.

REVISIONS			
REV	DESCRIPTION	DRFTG	APP BY DATE

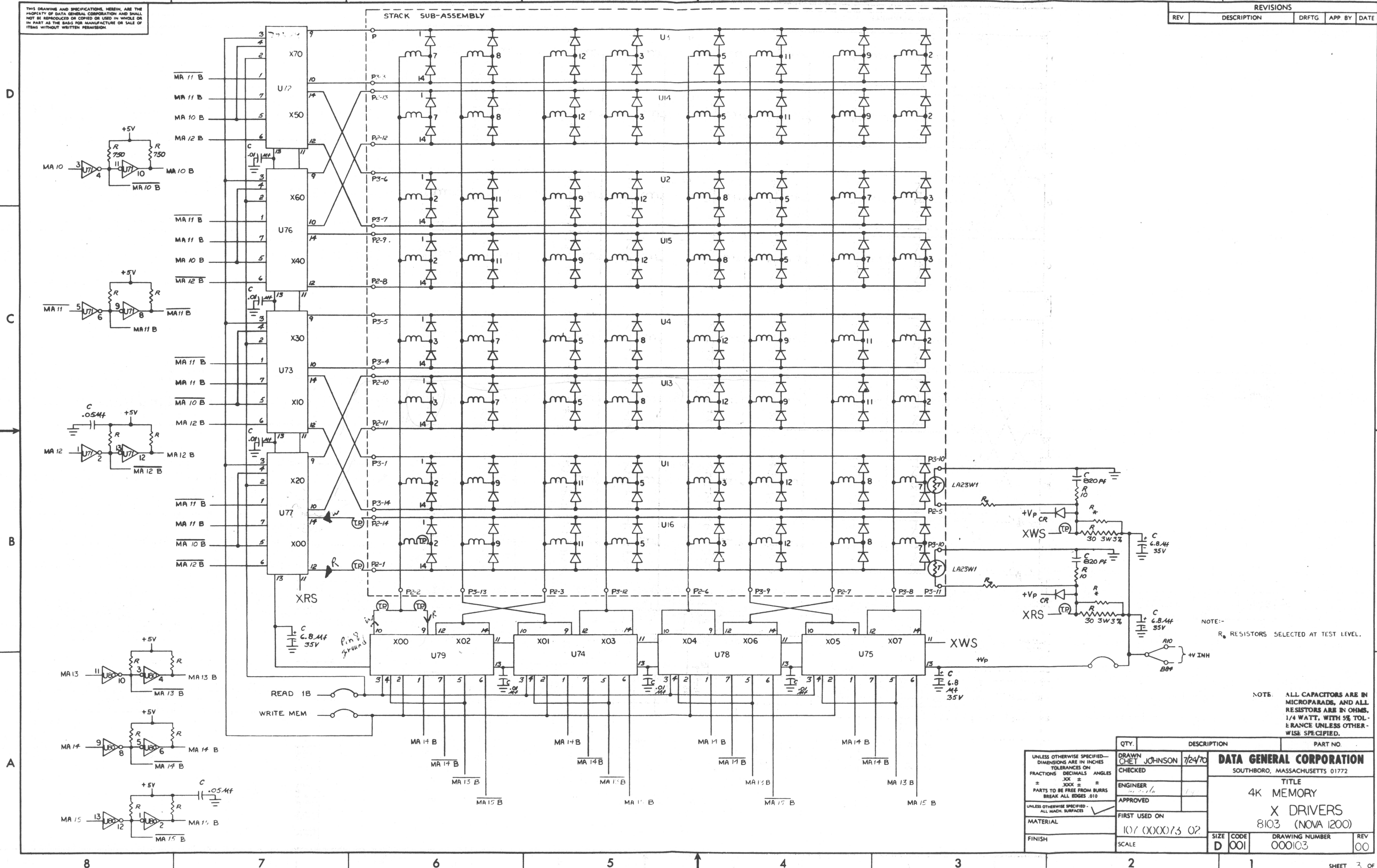


NOTE: ALL CAPACITORS ARE IN MICROFARADS, AND ALL RESISTORS ARE IN OHMS, 1/4 WATT, WITH 5% TOLERANCE UNLESS OTHERWISE SPECIFIED.  
TRANSISTORS ARE 2N5022

QTY.	DESCRIPTION	PART NO
DRAWN	CHET JOHNSON 8/6/70	<b>DATA GENERAL CORPORATION</b> SOUTHBORO, MASSACHUSETTS 01772 TITLE <b>4K MEMORY</b> <b>SENSE &amp; INHIBIT</b> 8103 (NOVA 1200)
CHECKED		
ENGINEER		
APPROVED		
FIRST USED ON	107 000073 02	SIZE CODE
MATERIAL		D 001
FINISH		DRAWING NUMBER
		000103
SCALE		REV
		00

THIS DRAWING AND SPECIFICATIONS HEREIN ARE THE PROPERTY OF DATA GENERAL CORPORATION AND SHALL NOT BE REPRODUCED OR COPIED OR USED IN WHOLE OR IN PART AS THE BASIS FOR MANUFACTURE OR SALE OF ITEMS WITHOUT WRITTEN PERMISSION.

REVISIONS				
REV	DESCRIPTION	DRFTG	APP BY	DATE



NOTE: R<sub>s</sub> RESISTORS SELECTED AT TEST LEVEL.

NOTE: ALL CAPACITORS ARE IN MICROPARADES, AND ALL RESISTORS ARE IN OHMS, 1/4 WATT, WITH 5% TOLERANCE UNLESS OTHERWISE SPECIFIED.

QTY.	DESCRIPTION	PART NO.

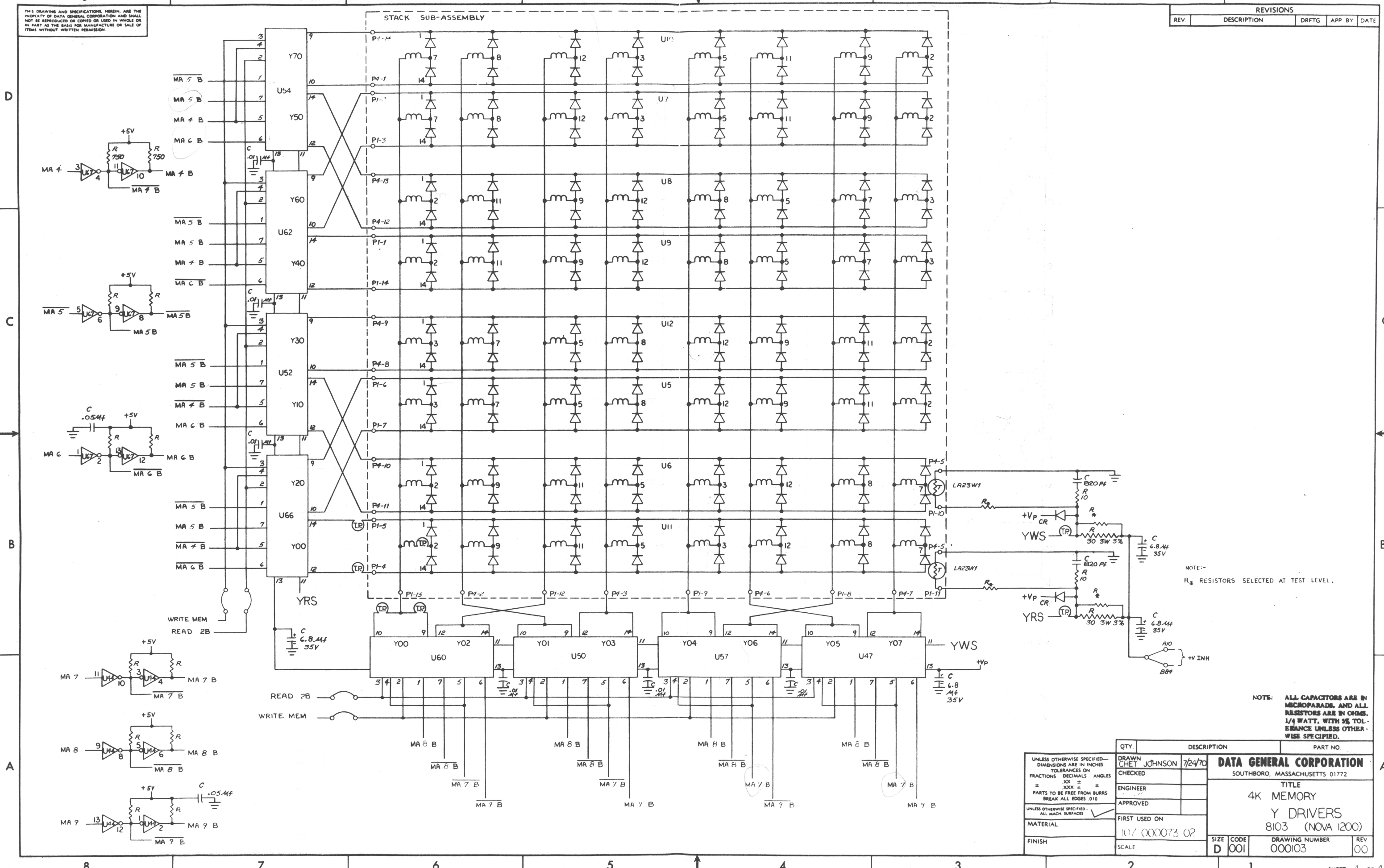
UNLESS OTHERWISE SPECIFIED— DIMENSIONS ARE IN INCHES FRACTIONS DECIMALS ANGLES		DRAWN CHET JOHNSON 7/24/70	
TOLERANCES ON FRACTIONS DECIMALS ANGLES ± .005 ± .005 ± .005 PARTS TO BE FREE FROM BURRS BREAK ALL EDGES .010		CHECKED	
UNLESS OTHERWISE SPECIFIED— ALL MACH. SURFACES		ENGINEER 	
MATERIAL		APPROVED	
FINISH		FIRST USED ON	
SCALE		10/000073 02	

DATA GENERAL CORPORATION SOUTHBORO, MASSACHUSETTS 01772	
TITLE 4K MEMORY X DRIVERS 8103 (NOVA 1200)	
SIZE D 001	CODE 000103
DRAWING NUMBER 000103	REV 00

THIS DRAWING AND SPECIFICATIONS HEREIN, ARE THE PROPERTY OF DATA GENERAL CORPORATION AND SHALL NOT BE REPRODUCED OR COPIED OR USED IN WHOLE OR IN PART AS THE BASIS FOR MANUFACTURE OR SALE OF ITEMS WITHOUT WRITTEN PERMISSION.

REVISIONS				
REV.	DESCRIPTION	DRFTG	APP BY	DATE



NOTE:-  
R\* RESISTORS SELECTED AT TEST LEVEL.

NOTE: ALL CAPACITORS ARE IN MICROFARADS, AND ALL RESISTORS ARE IN OHMS, 1/4 WATT, WITH 5% TOLERANCE UNLESS OTHERWISE SPECIFIED.

QTY.	DESCRIPTION	PART NO.

UNLESS OTHERWISE SPECIFIED— DIMENSIONS ARE IN INCHES TOLERANCES ON FRACTIONS DECIMALS ANGLES XX ± ± XXX ± ± PARTS TO BE FREE FROM BURRS BREAK ALL EDGES 010		<b>DATA GENERAL CORPORATION</b> SOUTHBORO, MASSACHUSETTS 01772	
DRAWN CHET JOHNSON 7/24/70		TITLE 4K MEMORY Y DRIVERS 8103 (NOVA 1200)	
CHECKED		DRAWING NUMBER 000103	
ENGINEER		REV 00	
APPROVED		SIZE CODE D 001	
FIRST USED ON 107 000073 02		DRAWING NUMBER 000103	
MATERIAL		REV 00	
FINISH		SCALE	