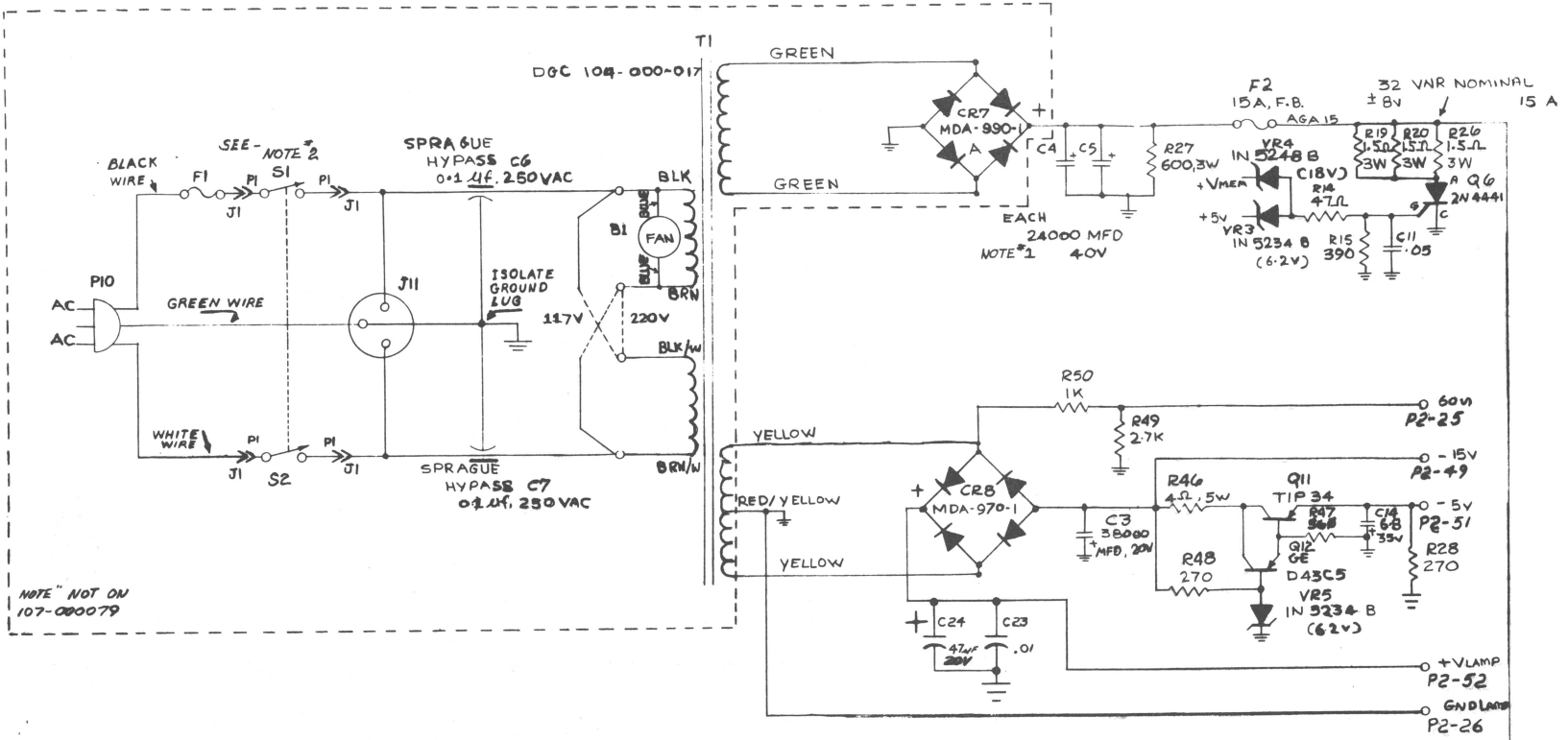
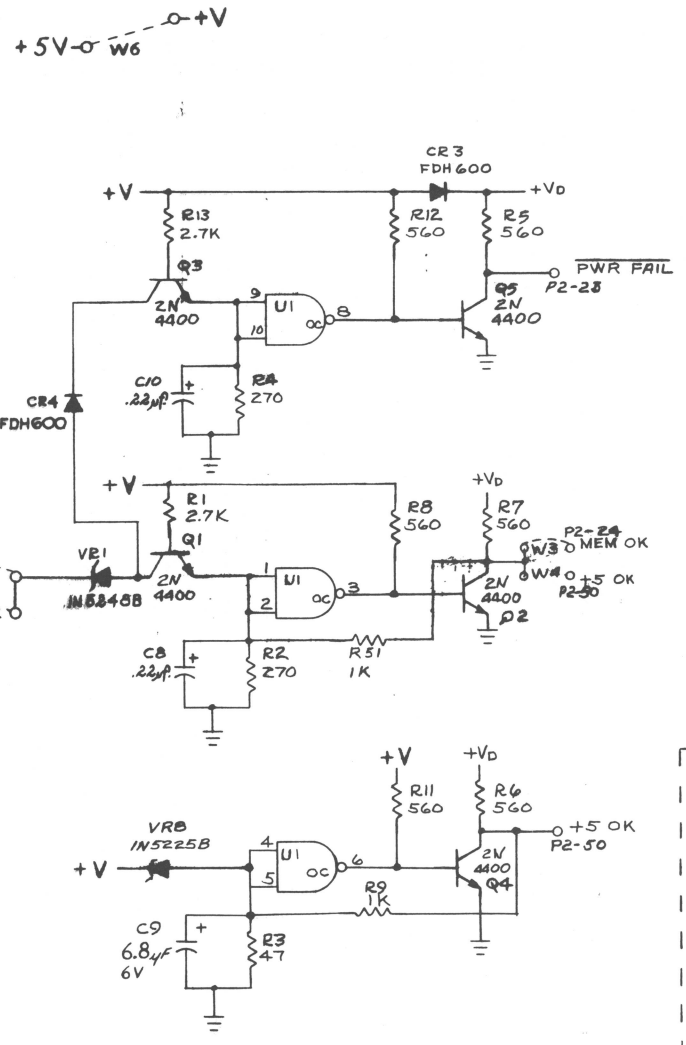
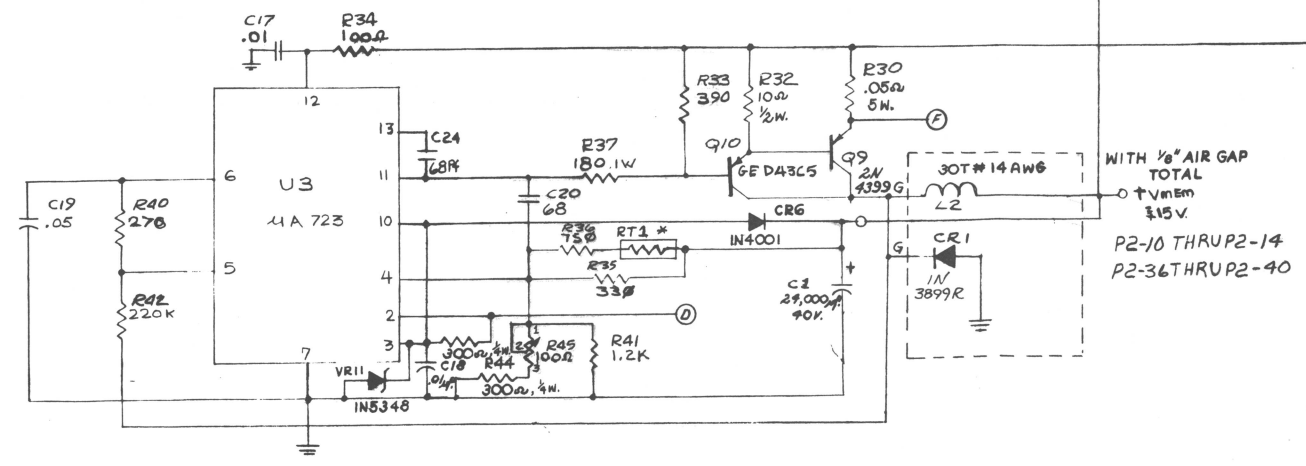
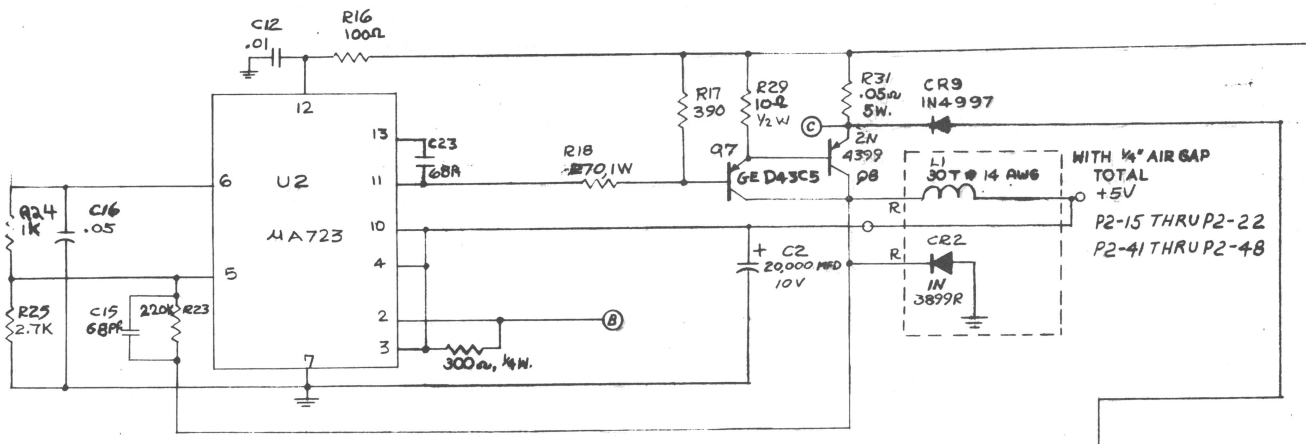


THIS DRAWING AND SPECIFICATIONS, HEREIN, ARE THE PROPERTY OF DATA GENERAL CORPORATION AND SHALL NOT BE REPRODUCED OR COPIED OR USED IN WHOLE OR IN PART AS THE BASIS FOR MANUFACTURE OR SALE OF ITEMS WITHOUT WRITTEN PERMISSION.

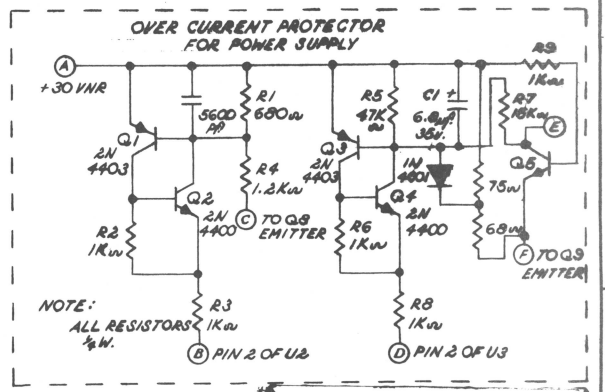
| REVISIONS | | | | |
|-----------|---------------------------------------|--------|--------|----------|
| REV | DESCRIPTION | DRFTG | APP BY | DATE |
| 01 | ECO# 111 | MDC | MDC | 12-1-70 |
| 02 | ECO# 1539165 | MDC | MDC | 1-20-71 |
| 03 | ECO# 288 | MDC | MDC | 4-21-71 |
| 04 | ECO# 301 | RHS | RHS | 9/28/71 |
| 05 | REF. DR. FOR DODED PWR SWG TO 125.300 | RHS | RHS | 1/24/71 |
| 06 | ECO# 407 | WJS | WJS | 8/6/71 |
| 07 | ECO# 364 | WJS | WJS | 8/6/71 |
| 08 | ECO# 371 | WJS | WJS | 8/6/71 |
| 09 | ECO# 431 | WJS | WJS | 8/6/71 |
| 10 | ECO# 493 + 569 | WJS | WJS | 8/6/71 |
| 11 | ECO# 570 | RHS | RHS | 11-16-71 |
| 12 | ECO# 576 | RHS | RHS | 11-16-71 |
| 13 | ECO# 579 | RHS | RHS | 11-16-71 |
| 14 | ECO# 790 | MDC | MDC | 8/17/72 |
| 15 | ECO# 801 | MDC | MDC | 8/17/72 |
| 16 | ECO# 897 | MDC | MDC | 3/12/73 |
| 17 | ECO# 1034 | MDC | MDC | 8/17/72 |
| 18 | ECO# 1053 | MDC | MDC | 8/17/72 |
| 19 | ECO# 1077 | MDC | MDC | 8/17/72 |
| 20 | ECO# 1339 | R.N.C. | R.N.C. | 4-11-73 |
| 21 | ECO# 1530 | R.N.C. | R.N.C. | 4-11-73 |
| 22 | ECO# 1717 | R.N.C. | R.N.C. | 7-11-73 |
| 23 | ECO# 1739 | R.N.C. | R.N.C. | 7-11-73 |
| 24 | ECO# 1848 | R.N.C. | R.N.C. | 8-10-73 |



NOTE * NOT ON 107-000079



NOTE 1: +30VNR FILTER CAPS MAY BE 19,000MFD TO 24,000MFD
 NOTE 2: POWER SWITCH IS MOUNTED ON ENCLOSURE MAIN FRAME ASSEMBLY AND IS SHOWN FOR REFERENCE, SEE DWG. 001-000089



| | | |
|--|----------------|----------|
| QTY. | DESCRIPTION | PART NO. |
| UNLESS OTHERWISE SPECIFIED—DIMENSIONS ARE IN INCHES TOLERANCES ON FRACTIONS DECIMALS ANGLES .XX = .XX .XXX = .XXX PARTS TO BE FREE FROM BURRS BREAK ALL EDGES .010 | | |
| UNLESS OTHERWISE SPECIFIED—ALL MACH. SURFACES | | |
| MATERIAL | | |
| FINISH | | |
| SCALE | DRAWING NUMBER | REV. |
| SCALE | 0000 91 | 24 |

DATA GENERAL CORPORATION
 SOUTHBORO, MASSACHUSETTS 01772
 TITLE
NOVA 800, 1200
POWER SUPPLY