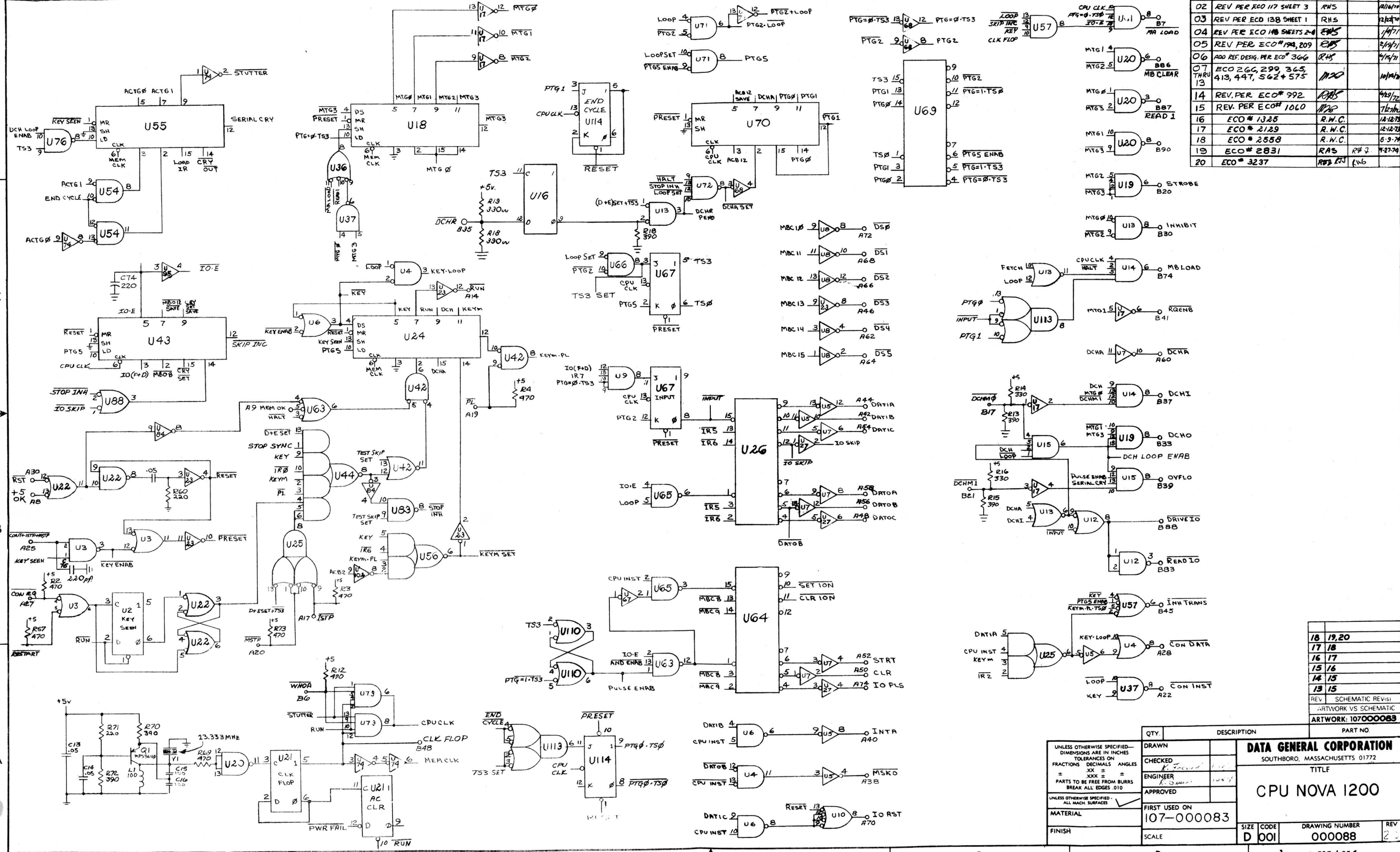


THIS DRAWING AND SPECIFICATIONS, HEREIN, ARE THE PROPERTY OF DATA GENERAL CORPORATION AND SHALL NOT BE REPRODUCED OR COPIED OR USED IN WHOLE OR IN PART AS THE BASIS FOR MANUFACTURE OR SALE OF ITEMS WITHOUT WRITTEN PERMISSION.



| REVISIONS |  |        |        |          |
|-----------|--|--------|--------|----------|
| REV       | DESCRIPTION                            | DRFTG  | APP BY | DATE     |
| 01        | REVISED PER MND PRINT                  | EMS    |        | 11/10/74 |
| 02        | REV PER ECO 117 SHEET 3                | RHS    |        | 11/14/74 |
| 03        | REV PER ECO 138 SHEET 1                | RHS    |        | 12/17/74 |
| 04        | REV PER ECO 148 SHEETS 2-4             | EMS    |        | 1/17/75  |
| 05        | REV PER ECO #198, 209                  | EMS    |        | 2/19/75  |
| 06        | ADD REF. DESIG. PER ECO #366           | RHS    |        | 3/19/75  |
| 07        | ECO 266, 299, 365, 413, 447, 562 + 575 | MSO    |        | 10/14/75 |
| 14        | REV. PER. ECO # 992                    | RHS    |        | 9/29/76  |
| 15        | REV. PER ECO # 1060                    | RHS    |        | 7/6/76   |
| 16        | ECO # 1325                             | R.W.C. |        | 12-12-78 |
| 17        | ECO # 2129                             | R.W.C. |        | 12-12-78 |
| 18        | ECO # 2558                             | R.W.C. |        | 6-9-79   |
| 19        | ECO # 2831                             | RAS    | R# 2   | 7-27-79  |
| 20        | ECO # 3237                             | RHS    | MS     |          |

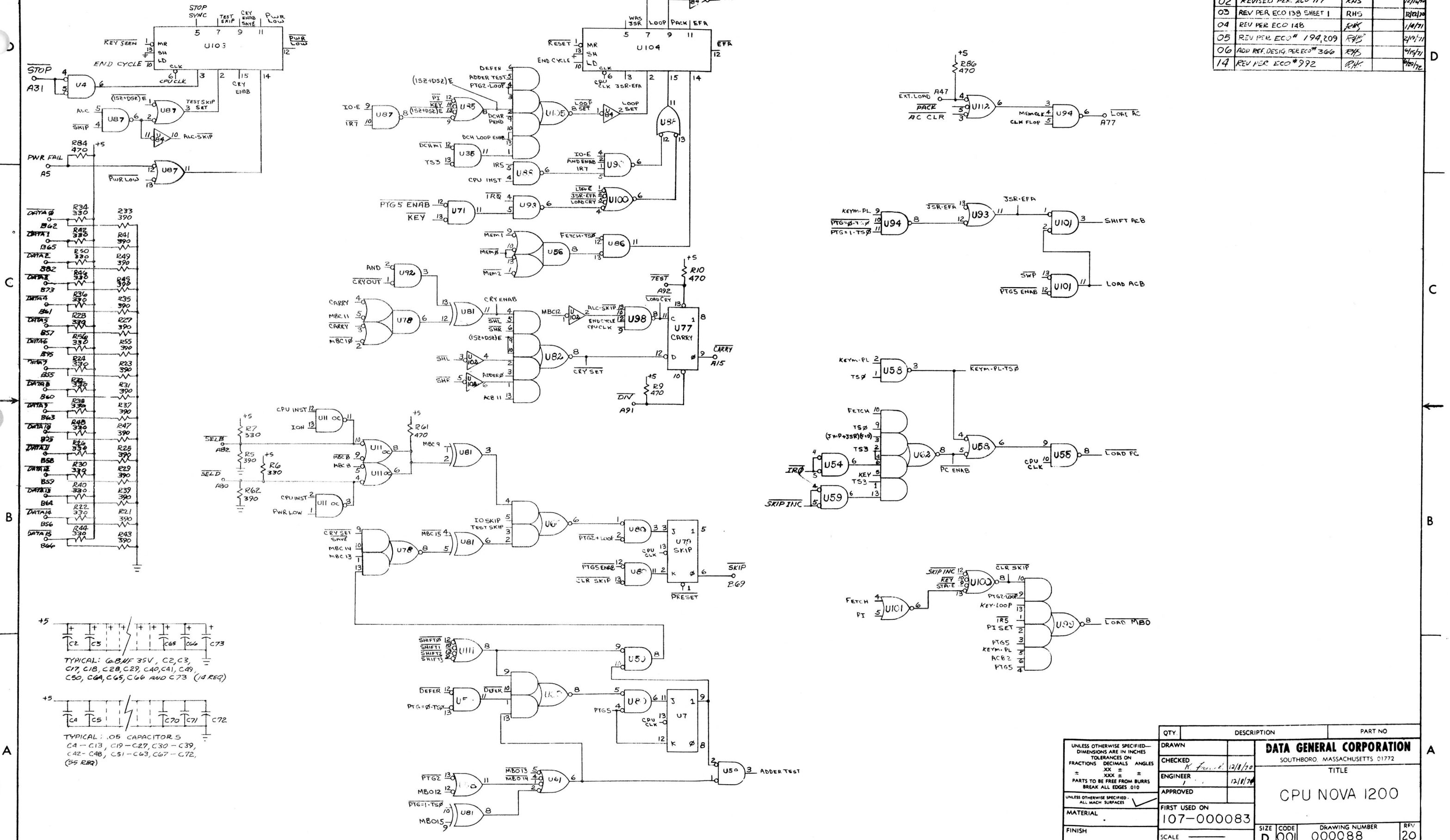
|    |        |
|----|--------|
| 18 | 19, 20 |
| 17 | 18     |
| 16 | 17     |
| 15 | 16     |
| 14 | 15     |
| 13 | 14     |
| 12 | 13     |
| 11 | 12     |
| 10 | 11     |
| 9  | 10     |
| 8  | 9      |
| 7  | 8      |
| 6  | 7      |
| 5  | 6      |
| 4  | 5      |
| 3  | 4      |
| 2  | 3      |
| 1  | 2      |

|  |   |          |             |               |
|--|---|----------|-------------|---------------|
| UNLESS OTHERWISE SPECIFIED— DIMENSIONS ARE IN INCHES<br>FRACTIONS DECIMALS ANGLES<br>X.X ± .01<br>X.XX ± .005<br>PARTS TO BE FREE FROM BURRS<br>BREAK ALL EDGES .010 | UNLESS OTHERWISE SPECIFIED— ALL MACH SURFACES | QTY.     | DESCRIPTION | PART NO.      |
| DRAWN  | CHECKED                                       | ENGINEER | APPROVED    | FIRST USED ON |
| DATA GENERAL CORPORATION<br>SOUTHBORO, MASSACHUSETTS 01772   |   |          |             | TITLE         |
| CPU NOVA 1200  |   |          |             | SIZE CODE     |
| DRAWING NUMBER   |   |          |             | REV           |
| 000088   |   |          |             | 2             |
| SCALE  |   |          |             | SHEET 1 OF 4  |



THIS DRAWING AND SPECIFICATIONS HEREIN, ARE THE PROPERTY OF DATA GENERAL CORPORATION AND SHALL NOT BE REPRODUCED OR COPIED OR USED IN WHOLE OR IN PART AS THE BASIS FOR MANUFACTURE OR SALE OF ITEMS WITHOUT WRITTEN PERMISSION.

| REVISIONS |                               |       |        |          |
|-----------|-------------------------------|-------|--------|----------|
| REV       | DESCRIPTION                   | DRFTG | APP BY | DATE     |
| 01        | REVISED PER MFG PRINT         | RHS   |        | 11/19/71 |
| 02        | REVISED PER ECO 117           | RHS   |        | 12/14/71 |
| 03        | REV PER ECO 138 SHEET 1       | RHS   |        | 12/21/71 |
| 04        | REV PER ECO 148               | RHS   |        | 1/14/72  |
| 05        | REV PER ECO # 194,209         | RHS   |        | 2/19/72  |
| 06        | ADD REF. DESIG. PER ECO # 306 | RHS   |        | 4/15/72  |
| 14        | REV PER ECO # 992             | RHS   |        | 4/19/72  |



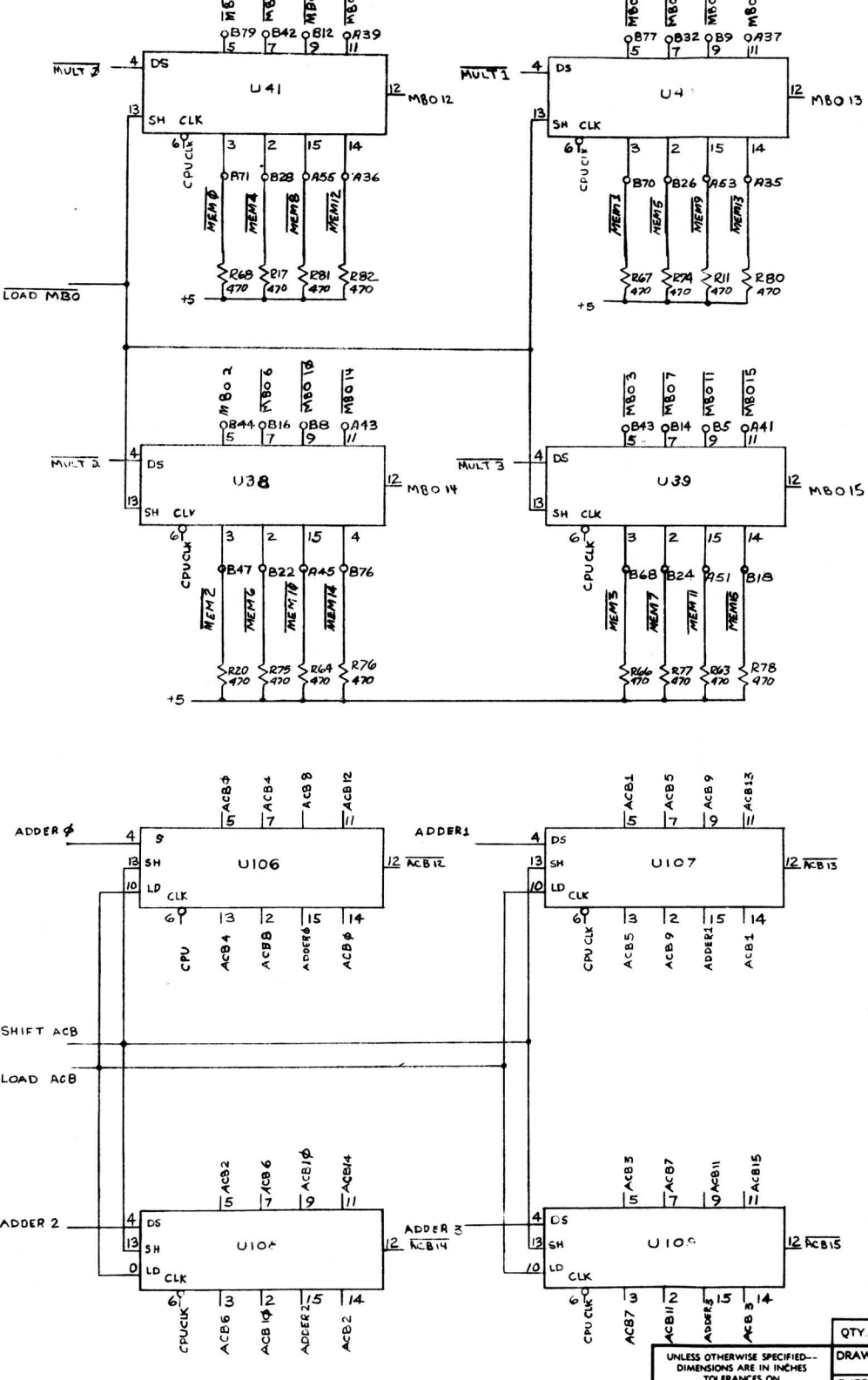
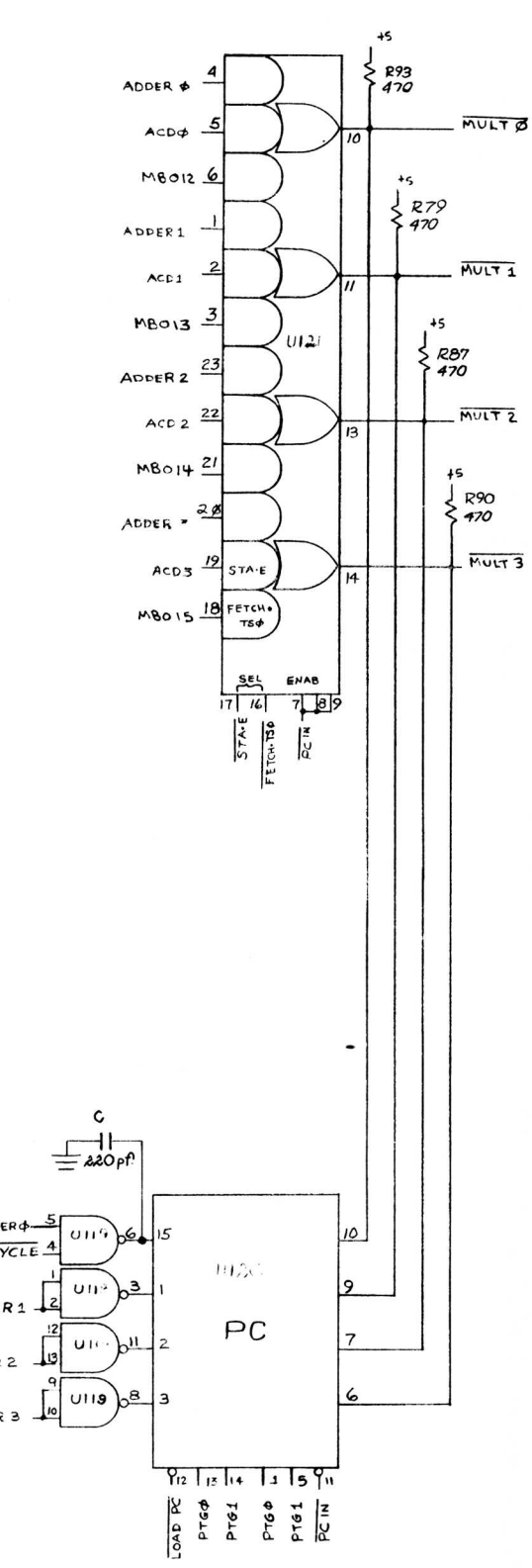
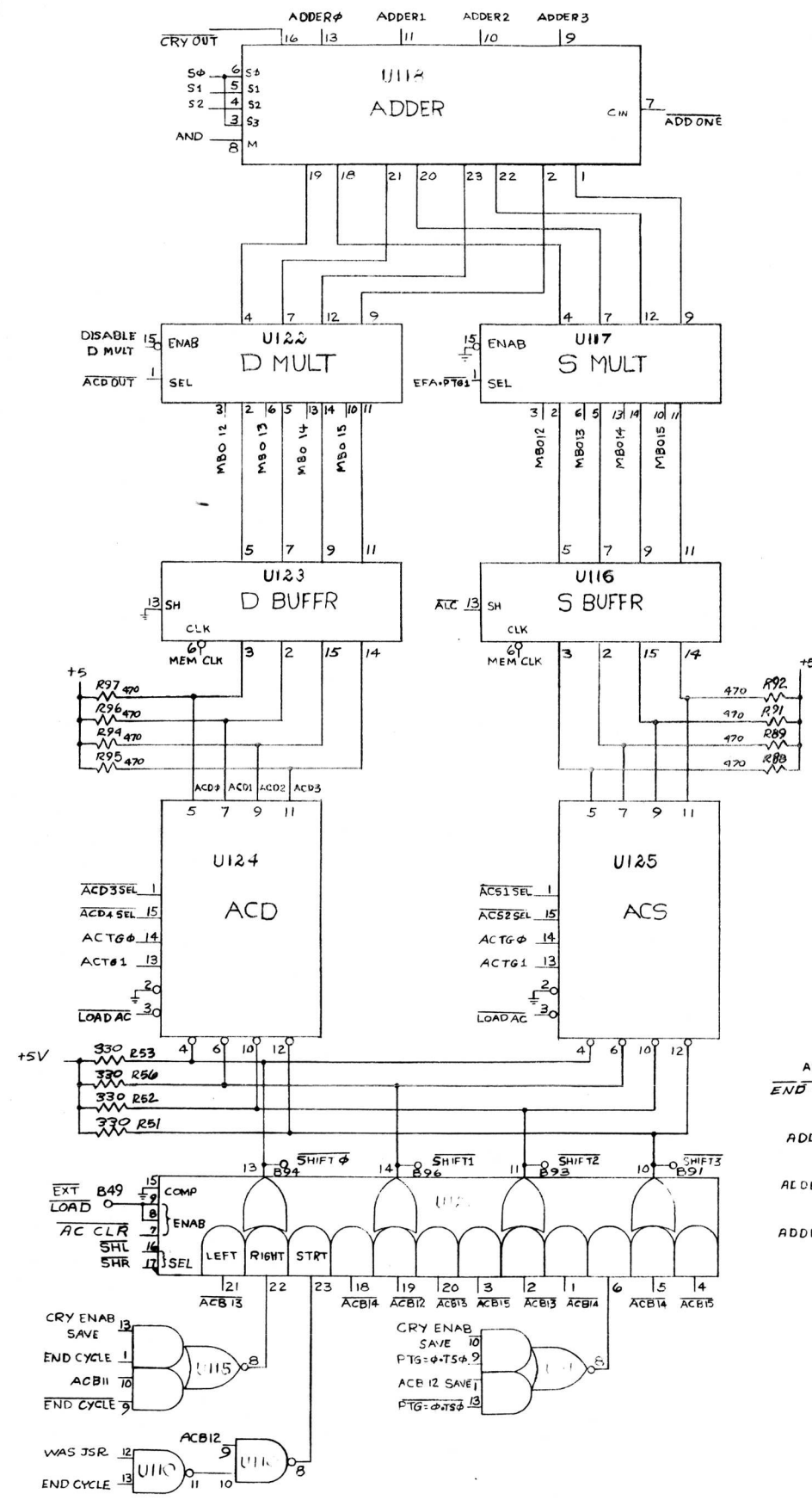
TYPICAL: 0.5 CAPACITORS  
 C2, C3, C17, C18, C28, C29, C40, C41, C49, C50, C64, C65, C66 AND C73 (14 REQ)

TYPICAL: .05 CAPACITORS  
 C4 - C13, C19 - C27, C30 - C39, C42 - C48, C51 - C63, C67 - C72, (55 REQ)

| QTY | DESCRIPTION   | PART NO |
|-----|---|---------|
|     | UNLESS OTHERWISE SPECIFIED—DIMENSIONS ARE IN INCHES TOLERANCES ON FRACTIONS DECIMALS ANGLES |         |
|     | ± .010 ± .005 ± .002  |         |
|     | ± .015 ± .008 ± .004  |         |
|     | ± .020 ± .010 ± .005  |         |
|     | ± .030 ± .015 ± .008  |         |
|     | ± .040 ± .020 ± .010  |         |
|     | ± .050 ± .025 ± .012  |         |
|     | ± .060 ± .030 ± .015  |         |
|     | ± .070 ± .035 ± .018  |         |
|     | ± .080 ± .040 ± .020  |         |
|     | ± .090 ± .045 ± .022  |         |
|     | ± .100 ± .050 ± .025  |         |
|     | ± .120 ± .060 ± .030  |         |
|     | ± .150 ± .075 ± .038  |         |
|     | ± .200 ± .100 ± .050  |         |
|     | ± .250 ± .125 ± .063  |         |
|     | ± .300 ± .150 ± .075  |         |
|     | ± .400 ± .200 ± .100  |         |
|     | ± .500 ± .250 ± .125  |         |
|     | ± .600 ± .300 ± .150  |         |
|     | ± .800 ± .400 ± .200  |         |
|     | ± 1.000 ± .500 ± .250   |         |
|     | ± 1.500 ± .750 ± .375   |         |
|     | ± 2.000 ± 1.000 ± .500  |         |
|     | ± 3.000 ± 1.500 ± .750  |         |
|     | ± 4.000 ± 2.000 ± 1.000   |         |
|     | ± 6.000 ± 3.000 ± 1.500   |         |
|     | ± 8.000 ± 4.000 ± 2.000   |         |
|     | ± 10.000 ± 5.000 ± 2.500  |         |
|     | ± 15.000 ± 7.500 ± 3.750  |         |
|     | ± 20.000 ± 10.000 ± 5.000   |         |
|     | ± 30.000 ± 15.000 ± 7.500   |         |
|     | ± 40.000 ± 20.000 ± 10.000  |         |
|     | ± 50.000 ± 25.000 ± 12.500  |         |
|     | ± 60.000 ± 30.000 ± 15.000  |         |
|     | ± 70.000 ± 35.000 ± 17.500  |         |
|     | ± 80.000 ± 40.000 ± 20.000  |         |
|     | ± 90.000 ± 45.000 ± 22.500  |         |
|     | ± 100.000 ± 50.000 ± 25.000   |         |
|     | ± 150.000 ± 75.000 ± 37.500   |         |
|     | ± 200.000 ± 100.000 ± 50.000  |         |
|     | ± 300.000 ± 150.000 ± 75.000  |         |
|     | ± 400.000 ± 200.000 ± 100.000   |         |
|     | ± 500.000 ± 250.000 ± 125.000   |         |
|     | ± 600.000 ± 300.000 ± 150.000   |         |
|     | ± 800.000 ± 400.000 ± 200.000   |         |
|     | ± 1000.000 ± 500.000 ± 250.000  |         |
|     | ± 1500.000 ± 750.000 ± 375.000  |         |
|     | ± 2000.000 ± 1000.000 ± 500.000   |         |
|     | ± 3000.000 ± 1500.000 ± 750.000   |         |
|     | ± 4000.000 ± 2000.000 ± 1000.000  |         |
|     | ± 5000.000 ± 2500.000 ± 1250.000  |         |
|     | ± 6000.000 ± 3000.000 ± 1500.000  |         |
|     | ± 8000.000 ± 4000.000 ± 2000.000  |         |
|     | ± 10000.000 ± 5000.000 ± 2500.000   |         |
|     | ± 15000.000 ± 7500.000 ± 3750.000   |         |
|     | ± 20000.000 ± 10000.000 ± 5000.000  |         |
|     | ± 30000.000 ± 15000.000 ± 7500.000  |         |
|     | ± 40000.000 ± 20000.000 ± 10000.000   |         |
|     | ± 50000.000 ± 25000.000 ± 12500.000   |         |
|     | ± 60000.000 ± 30000.000 ± 15000.000   |         |
|     | ± 80000.000 ± 40000.000 ± 20000.000   |         |
|     | ± 100000.000 ± 50000.000 ± 25000.000  |         |
|     | ± 150000.000 ± 75000.000 ± 37500.000  |         |
|     | ± 200000.000 ± 100000.000 ± 50000.000   |         |
|     | ± 300000.000 ± 150000.000 ± 75000.000   |         |
|     | ± 400000.000 ± 200000.000 ± 100000.000  |         |
|     | ± 500000.000 ± 250000.000 ± 125000.000  |         |
|     | ± 600000.000 ± 300000.000 ± 150000.000  |         |
|     | ± 800000.000 ± 400000.000 ± 200000.000  |         |
|     | ± 1000000.000 ± 500000.000 ± 250000.000   |         |
|     | ± 1500000.000 ± 750000.000 ± 375000.000   |         |
|     | ± 2000000.000 ± 1000000.000 ± 500000.000  |         |
|     | ± 3000000.000 ± 1500000.000 ± 750000.000  |         |
|     | ± 4000000.000 ± 2000000.000 ± 1000000.000   |         |
|     | ± 5000000.000 ± 2500000.000 ± 1250000.000   |         |
|     | ± 6000000.000 ± 3000000.000 ± 1500000.000   |         |
|     | ± 8000000.000 ± 4000000.000 ± 2000000.000   |         |
|     | ± 10000000.000 ± 5000000.000 ± 2500000.000  |         |
|     | ± 15000000.000 ± 7500000.000 ± 3750000.000  |         |
|     | ± 20000000.000 ± 10000000.000 ± 5000000.000   |         |
|     | ± 30000000.000 ± 15000000.000 ± 7500000.000   |         |
|     | ± 40000000.000 ± 20000000.000 ± 10000000.000  |         |
|     | ± 50000000.000 ± 25000000.000 ± 12500000.000  |         |
|     | ± 60000000.000 ± 30000000.000 ± 15000000.000  |         |
|     | ± 80000000.000 ± 40000000.000 ± 20000000.000  |         |
|     | ± 100000000.000 ± 50000000.000 ± 25000000.000   |         |
|     | ± 150000000.000 ± 75000000.000 ± 37500000.000   |         |
|     | ± 200000000.000 ± 100000000.000 ± 50000000.000  |         |
|     | ± 300000000.000 ± 150000000.000 ± 75000000.000  |         |
|     | ± 400000000.000 ± 200000000.000 ± 100000000.000   |         |
|     | ± 500000000.000 ± 250000000.000 ± 125000000.000   |         |
|     | ± 600000000.000 ± 300000000.000 ± 150000000.000   |         |
|     | ± 800000000.000 ± 400000000.000 ± 200000000.000   |         |
|     | ± 1000000000.000 ± 500000000.000 ± 250000000.000  |         |
|     | ± 1500000000.000 ± 750000000.000 ± 375000000.000  |         |
|     | ± 2000000000.000 ± 1000000000.000 ± 500000000.000   |         |
|     | ± 3000000000.000 ± 1500000000.000 ± 750000000.000   |         |
|     | ± 4000000000.000 ± 2000000000.000 ± 1000000000.000  |         |
|     | ± 5000000000.000 ± 2500000000.000 ± 1250000000.000  |         |
|     | ± 6000000000.000 ± 3000000000.000 ± 1500000000.000  |         |
|     | ± 8000000000.000 ± 4000000000.000 ± 2000000000.000  |         |
|     | ± 10000000000.000 ± 5000000000.000 ± 2500000000.000   |         |
|     | ± 15000000000.000 ± 7500000000.000 ± 3750000000.000   |         |
|     | ± 20000000000.000 ± 10000000000.000 ± 5000000000.000  |         |
|     | ± 30000000000.000 ± 15000000000.000 ± 7500000000.000  |         |
|     | ± 40000000000.000 ± 20000000000.000 ± 10000000000.000                                       |         |
|     | ± 50000000000.000 ± 25000000000.000 ± 12500000000.000                                       |         |
|     | ± 60000000000.000 ± 30000000000.000 ± 15000000000.000                                       |         |
|     | ± 80000000000.000 ± 40000000000.000 ± 20000000000.000                                       |         |
|     | ± 100000000000.000 ± 50000000000.000 ± 25000000000.000                                      |         |
|     | ± 150000000000.000 ± 75000000000.000 ± 37500000000.000                                      |         |
|     | ± 200000000000.000 ± 100000000000.000 ± 50000000000.000                                     |         |
|     | ± 300000000000.000 ± 150000000000.000 ± 75000000000.000                                     |         |
|     | ± 400000000000.000 ± 200000000000.000 ± 100000000000.000                                    |         |
|     | ± 500000000000.000 ± 250000000000.000 ± 125000000000.000                                    |         |
|     | ± 600000000000.000 ± 300000000000.000 ± 150000000000.000                                    |         |
|     | ± 800000000000.000 ± 400000000000.000 ± 200000000000.000                                    |         |
|     | ± 1000000000000.000 ± 500000000000.000 ± 250000000000.000                                   |         |
|     | ± 1500000000000.000 ± 750000000000.000 ± 375000000000.000                                   |         |
|     | ± 2000000000000.000 ± 1000000000000.000 ± 500000000000.000                                  |         |
|     | ± 3000000000000.000 ± 1500000000000.000 ± 750000000000.000                                  |         |
|     | ± 4000000000000.000 ± 2000000000000.000 ± 1000000000000.000                                 |         |
|     | ± 5000000000000.000 ± 2500000000000.000 ± 1250000000000.000                                 |         |
|     | ± 6000000000000.000 ± 3000000000000.000 ± 1500000000000.000                                 |         |
|     | ± 8000000000000.000 ± 4000000000000.000 ± 2000000000000.000                                 |         |
|     | ± 10000000000000.000 ± 5000000000000.000 ± 2500000000000.000                                |         |
|     | ± 15000000000000.000 ± 7500000000000.000 ± 3750000000000.000                                |         |
|     | ± 20000000000000.000 ± 10000000000000.000 ± 5000000000000.000                               |         |
|     | ± 30000000000000.000 ± 15000000000000.000 ± 7500000000000.000                               |         |
|     | ± 40000000000000.000 ± 20000000000000.000 ± 10000000000000.000                              |         |
|     | ± 50000000000000.000 ± 25000000000000.000 ± 12500000000000.000                              |         |
|     | ± 60000000000000.000 ± 30000000000000.000 ± 15000000000000.000                              |         |
|     | ± 80000000000000.000 ± 40000000000000.000 ± 20000000000000.000                              |         |
|     | ± 100000000000000.000 ± 50000000000000.000 ± 25000000000000.000                             |         |
|     | ± 150000000000000.000 ± 75000000000000.000 ± 37500000000000.000                             |         |
|     | ± 200000000000000.000 ± 100000000000000.000 ± 50000000000000.000                            |         |
|     | ± 300000000000000.000 ± 150000000000000.000 ± 75000000000000.000                            |         |
|     | ± 400000000000000.000 ± 200000000000000.000 ± 100000000000000.000                           |         |
|     | ± 500000000000000.000 ± 250000000000000.000 ± 125000000000000.000                           |         |
|     | ± 600000000000000.000 ± 300000000000000.000 ± 150000000000000.000                           |         |
|     | ± 800000000000000.000 ± 400000000000000.000 ± 200000000000000.000                           |         |
|     | ± 1000000000000000.000 ± 500000000000000.000 ± 250000000000000.000                          |         |
|     | ± 1500000000000000.000 ± 750000000000000.000 ± 375000000000000.000                          |         |
|     | ± 2000000000000000.000 ± 1000000000000000.000 ± 500000000000000.000                         |         |
|     | ± 3000000000000000.000 ± 1500000000000000.000 ± 750000000000000.000                         |         |
|     | ± 4000000000000000.000 ± 2000000000000000.000 ± 1000000000000000.000                        |         |
|     | ± 5000000000000000.000 ± 2500000000000000.000 ± 1250000000000000.000                        |         |
|     | ± 6000000000000000.000 ± 3000000000000000.000 ± 1500000000000000.000                        |         |
|     | ± 8000000000000000.000 ± 4000000000000000.000 ± 2000000000000000.000                        |         |
|     | ± 10000000000000000.000 ± 5000000000000000.000 ± 2500000000000000.000                       |         |
|     | ± 15000000000000000.000 ± 7500000000000000.000 ± 3750000000000000.000                       |         |
|     | ± 20000000000000000.000 ± 10000000000000000.000 ± 5000000000000000.000                      |         |
|     | ± 30000000000000000.000 ± 15000000000000000.000 ± 7500000000000000.000                      |         |
|     | ± 40000000000000000.000 ± 20000000000000000.000 ± 10000000000000000.000                     |         |
|     | ± 50000000000000000.000 ± 25000000000000000.000 ± 12500000000000000.000                     |         |
|     | ± 60000000000000000.000 ± 30000000000000000.000 ± 15000000000000000.000                     |         |
|     | ± 80000000000000000.000 ± 40000000000000000.000 ± 20000000000000000.000                     |         |
|     | ± 100000000000000000.000 ± 50000000000000000.000 ± 25000000000000000.000                    |         |
|     | ± 150000000000000000.000 ± 75000000000000000.000 ± 37500000000000000.000                    |         |
|     | ± 200000000000000000.000 ± 100000000000000000.000 ± 50000000000000000.000                   |         |
|     | ± 300000000000000000.000 ± 150000000000000000.000 ± 75000000000000000.000                   |         |
|     | ± 400000000000000000.000 ± 200000000000000000.000 ± 100000000000000000.000                  |         |
|     | ± 500000000000000000.000 ± 250000000000000000.000 ± 125000000000000000.000                  |         |
|     | ± 600000000000000000.000 ± 300000000000000000.000 ± 150000000000000000.000                  |         |
|     | ± 800000000000000000.000 ± 400000000000000000.000 ± 200000000000000000.000                  |         |
|     | ± 1000000000000000000.000 ± 500000000000000000.000 ± 250000000000000000.000                 |         |
|     | ± 1500000000000000000.000 ± 750000000000000000.000 ± 375000000000000000.000                 |         |
|     | ± 2000000000000000000.000 ± 1000000000000000000.000 ± 500000000000000000.000                |         |
|     | ± 3000000000000000000.000 ± 1500000000000000000.000 ± 750000000000000000.000                |         |
|     | ± 4000000000000000000.000 ± 20  |         |

THIS DRAWING AND SPECIFICATIONS HEREIN ARE THE PROPERTY OF DATA GENERAL CORPORATION AND SHALL NOT BE REPRODUCED OR COPIED IN WHOLE OR IN PART AS THE BASIS FOR MANUFACTURE OR SALE OF ITEMS WITHOUT WRITTEN PERMISSION.

| REVISIONS |                               |       |        |          |
|-----------|-------------------------------|-------|--------|----------|
| REV       | DESCRIPTION                   | DRFTG | APP BY | DATE     |
| 01        | REVISED PER MKD PRINT         | RHS   |        | 11/17/70 |
| 02        | REV PER ECO 117 SHEET 3       | RHS   |        | 12/4/70  |
| 03        | REV PER ECO 138 SHEET 1       | RHS   |        | 12/27/70 |
| 04        | REV PER ECO 148               | RHS   |        | 1/14/71  |
| 05        | REV PER ECO # 194, 209        | RHS   |        | 2/11/71  |
| 06        | ADD REV. DESIGN PER ECO # 366 | RHS   |        | 2/15/71  |
| 14        | PER ECO # 992                 | RHS   |        | 6/29/72  |



ALL CAPACITORS ARE IN MICROFARADS AND ALL RESISTORS ARE IN OHMS. 1/4 WATT, WITH 5% TOLERANCE UNLESS OTHERWISE SPECIFIED.

| QTY | DESCRIPTION   | PART NO |
|-----|---|---------|
|     | UNLESS OTHERWISE SPECIFIED-- DIMENSIONS ARE IN INCHES TOLERANCES ON FRACTIONS DECIMALS ANGLES |         |
|     | XX #  |         |
|     | XXX #   |         |
|     | PARTS TO BE FREE FROM BURRS BREAK ALL EDGES .010  |         |
|     | UNLESS OTHERWISE SPECIFIED-- ALL MACH SURFACES  |         |
|     | MATERIAL  |         |
|     | FINISH  |         |
|     | DRAWN   |         |
|     | CHECKED   |         |
|     | ENGINEER  |         |
|     | APPROVED  |         |
|     | FIRST USED ON   |         |
|     | 107-000083  |         |
|     | SCALE   |         |
|     | DATA GENERAL CORPORATION  |         |
|     | SOUTHBORO, MASSACHUSETTS 01772  |         |
|     | TITLE   |         |
|     | CPU NOVA 1200   |         |
|     | SIZE  | D 001   |
|     | CODE  | 000088  |
|     | DRAWING NUMBER  | 000088  |
|     | REV   | 20      |