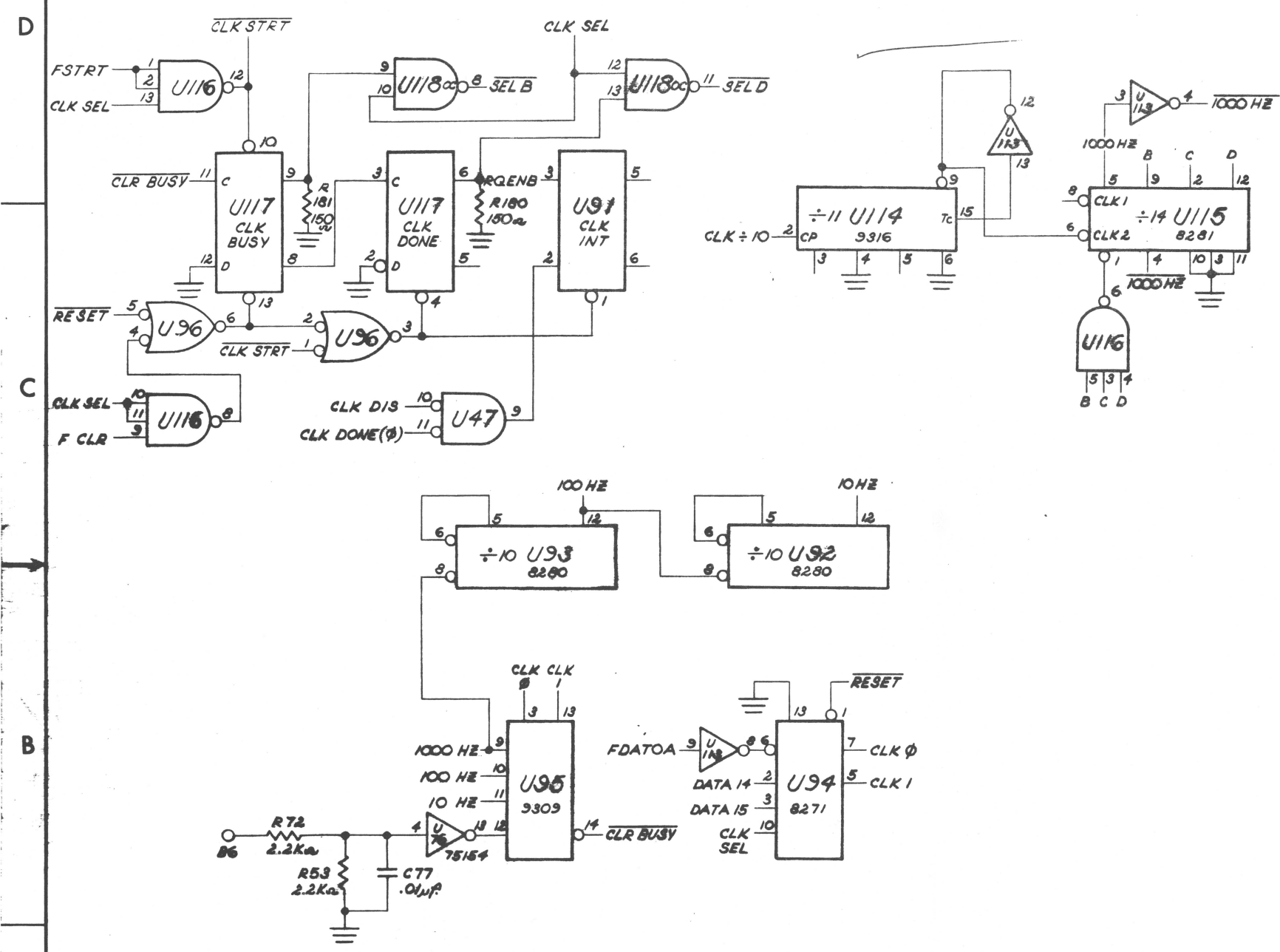


THIS DRAWING AND SPECIFICATIONS, HEREIN, ARE THE PROPERTY OF DATA GENERAL CORPORATION AND SHALL NOT BE REPRODUCED OR COPIED OR USED IN WHOLE OR IN PART AS THE BASIS FOR MANUFACTURE OR SALE OF ITEMS WITHOUT WRITTEN PERMISSION.

REVISIONS				
REV.	DESCRIPTION	DRFTG.	APP. BY	DATE
01	ECO# 1371	R.W.C.		
02	ECO# 1494	R.W.C.		
03	ECO# 1837	R.W.C.		
04	ECO# 2419	R.W.C.		



ARTWORK: 107 000 151		QTY.		DESCRIPTION		PART NO.	
ARTWORK VS SCHEMATIC		DRAWN R.W.C., Jr. 11-13/72		DATA GENERAL CORPORATION			
UNLESS OTHERWISE SPECIFIED—DIMENSIONS ARE IN INCHES		CHECKED R.W.C., Jr. 11-16/72		SOUTHBORO, MASSACHUSETTS 01772			
TOLERANCES ON FRACTIONS DECIMALS ANGLES		ENGINEER <i>H. Holbrook</i> 11/72		TITLE			
± .XX ± .XXX ±		APPROVED		REAL TIME CLOCK OPTION			
PARTS TO BE FREE FROM BURRS BREAK ALL EDGES .010		FIRST USED ON		(MODEL NO. 4079)			
UNLESS OTHERWISE SPECIFIED—ALL MACH. SURFACES		SCALE		SIZE C		CODE 001	
MATERIAL				DRAWING NUMBER		REV. 04	
FINISH				000333			

A

A