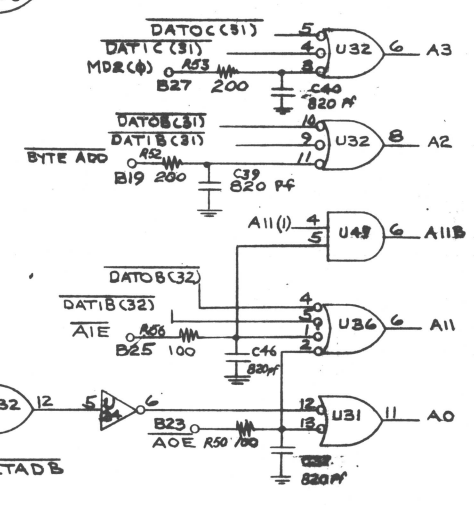
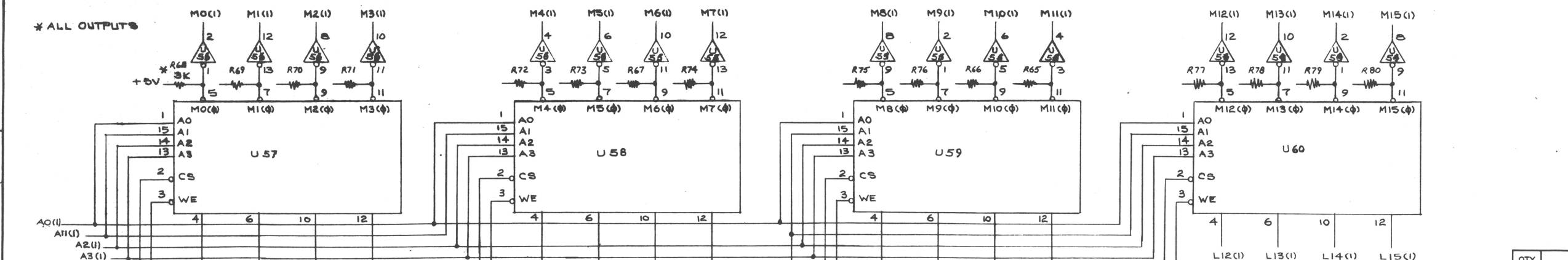
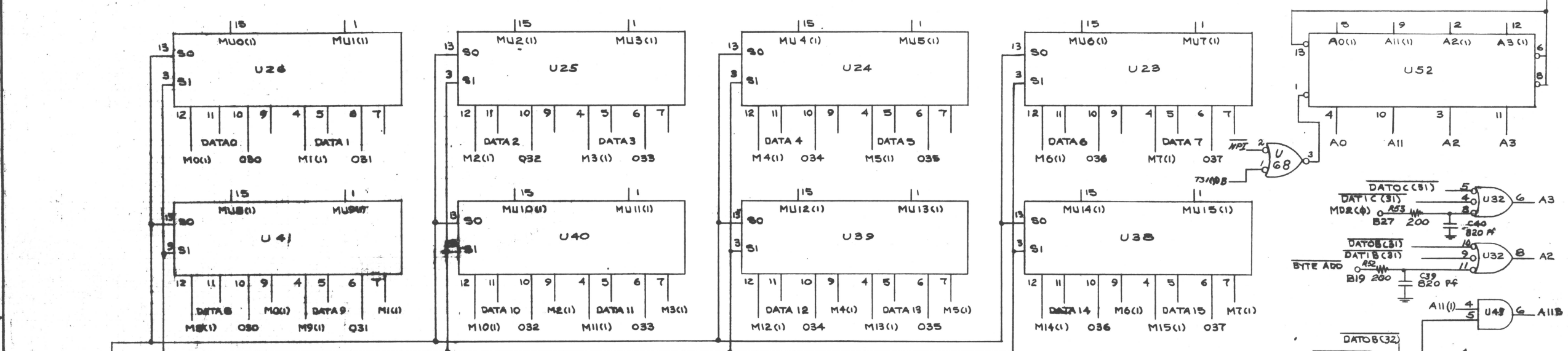
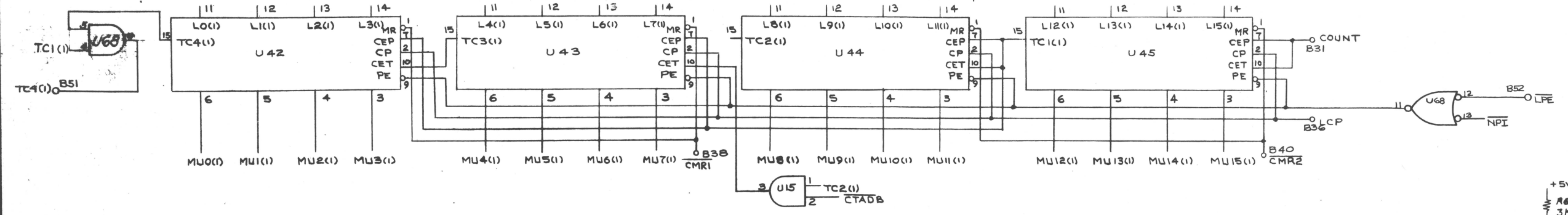


THIS DRAWING AND SPECIFICATIONS, HEREIN, ARE THE PROPERTY OF DATA GENERAL CORPORATION AND SHALL NOT BE REPRODUCED OR COPIED OR USED IN WHOLE OR IN PART AS THE BASIS FOR MANUFACTURE OR SALE OF ITEMS WITHOUT WRITTEN PERMISSION.

REVISIONS			
REV.	DESCRIPTION	DRFTG.	APP. BY DATE
01	ECO# 235	MSP	3-30-78
02	ECO# 314	N.J.P.	4/15/78
03	ECO# 780	W.J.G.	1/18/78
04	ECO# 1011	MSP	5/19/78
05	ECO# 1324	R.W.C.	2-1-78
06	ECO# 2741	G.W.M.	5-2-78
07	ECO# 3799		
08	ECO# 3864	R.S.	11/4/78
09	ECO# 4612	J.K.	7/1/78
10	ECO# 4407	J.K.	9/2/78
11	ECO# 5851	M.L.G.	4-15-77

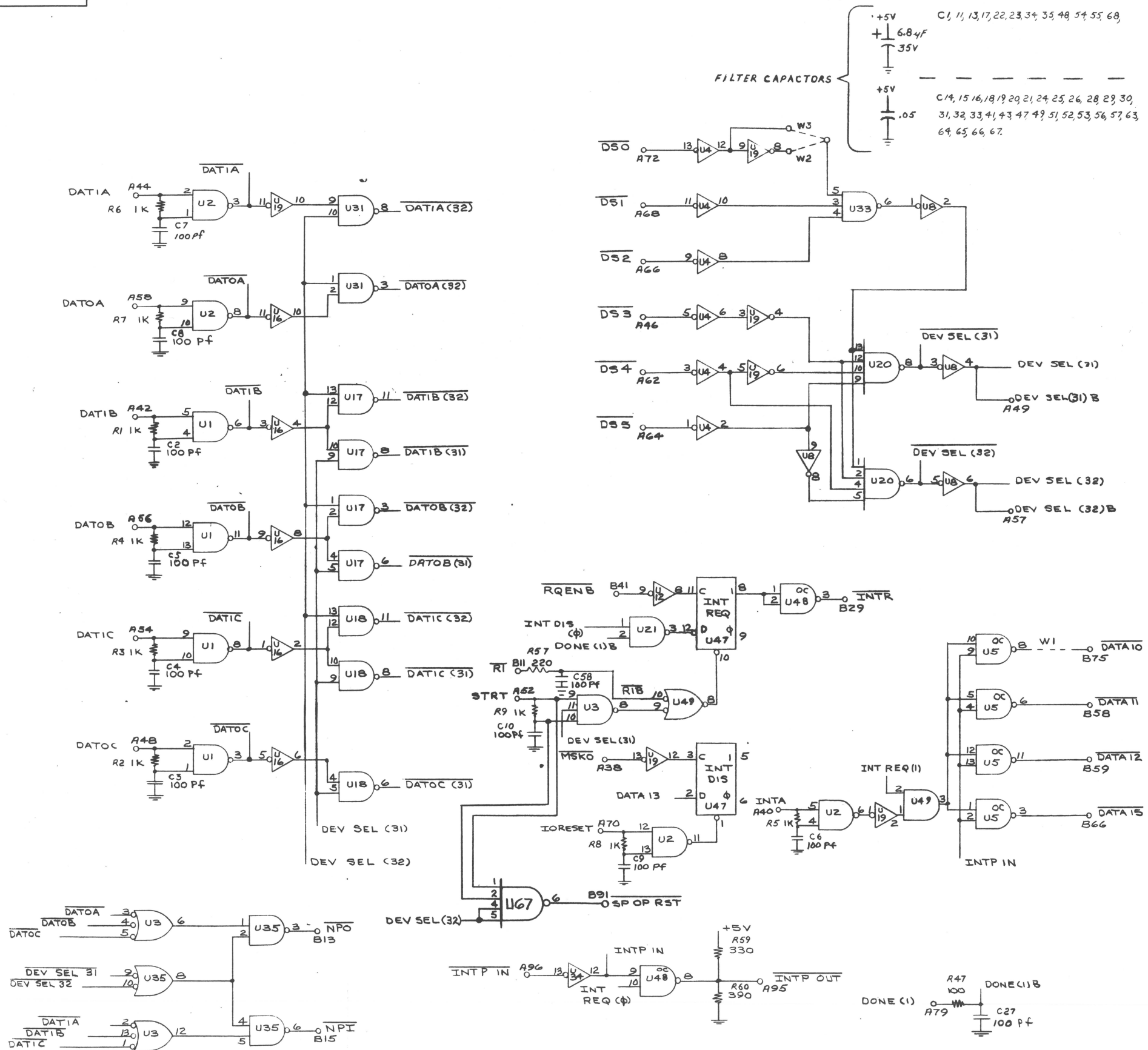


ARTWORK: 107-087			
ARTWORK VS SCHEMATIC			
REV.	SCHEMATIC	REV(S)	
08	08	01	01
09	09,10,11	02	02
		03	03
		04	04
		05	05
		06	06
		07	07,10

UNLESS OTHERWISE SPECIFIED—DIMENSIONS ARE IN INCHES TOLERANCES ON FRACTIONS DECIMALS ANGLES		DRAWN		DATA GENERAL CORPORATION	
± .XX	± .XXX	CHECKED		SOUTHBORO, MASSACHUSETTS 01772	
PARTS TO BE FREE FROM BURRS	BREAK ALL EDGES .010	ENGINEER	J. WASELESKI	TITLE	
		APPROVED		360 INTERFACE: 360-2	
		FIRST USED ON	4025	DATA STORAGE AND	
		MATERIAL	107-000087	CONTROL	
		FINISH		SIZE	CODE
				D	001
				DRAWING NUMBER	REV
				000114	165

THIS DRAWING AND SPECIFICATIONS, HEREIN, A PROPERTY OF DATA GENERAL CORPORATION AND SHALL NOT BE REPRODUCED OR COPIED OR USED IN WHOLE OR IN PART AS THE BASIS FOR MANUFACTURE OR SALE OF ITEMS WITHOUT WRITTEN PERMISSION.

REVISIONS			
REV.	DESCRIPTION	DRFTG.	APP. BY DATE



QTY.	DESCRIPTION	PART NO.

UNLESS OTHERWISE SPECIFIED— DIMENSIONS ARE IN INCHES TOLERANCES ON FRACTIONS DECIMALS ANGLES XXX ± ± XXX ± PARTS TO BE FREE FROM BURRS BREAK ALL EDGES .010	DRAWN	DATA GENERAL CORPORATION SOUTHBORO, MASSACHUSETTS 01772
	CHECKED	
UNLESS OTHERWISE SPECIFIED— ALL MACH. SURFACES	ENGINEER	TITLE 360 INTERFACE: 360-2 DEVICE SELECT AND INTERRUPT CONTROL
	APPROVED	
MATERIAL	FIRST USED ON	DRAWING NUMBER
	107-000087	
FINISH	SCALE	REV
		119