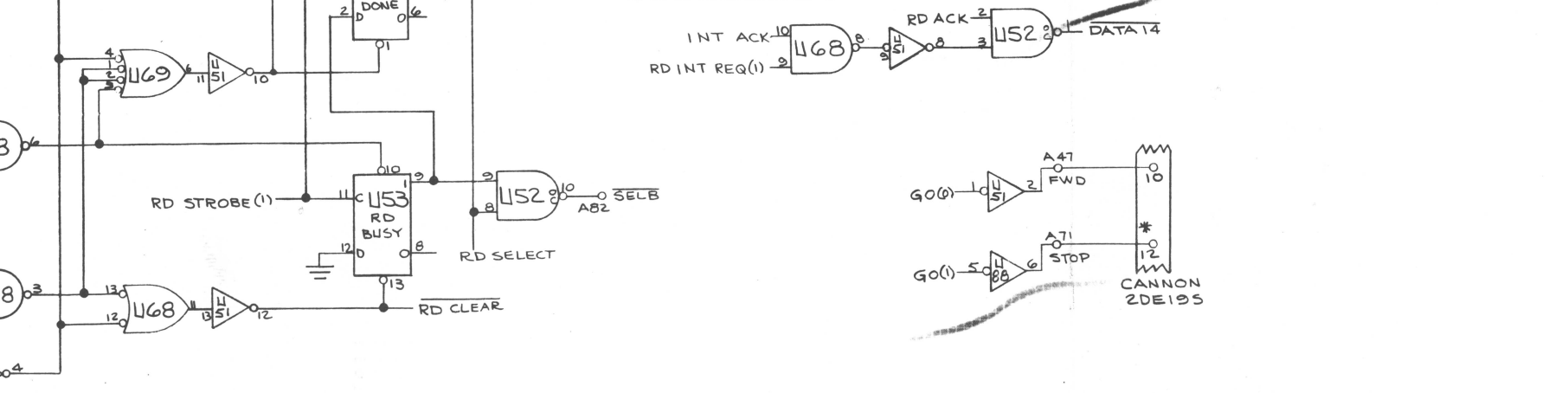
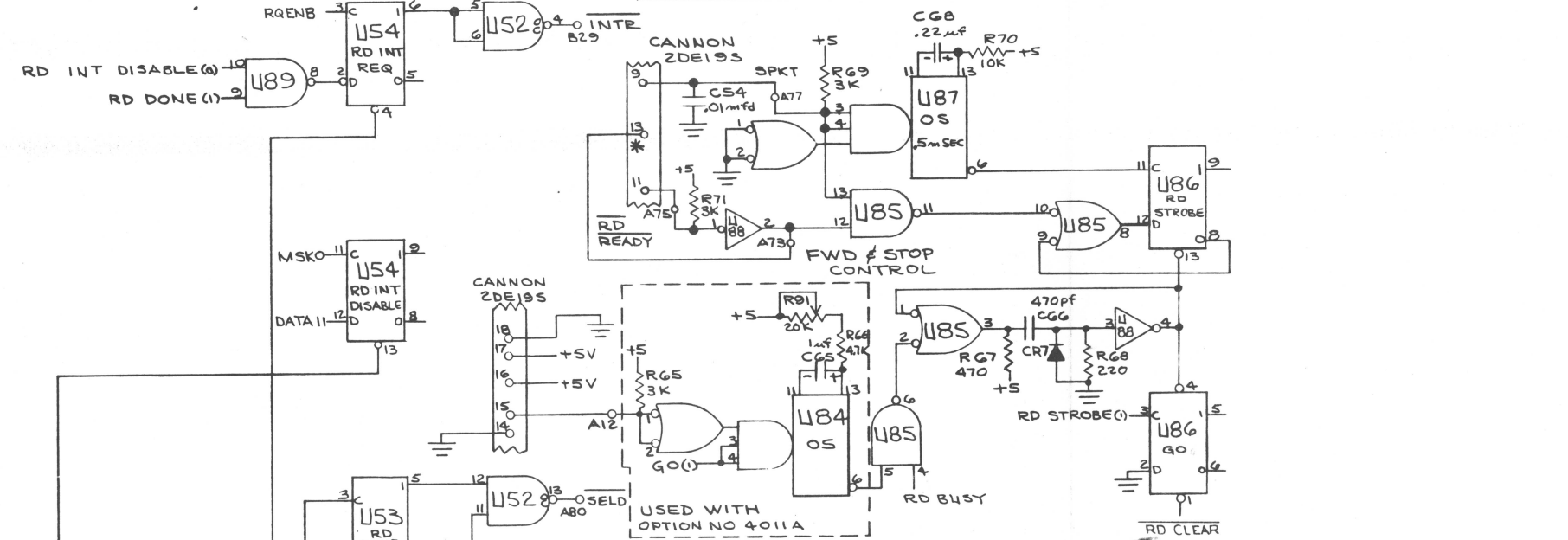
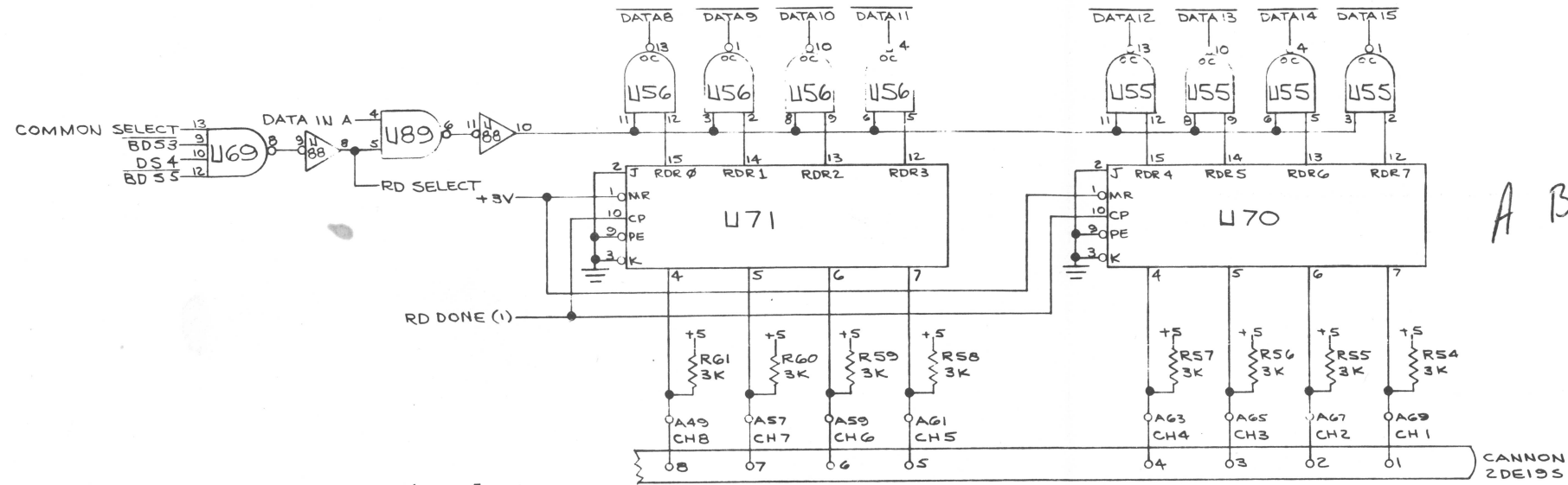


THIS DRAWING AND SPECIFICATIONS HEREIN ARE THE PROPERTY OF DATA GENERAL CORPORATION AND SHALL NOT BE REPRODUCED OR COPIED OR USED IN WHOLE OR IN PART AS THE BASIS FOR MANUFACTURE OR SALE OF ITEMS WITHOUT WRITTEN PERMISSION.

REVISIONS			
REV	DESCRIPTION	DRFTG	APP BY DATE
05	ECO # 2465	R.W.C.	J.P.W. 4-12-74
HELPAIN NO CHANGE			



- NOTES:
- C28, 42, 52, 53, 64, 67, 69 ARE .05 MFD FILTERS AND AS SUCH ARE NOT SHOWN ON THIS DRAWING.
  - C41 AND C51 ARE 6.8 uf, 35V FILTERS AND AS SUCH ARE NOT SHOWN ON THIS DRAWING.
- \*USED WITH OPTION NO. 4011B

QTY	DESCRIPTION	PART NO
UNLESS OTHERWISE SPECIFIED USE D.G.C. SPECIFICATION 108-000028 FOR TOLERANCES AND WORKMANSHIP REQUIREMENTS	DRAWN R. Schaefer 6-20-75	<b>DATA GENERAL CORPORATION</b> SOUTHBORO, MASSACHUSETTS 01772
	CHECKED J. Schaefer 6-20-75	
	ENGINEER	TITLE
	APPROVED	<b>PAPER TAPE READER CONTROL 4011</b>
MATERIAL	FIRST USED ON 4011	SIZE CODE
FINISH	SCALE	DRAWING NUMBER 001 000 072
		REV 05