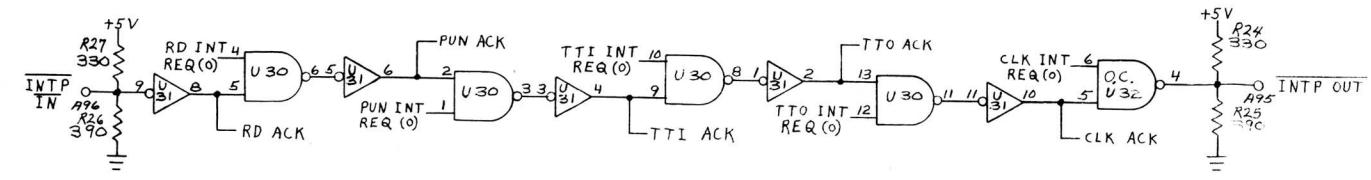
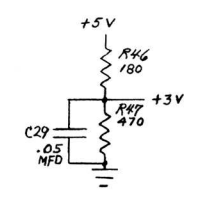
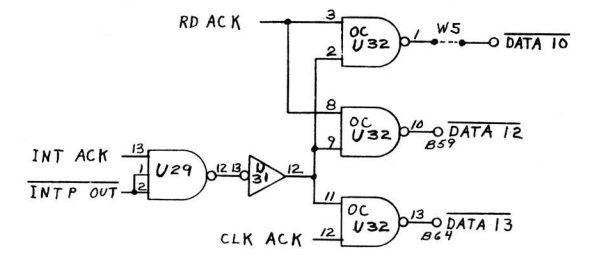
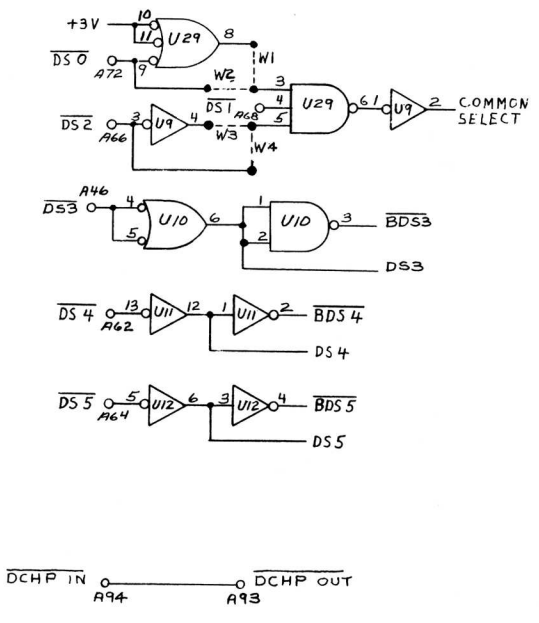
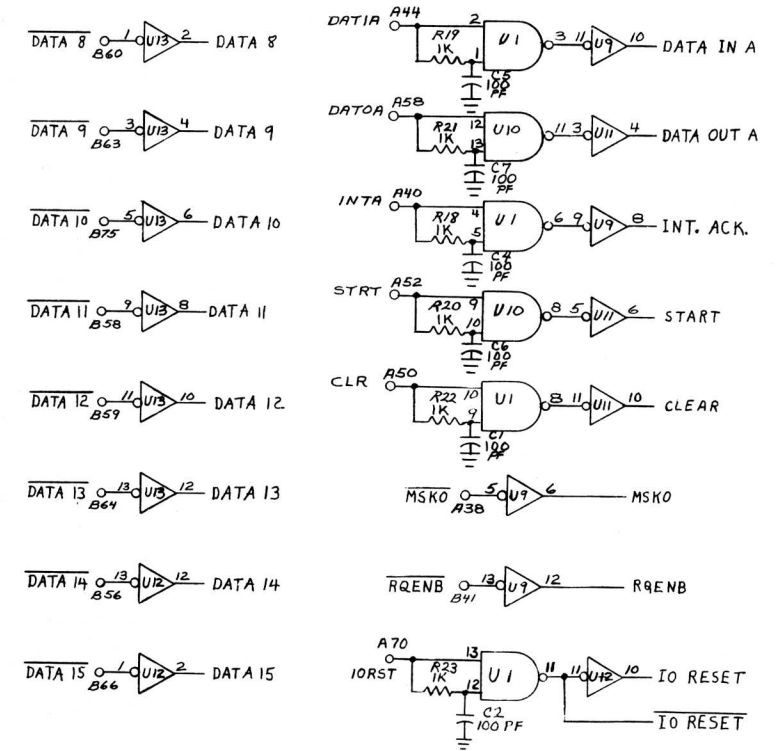


THIS DRAWING AND SPECIFICATIONS HEREIN ARE THE PROPERTY OF DATA GENERAL CORPORATION AND SHALL NOT BE REPRODUCED OR COPIED OR USED IN WHOLE OR IN PART AS THE BASIS FOR MANUFACTURE OR SALE OF ITEMS WITHOUT WRITTEN PERMISSION.

REVISIONS			
REV.	DESCRIPTION	DRFTG.	APP. BY DATE

D
C
B
A



NOTE: CAPACITORS C1, C5, C27, C30 ARE .05 MFD. CAPACITORS C13, C26 ARE 6.8 MFD. THESE CAPACITORS ARE USED AS FILTERS AND AS SUCH ARE NOT SHOWN ON THIS DRAWING

QTY.		DESCRIPTION		PART NO.	
		DATA GENERAL CORPORATION			
		TITLE			
		IO BUS RECEIVERS & COMMON SELECT			
		DRAWN			
		CHECKED			
		ENGINEER			
		APPROVED			
		FIRST USED ON			
		MATERIAL			
		FINISH			
		SIZE	CODE	DRAWING NUMBER	REV.
D	001	000070	01		