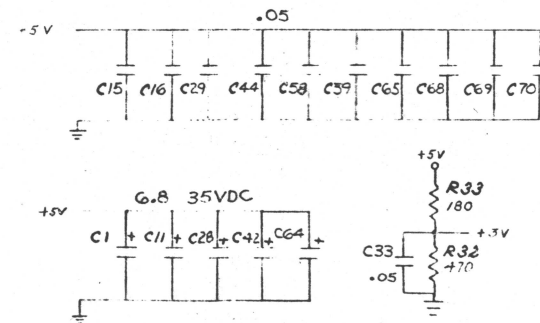
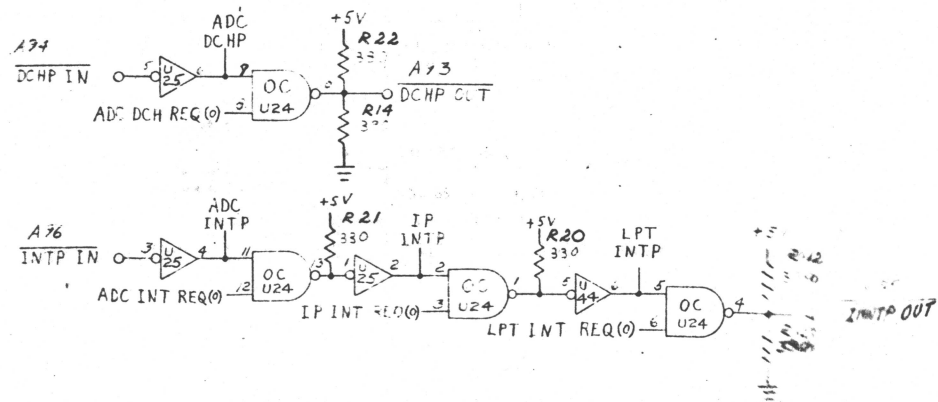
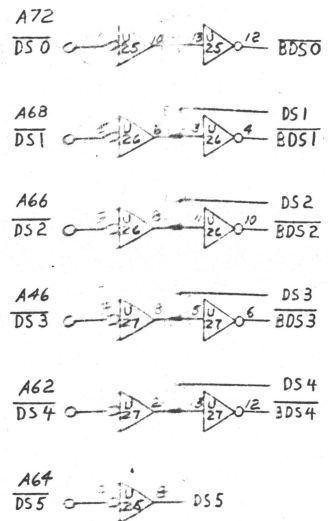
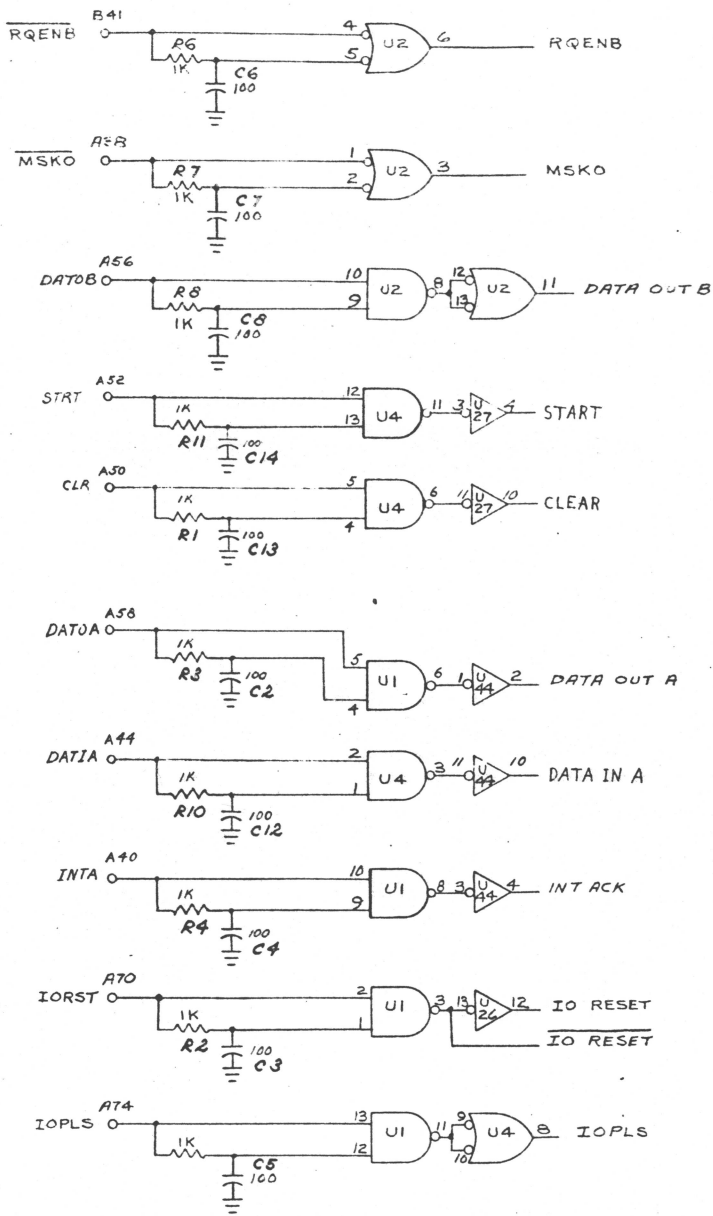
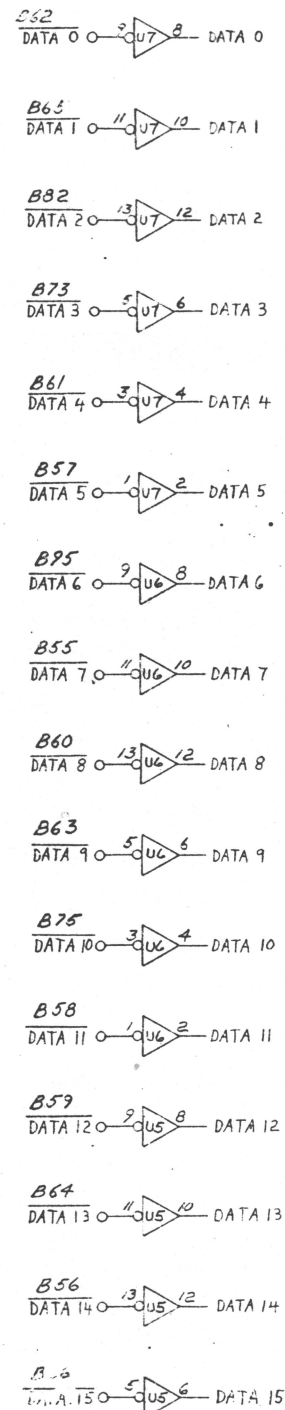


THIS DRAWING AND SPECIFICATIONS HEREIN ARE THE PROPERTY OF DATA GENERAL CORPORATION AND SHALL NOT BE REPRODUCED OR COPIED OR USED IN WHOLE OR IN PART AS THE BASIS FOR MANUFACTURE OR SALE OF ITEMS WITHOUT WRITTEN PERMISSION.

REVISIONS				
REV	DESCRIPTION	DRFTG	APP BY	DATE
04	ECO #2423	RFJ		6/3/74



NHCC		QTY	DESCRIPTION	PART NO.
DRAWN				
CHECKED				
ENGINEER				
APPROVED				
FIRST USED ON				
MATERIAL				
FINISH				

DATA GENERAL CORPORATION			
TITLE			
COMMON IO			
SIZE	CODE	DRAWING NUMBER	REV
D	001	000041	04