

REVISION HISTORY

REV	ECO	DESCRIPTION	DRFT	DATE	CHKD	APP
A		RELEASED	CJK	9-87		
B	1023	SHTS 4,16	CJK	12-87	(initials)	
C	1041	SHT 17,18	CJK	1-88	(initials)	
D	1081	SHT 7,10	gaw	3-88		

S C Z - Z

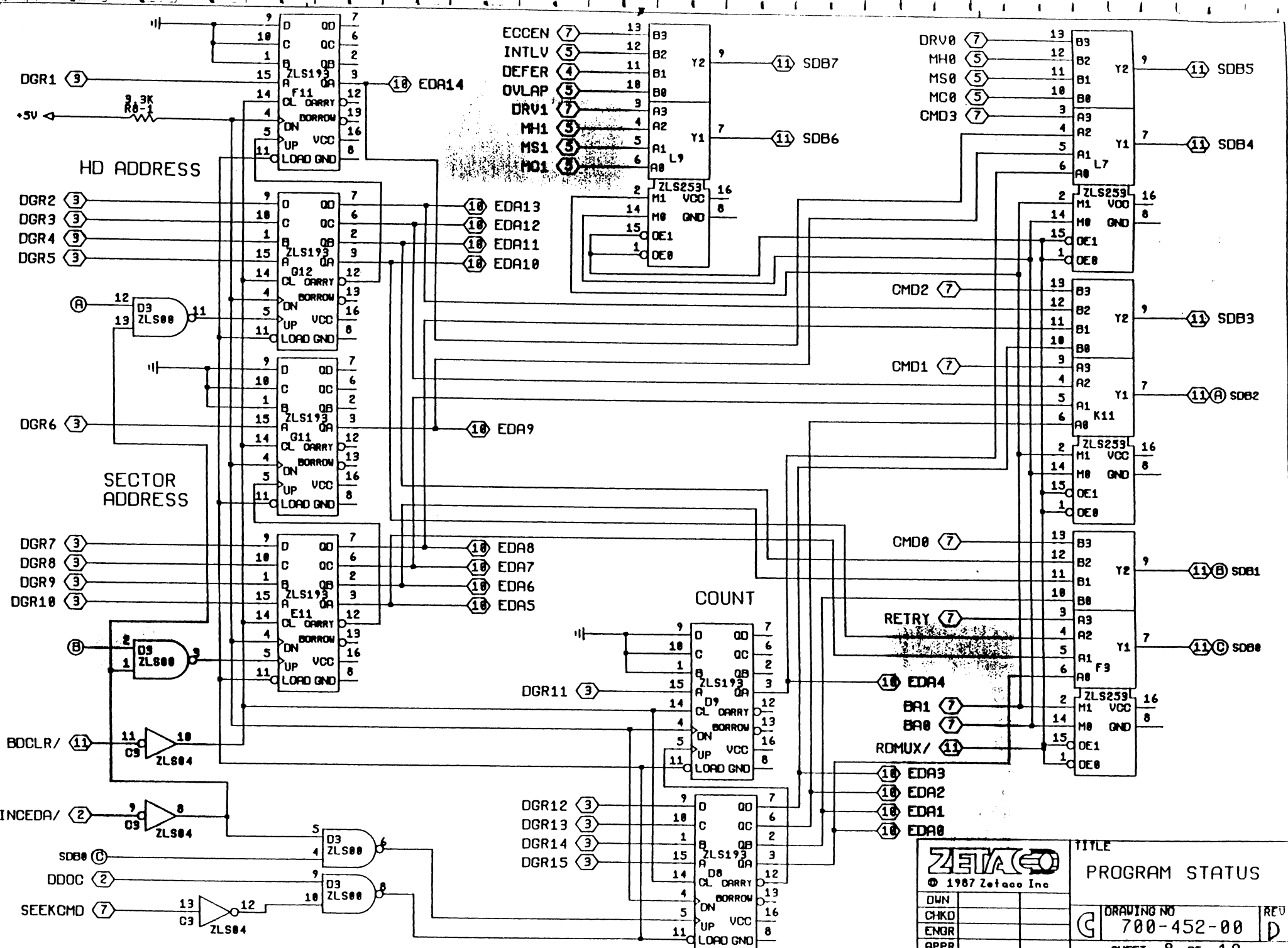
SCZ-Z
SCZ-Z
SCZ-Z

SPARE GATES

- LS00 K14 11,12,13
- L13 11,12,13
- LS02 H4 11,12,13
- LS08 A1 11,12,13
- LS10 D2 8,9,10,11
- G9 8,9,10,11
- LS11 F5 8,9,10,11,12,13,1,2
- 14 G6 12,13
- LS32 D7 11,12,13
- K10 11,12,13
- F2 11,12,13
- 26S02 C1 9,10,11,12,13,14,15

ZETACORP
© 1987 Zetaco Inc.

DWN	_____
CHKD	_____
ENGR	_____
APPR	_____



TITLE

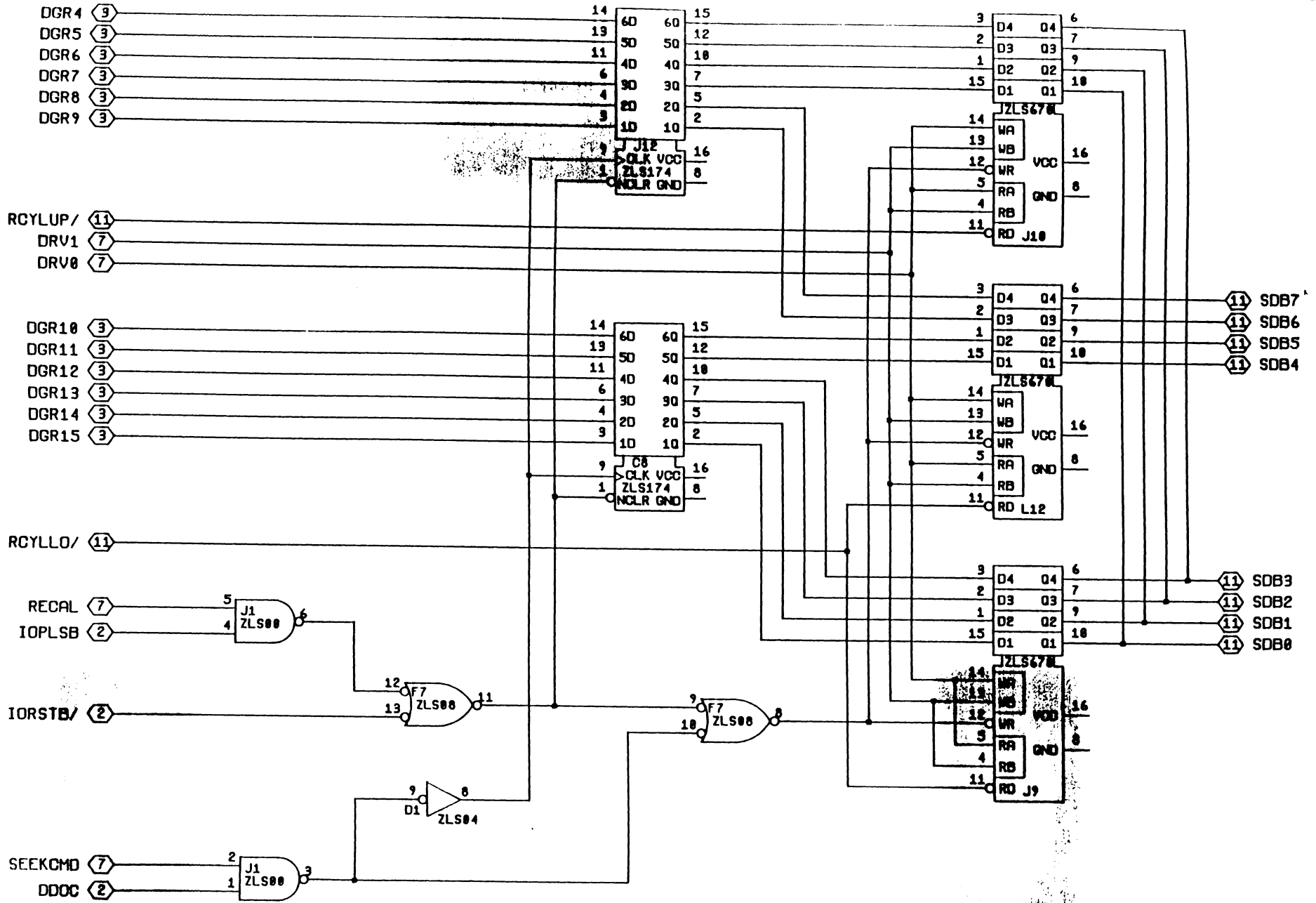
ZETA

© 1987 Zetaco Inc

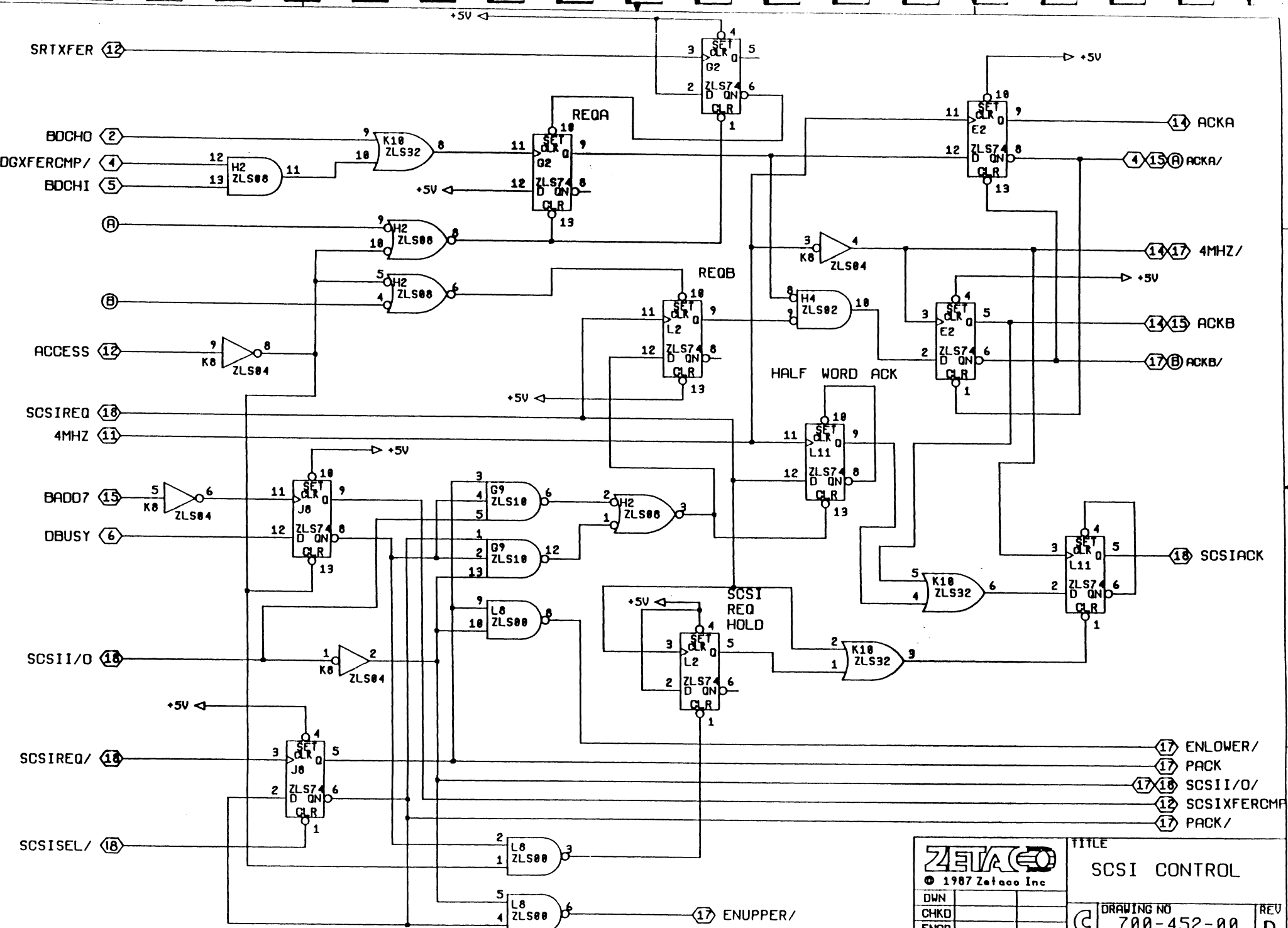
PROGRAM STATUS

DWN			
CHKD			
ENGR			
APPR			

	DRAWING NO	REV
C	700-452-00	D
SHEET 8 OF 19		



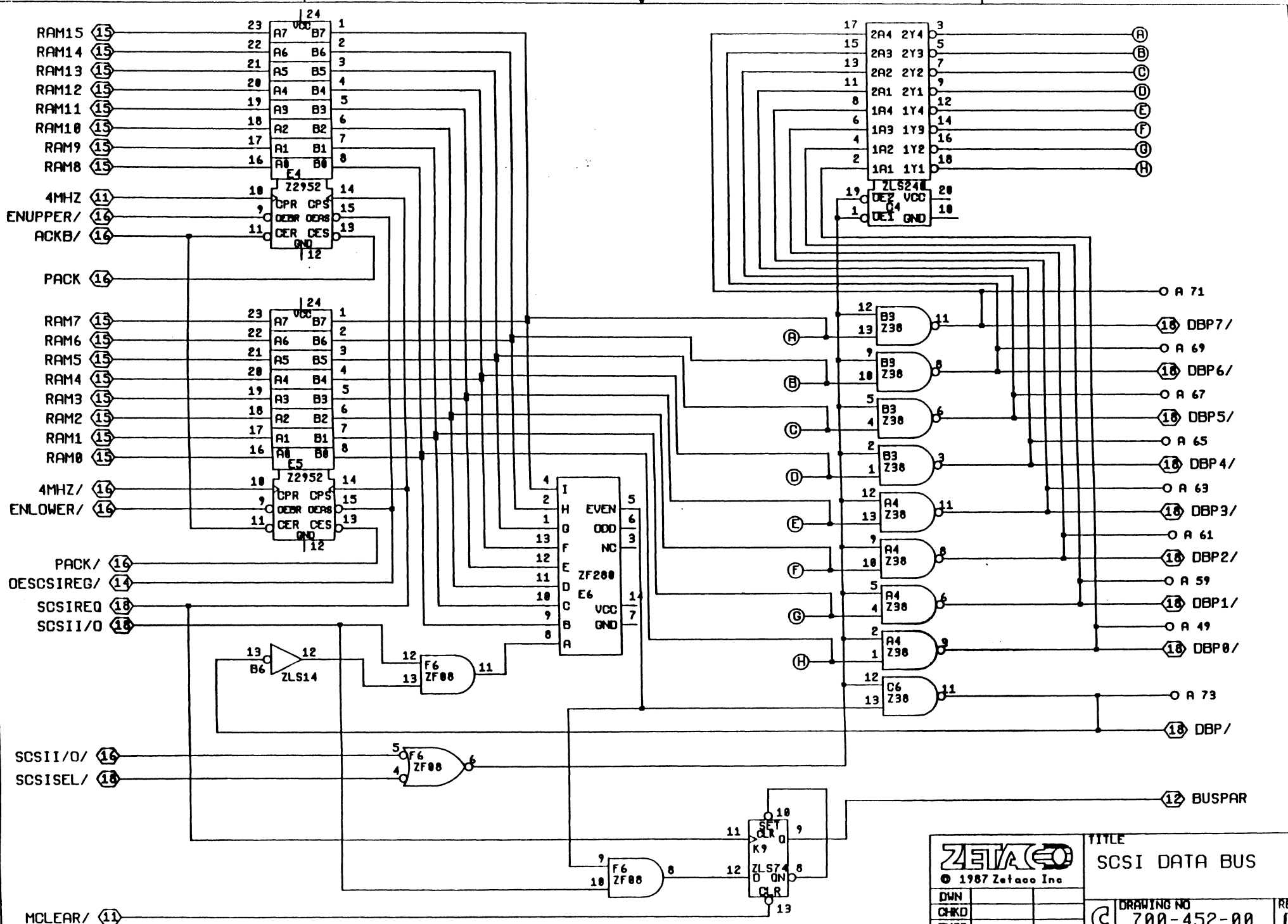
		TITLE	
		UNIT CYLINDER ADR	
© 1987 Zetaco Inc		DRAWING NO	REV
		G 700-452-00	D
		SHEET 9 OF 19	



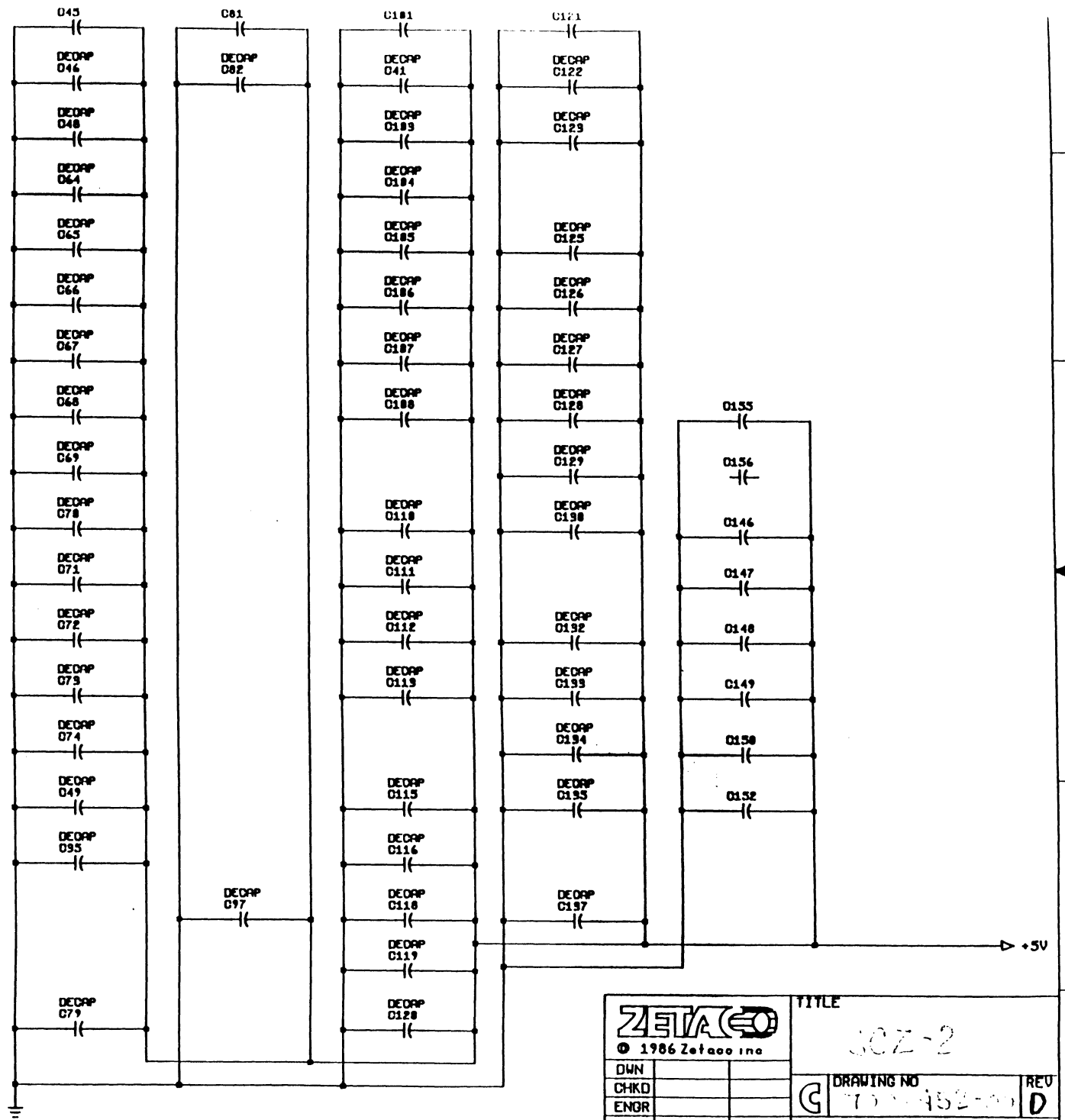
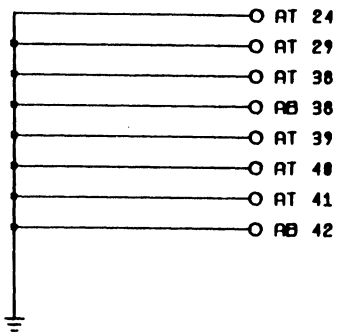
ZETACORP
 © 1987 Zetacorp Inc

DWN	
CHKD	
ENGR	
APPR	

TITLE	
SCSI CONTROL	
DRAWING NO	REV
700-452-00	D
SHEET 16 OF 19	



		TITLE	
		SCSI DATA BUS	
© 1987 Zetaco Inc		DRAWING NO 700-452-00	REV D
DWN			
CHKD			
ENGR			
APPR			



 © 1986 Zetaco inc		TITLE		
		307-2		
DWN		G	DRAWING NO	REV
CHKD			70-452-00	D
ENGR			SHEET 11 OF 19	
APPR				

A

B

C

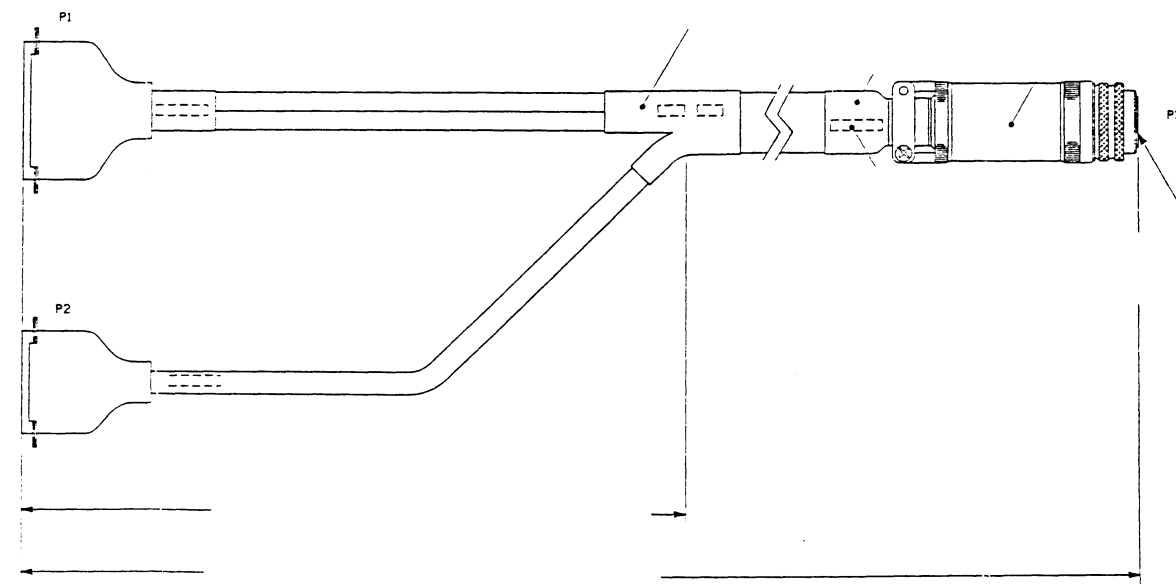
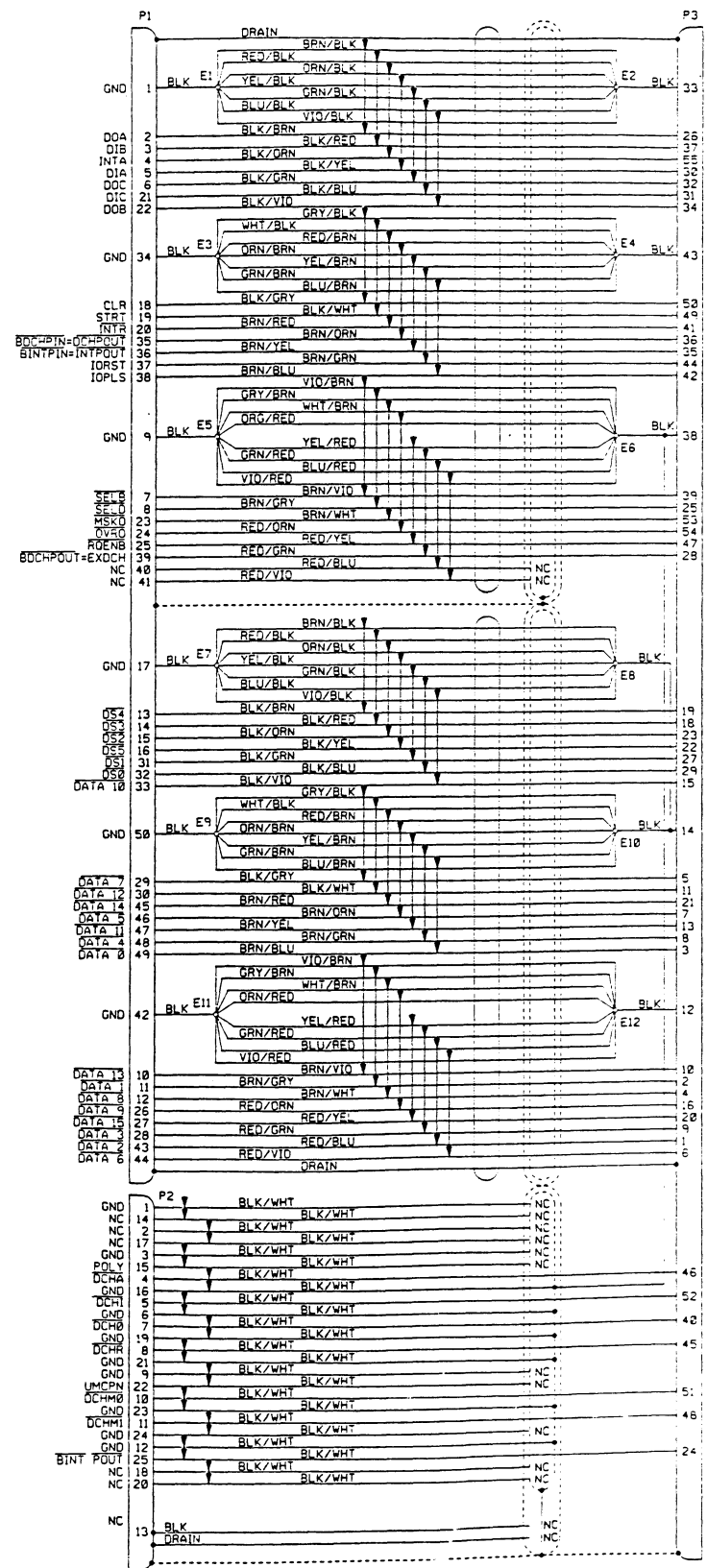
D

E

F

G

H



I/O Interface Cable
 Assembly - Rolm
 Computer to DH201R
 Disk Chassis