

BMX 1

REVISION N. STORBY		DESCRIPTION
ECO	DATE	
0401	01-84	PER ELO
0419	12-78	1.4 LNO
0493	10-85	SHEET 5 PER ELO

SPARE GATES
TYPE LOC. PIN

F74	Q11	9, 10, 11, 12, 13
F74	K2	8, 9, 10, 11, 12, 13
F04	C8	5, 6, 8, 19
F112	E11	7, 9, 10, 11, 12, 13, 14
LS02	E2	4, 5, 6, 11, 12, 13
96S02	008	
75451	E4	456

NOTE: NUMBERS ROUND WITHIN THE HEXAGON
SYMBOLS INDICATES SHEETS WHICH
CONTINUED LOGIC CAN BE FOUND
EXAMPLE -> (2) = SHEET 2

©1985 ZETACOR

REVISION N. STORBY

DATE: 12-78

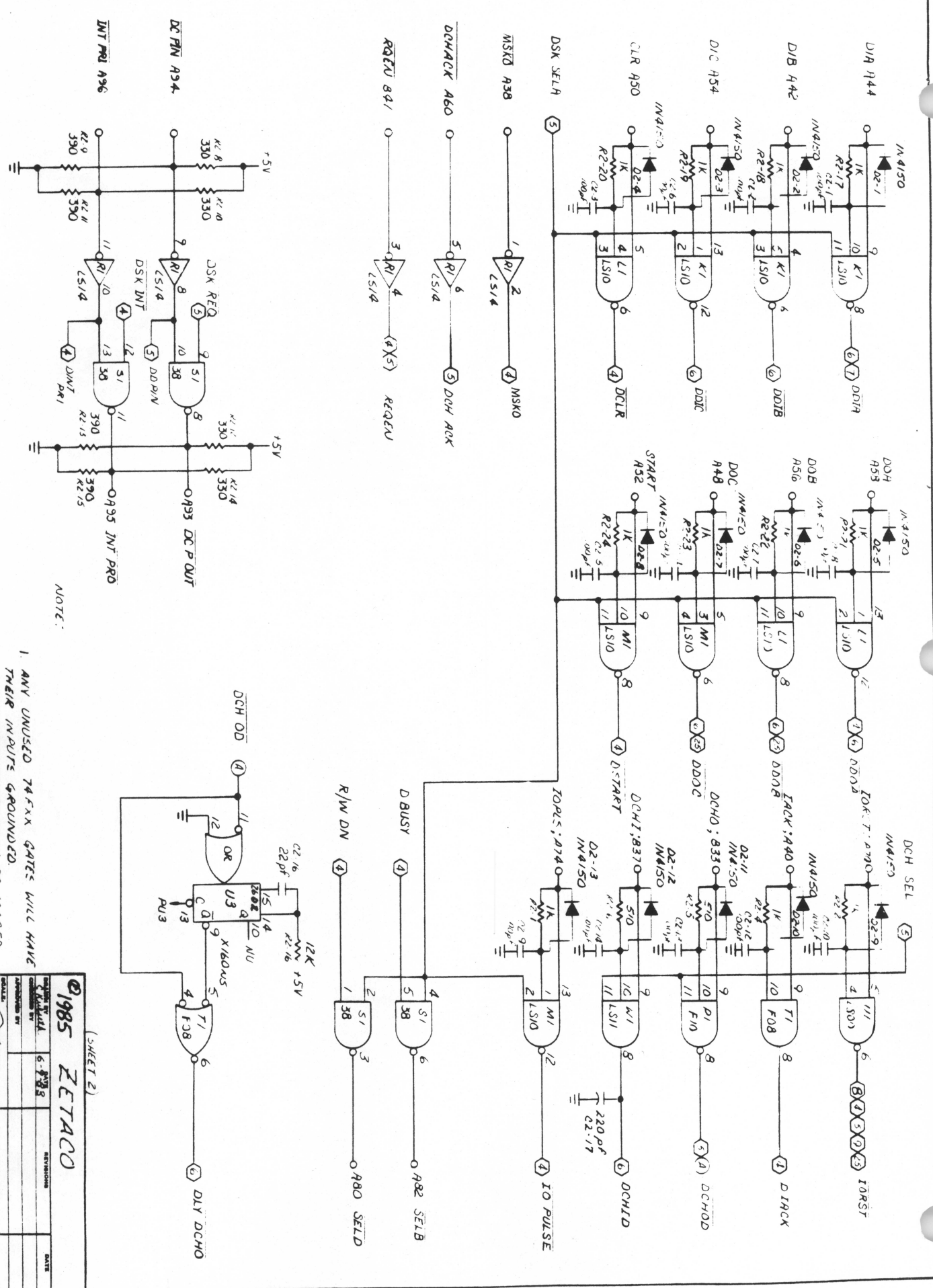
DESCRIPTION: 1.4 LNO

SHEET 5 PER ELO

700-276-00C

(SHEET 1 OF 56)

700276-000 B

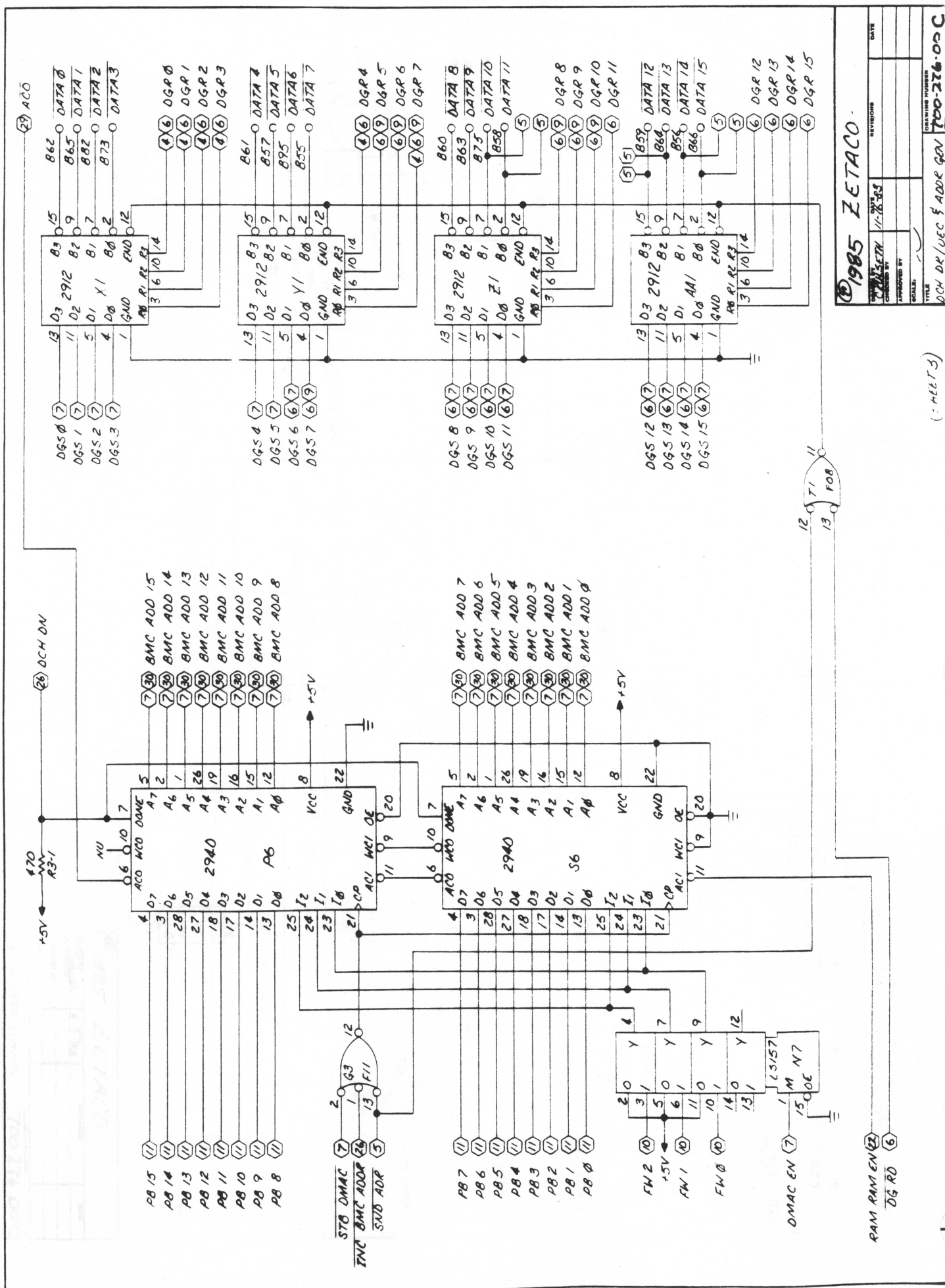


NOTE:

1. ANY UNUSED 74XX GATES WILL HAVE THEIR INPUTS GROUNDDED
2. ANY SPARE GATES WILL BE LOGGED ON THE FIRST OR LAST SHEET

1985 ZETACO (SHEET 2)

DESIGNED BY	DATE
CHECKED BY	DATE
APPROVED BY	DATE
REVISIONS	DATE
DRAWING NUMBER: 700-276-000	
TITLE: DG INTERFACE	

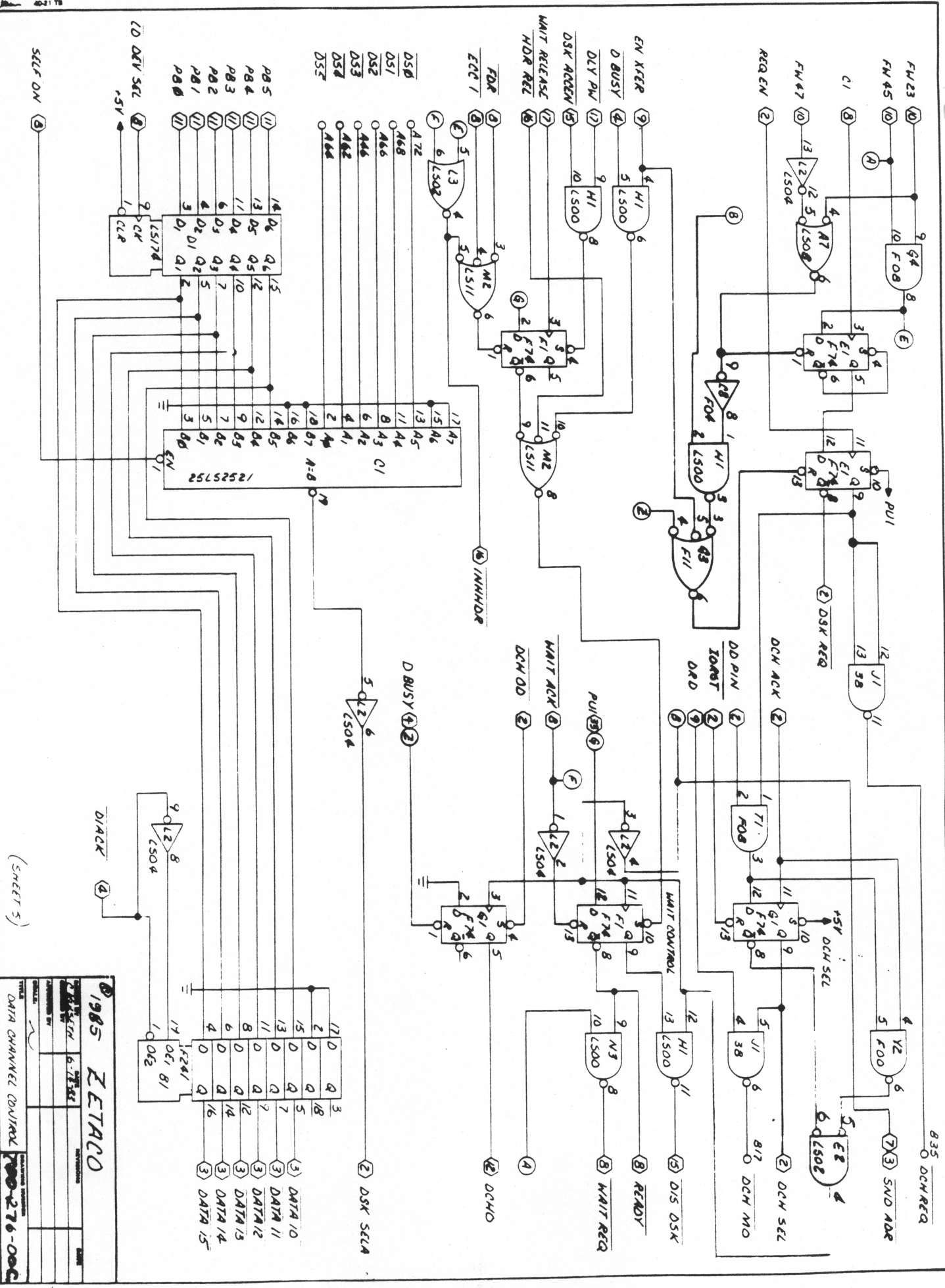


1985 ZETAC

DATE	11-28-83
REVISIONS	
DESIGNED BY	
CHECKED BY	
APPROVED BY	
SCALE	
TITLE	DCH DR / DEC 8 ADDR GEN
DRAWING NUMBER	700-276-00C

(: NET 3)

70-276-000B



(SHEET 5)

1985 ZETACO

DATE: 6-78

DESIGNED BY: []

CHECKED BY: []

REVISION: []

TITLE: DATA CHANNEL CONTROL

PART NUMBER: 700-276-000

B35 DCH REQ

Y2 F00

E8 L508

B17 DCH MO

DCH SEL

DCH MO

DCH SEL

DCH ADDR

WAIT REQ

READY

D/S DSK

DCHD

DCHD

DCHD

DCHD

DCHD

DCHD

DCHD

DCHD

DCHD

DCHD

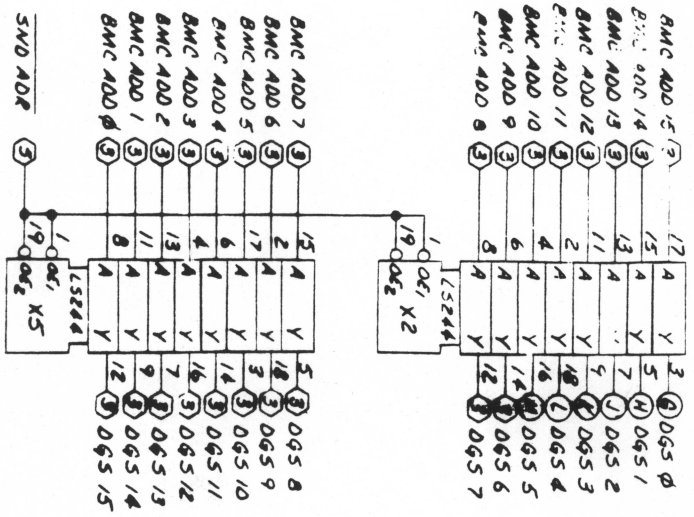
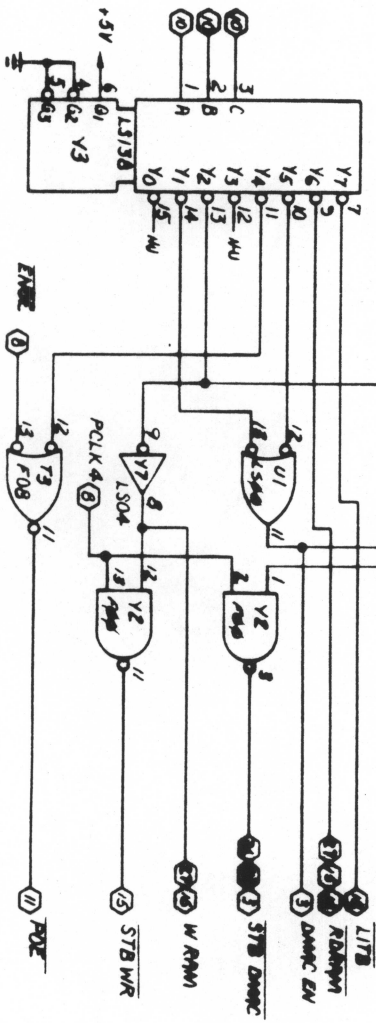
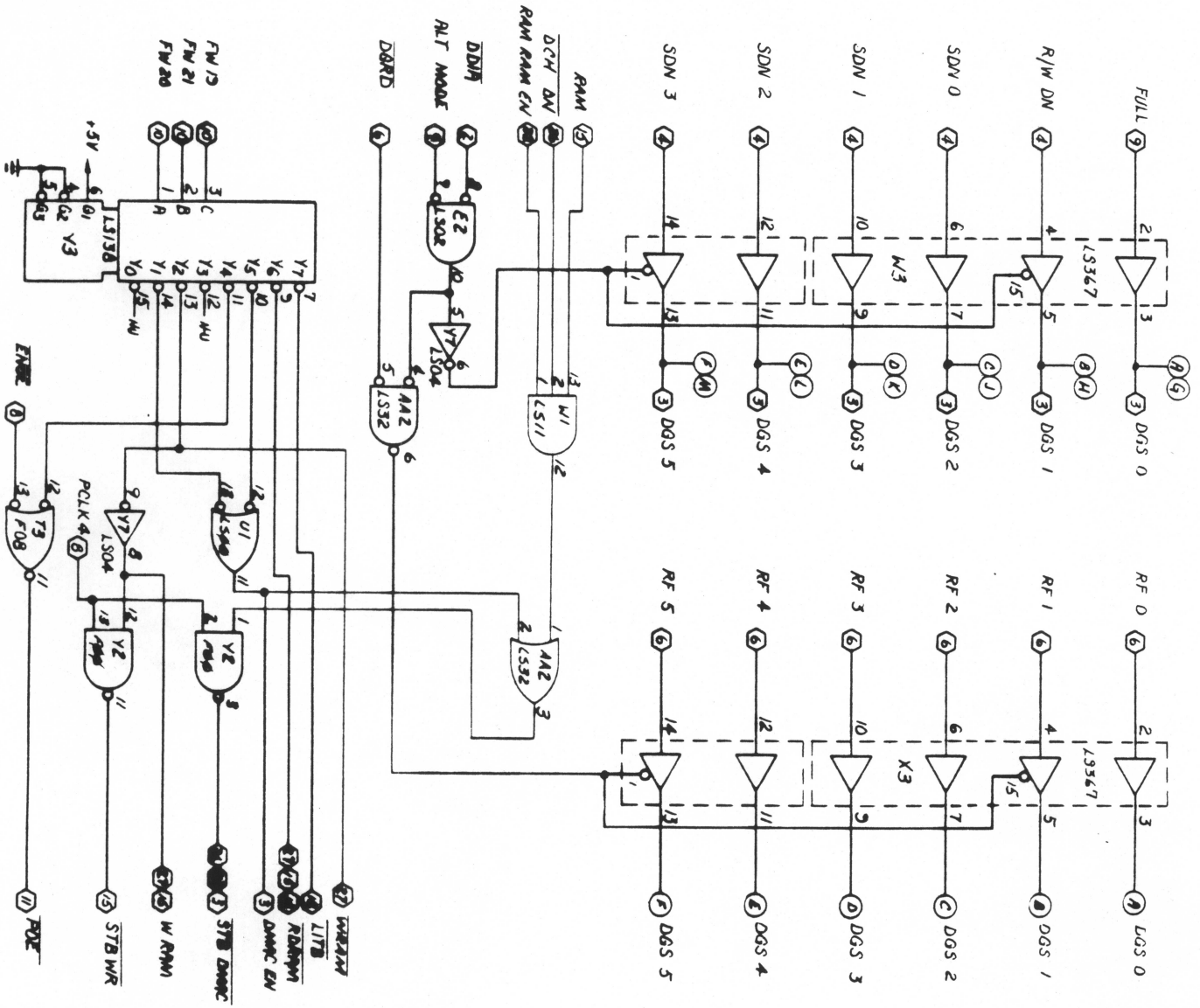
DCHD

DCHD

DCHD

DCHD

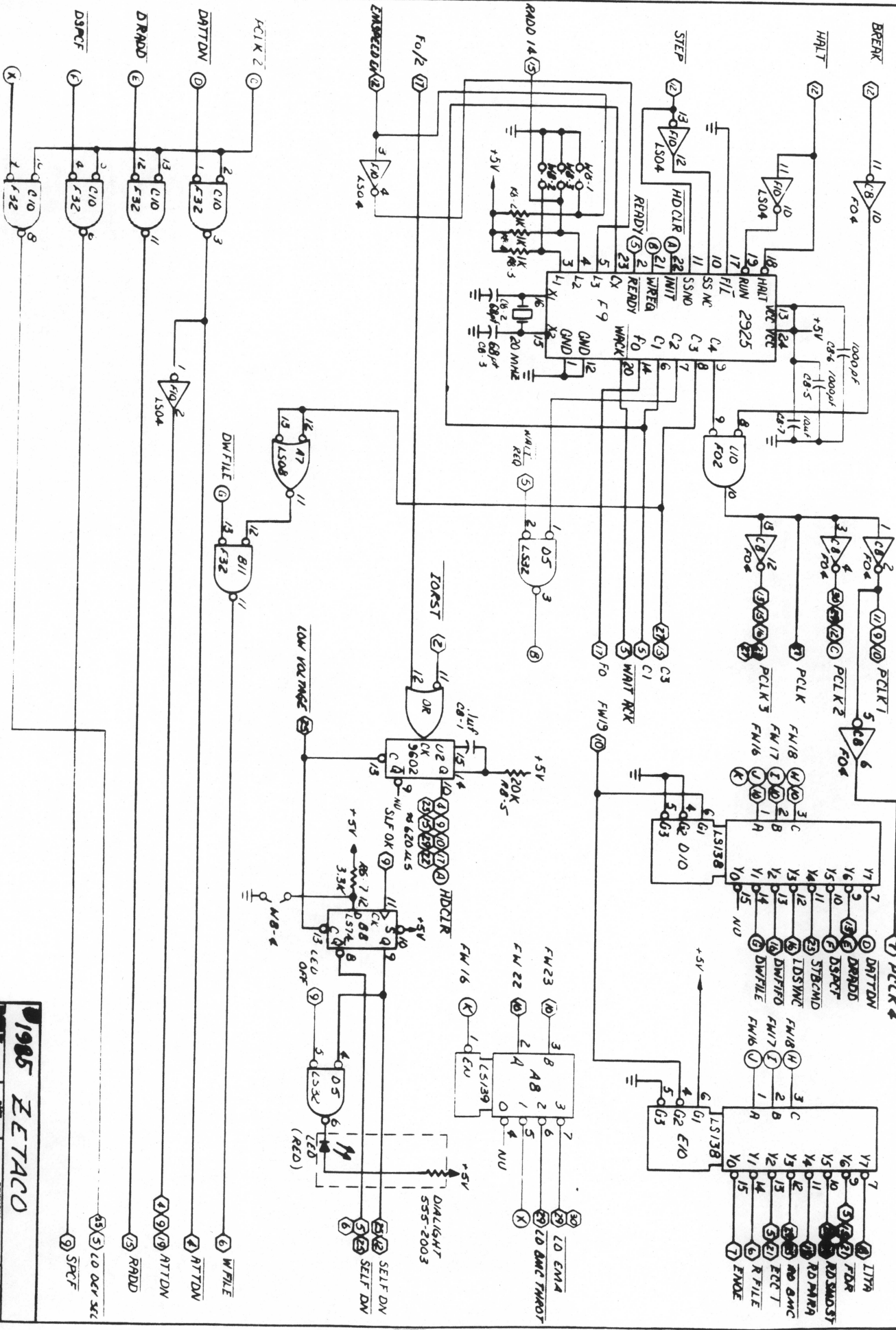
DCHD



1985 ZETACO

DIR DRIVER

700-276-000 C

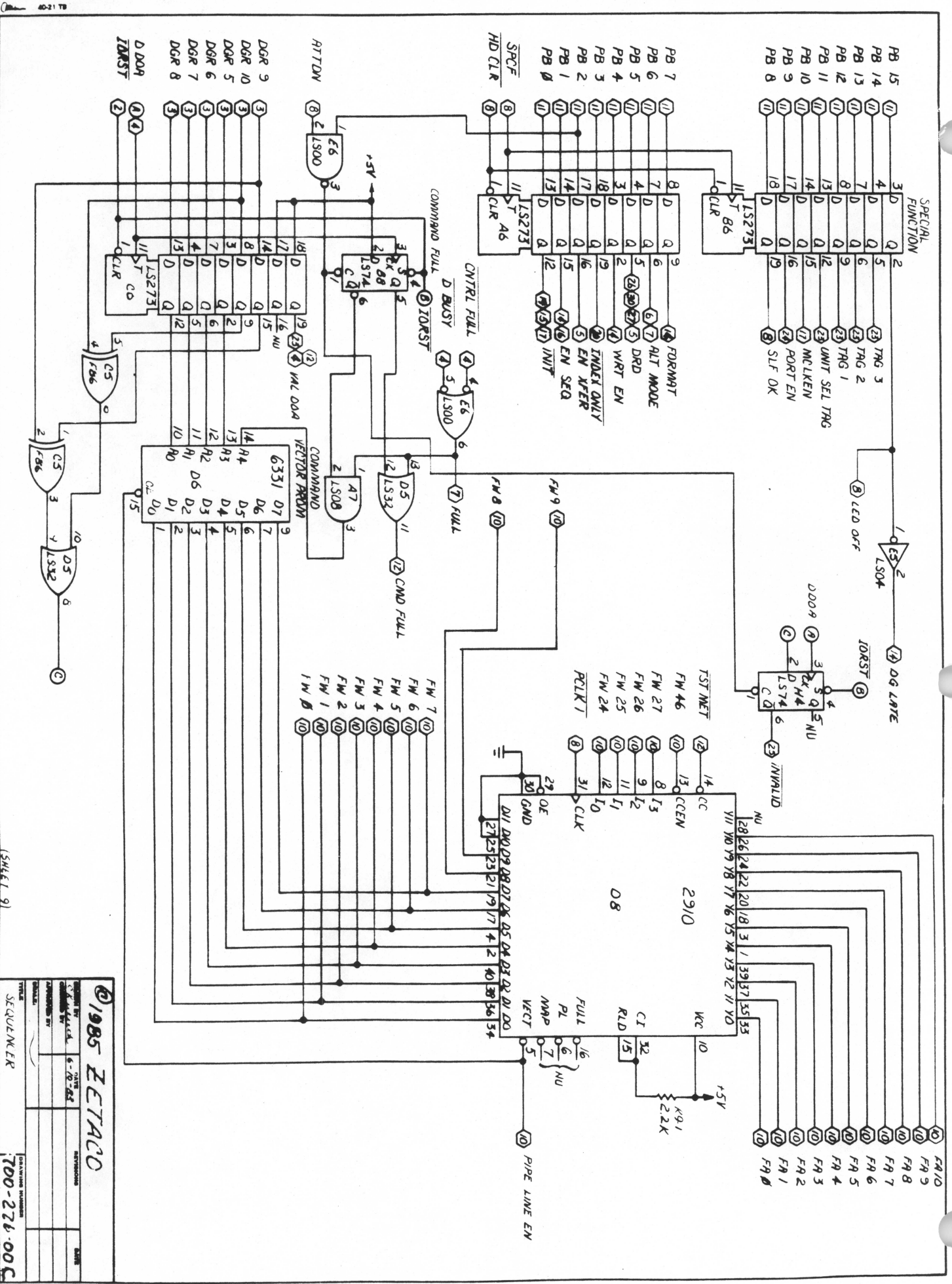


700276-000 B

(SHEET 1 OF 1)

1985 ZETACO	
Model	700-276-00C
Manufacturer	ZETACO
Part Number	700-276-00C
Revision	B
Date	
Drawn By	
Checked By	
Approved By	
Notes	

WICKO CONTROL

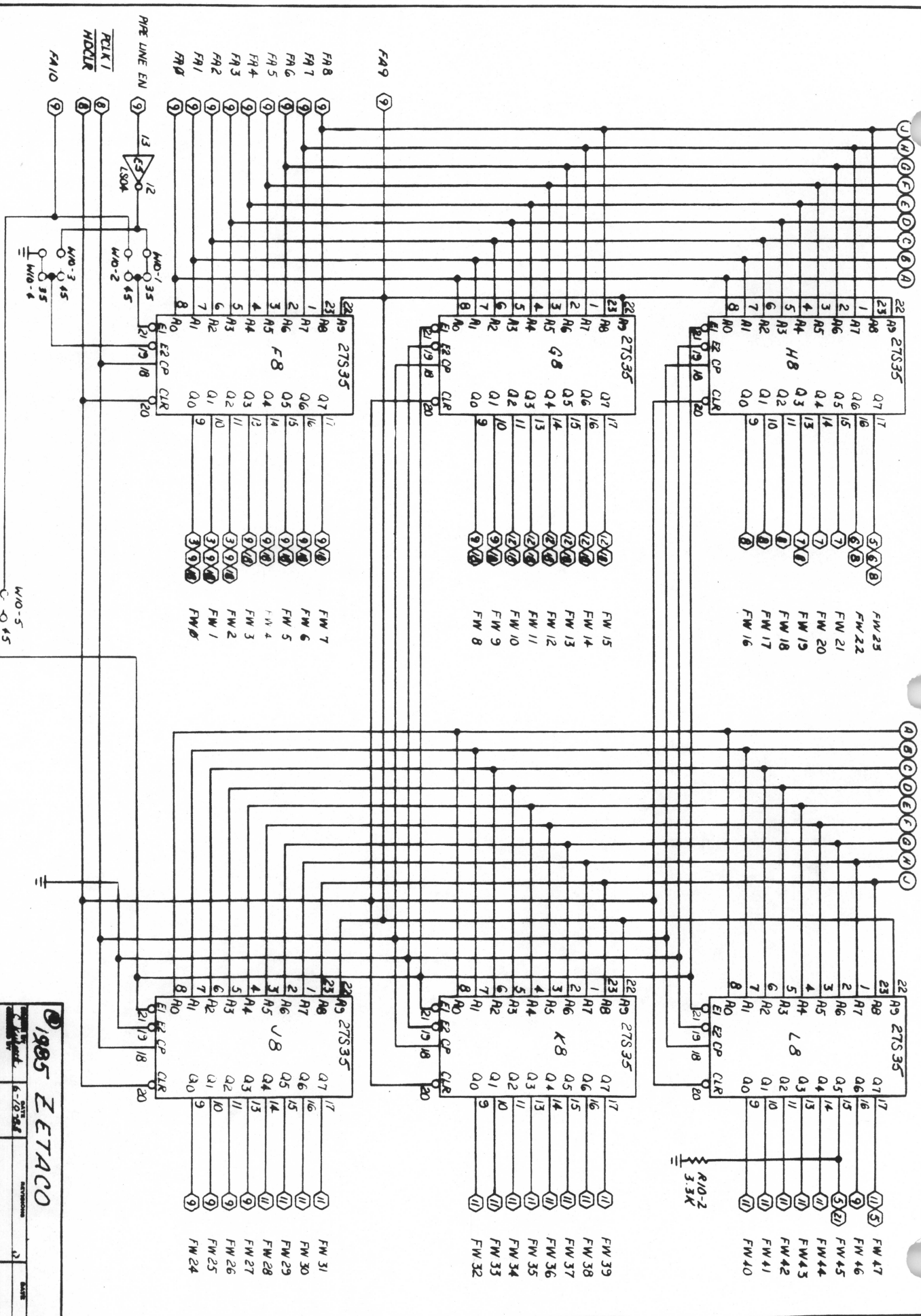


1985 EETACO

DESIGNED BY: C. K. WILKINSON
 DRAWN BY: J. W. WILKINSON
 DATE: 6-70-82

SEQUENCER

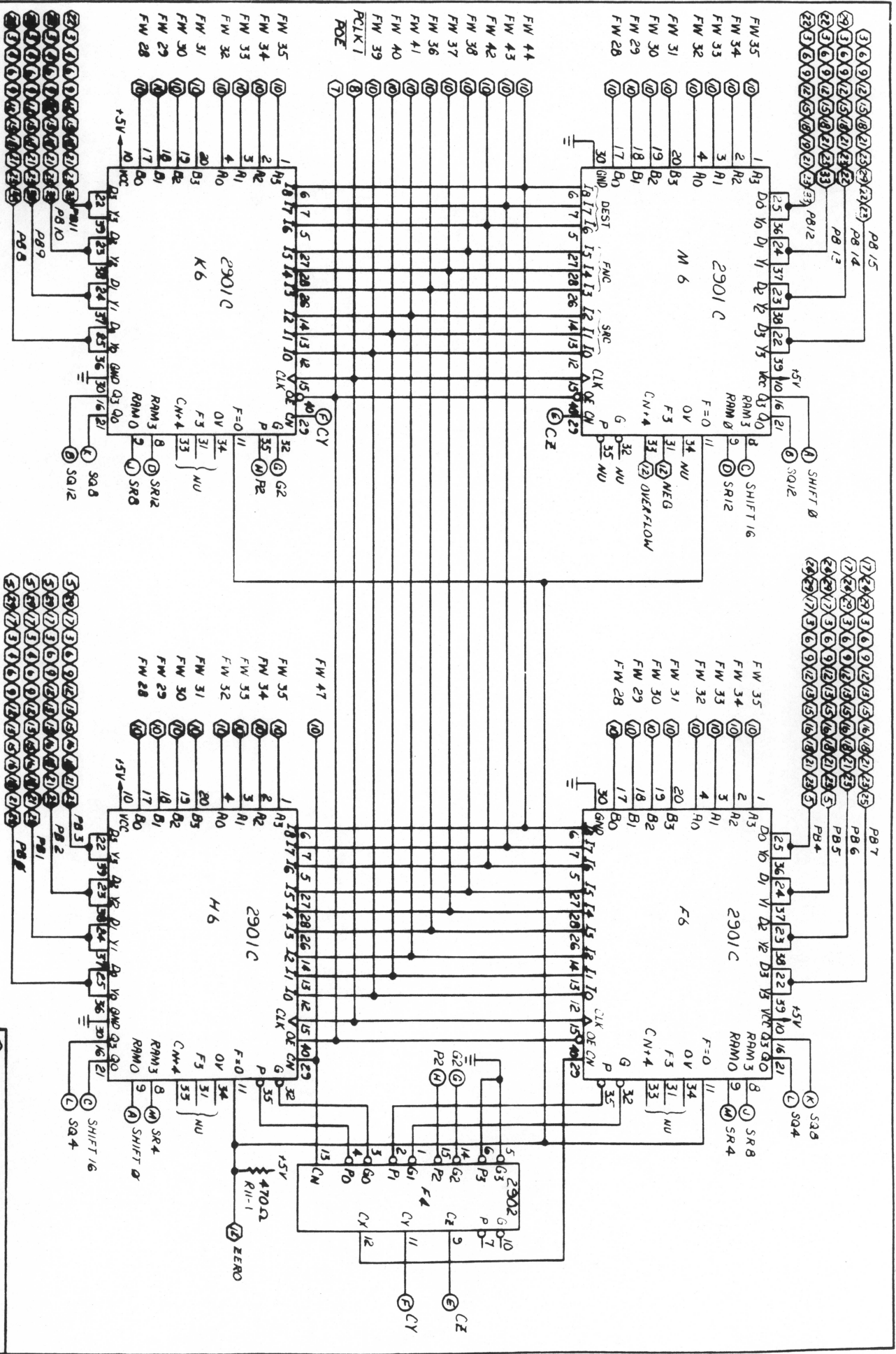
700-276-00C



700276-000 B

(SHEET 10)

1985 ZETACO		DATE	6-10-84
DESIGNED BY		APPROVED	
CHECKED BY		DATE	12
ISSUED BY		DATE	
CONTAINING STANDARD			
700-276-00 C			
TITLE / KIMWAPRE			



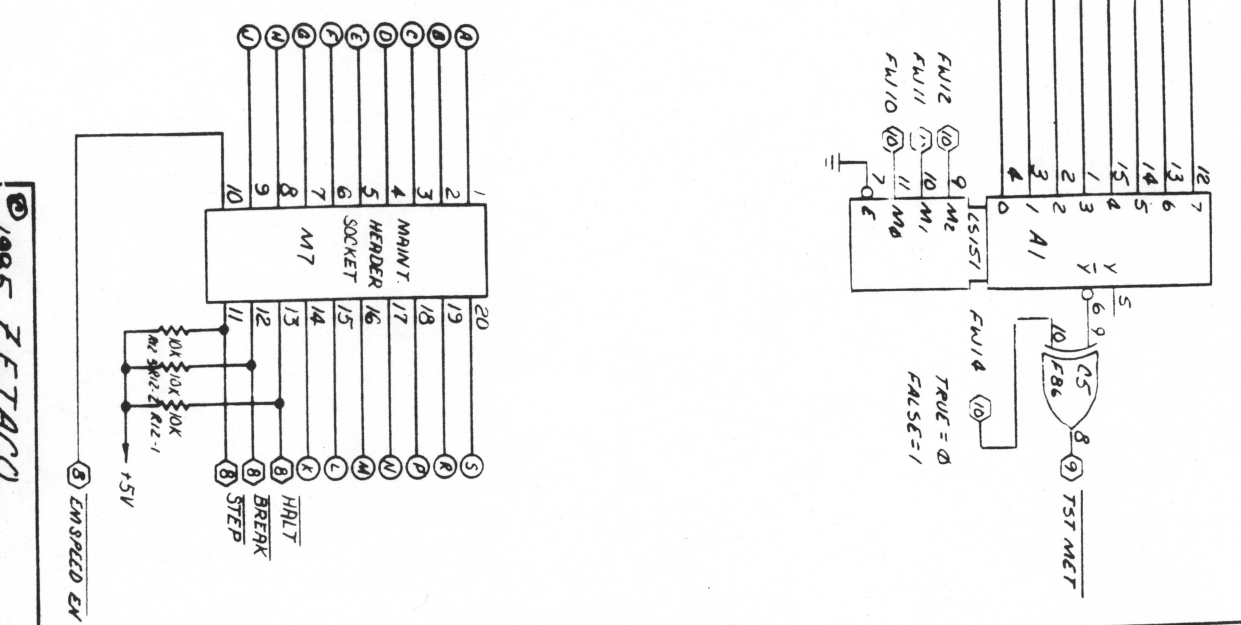
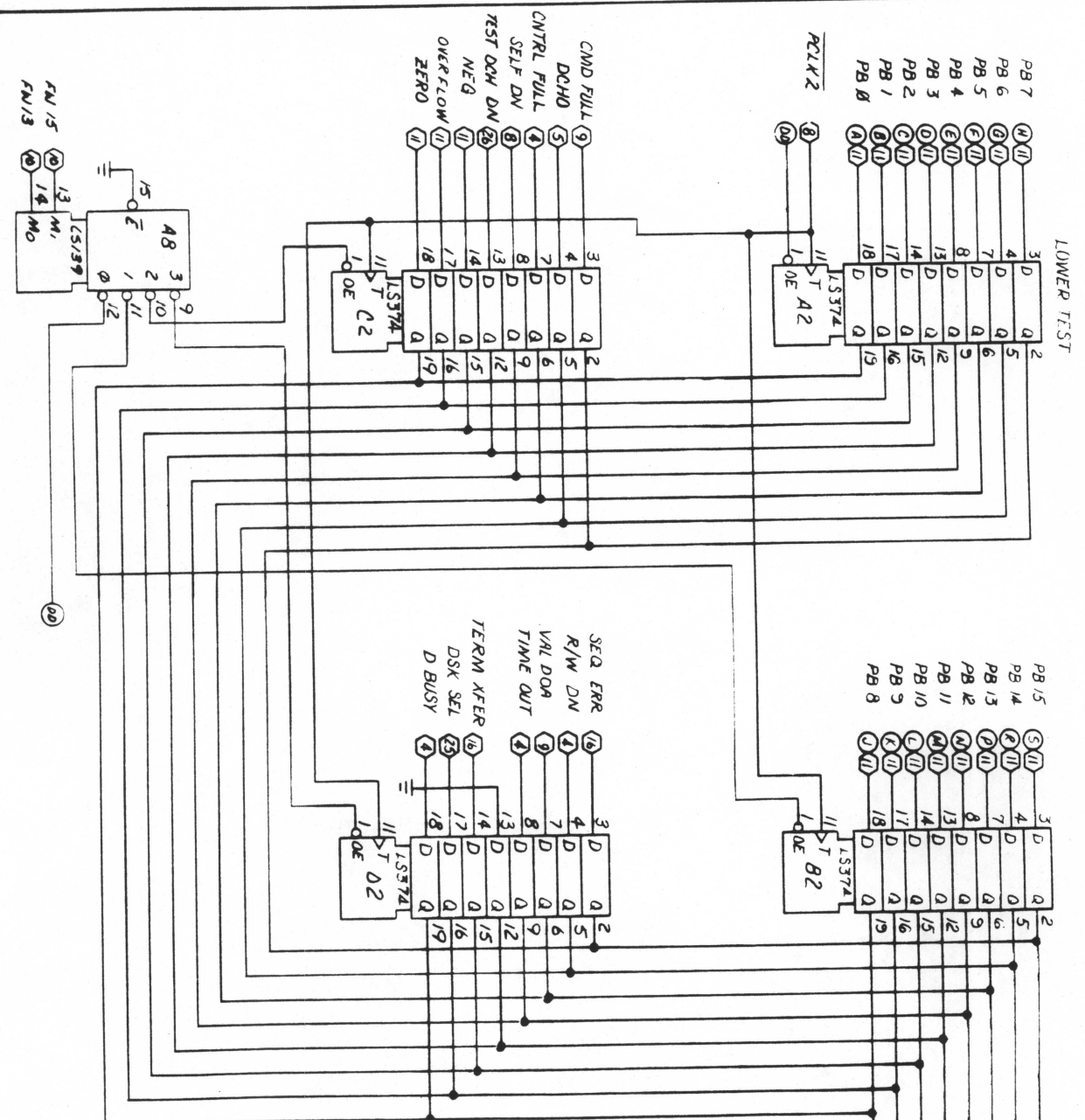
(SHEET 11)

©1985 ZETACOR

PROCESSOR

700-276-000

DATE	DESIGNED BY	DESIGNED BY
DATE	CHECKED BY	CHECKED BY
DATE	APPROVED BY	APPROVED BY



(SHEET 12)

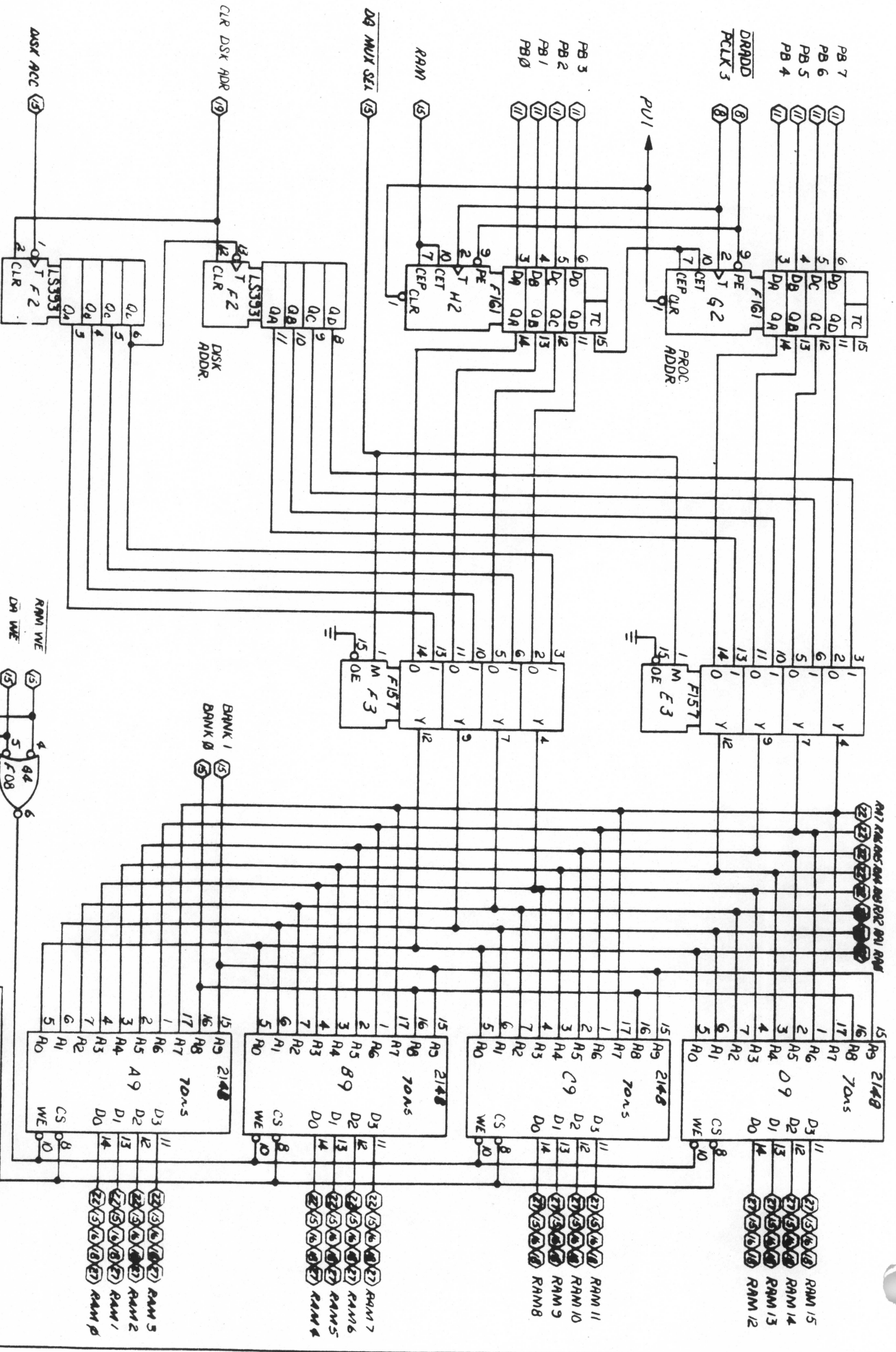
1985 ZETACD

REVISIONS

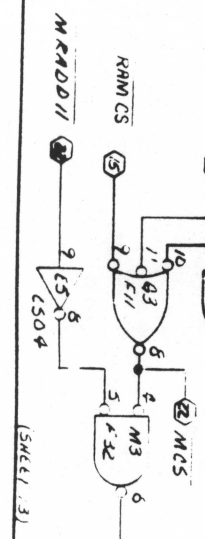
NO.	DATE	BY	DESCRIPTION
1	6-70-81		

TEST CONDITION

700-276-000



7002716-000 B



1985 ETACO

DATE: 8-83

DESIGNED BY: []

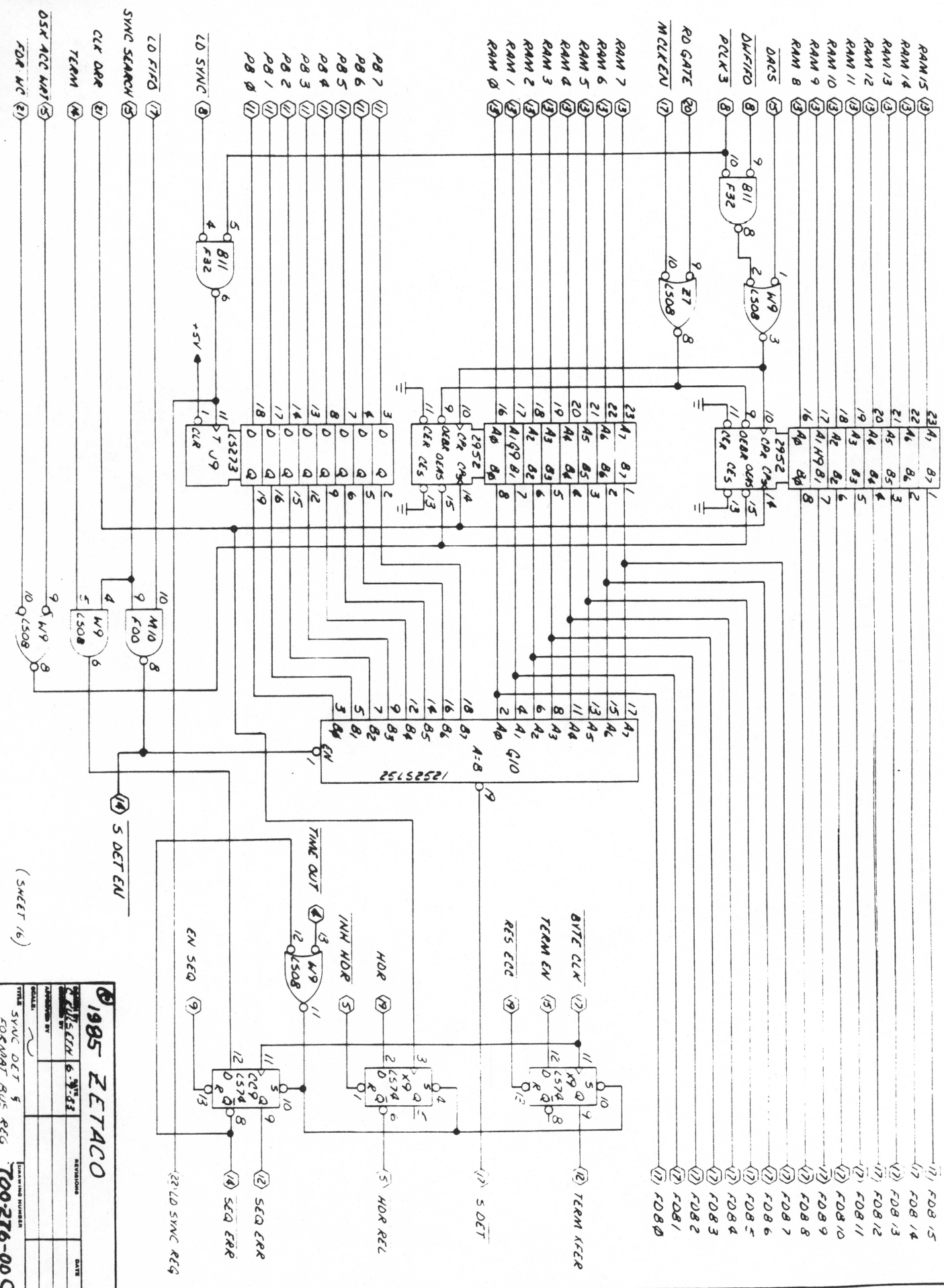
CHECKED BY: []

DATE: []

700-2716-000

MEMORY

DISK WRITE REG



700276-000 B

(SHEET 16)

1985 ZETACO

REVISIONS

DATE

DESIGNED BY

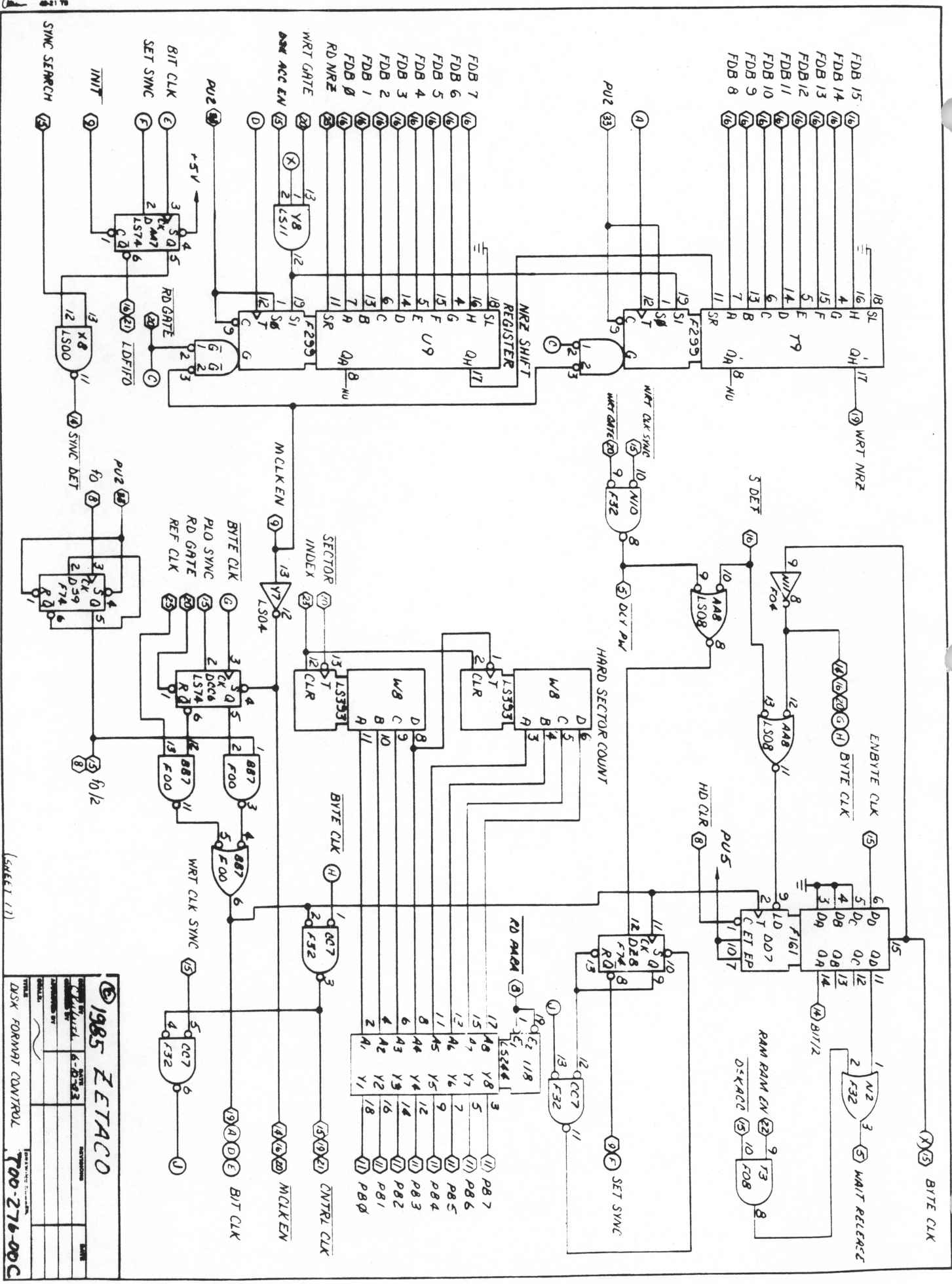
CHECKED BY

DATE

TITLE SYNC DET 5

FOR DRAWN 805 REG

700-276-005



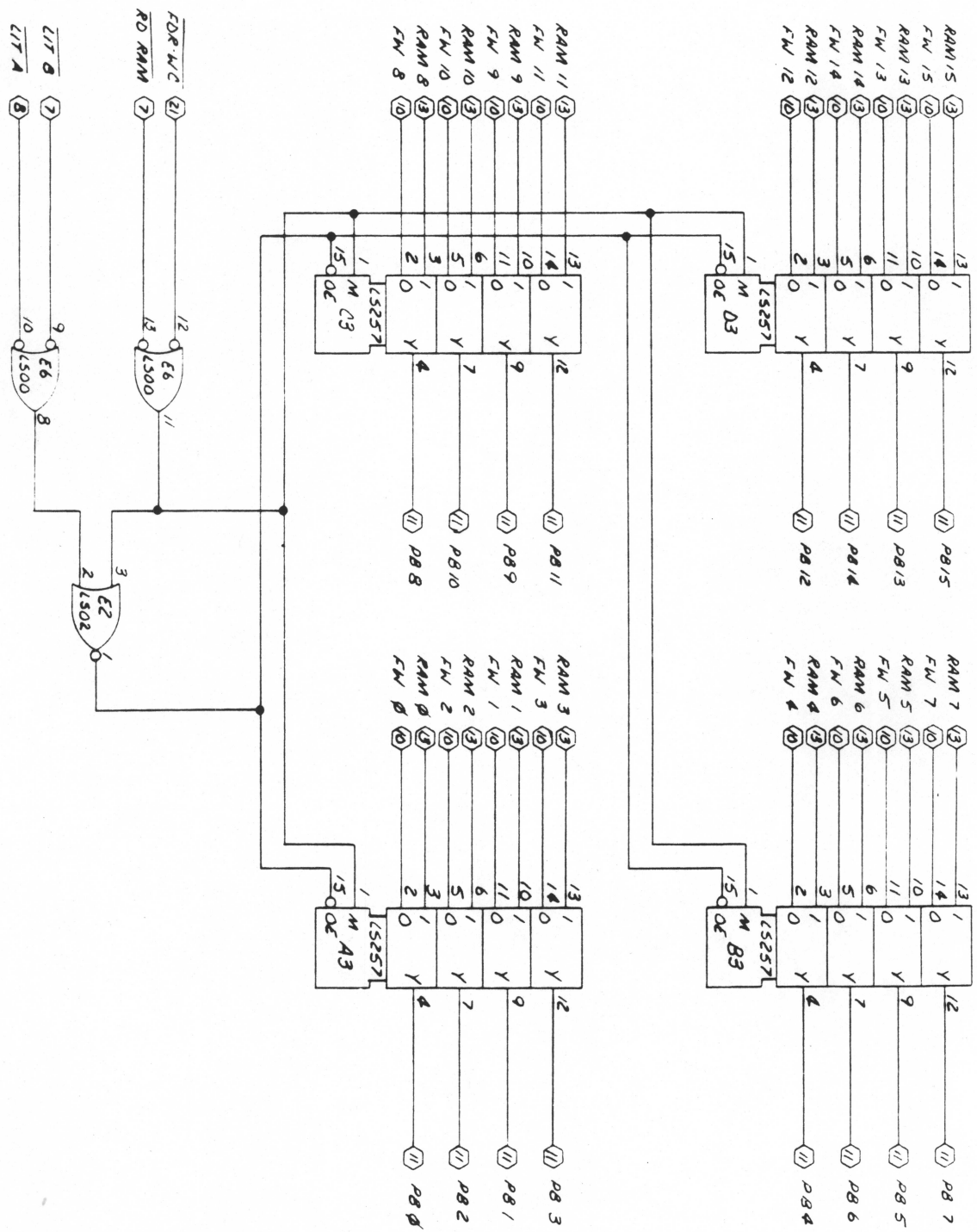
(SHEET 1/1)

1985 ZETACOR

DISK FORMAT CONTROL

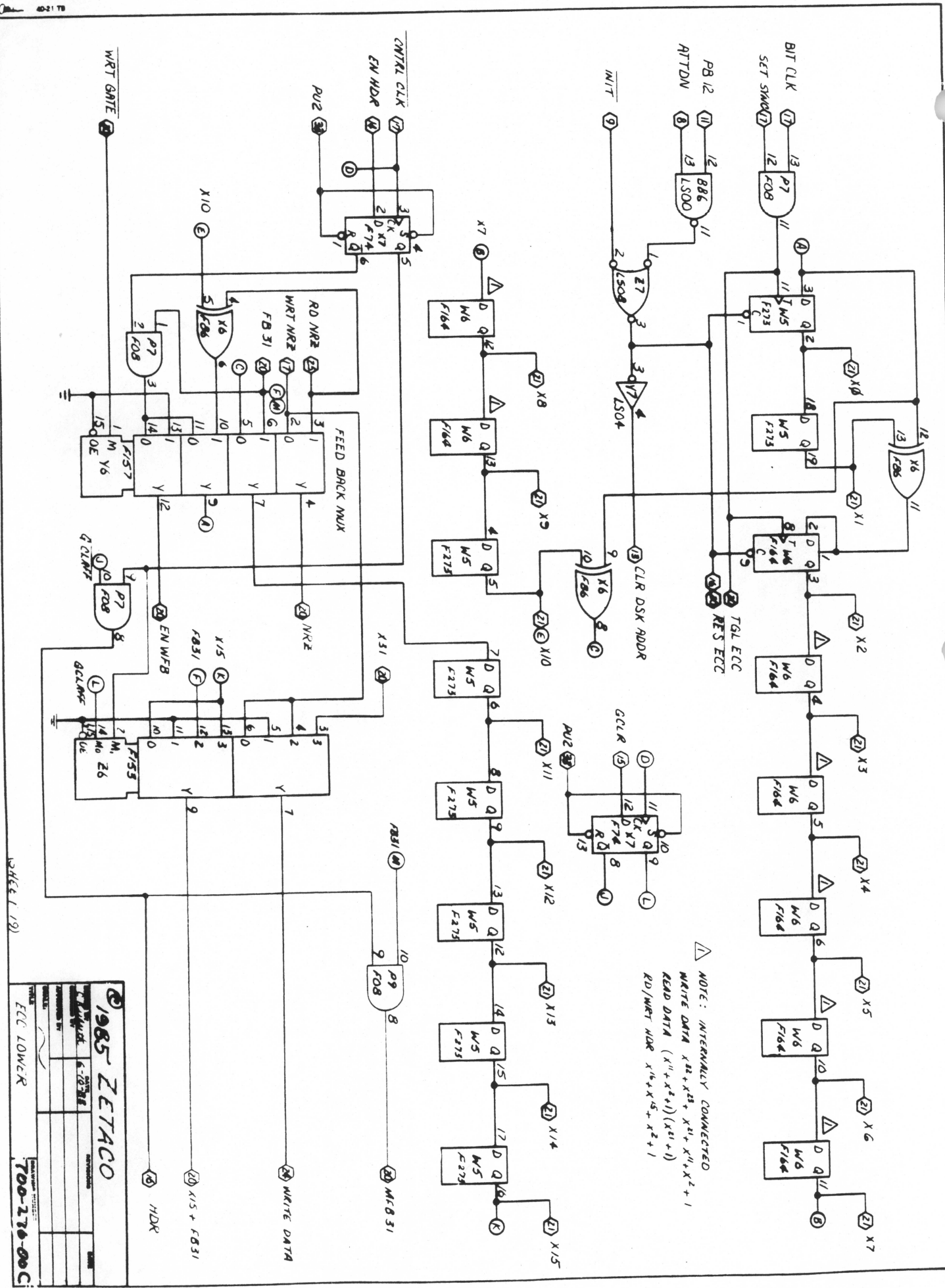
700-276-000C

DATE	REV	BY	CHKD BY



(SHEET 18)

<p>1985 ZETACO</p>	
<p>DATE</p>	<p>REVISION</p>
<p>6-2-84</p>	<p>1</p>
<p>DESIGNED BY</p>	<p>APPROVED BY</p>
<p>DATE</p>	<p>DATE</p>
<p>700-276-000 C</p>	<p>700-276-000 C</p>



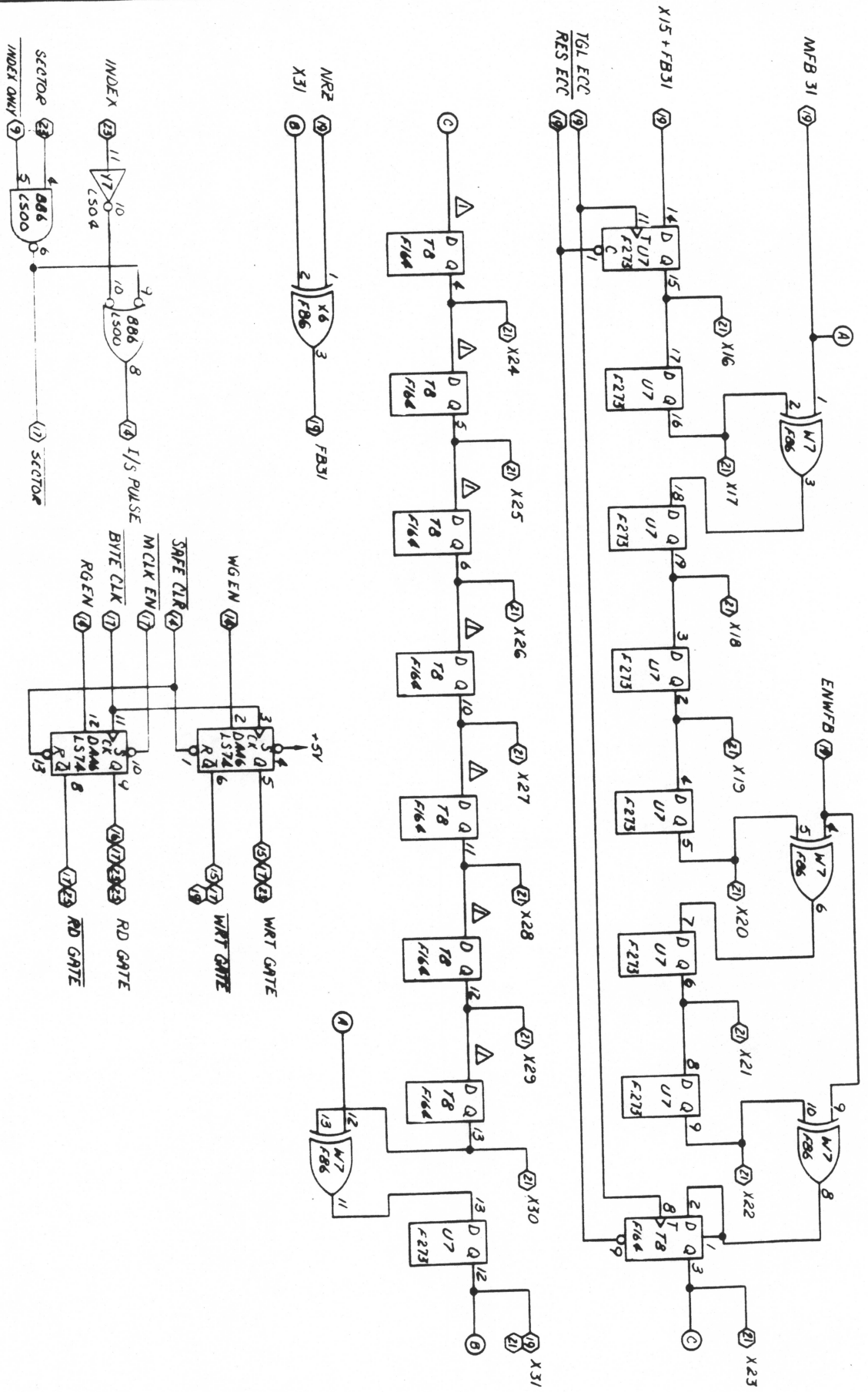
NOTE: INTERNALLY CONNECTED
 WRITE DATA $X^{12} + X^{25} + X^{11} + X^{14} + X^2 + 1$
 READ DATA $(X^{11} + X^2 + 1)(X^{21} + 1)$
 RD/WRT HDR $X^{14} + X^5 + X^2 + 1$

1985 ZETACO

ECC LOWERC

700-276-000 C

DATE	REV	BY	CHKD

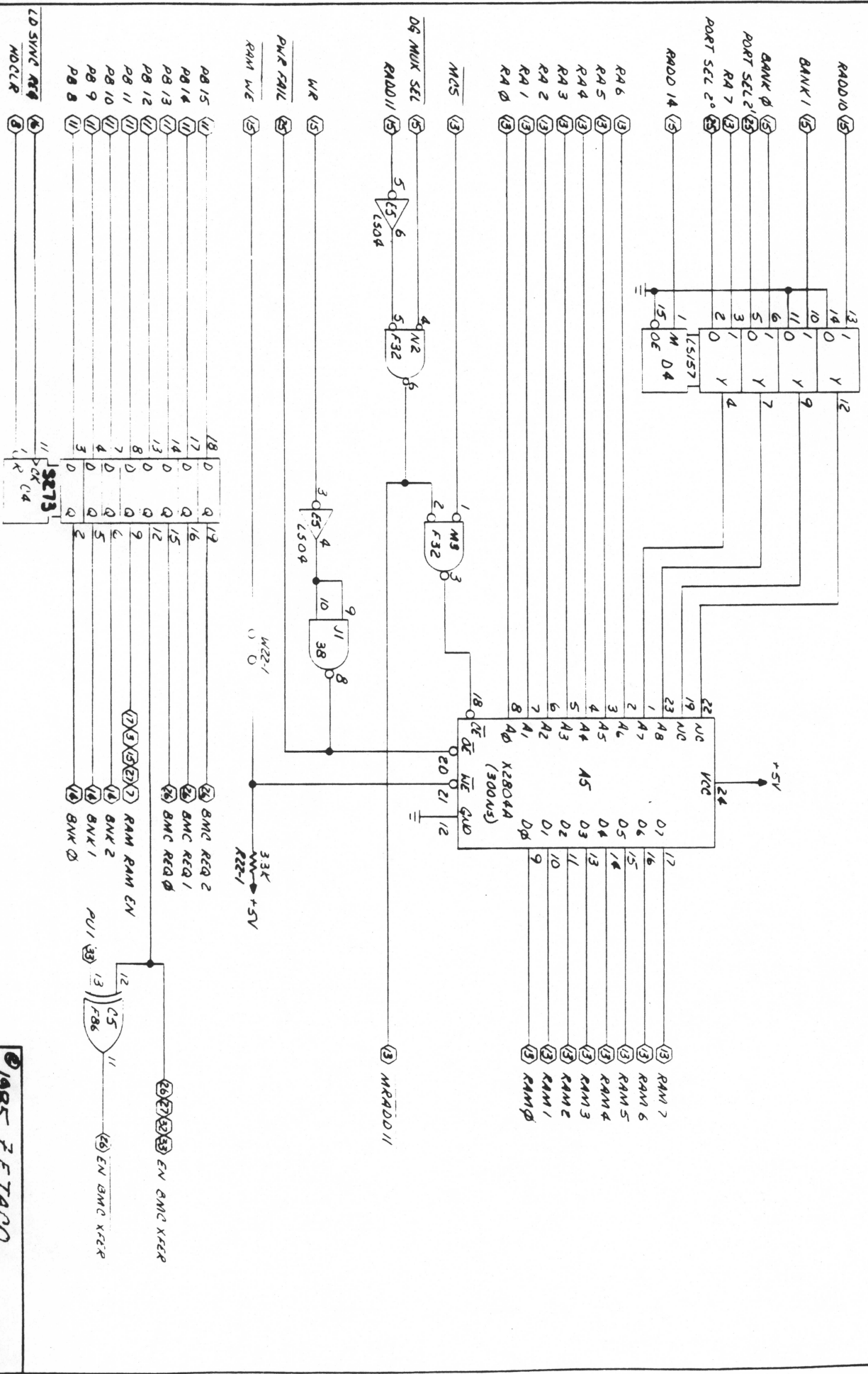


△ NOTE: INTERNALLY CONNECTED

700276-000 B

(SHEET 2/1)

1985 ZETACO	
DATE	REVISION
DESIGNED BY	6-27-84
CHECKED BY	
DATE	
CALCULATING MATERIALS	
700-276-000 C	
ECC UPPER	

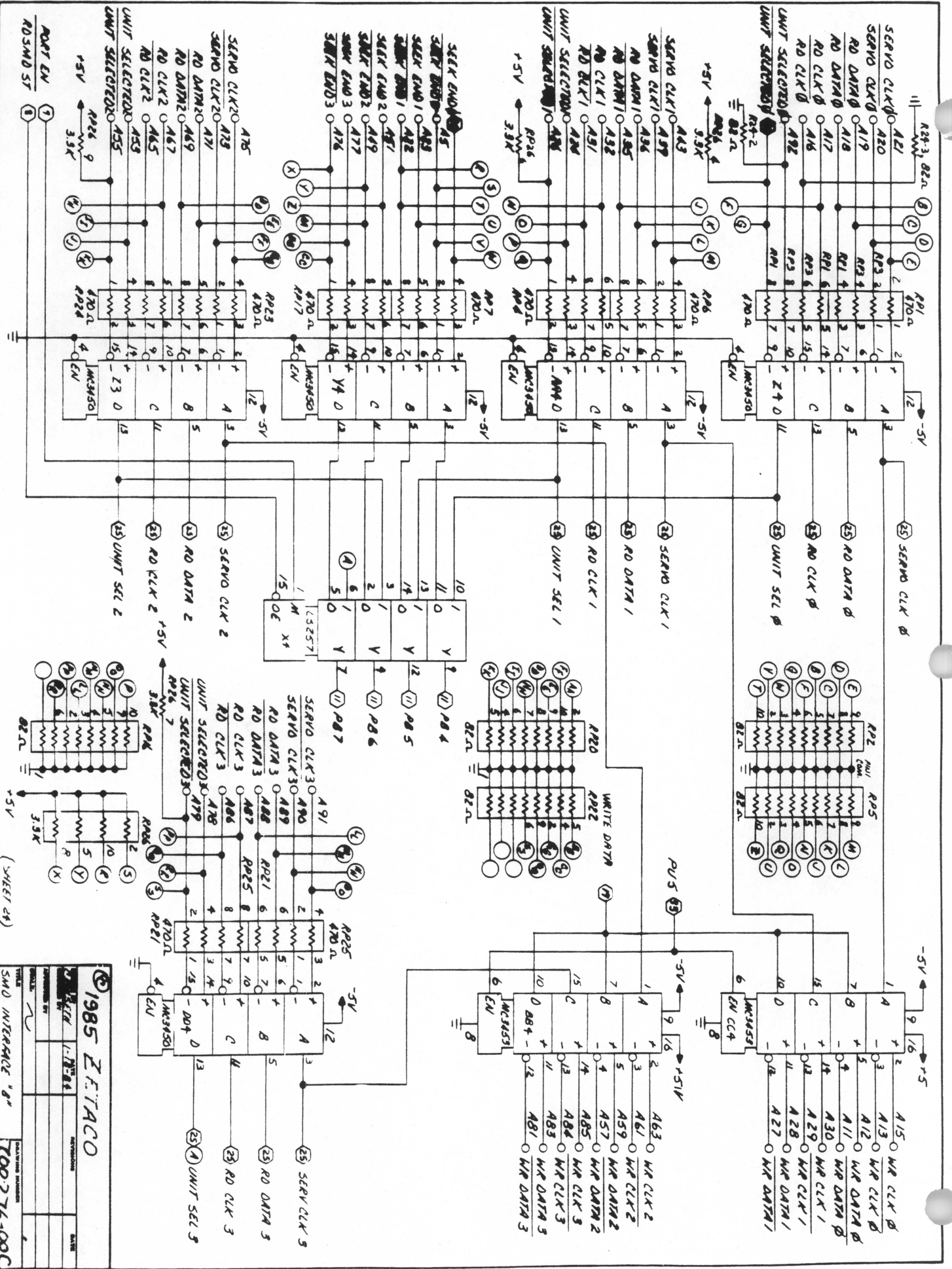


700276-000 B

(5461 22)

1985 ZETACO		PART NUMBER 700-276-000
TITLE RAM WE	DATE 6-20-84	DRAWN BY ...
CHECKED BY ...	APPROVED BY ...	DATE ...

700276-000 B



(SHEET 24)

1985 E-TACCO

DATE: 1-18-84

DESIGNED BY: [Signature]

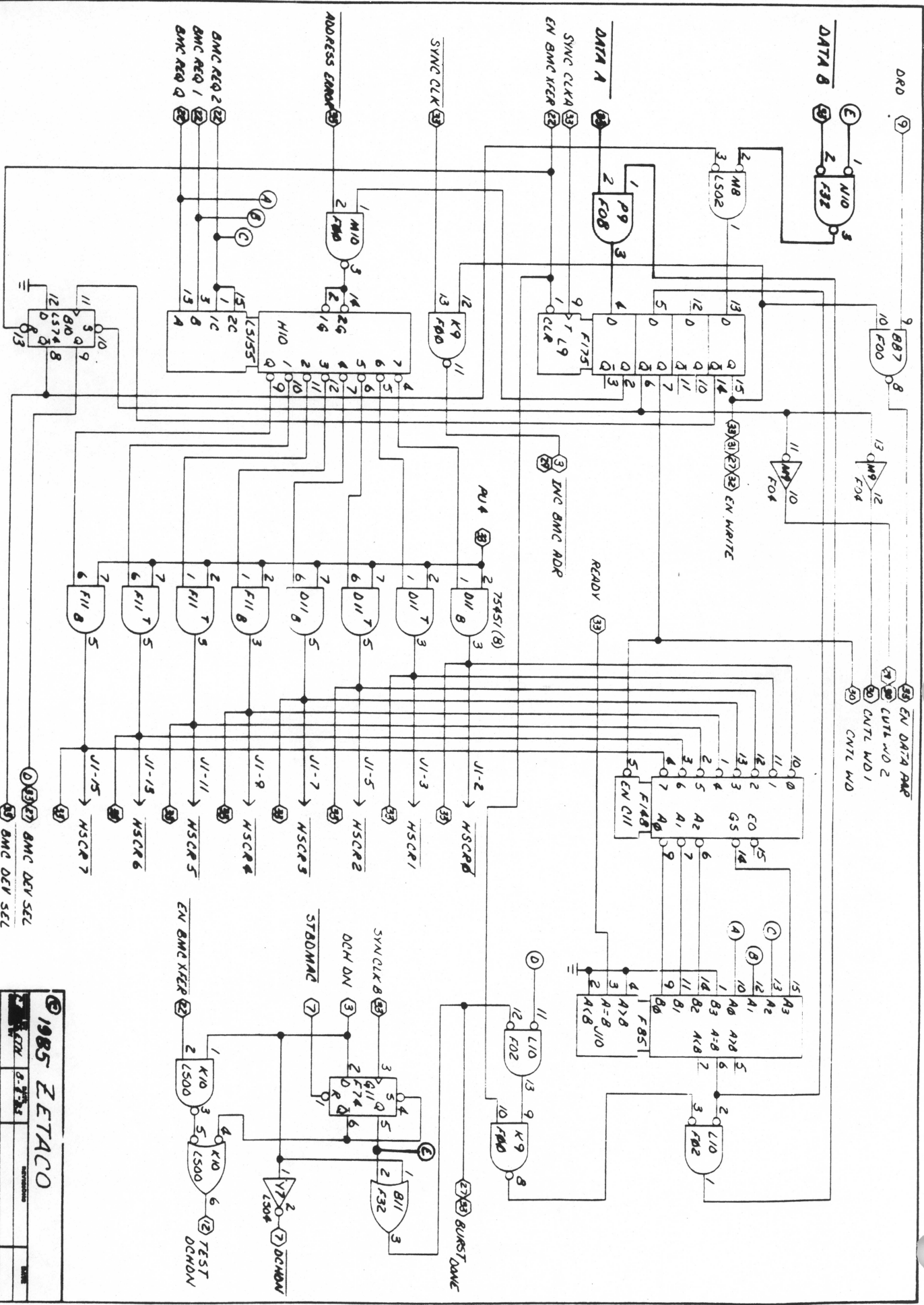
CHECKED BY: [Signature]

SCALE: [Blank]

TITLE: SMD INTERFERENCE "B"

DATE: [Blank]

700276-000C



700276-000 B

(SHEET 26)

1985 ETACO

DESIGNER: **ETX**

DATE: **8-8-84**

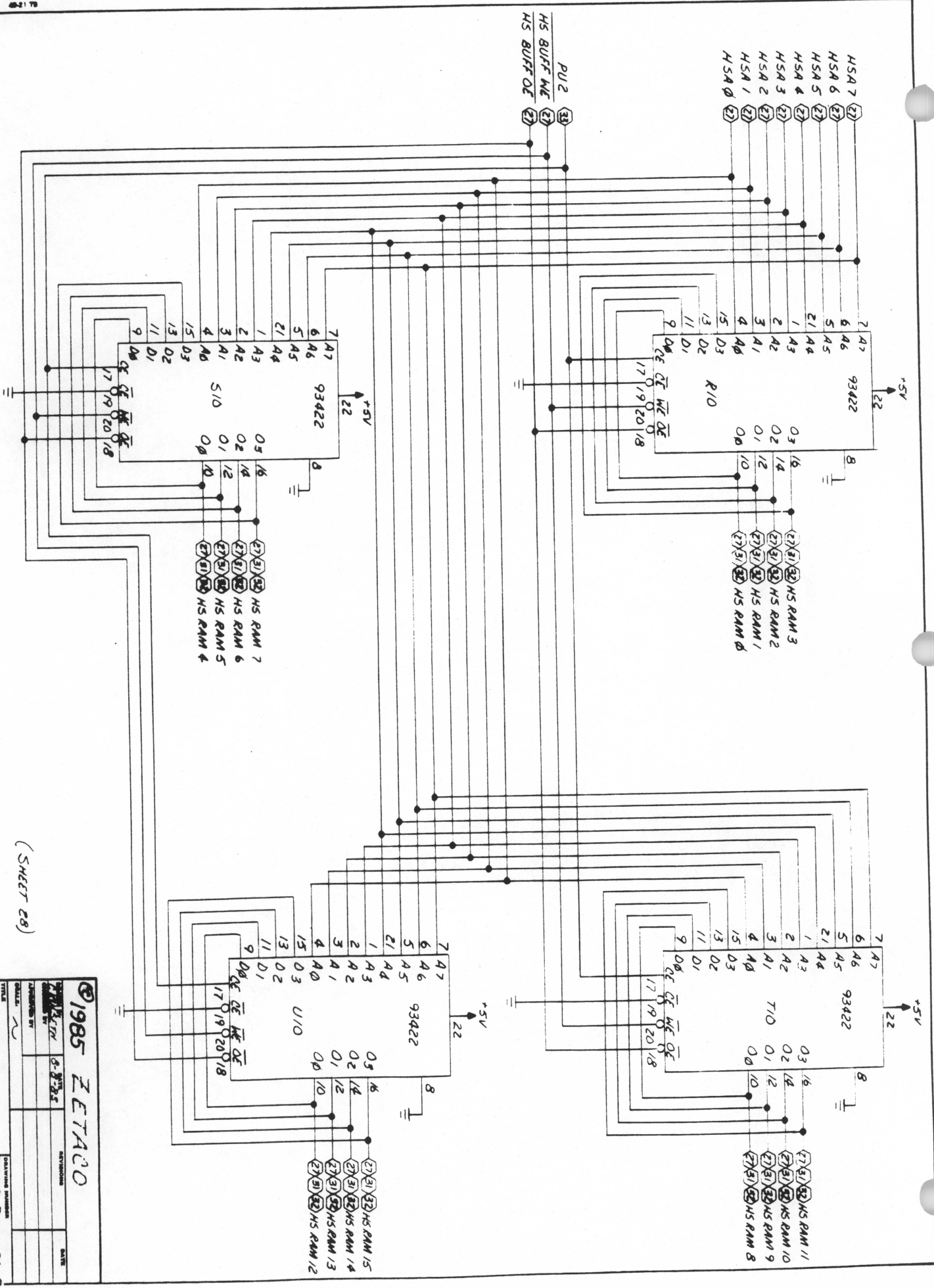
PROJECT: **BMC BUS REQUEST**

REVISIONS:

NO.	DATE	DESCRIPTION

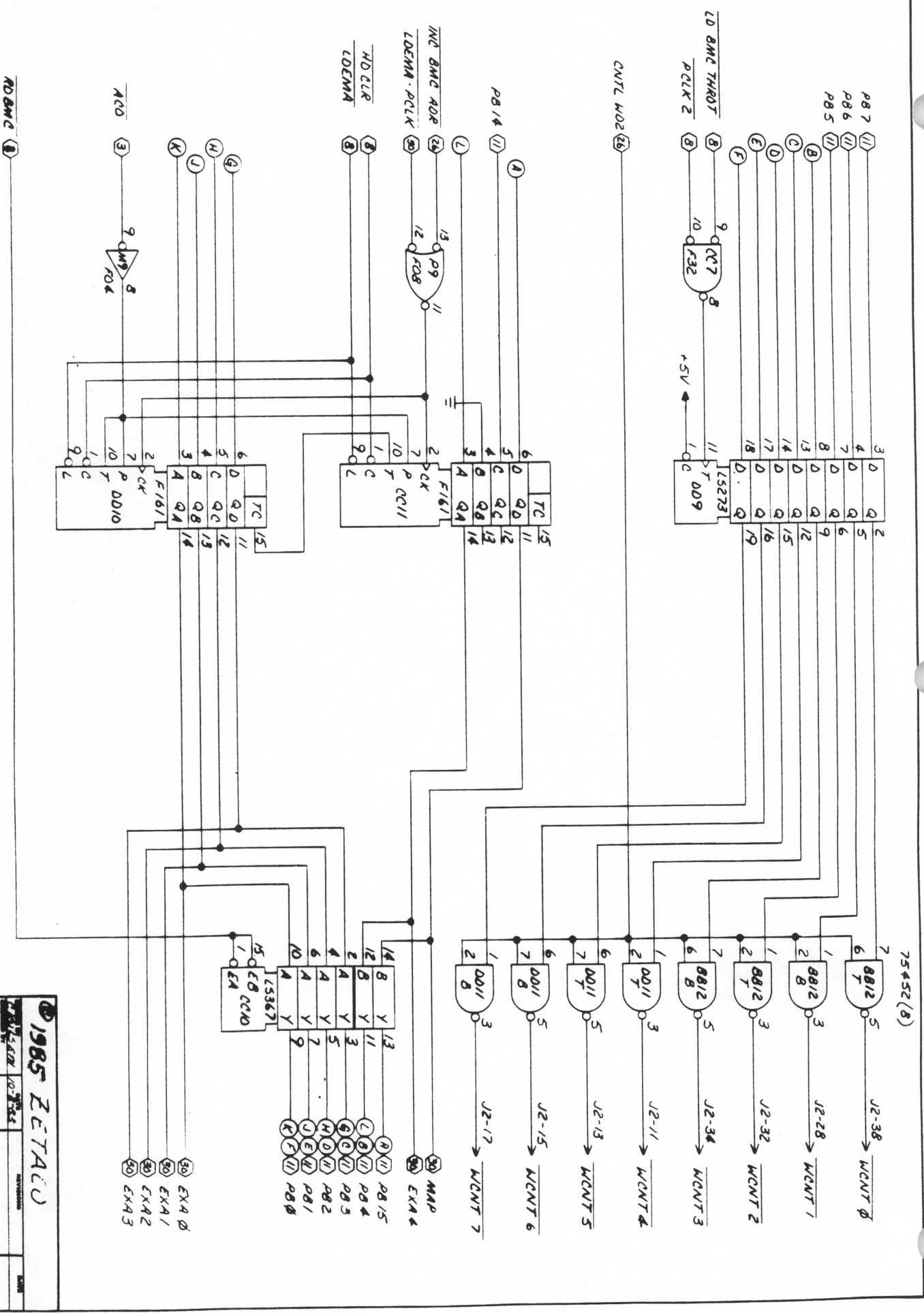
700-276-000

700276-000 B



(SHEET 28)

1985 ZETACO 5-8-85	DATE
DESIGNED BY	APPROVED BY
CHECKED BY	DATE
TITLE HIGH SPEED BUFFER	DRAWING NUMBER 700-276-005



(SHEET 29)

1985 ZETACOR

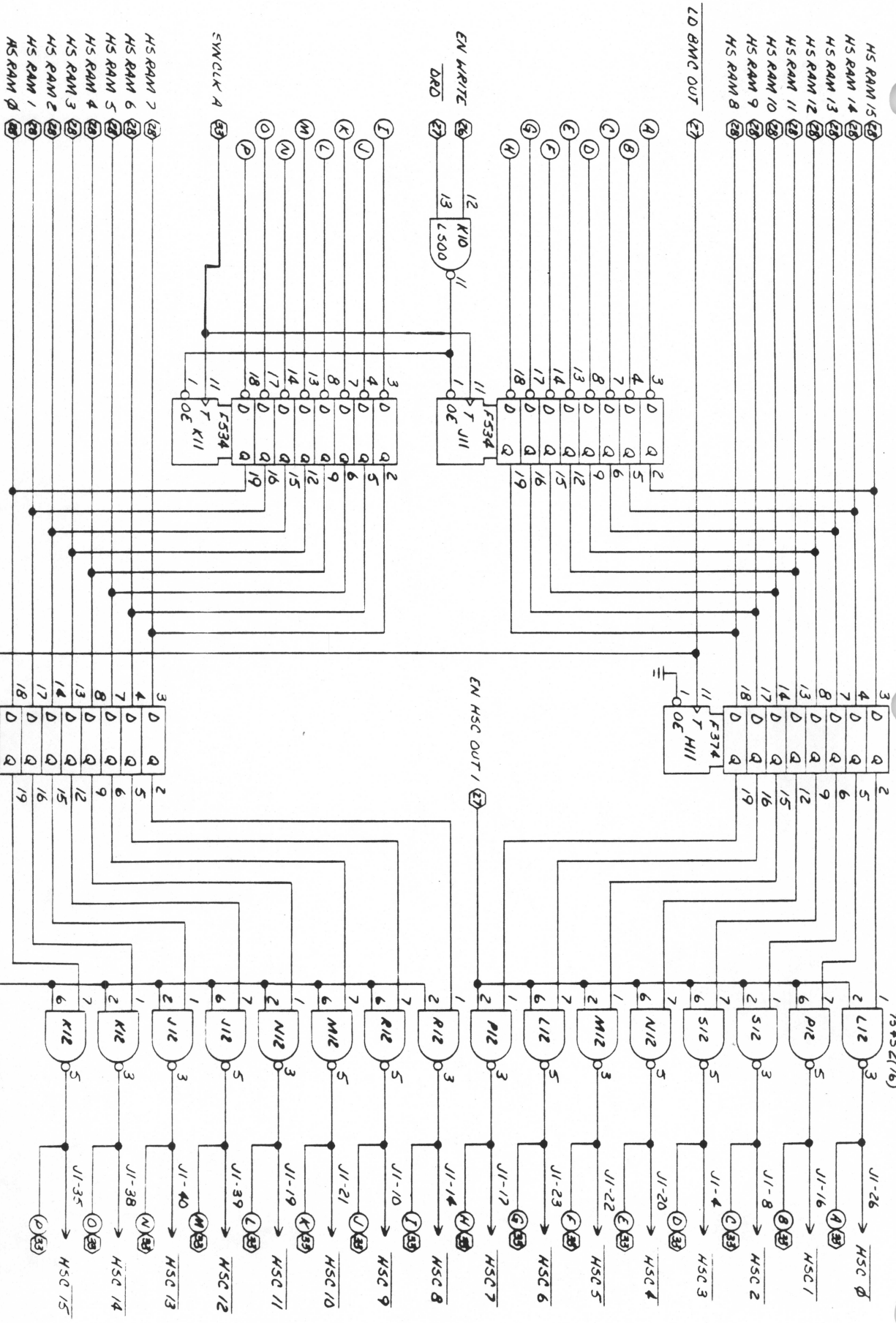
DATE: 10-2-84

DESIGNED BY: [Signature]

CHECKED BY: [Signature]

700-276-000

BMC WORD COUNT

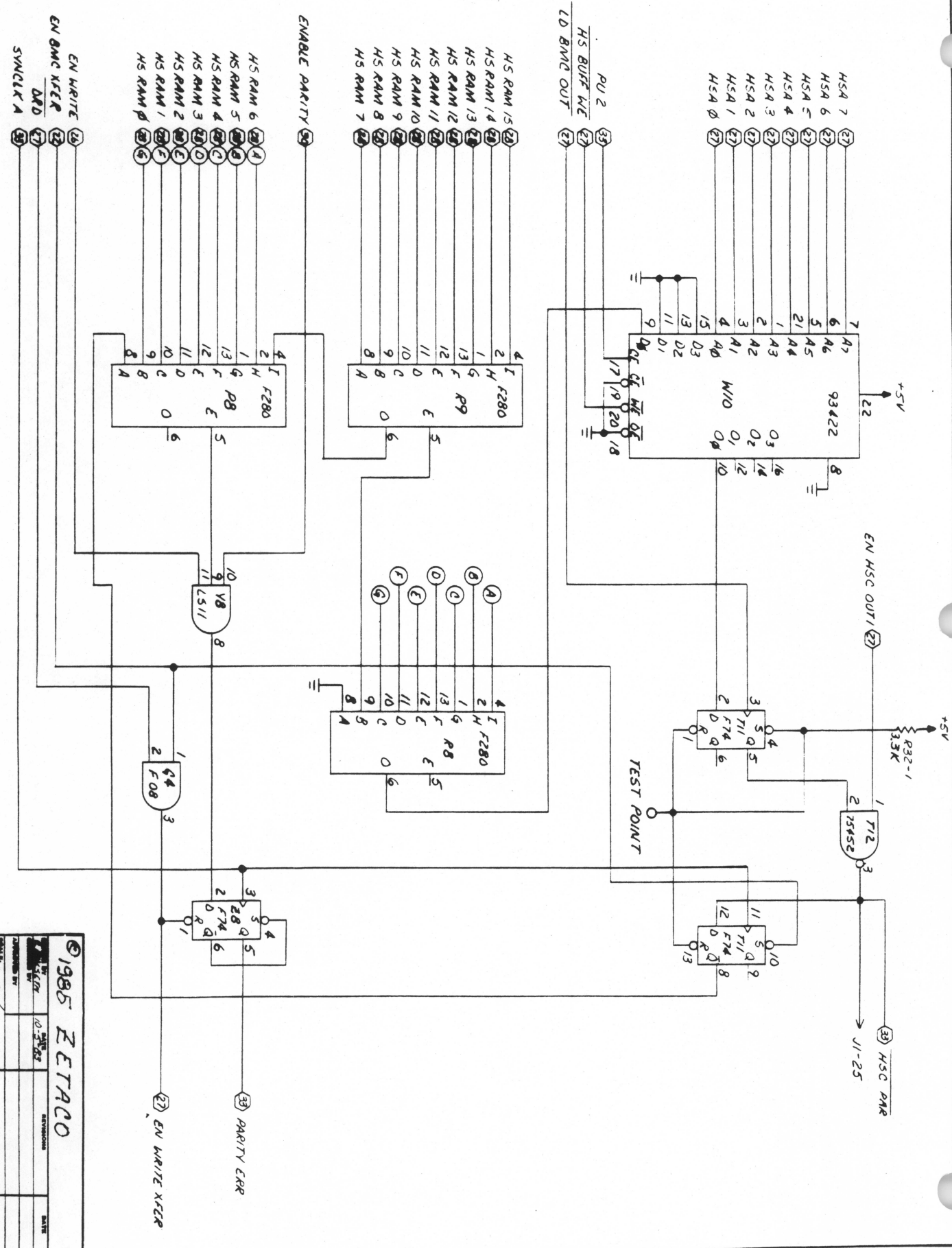


(SHEET 31)

1985 ZETACO

DESIGNER	DATE	REVISION	DATE
WILSON	10-2-83		
CHECKED			
APPROVED			

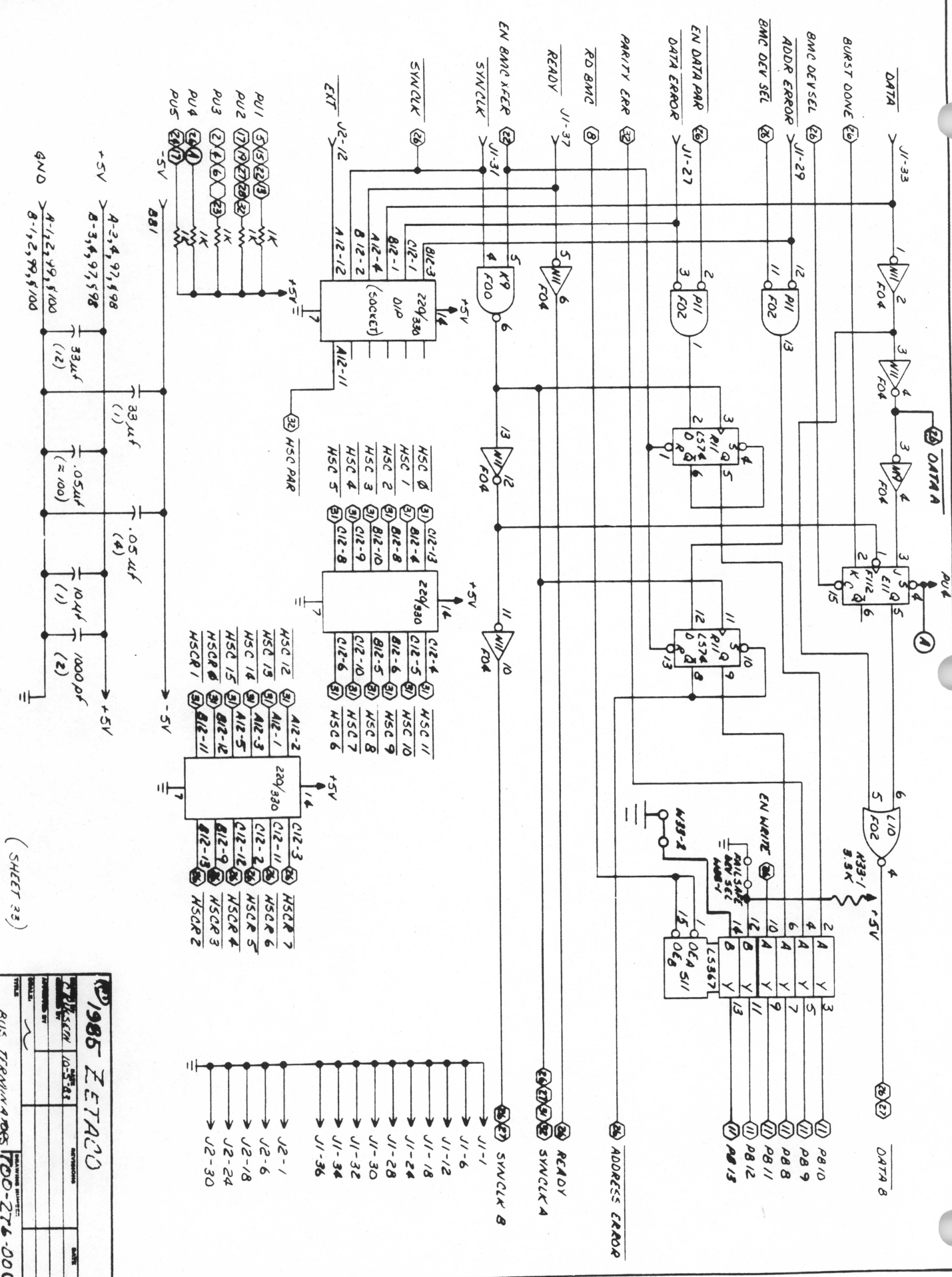
700276-000 B
BMC DATA BUS
700-276-005



(SHEET 32)

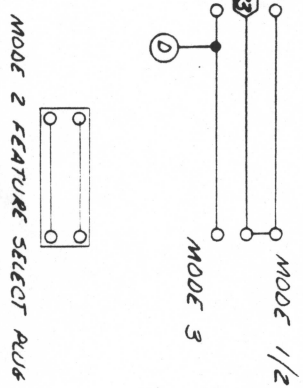
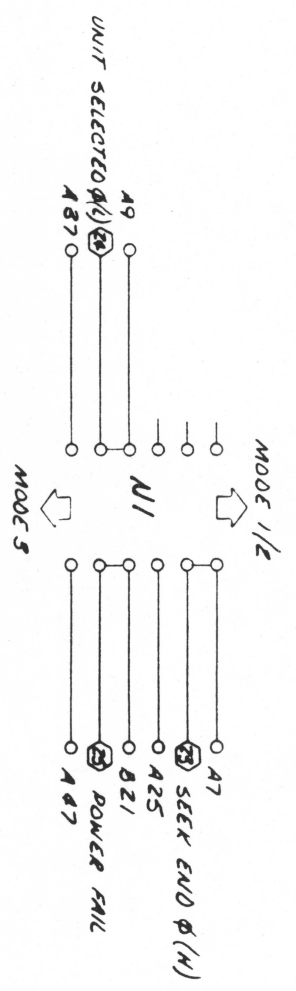
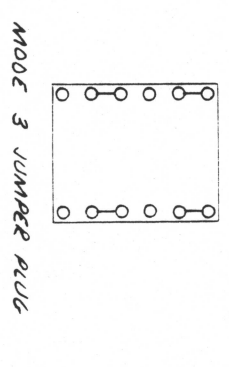
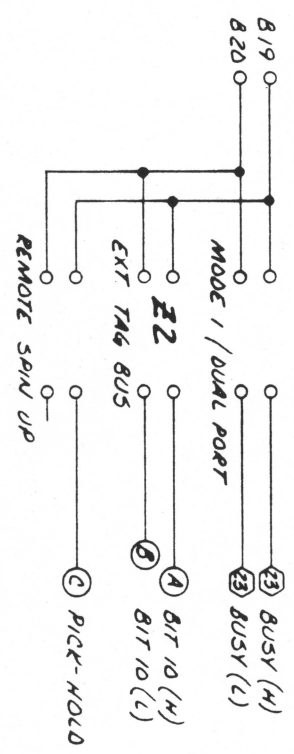
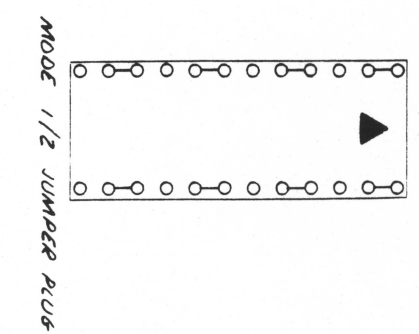
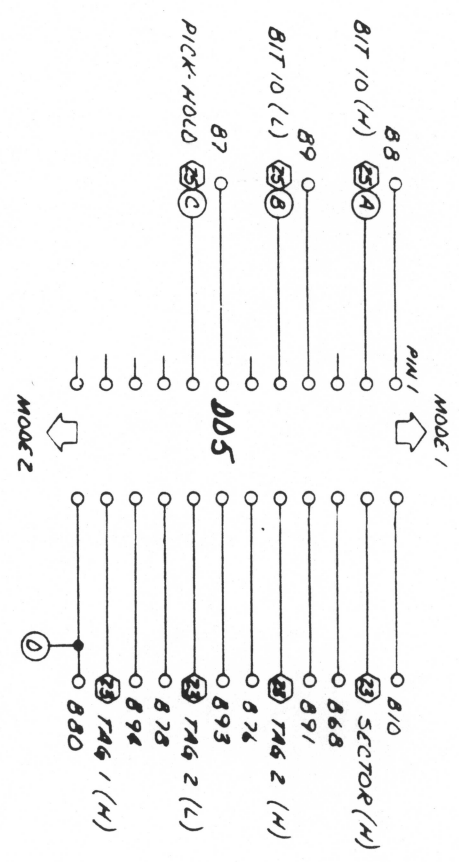
©1985 ZETACO

DATE	REV	BY	CHKD
REVISIONS			
NO.	DATE	BY	REASON
BMC PARITY			
700-276-000			



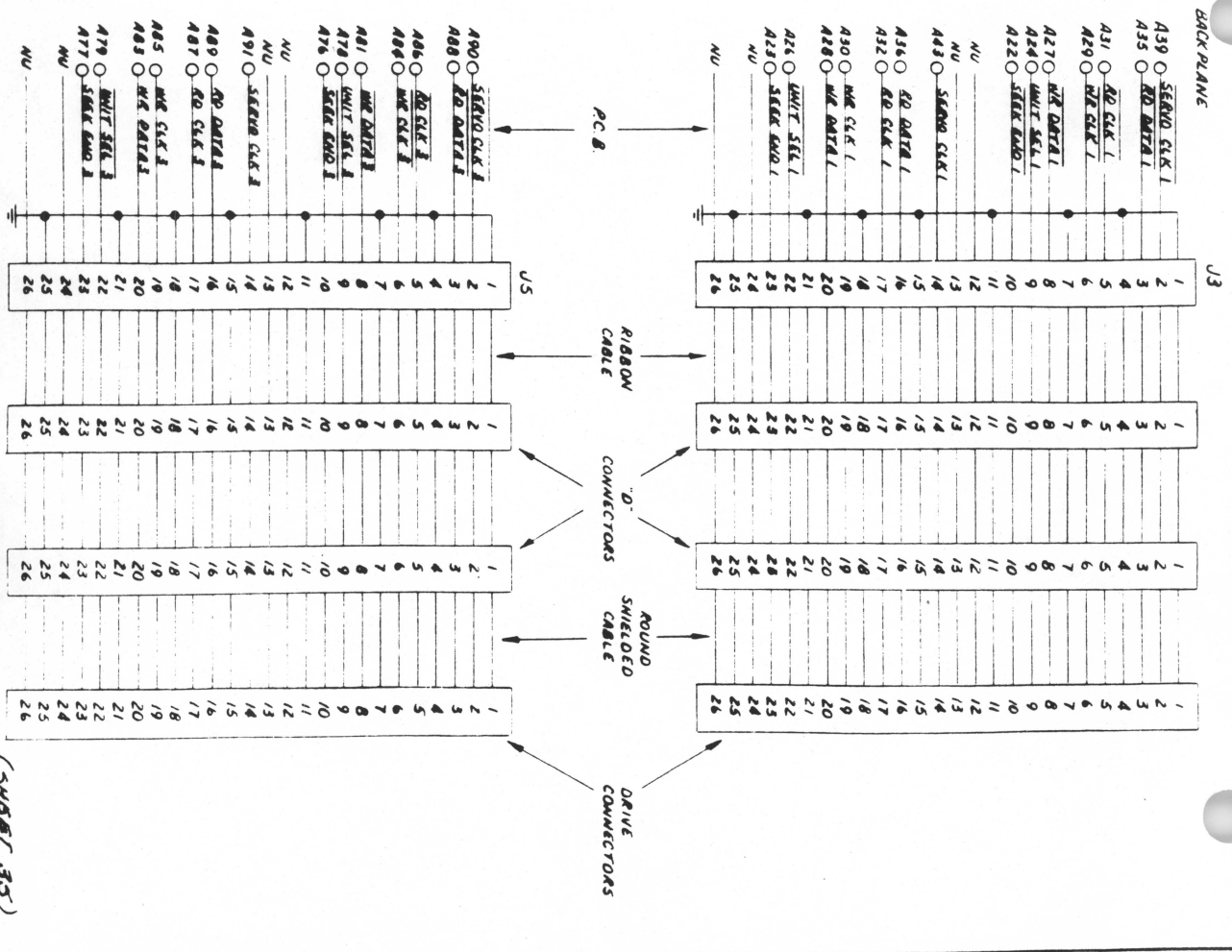
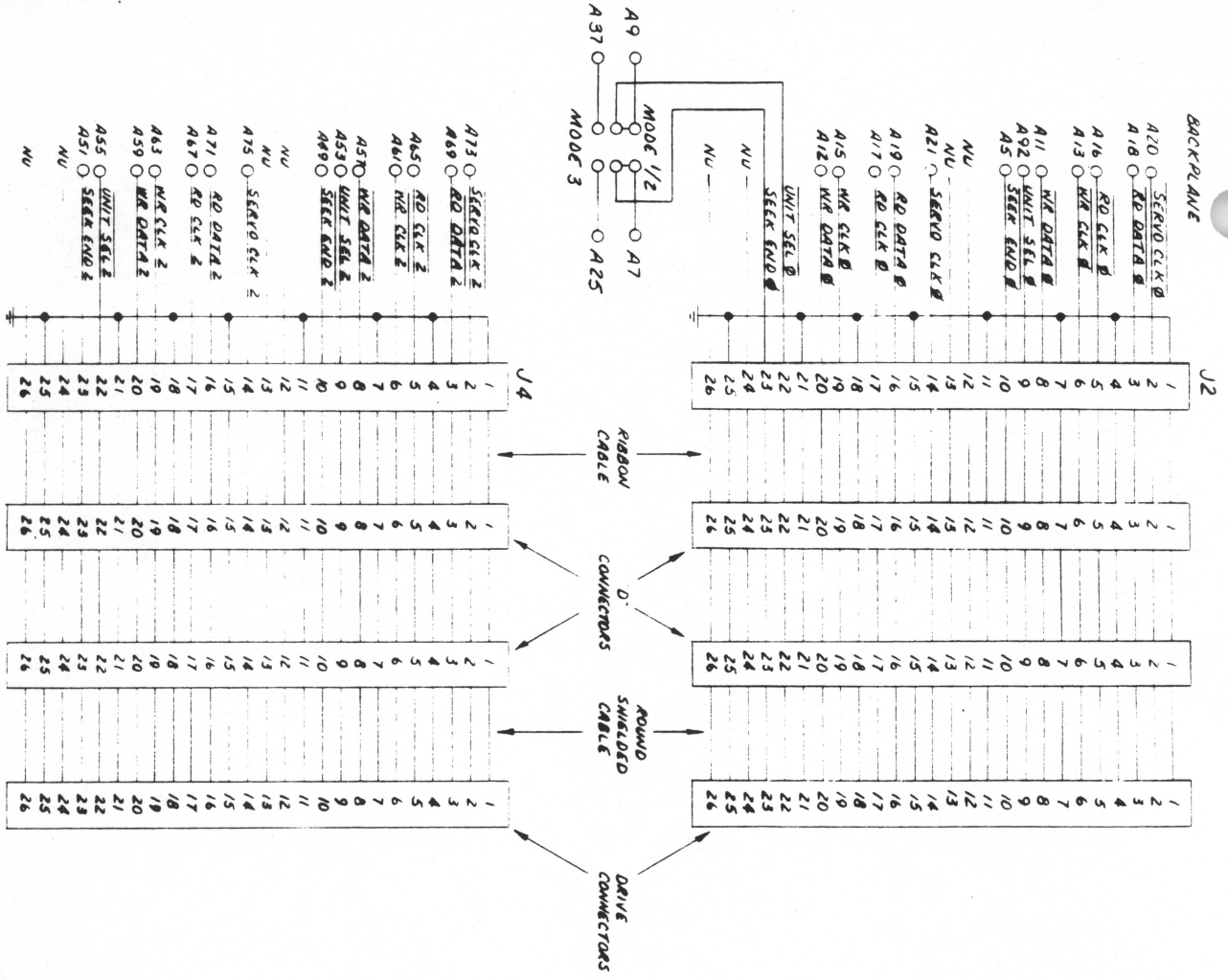
(SHEET 23)

1985 ZETACD	
MANUFACTURER	10-5-81
DATE	
BUS TERMINATORS 700-276-000	



(SHEET 34)

<p>© 1985 ZETACO</p>	
<p>DESIGNED BY GJK 9/28/84</p>	<p>DATE</p>
<p>APPROVED BY</p>	<p>REVISIONS</p>
<p>SCALE</p>	<p>700-276-00C</p>
<p>TITLE</p>	<p>MODE JUMPERS</p>



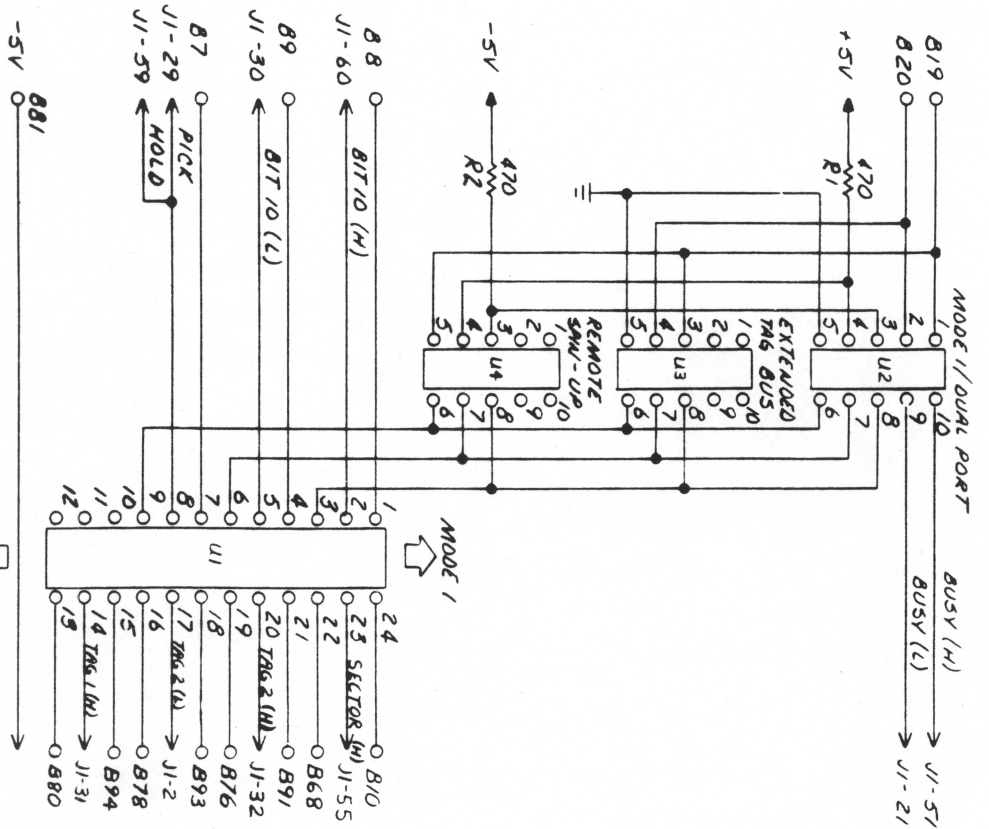
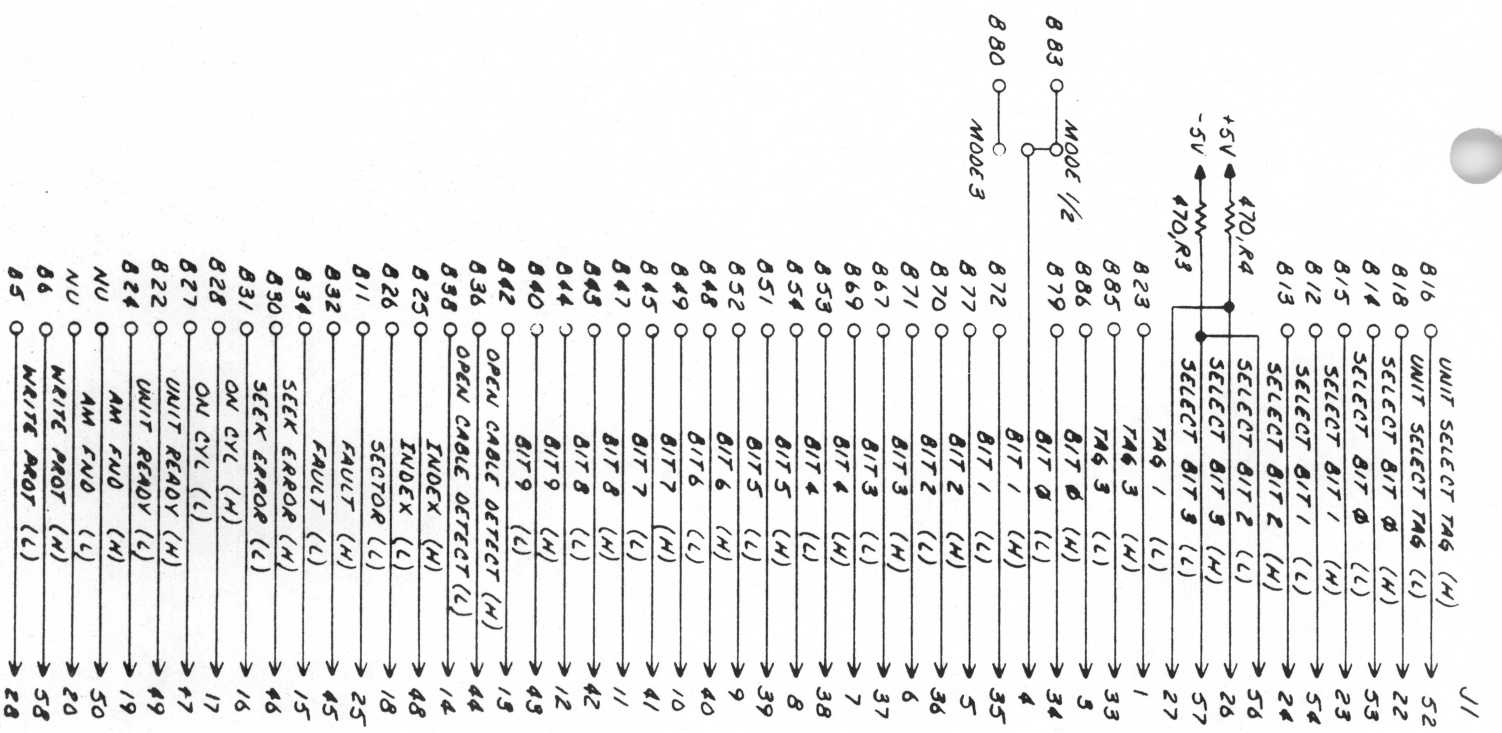
(SHAR 35)

REVISION HISTORY

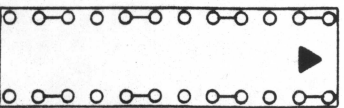
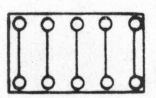
1965 ZETACO

ECO DATE DESCRIPTION

DESIGNED BY	CHK	7-1965
DESIGNED BY		
DATE		
TITLE	DMX-1 "A" MODE 8000-700-276-000	



MODE 2 RETURN
SELECT PUG



(SHEET 36)

DESIGNED BY	CJK
DATE	8-7-81
APPROVED BY	
DATE	
TITLE: DMX-1 '8' MODULE BOARD	
PART NUMBER: 750-276-000	