

EDSI MIGHTY-MUX

310

DATA CHANNEL MULTIPLEXER

SCHEMATICS

HISTORY


The drawings and information contained herein are proprietary to Educational Data Systems and shall not be reproduced, copied, used, or disclosed to others without the prior written consent of Educational Data Systems.

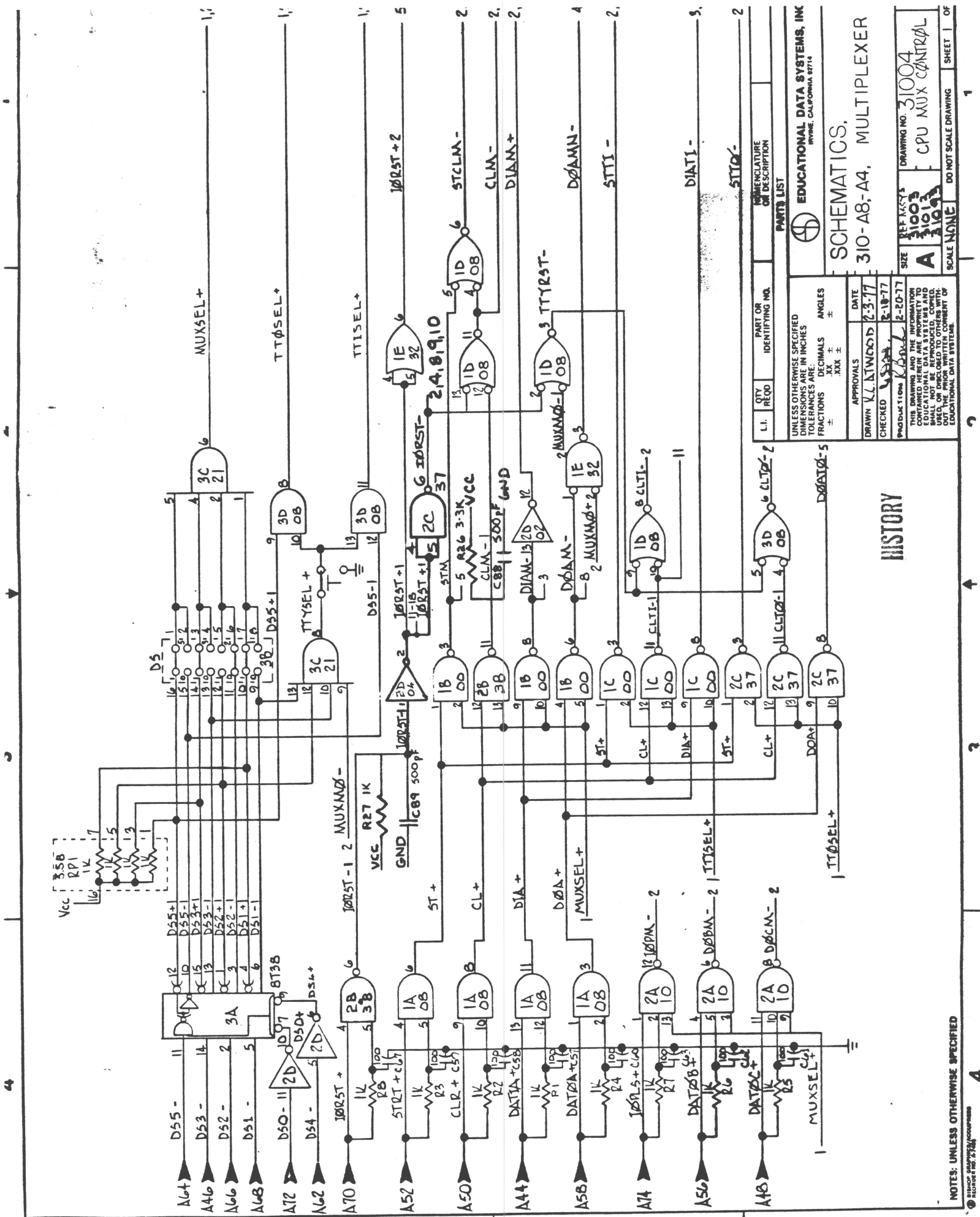
↓

REVISIONS

PART REV.	DOC REV.	DESCRIPTIONS	DATE	APPROVED
A	A	PROTOTYPE		
B	B	REVISED ARTWØRK	8-7-76	<i>Q</i>
	B1	REVISED - DRAWING ERROR	12-11-76	<i>WST</i>
	B2	REVISED FØRMAT	2-18-77	<i>WST</i>
	B3	REVISED PER ECO 023.	7-19-77	<i>WST</i>
C	C	REVISED PER ARTWØRK CHANGE INCORPORATING ECO 43 & ECO 50.	4-28-80	<i>WST</i>
C	C1	REVISED PER ECO 204	4-28-80	<i>WST</i>
C	C2	REVISED PER ECO-319	3-30-81	FV
C	C3	REVISED PER ECO-421	8-14-81	FV
C	C4	REVISED PER ECO-657	10-11-83 11-23-83	<i>R.S. JB</i>
D	D	REVISED PER ECO#468,507,1112 + ARTWØRK CHANGE DCN-0024	9,25.84	<i>WST</i>

HISTORY

APPROVALS	DATE	 <p>EDUCATIONAL DATA SYSTEMS, INC. IRVINE, CALIFORNIA 92714</p>								
DRAWN <i>G. HARKINS</i>	7-19-77									
CHECKED <i>WST</i>	7-25-77									
PRCDUTION <i>WST</i>	8-5-77	<p>SCHEMATIC, 310 - A4, -A8, -DB MULTIPLEXER</p>								
<p>THIS DRAWING AND THE INFORMATION CONTAINED HEREIN ARE PROPRIETY TO EDUCATIONAL DATA SYSTEMS AND SHALL NOT BE REPRODUCED, COPIED, USED, OR DISCLOSED TO OTHERS WITHOUT THE PRIOR WRITTEN CONSENT OF EDUCATIONAL DATA SYSTEMS.</p>		<table border="1" style="width: 100%;"> <tr> <td style="width: 15%;">SIZE</td> <td style="width: 40%;">31003 31013 31093</td> <td style="width: 30%;">DRAWING NO.</td> <td style="width: 15%;">REV</td> </tr> <tr> <td>A</td> <td></td> <td style="text-align: center;">31004</td> <td style="text-align: center;">D</td> </tr> </table>	SIZE	31003 31013 31093	DRAWING NO.	REV	A		31004	D
SIZE	31003 31013 31093	DRAWING NO.	REV							
A		31004	D							



PARTS LIST		APPROVALS		DATE	
QTY	RECD	IDENTIFYING NO.	DATE	DATE	DATE
1				2-3-77	2-10-77
1				2-20-77	

UNLESS OTHERWISE SPECIFIED DIMENSIONS ARE IN INCHES TOLERANCES ARE:		ANGLES	
FRACTIONS	DECIMALS	.XX ±	±
±	±	±	±

PARTS LIST		APPROVALS		DATE	
QTY	RECD	IDENTIFYING NO.	DATE	DATE	DATE
1				2-3-77	2-10-77
1				2-20-77	

UNLESS OTHERWISE SPECIFIED DIMENSIONS ARE IN INCHES TOLERANCES ARE:

FRACTIONS DECIMALS ANGLES

± ± ± ±

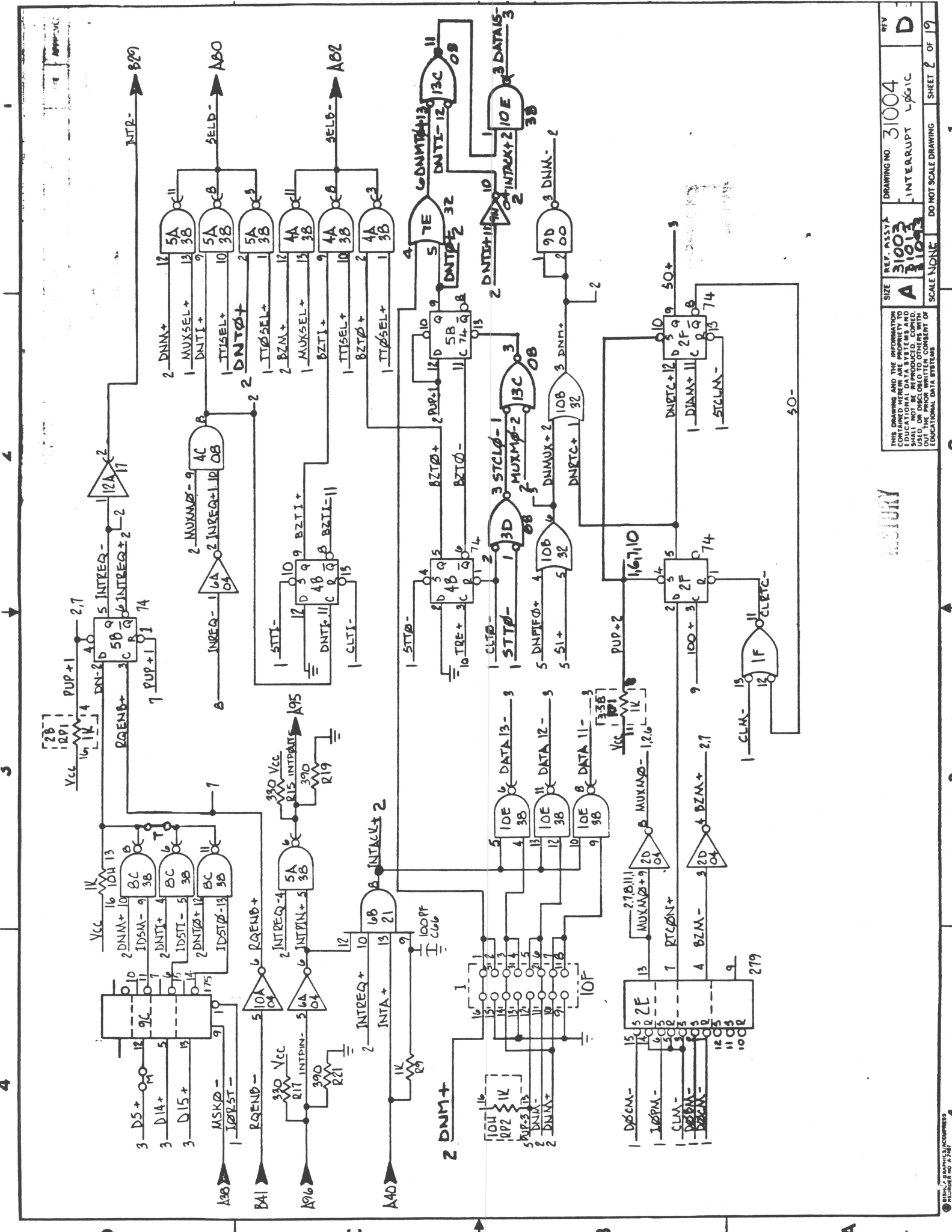
APPROVALS DATE DATE DATE

DRAWN V.C. LITWOOD 2-3-77 2-10-77 2-20-77

CHECKED [Signature] 2-10-77

PRODUCTION [Signature] 2-20-77

THIS DRAWING IS THE PROPERTY OF EDUCATIONAL DATA SYSTEMS AND CONTAINED HEREIN ARE PROPRIETARY TO EDUCATIONAL DATA SYSTEMS. IT IS TO BE USED OR REPRODUCED BY OTHERS WITHOUT THE PRIOR WRITTEN CONSENT OF EDUCATIONAL DATA SYSTEMS.

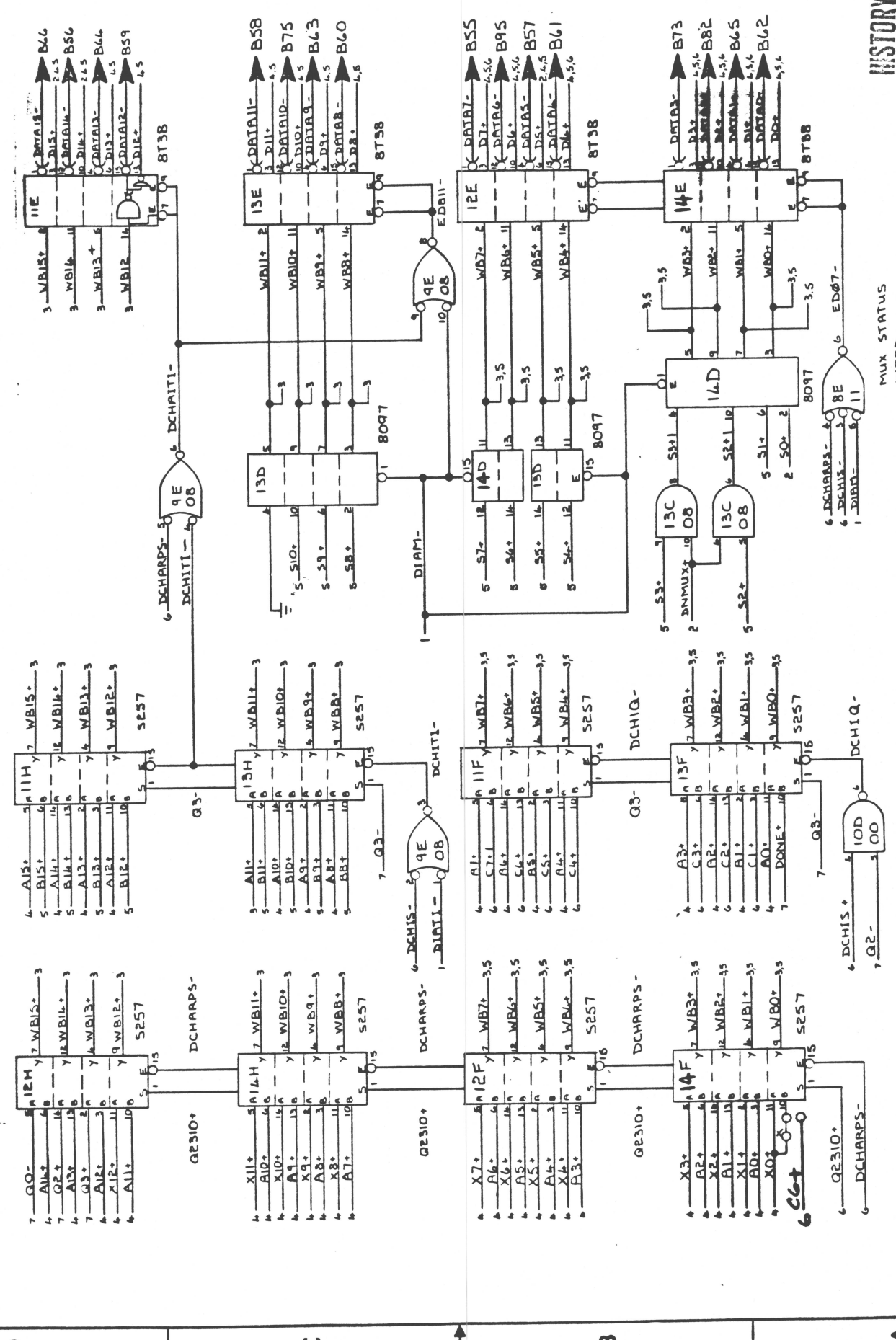


THIS DRAWING AND THE INFORMATION CONTAINED HEREIN ARE UNCLASSIFIED AND SHALL NOT BE REPRODUCED, COPIED, OR DISTRIBUTED WITHOUT THE WRITTEN CONSENT OF EDUCATIONAL DATA SYSTEMS.

REVISION

SIZE REF. ASSY A 31003 31004 DRAWING NO. 31004 INTERRUPT LOGIC SHEET 2 OF 9

EDUCATIONAL DATA SYSTEMS



HISTORY

MUX STATUS WORD

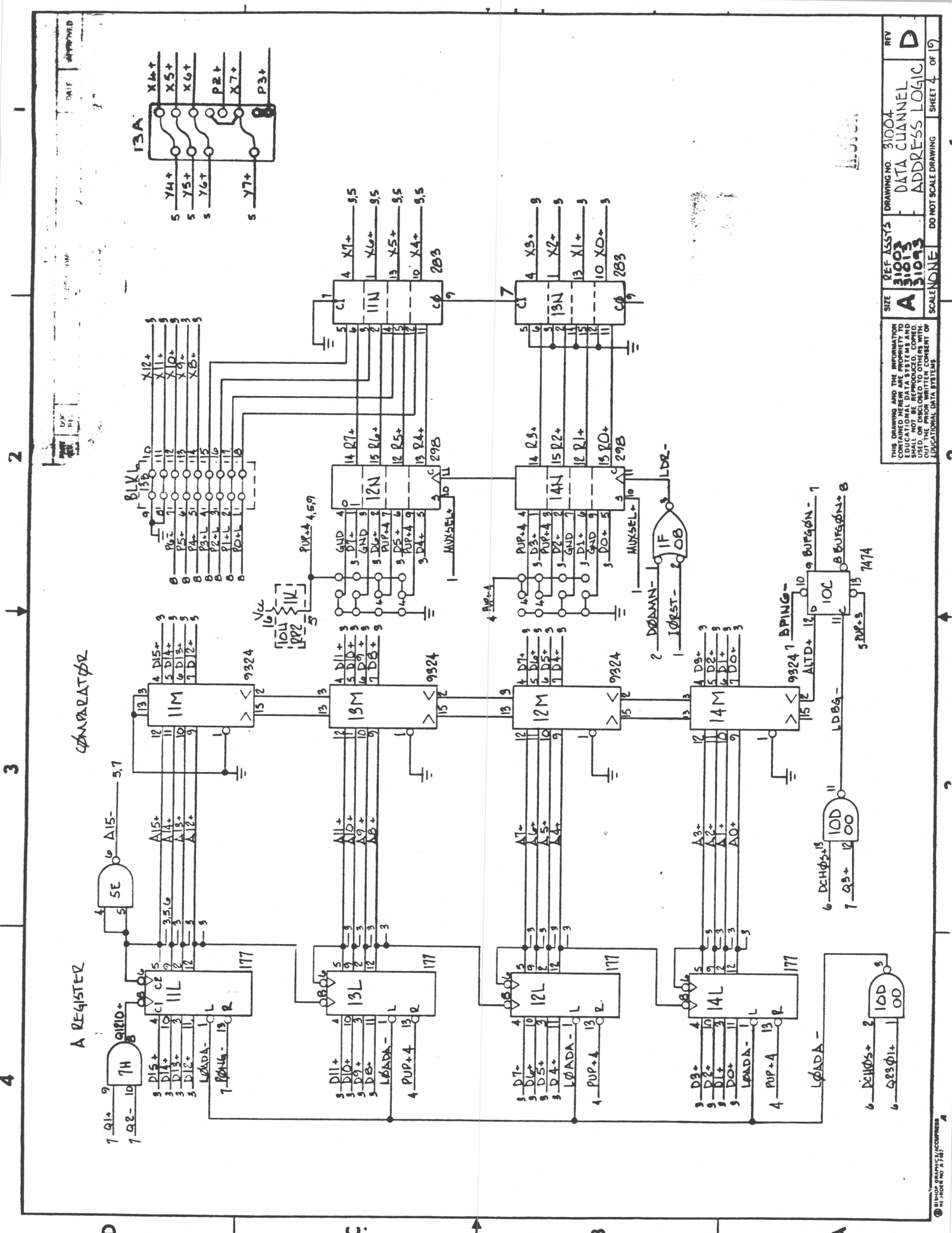
DATA CHANNEL ADDRESS

DATA CHANNEL DATA (SEE ALSO SH #S)

THIS DRAWING AND THE INFORMATION CONTAINED HEREIN ARE PROPERTY TO EDUCATIONAL DATA SYSTEMS AND ARE NOT TO BE REPRODUCED OR TRANSMITTED IN ANY FORM OR BY ANY MEANS, ELECTRONIC OR MECHANICAL, INCLUDING PHOTOCOPYING, RECORDING, OR BY ANY INFORMATION STORAGE AND RETRIEVAL SYSTEM, WITHOUT THE PRIOR WRITTEN CONSENT OF EDUCATIONAL DATA SYSTEMS.

SIZE REF ASSY'S DRAWING NO. 31004 REV D
A 31003
 CPU DATA BUS

SCALE NONE DO NOT SCALE DRAWING SHEET 3 OF 19



DATE APPROVED

REV D

REV 31003 31013 31015

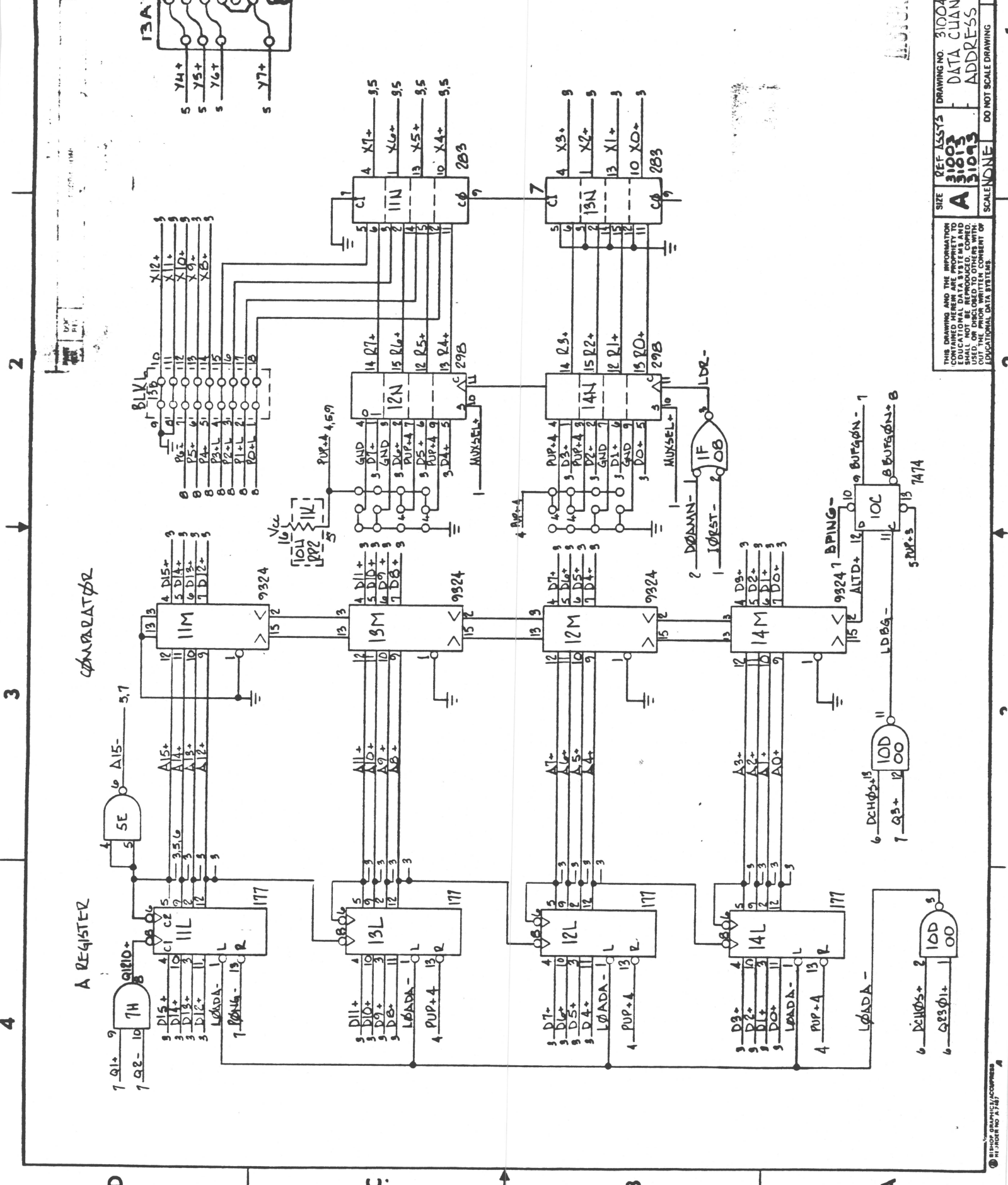
SIZE A

REF ASSTS DRAWING NO. 31004

DATA CHANNEL ADDRESS LOGIC

SCALE NONE DO NOT SCALE DRAWING SHEET 4 OF 9

THIS DRAWING AND THE INFORMATION CONTAINED HEREIN ARE PROPERTY OF LOGICONAL DATA SYSTEMS AND SHALL NOT BE REPRODUCED OR USED, OR DISCLOSED TO OTHERS WITHOUT THE PRIOR WRITTEN CONSENT OF LOGICONAL DATA SYSTEMS.



DATE APPROVED

REV D

REV 31003 31013 31015

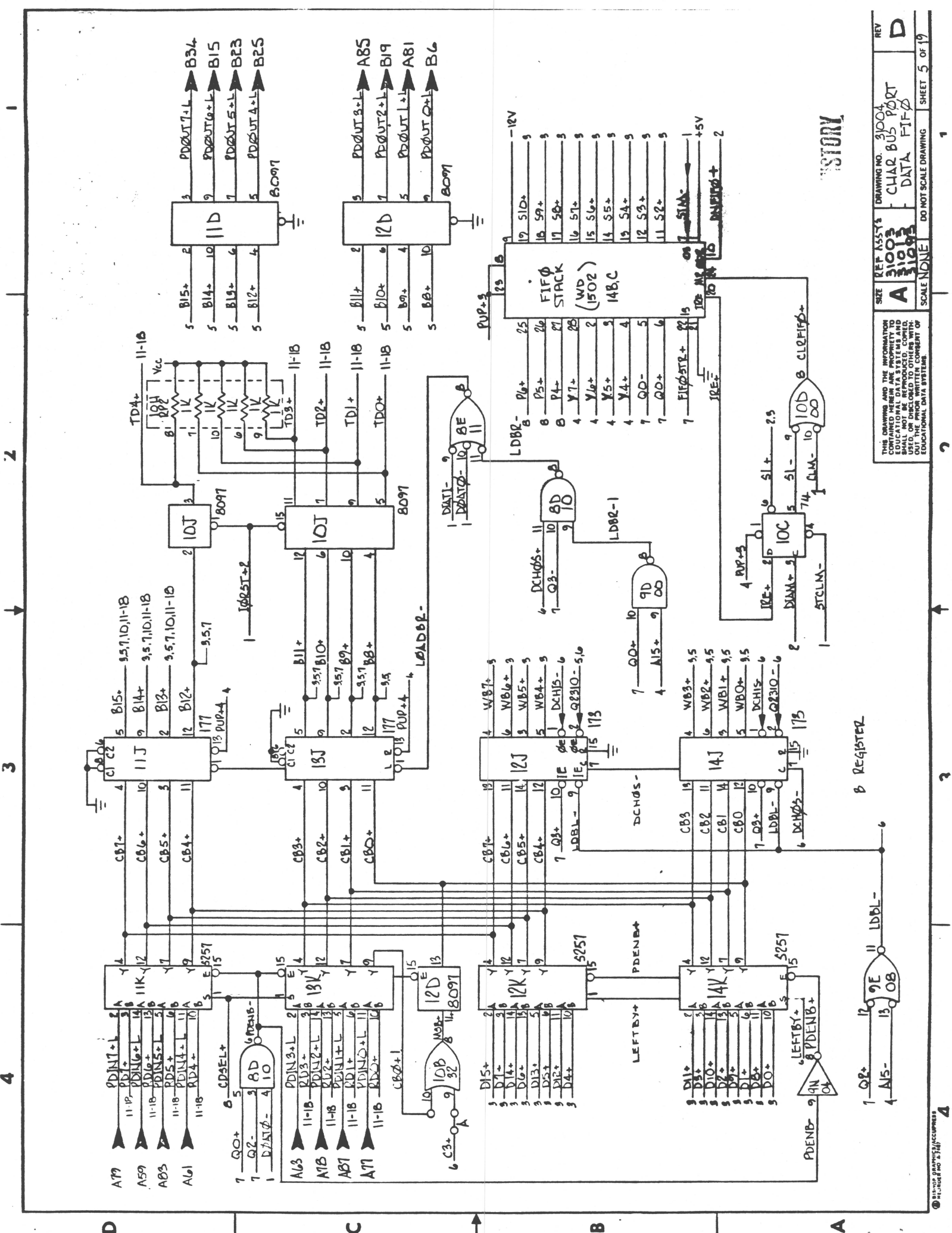
SIZE A

REF ASSTS DRAWING NO. 31004

DATA CHANNEL ADDRESS LOGIC

SCALE NONE DO NOT SCALE DRAWING SHEET 4 OF 9

THIS DRAWING AND THE INFORMATION CONTAINED HEREIN ARE PROPERTY OF LOGICONAL DATA SYSTEMS AND SHALL NOT BE REPRODUCED OR USED, OR DISCLOSED TO OTHERS WITHOUT THE PRIOR WRITTEN CONSENT OF LOGICONAL DATA SYSTEMS.



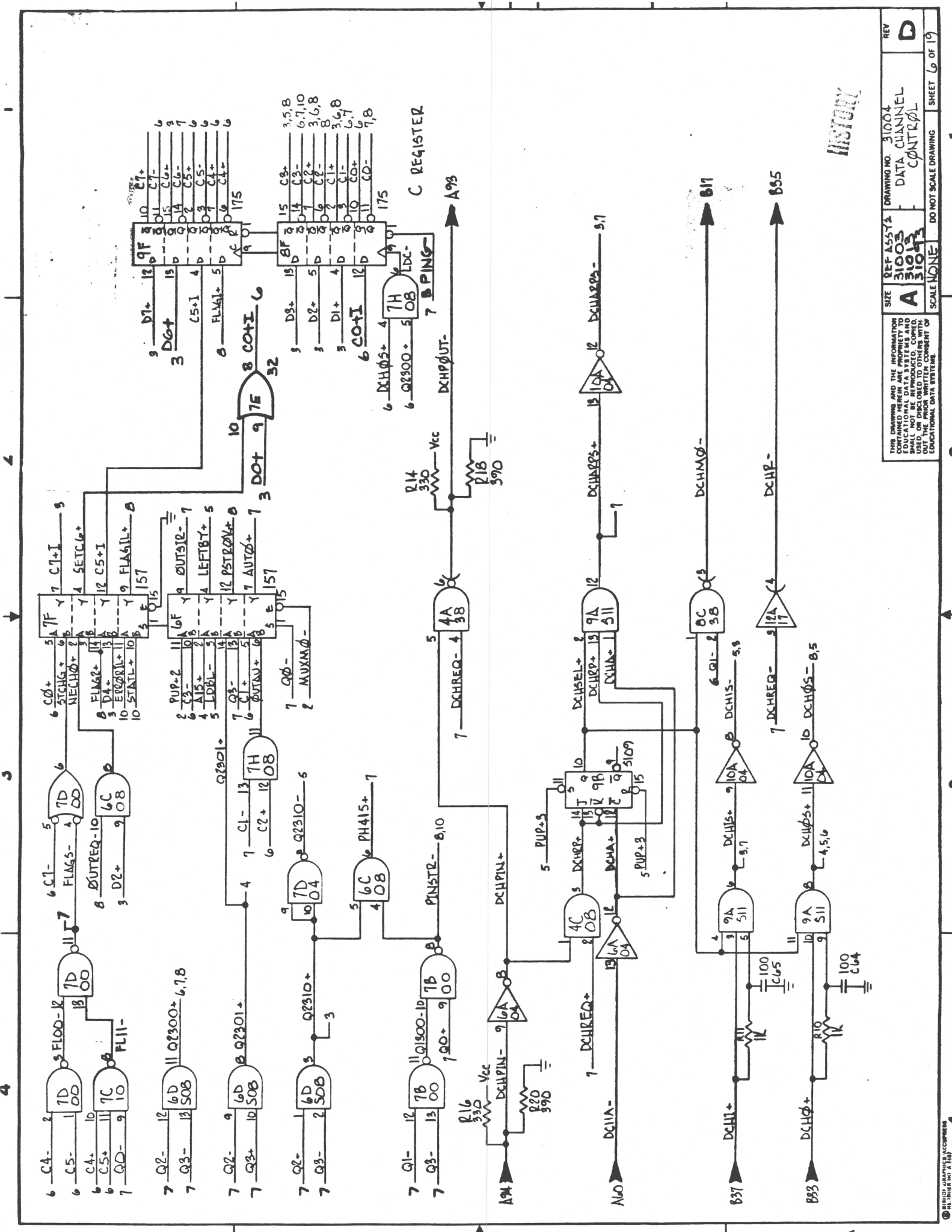
REVISION

REV	D
SHEET	5 OF 19
SCALE	NONE
DO NOT SCALE DRAWING	
DRAWING NO.	31004
CHAR BUS PORT	
DATA FIFO	
SIZE	A
REF ASSYS	31003
SCALE	NONE
DO NOT SCALE DRAWING	

THIS DRAWING AND THE INFORMATION CONTAINED HEREIN ARE PROPERTY TO EDUCATIONAL DATA SYSTEMS AND ARE NOT TO BE REPRODUCED OR TRANSMITTED IN ANY FORM OR BY ANY MEANS, ELECTRONIC OR MECHANICAL, INCLUDING PHOTOCOPYING, RECORDING, OR BY ANY INFORMATION STORAGE AND RETRIEVAL SYSTEMS. WITHOUT THE PRIOR WRITTEN CONSENT OF EDUCATIONAL DATA SYSTEMS.

4 3 2 1

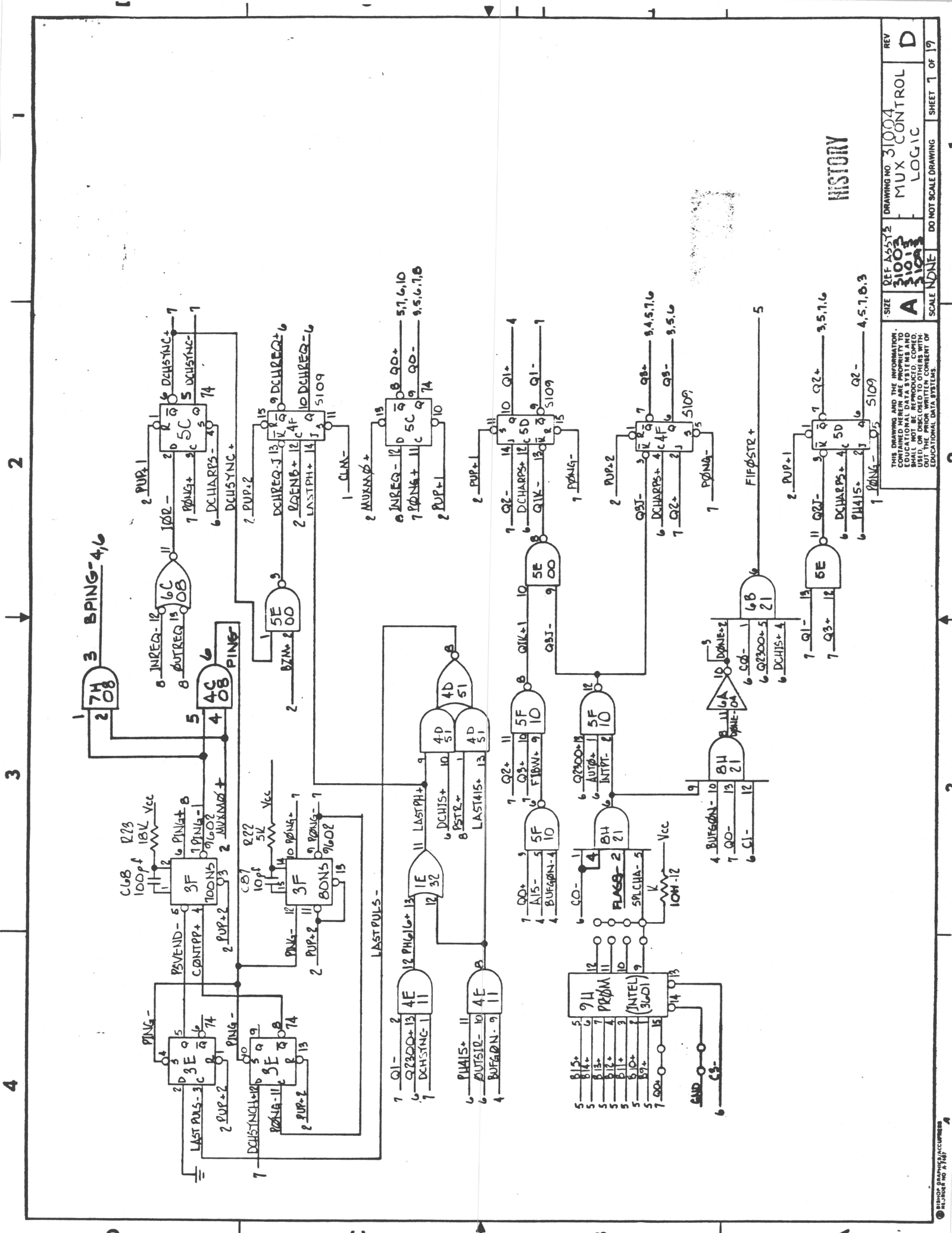
D C B A



REV	D
DRAWING NO.	31004
DATA CHANNEL CONTROL	
SCALE	NONE
DO NOT SCALE DRAWING	
SHEET	6 OF 19

THIS DRAWING AND THE INFORMATION CONTAINED HEREIN ARE UNCLASSIFIED EXCEPT WHERE SHOWN OTHERWISE. DATE OF DECLASSIFICATION IS INDEFINITE. THIS DRAWING IS THE PROPERTY OF THE UNITED STATES GOVERNMENT AND IS LOANED TO YOU. IT AND ITS CONTENTS ARE NOT TO BE DISTRIBUTED OUTSIDE YOUR AGENCY WITHOUT THE PRIOR WRITTEN CONSENT OF THE HEADQUARTERS, AIR FORCE SYSTEMS COMMAND, RANDOLPH AIR FORCE BASE, TEXAS.

11/10/71



HISTORY

REV	REV D
DRAWING NO.	31004
MUX CONTROL	LOGIC
SCALE	NONE
DO NOT SCALE DRAWING	SHEET 1 OF 19

THIS DRAWING AND THE INFORMATION CONTAINED HEREIN ARE PROPERTY OF LOGICOM, INC. AND ARE NOT TO BE USED, REPRODUCED, COPIED, OR DISCLOSED TO OTHERS WITHOUT THE PRIOR WRITTEN CONSENT OF LOGICOM, INC. DATE: 11/11/88

SIZE: REF A5573
 31003
 31004
 31005

THIS DRAWING AND THE INFORMATION CONTAINED HEREIN ARE PROPERTY OF LOGICOM, INC. AND ARE NOT TO BE USED, REPRODUCED, COPIED, OR DISCLOSED TO OTHERS WITHOUT THE PRIOR WRITTEN CONSENT OF LOGICOM, INC. DATE: 11/11/88

SIZE: REF A5573
 31003
 31004
 31005

THIS DRAWING AND THE INFORMATION CONTAINED HEREIN ARE PROPERTY OF LOGICOM, INC. AND ARE NOT TO BE USED, REPRODUCED, COPIED, OR DISCLOSED TO OTHERS WITHOUT THE PRIOR WRITTEN CONSENT OF LOGICOM, INC. DATE: 11/11/88

SIZE: REF A5573
 31003
 31004
 31005

THIS DRAWING AND THE INFORMATION CONTAINED HEREIN ARE PROPERTY OF LOGICOM, INC. AND ARE NOT TO BE USED, REPRODUCED, COPIED, OR DISCLOSED TO OTHERS WITHOUT THE PRIOR WRITTEN CONSENT OF LOGICOM, INC. DATE: 11/11/88

SIZE: REF A5573
 31003
 31004
 31005

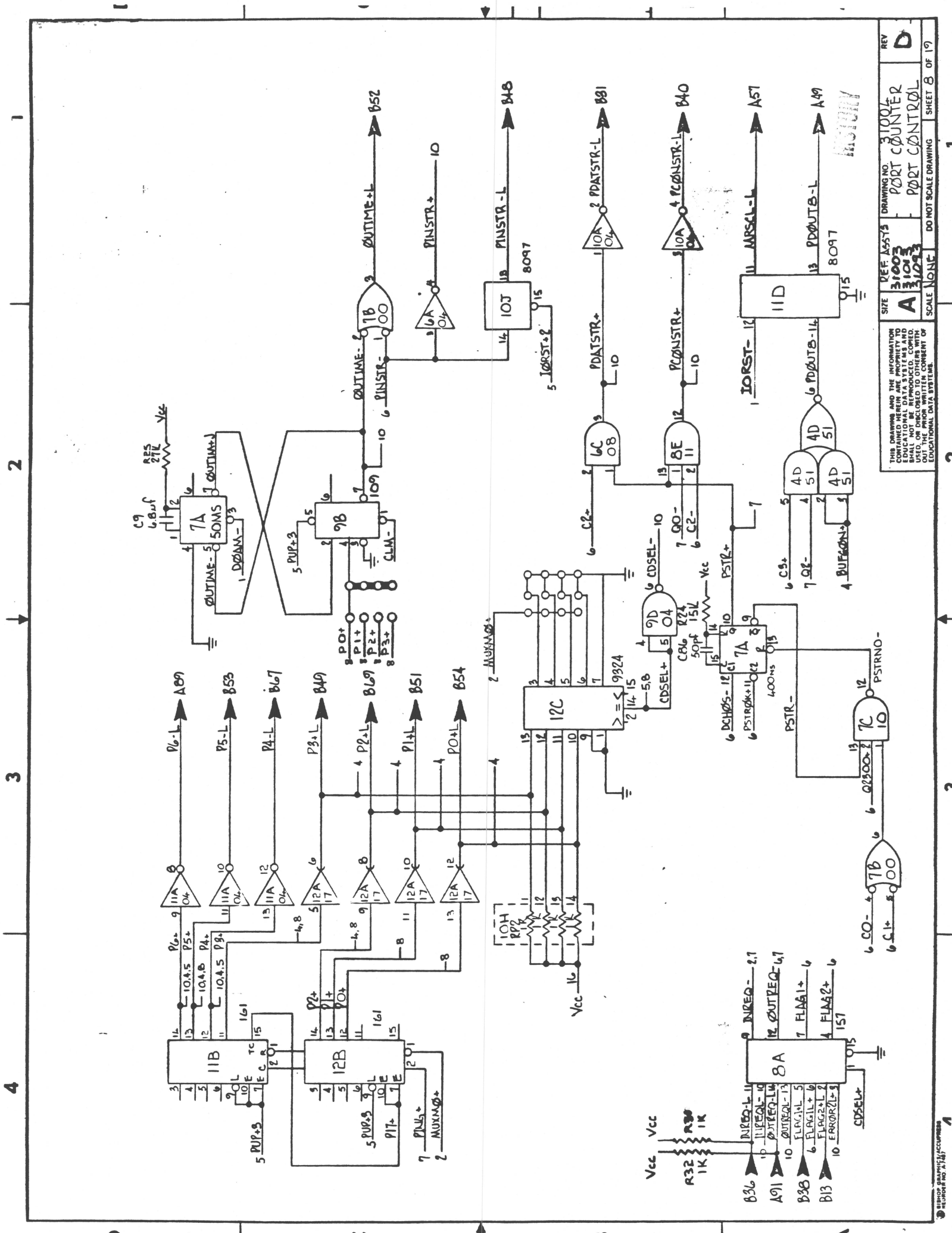
THIS DRAWING AND THE INFORMATION CONTAINED HEREIN ARE PROPERTY OF LOGICOM, INC. AND ARE NOT TO BE USED, REPRODUCED, COPIED, OR DISCLOSED TO OTHERS WITHOUT THE PRIOR WRITTEN CONSENT OF LOGICOM, INC. DATE: 11/11/88

SIZE: REF A5573
 31003
 31004
 31005

THIS DRAWING AND THE INFORMATION CONTAINED HEREIN ARE PROPERTY OF LOGICOM, INC. AND ARE NOT TO BE USED, REPRODUCED, COPIED, OR DISCLOSED TO OTHERS WITHOUT THE PRIOR WRITTEN CONSENT OF LOGICOM, INC. DATE: 11/11/88

SIZE: REF A5573
 31003
 31004
 31005

THIS DRAWING AND THE INFORMATION CONTAINED HEREIN ARE PROPERTY OF LOGICOM, INC. AND ARE NOT TO BE USED, REPRODUCED, COPIED, OR DISCLOSED TO OTHERS WITHOUT THE PRIOR WRITTEN CONSENT OF LOGICOM, INC. DATE: 11/11/88

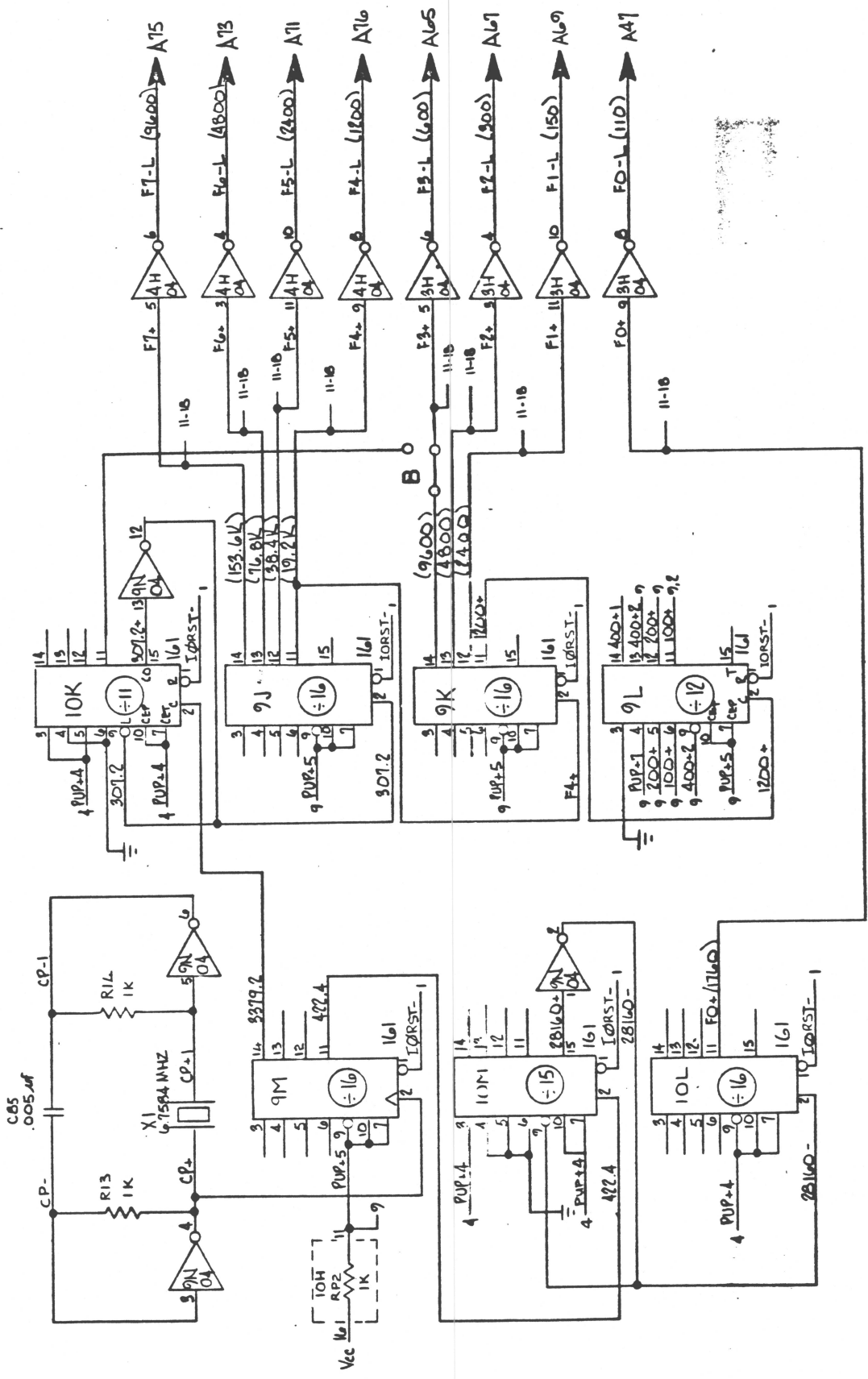


REV	D
31003	PORT COUNTER
31003	PORT CONTROL
31003	PORT CONTROL
SIZE	A
DEF	AS573
DRAWING NO	31003
SCALE	NONE
DO NOT SCALE DRAWING	
SHEET	8 OF 19

THIS DRAWING AND THE INFORMATION CONTAINED HEREIN ARE PROPERTY AND SHALL NOT BE REPRODUCED, COPIED, USED, OR DISCLOSED TO OTHERS WITHOUT THE WRITTEN PERMISSION OF EDUCATIONAL DATA SYSTEMS.

EDUCATIONAL DATA SYSTEMS
 31003 PORT COUNTER PORT CONTROL
 REVISION NO. A.141

1 2 3 4

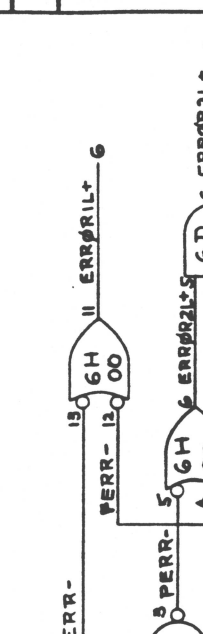
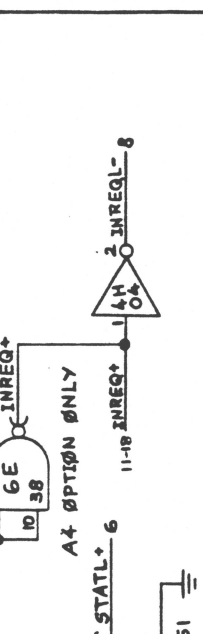
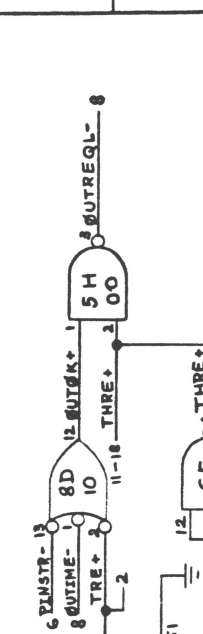
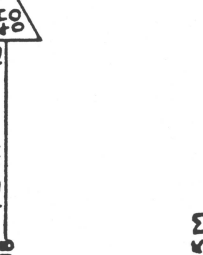
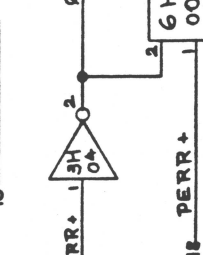
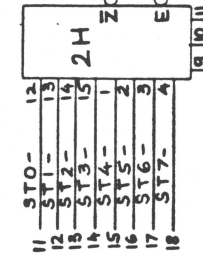
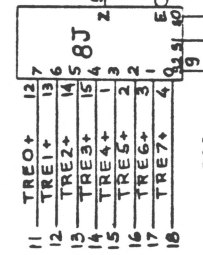
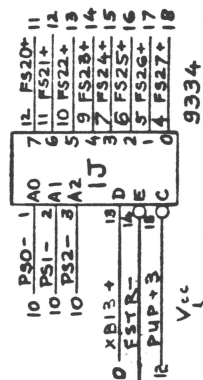
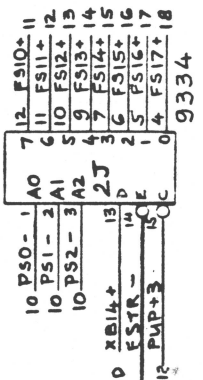
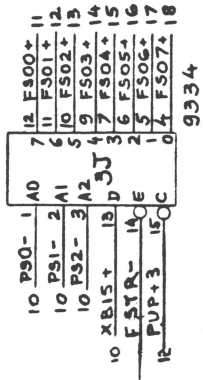
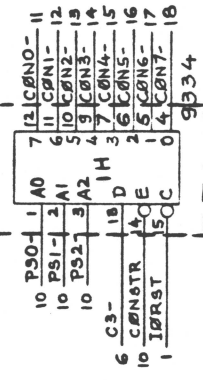
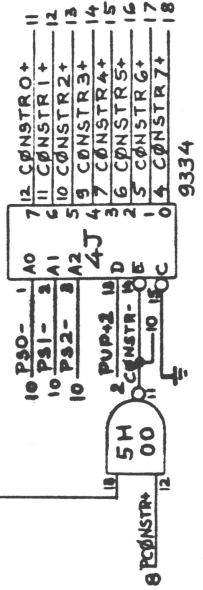
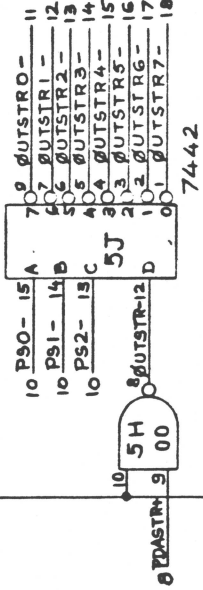
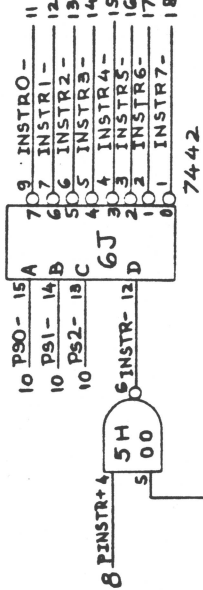
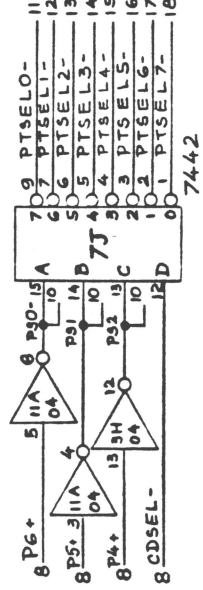


HISTORY

REV	D	SHEET	9 OF 19
DRAWING NO.	31004	DO NOT SCALE DRAWING	
DESCRIPTION	FREQUENCY GENERATOR		
SIZE	A	SCALE	NONE
REF	A5573		
31003			

THIS DRAWING AND THE INFORMATION CONTAINED HEREIN ARE PROPERTY OF THE UNIVERSITY OF MICHIGAN. IT IS TO BE USED, OR DECLARED TO OTHERS WITH THE WRITTEN PERMISSION OF THE UNIVERSITY OF MICHIGAN LIBRARY OF EDUCATIONAL DATA SYSTEMS.

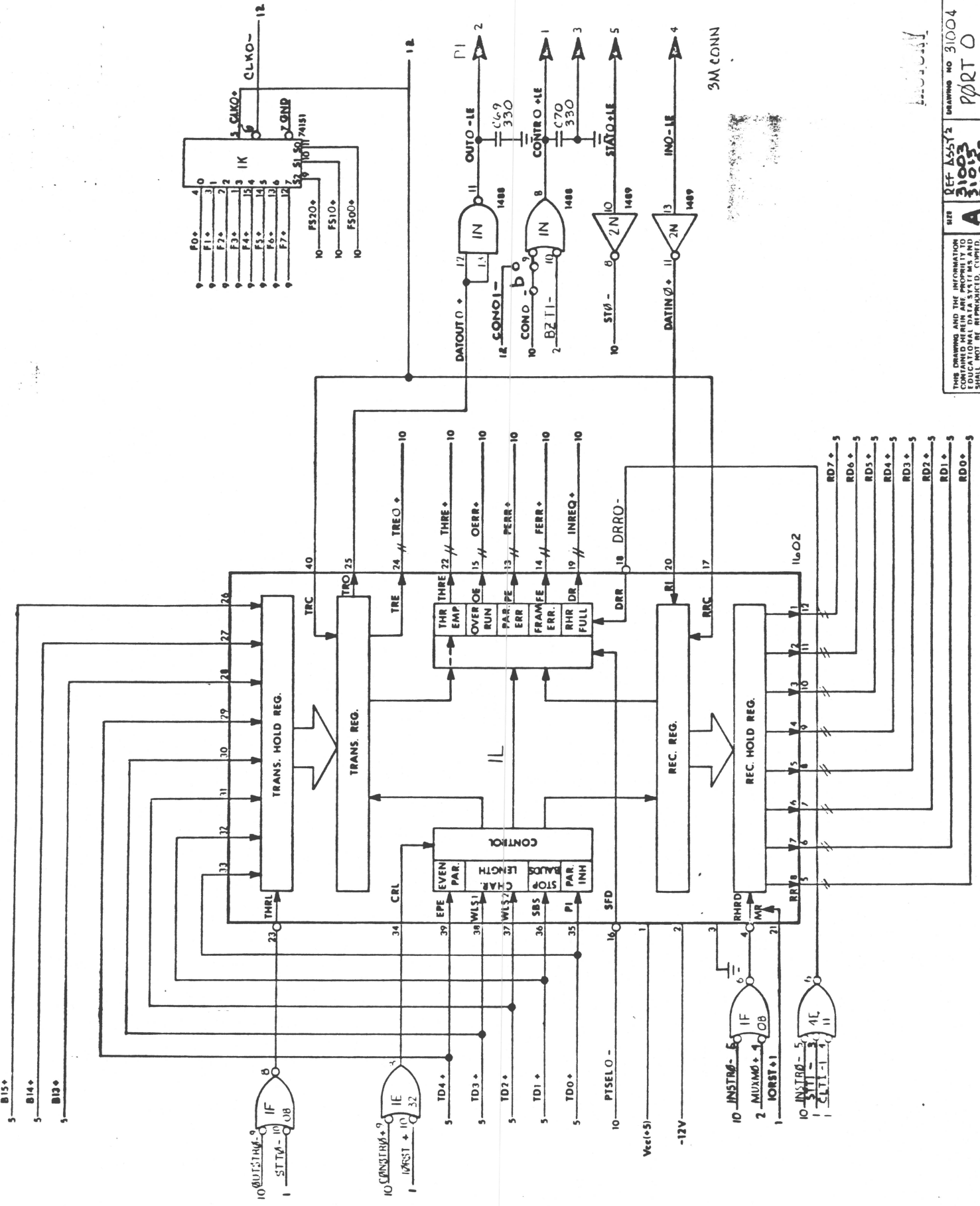
FOR ISOCRONOUS OPTION, REMOVE 1H.



REVISION

REV	D
SIZE	A
DATE	3/10/73
DESIGNER	31003
DRAWING NO.	31004
PROJECT	ON BOARD PORTS COMMON LOGIC
SHEET	10 OF 19
SCALE	NONE
DO NOT SCALE DRAWING	

THIS DRAWING AND THE INFORMATION CONTAINED HEREIN ARE PROPERTY OF MOTOROLA AND ARE TO BE USED, REPRODUCED, COPIED, OR DISCLOSED TO OTHERS WITHOUT THE WRITTEN CONSENT OF MOTOROLA. A FAILURE TO OBTAIN SUCH CONSENT MAY RESULT IN CIVIL AND CRIMINAL PENALTIES.



5 B15+
 5 B14+
 5 B13+
 10 B12+
 10 B11+
 10 B10+
 10 B9+
 10 B8+
 10 B7+
 10 B6+
 10 B5+
 10 B4+
 10 B3+
 10 B2+
 10 B1+
 10 B0+

10 INSTR0-5
 10 INSTR1-4
 10 INSTR2-3
 10 INSTR3-2
 10 INSTR4-1
 10 INSTR5-0
 10 INSTR6-5
 10 INSTR7-4
 10 INSTR8-3
 10 INSTR9-2
 10 INSTR10-1
 10 INSTR11-0

10 INSTR12-9
 10 INSTR13-8
 10 INSTR14-7
 10 INSTR15-6
 10 INSTR16-5
 10 INSTR17-4
 10 INSTR18-3
 10 INSTR19-2
 10 INSTR20-1
 10 INSTR21-0

10 INSTR22-9
 10 INSTR23-8
 10 INSTR24-7
 10 INSTR25-6
 10 INSTR26-5
 10 INSTR27-4
 10 INSTR28-3
 10 INSTR29-2
 10 INSTR30-1
 10 INSTR31-0

10 INSTR32-9
 10 INSTR33-8
 10 INSTR34-7
 10 INSTR35-6
 10 INSTR36-5
 10 INSTR37-4
 10 INSTR38-3
 10 INSTR39-2
 10 INSTR40-1
 10 INSTR41-0

10 INSTR42-9
 10 INSTR43-8
 10 INSTR44-7
 10 INSTR45-6
 10 INSTR46-5
 10 INSTR47-4
 10 INSTR48-3
 10 INSTR49-2
 10 INSTR50-1
 10 INSTR51-0

10 INSTR52-9
 10 INSTR53-8
 10 INSTR54-7
 10 INSTR55-6
 10 INSTR56-5
 10 INSTR57-4
 10 INSTR58-3
 10 INSTR59-2
 10 INSTR60-1
 10 INSTR61-0

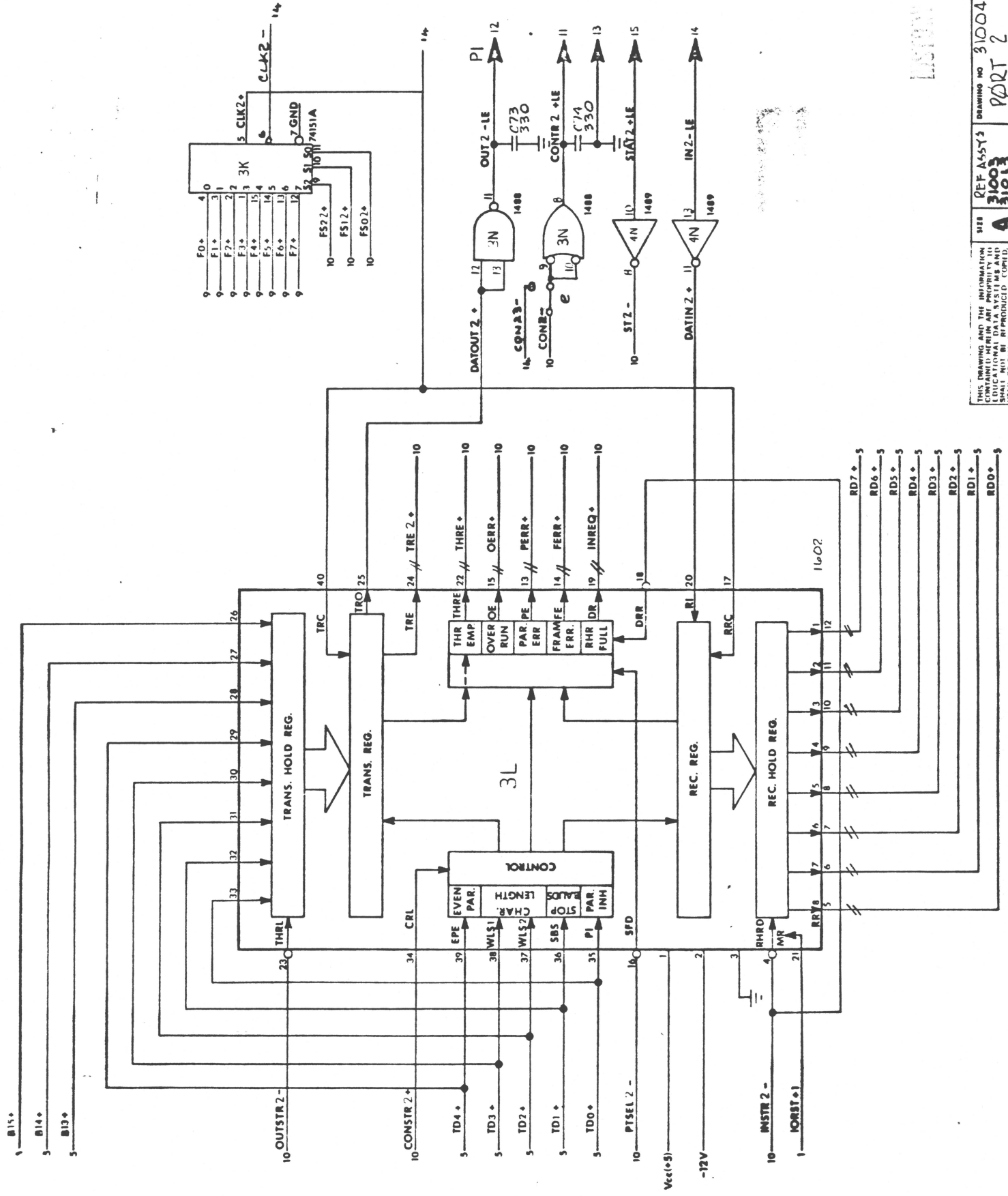
10 INSTR62-9
 10 INSTR63-8
 10 INSTR64-7
 10 INSTR65-6
 10 INSTR66-5
 10 INSTR67-4
 10 INSTR68-3
 10 INSTR69-2
 10 INSTR70-1
 10 INSTR71-0

10 INSTR72-9
 10 INSTR73-8
 10 INSTR74-7
 10 INSTR75-6
 10 INSTR76-5
 10 INSTR77-4
 10 INSTR78-3
 10 INSTR79-2
 10 INSTR80-1
 10 INSTR81-0

10 INSTR82-9
 10 INSTR83-8
 10 INSTR84-7
 10 INSTR85-6
 10 INSTR86-5
 10 INSTR87-4
 10 INSTR88-3
 10 INSTR89-2
 10 INSTR90-1
 10 INSTR91-0

REV 31003
 DEF ASSY 2
 DRAWING NO 31004
 PART 0
 SHEET 11 OF 19

THIS DRAWING AND THE INFORMATION CONTAINED HEREIN ARE PROPERTY OF THE UNITED STATES GOVERNMENT AND SHALL NOT BE REPRODUCED, COPIED, USED, OR DISCLOSED TO OTHERS WITHOUT THE EXPRESS WRITTEN PERMISSION OF EDUCATIONAL DATA SYSTEMS.

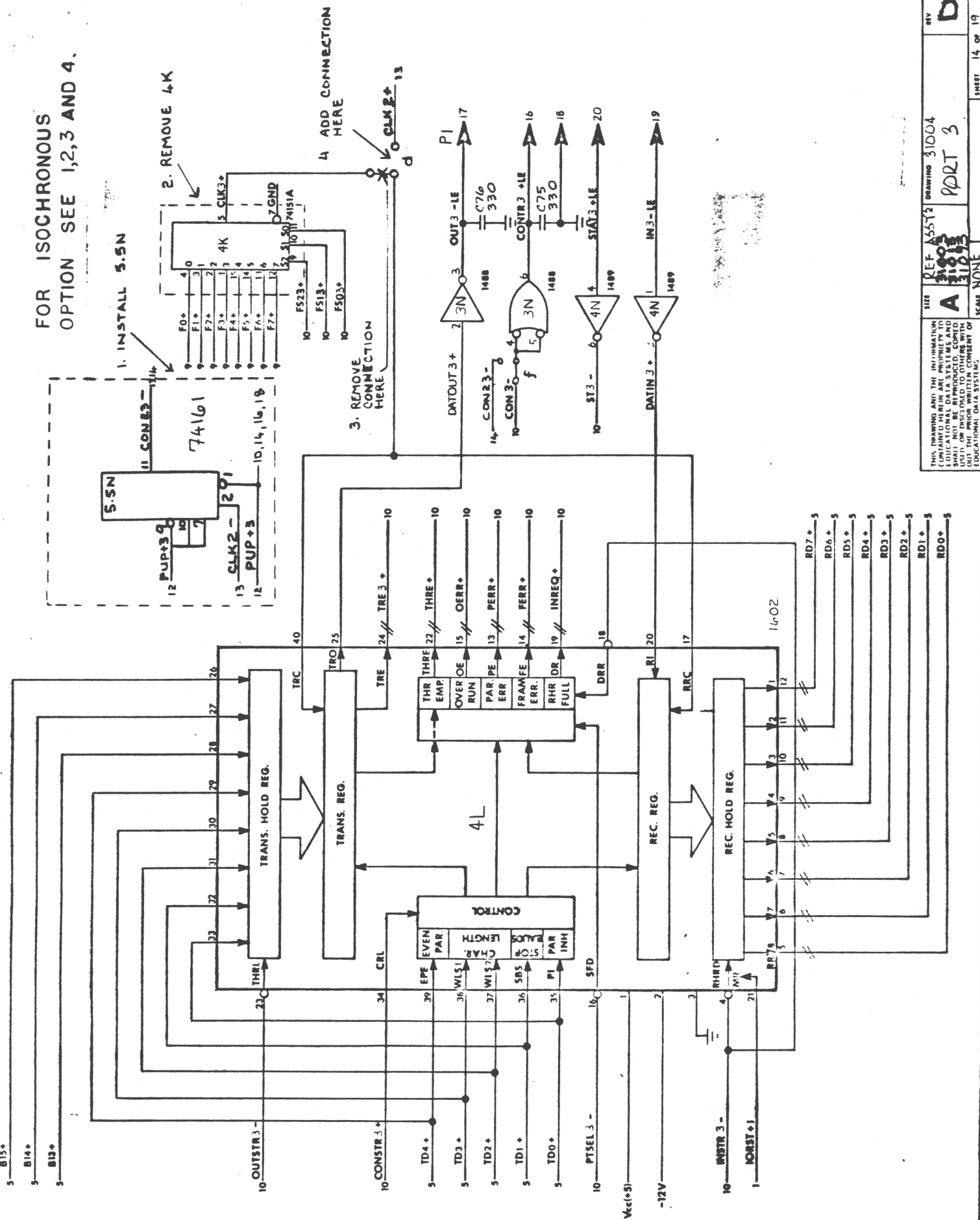


THIS DRAWING AND THE INFORMATION CONTAINED HEREIN ARE UNCLASSIFIED EXCEPT WHERE SHOWN OTHERWISE. THIS DOCUMENT IS UNCLASSIFIED EXCEPT WHERE SHOWN OTHERWISE. THIS DOCUMENT IS UNCLASSIFIED EXCEPT WHERE SHOWN OTHERWISE.

REV D
 DRAWING NO 31004
 PART 2
 REF ASSY'S
 31003
 31013
 31014
 SEE A
 SCALE NONE
 SHEET 13 OF 17

LISTING

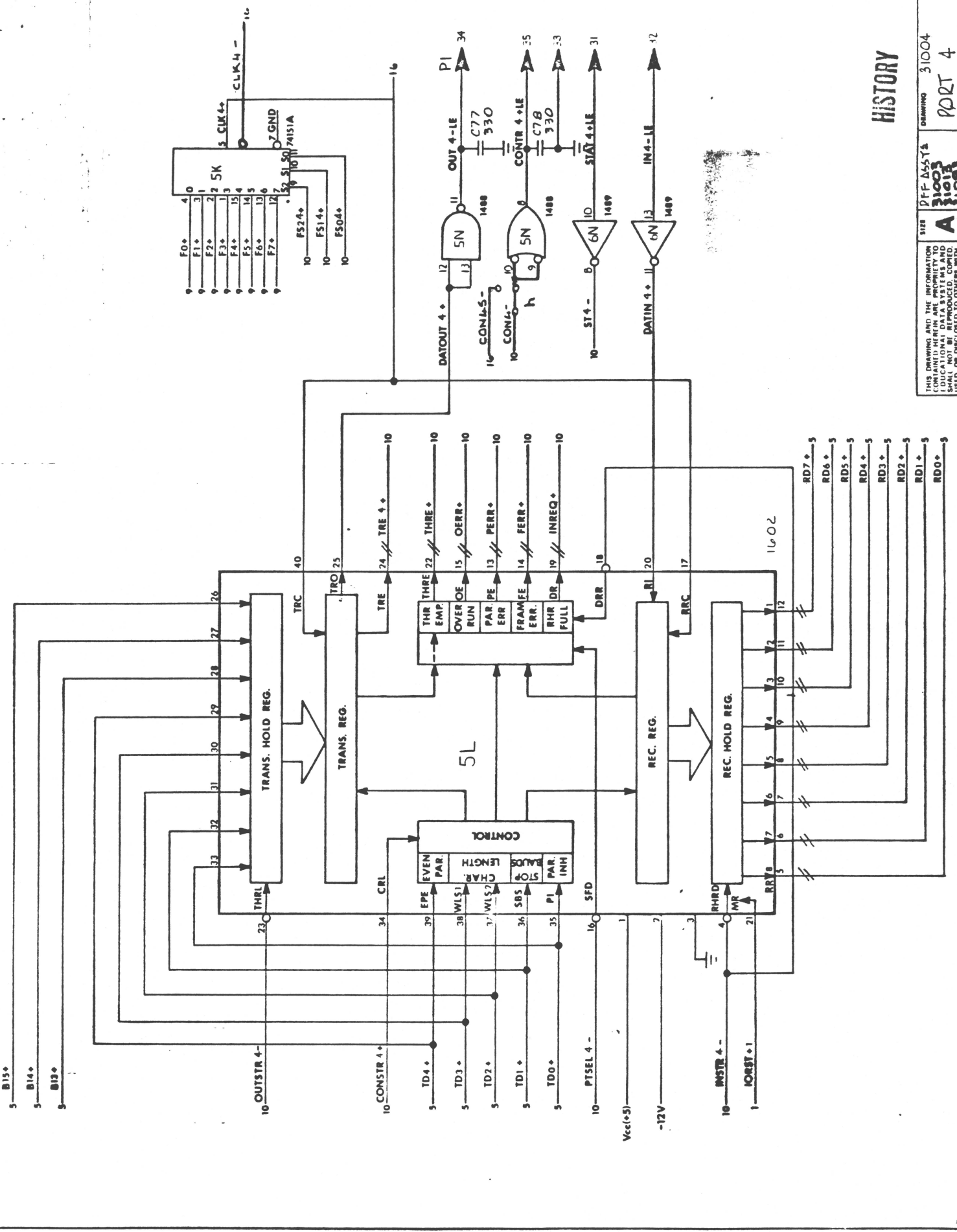
FOR ISOCRONOUS
OPTION SEE 1,2,3 AND 4.



THIS DRAWING AND THE INFORMATION CONTAINED HEREIN ARE UNCLASSIFIED AND SHALL NOT BE REPRODUCED, COPIED, USED, OR INCORPORATED INTO ANY OTHER DOCUMENT OR SYSTEMS.

SHEET REF ASSY2 DRAWING 31004
A 31003 PART 3
SCALE NONE

REV D
SHEET 14 OF 19



HISTORY

THIS DRAWING AND THE INFORMATION CONTAINED HEREIN ARE PROPERTY OF EDUCATIONAL DATA SYSTEMS AND ARE LOANED TO YOU ON THE UNDERSTANDING THAT YOU WILL NOT REPRODUCE OR DISCLOSE TO OTHERS WITHOUT THE PRIOR WRITTEN CONSENT OF EDUCATIONAL DATA SYSTEMS	SIZE PFF 65574	DRAWING 31004	SHEET 15 OF 15
	A	PORT 4	
	SCALE NONE		

FOR ISOCRONOUS

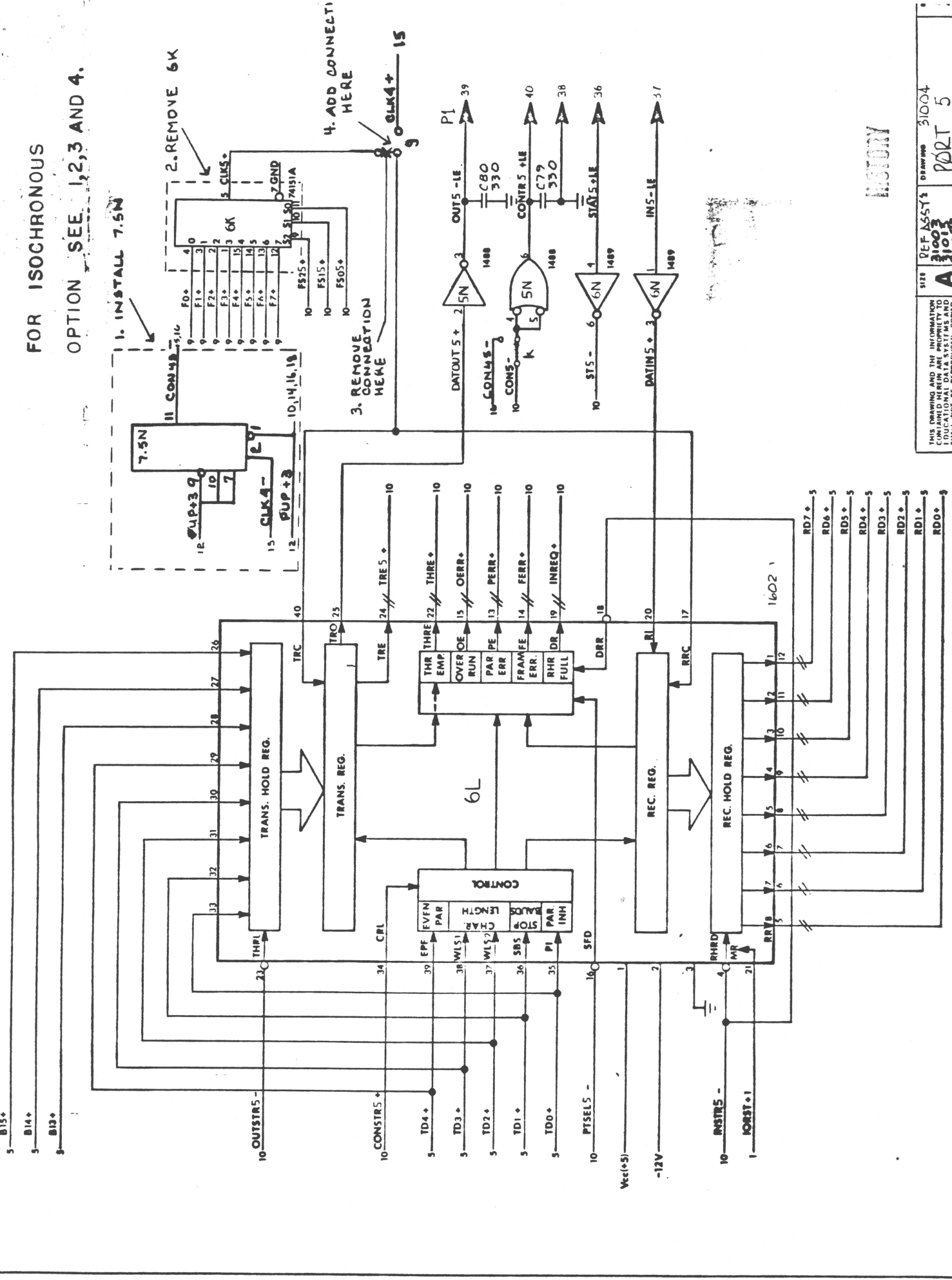
OPTION SEE 1,2,3 AND 4.

1. INSTALL 7.5N

2. REMOVE 6K

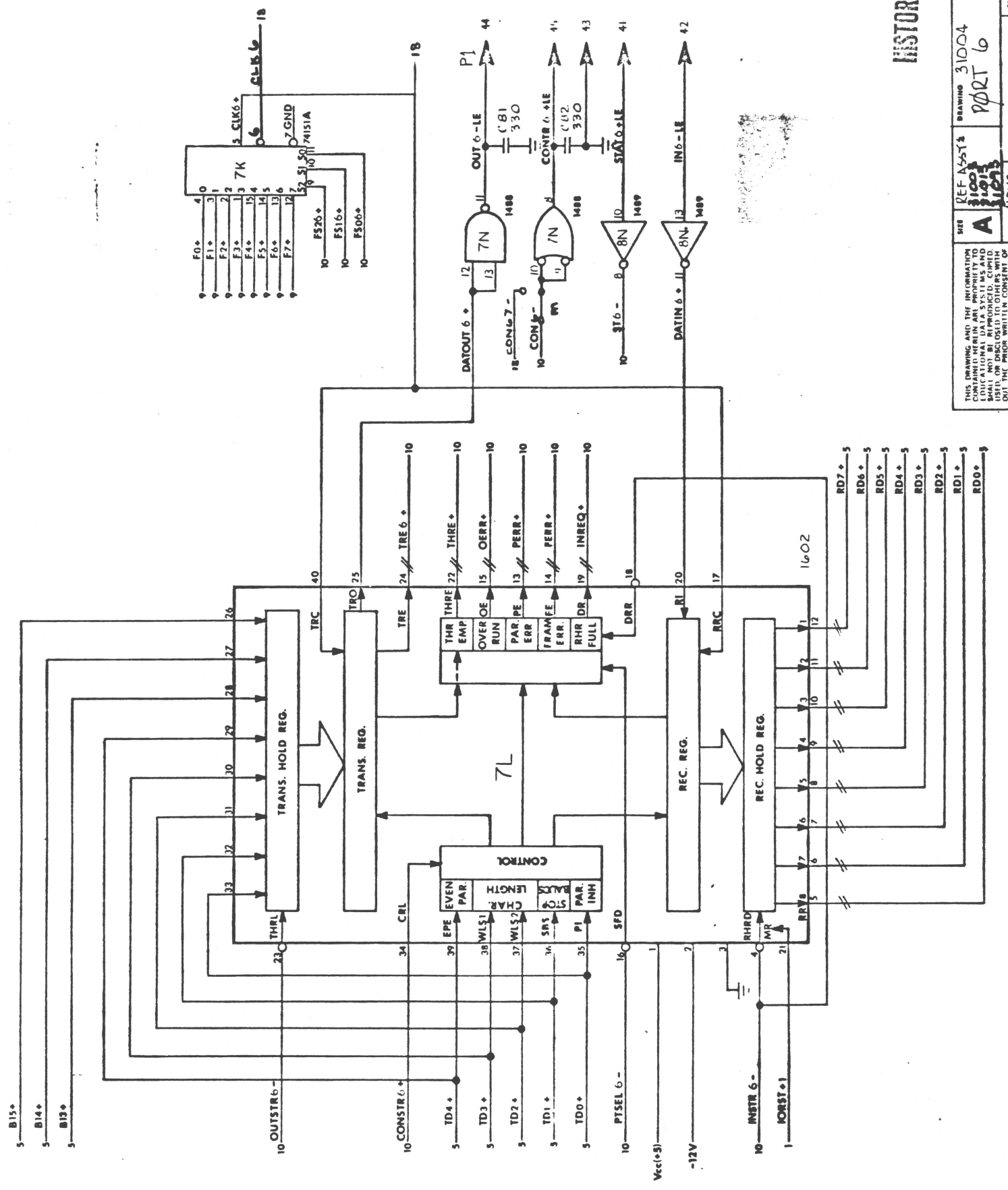
3. REMOVE CONNECTION HERE

4. ADD CONNECT HERE



SIZE	DEF ASST'S	DRAWING	31004
A	31003	PART	5
31003	31003	SCALE	NONE
THIS DRAWING AND THE INFORMATION CONTAINED HEREIN ARE PROPERTY OF EDUCATIONAL DATA SYSTEMS AND ARE LOANED TO YOURS WITH THE UNDERSTANDING THAT YOU WILL NOT DISCLOSE TO OTHERS WITHOUT THE PRIOR WRITTEN CONSENT OF EDUCATIONAL DATA SYSTEMS.			

HISTORY

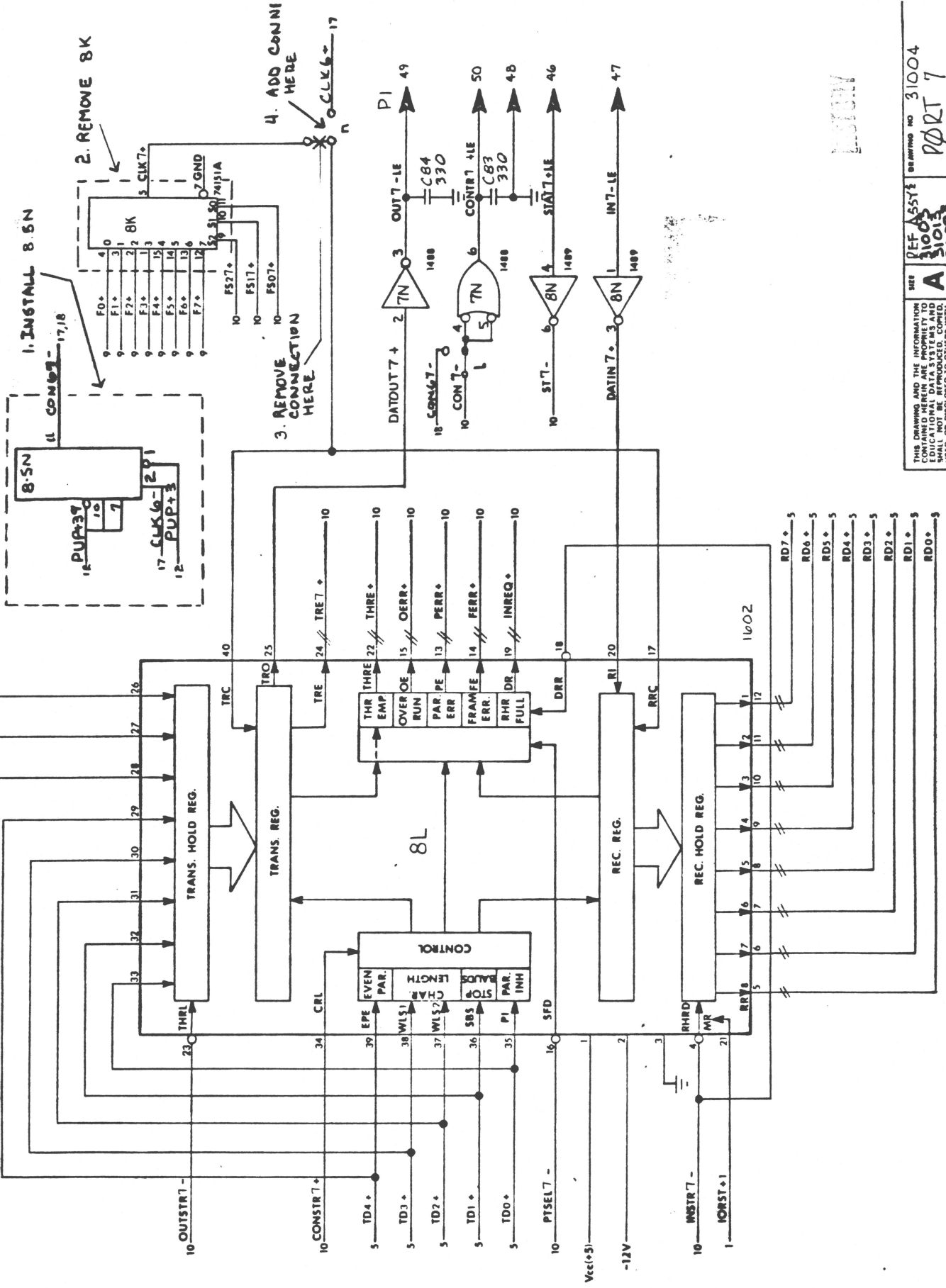


HISTORY

REV	REV 17 OF 17
BRWING	31004
REF ASST	PORT 6
SCALE	NONE
THIS DRAWING AND THE INFORMATION CONTAINED HEREIN ARE UNCLASSIFIED EXCEPT WHERE SHOWN OTHERWISE. IT IS THE PROPERTY OF THE U.S. GOVERNMENT AND IS LOANED TO YOUR AGENCY. IT AND ITS CONTENTS ARE NOT TO BE DISTRIBUTED OUTSIDE YOUR AGENCY WITHOUT THE PRIOR WRITTEN CONSENT OF THE U.S. GOVERNMENT.	

FOR ISOCRONOUS

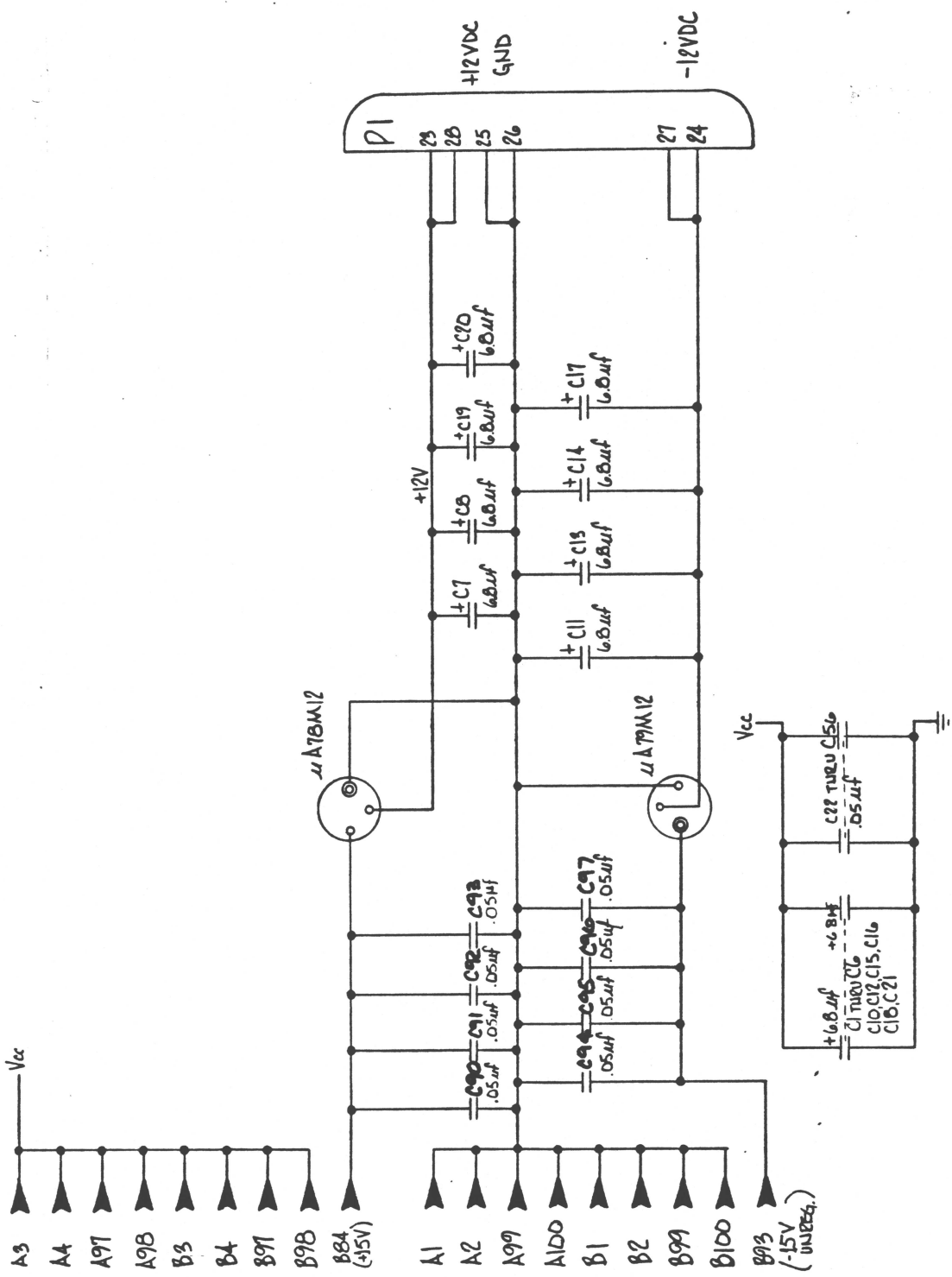
OPTION SEE 1, 2, 3 AND 4.



THIS DRAWING AND THE INFORMATION CONTAINED HEREIN ARE UNCLASSIFIED EXCEPT WHERE SHOWN OTHERWISE. IT IS THE PROPERTY OF THE U.S. GOVERNMENT AND IS LOANED TO YOUR ORGANIZATION. IT AND ITS CONTENTS ARE NOT TO BE REPRODUCED, COPIED, OR DISTRIBUTED OUTSIDE YOUR ORGANIZATION WITHOUT THE PRIOR WRITTEN CONSENT OF THE U.S. GOVERNMENT.

SEE REF ASSTY DRAWING NO 31004
A 31003
 PORT 7
 SCALE NONE
 SHEET 18

4 3 2 1



A3 Vcc
 A4
 A97
 A98
 B3
 B4
 B97
 B98
 B84 (-15V)
 A1
 A2
 A99
 A100
 B1
 B2
 B99
 B100
 B93 (-15V UNREG.)
 +12VDC
 GND
 -12VDC
 +12V
 +6.8V
 Vcc
 GND

DEF 12516	DRAWING NO. 31004
31003	POWER OPTION
A	31003
SCALE NONE	DO NOT SCALE DRAWING
THIS DRAWING AND THE INFORMATION CONTAINED HEREIN ARE PROPERTY OF MICROLOGIC CORPORATION. NO PART SHALL BE REPRODUCED, COPIED, USED, OR DISCLOSED TO OTHERS WITHOUT THE WRITTEN PERMISSION OF MICROLOGIC CORPORATION.	
SIZE	CONVENTIONAL DATA SYSTEMS
SHEET 19 OF 21	