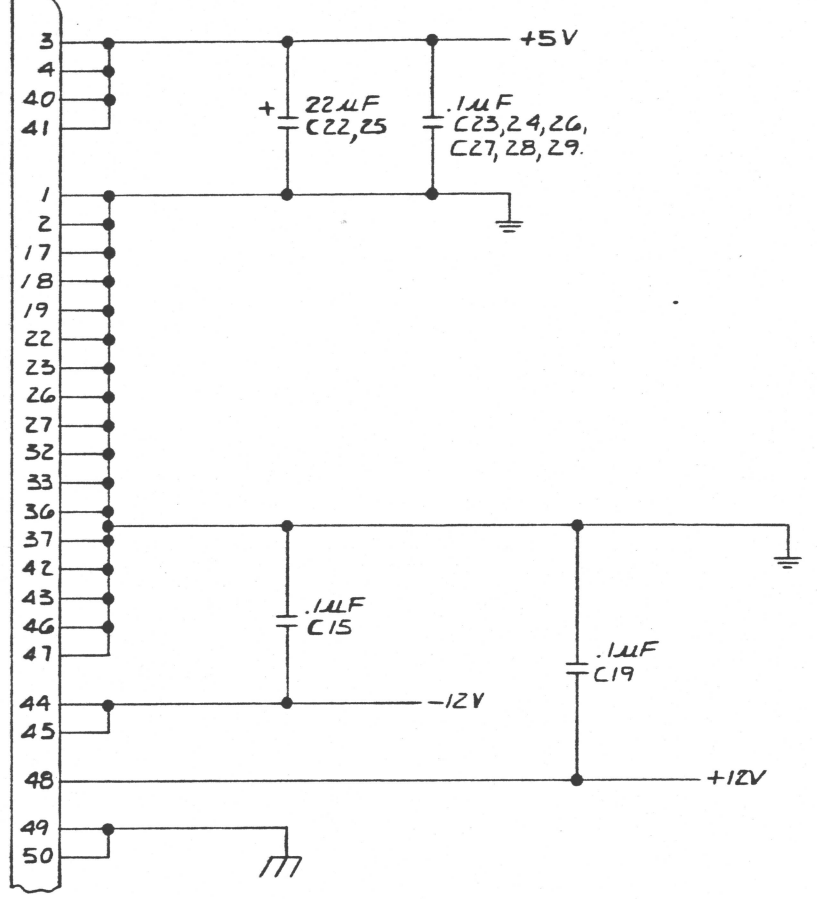


REVISIONS				
PART REV.	DOC REV.	DESCRIPTIONS	DATE	APPROVED
A	A	INITIAL PRODUCTION RELEASE	12-4-81	FV

PI-EDGE CONNECTOR.



UNUSED GATES			
REF	TYPE	PIN NUMBER	
		IN	OUT
1C	1488	9,10	B
5C	1488	9,10	B
6C	1488	4,5	6

6. LAST USED REF. DESIGNATORS.
- A. CAPACITOR - C29
 - B. RES. SIP - RN4
5. ALL CAPACITOR VALUES ARE IN PICOFARADS.
4. ALL RESISTOR VALUES ARE IN OHMS, 1/4W 5%.
3. FOR PARTS LIST SEE DWG. 21102.
2. FOR ASSEMBLY SEE DWG. 21103.
1. FOR P.C. BOARD DETAIL SEE DWG. 21100.

NOTES: UNLESS OTHERWISE SPECIFIED

UNLESS OTHERWISE SPECIFIED DIMENSIONS ARE IN INCHES TOLERANCES ARE:

FRACTIONS	DECIMALS	ANGLES
±	±	±
	±	±

POINT DATA CORPORATION
Irvine, California 92714

**SCHEMATIC DIAGRAM -
PIB PIGGY BACK-MARK3
(EXTENDED PORTS)**

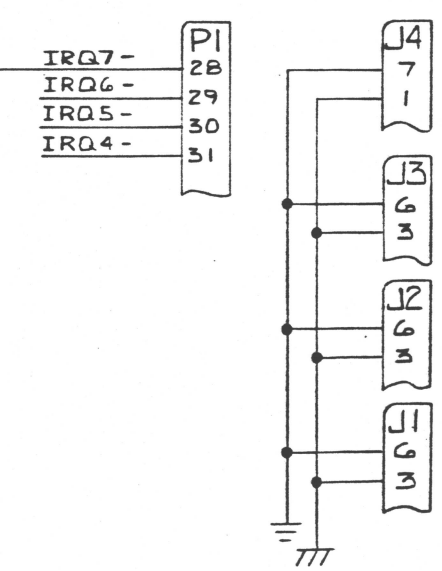
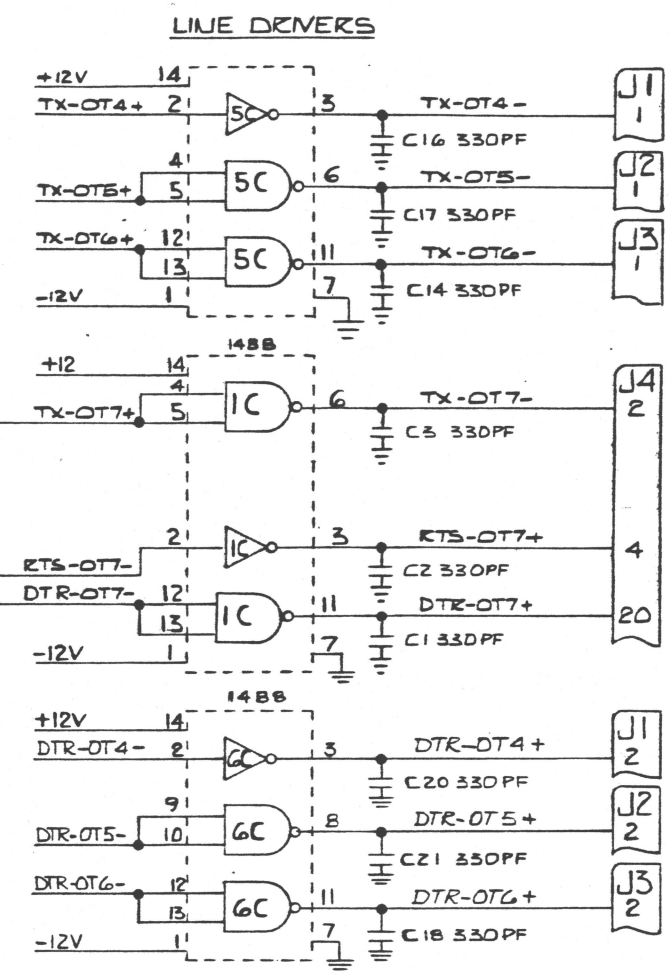
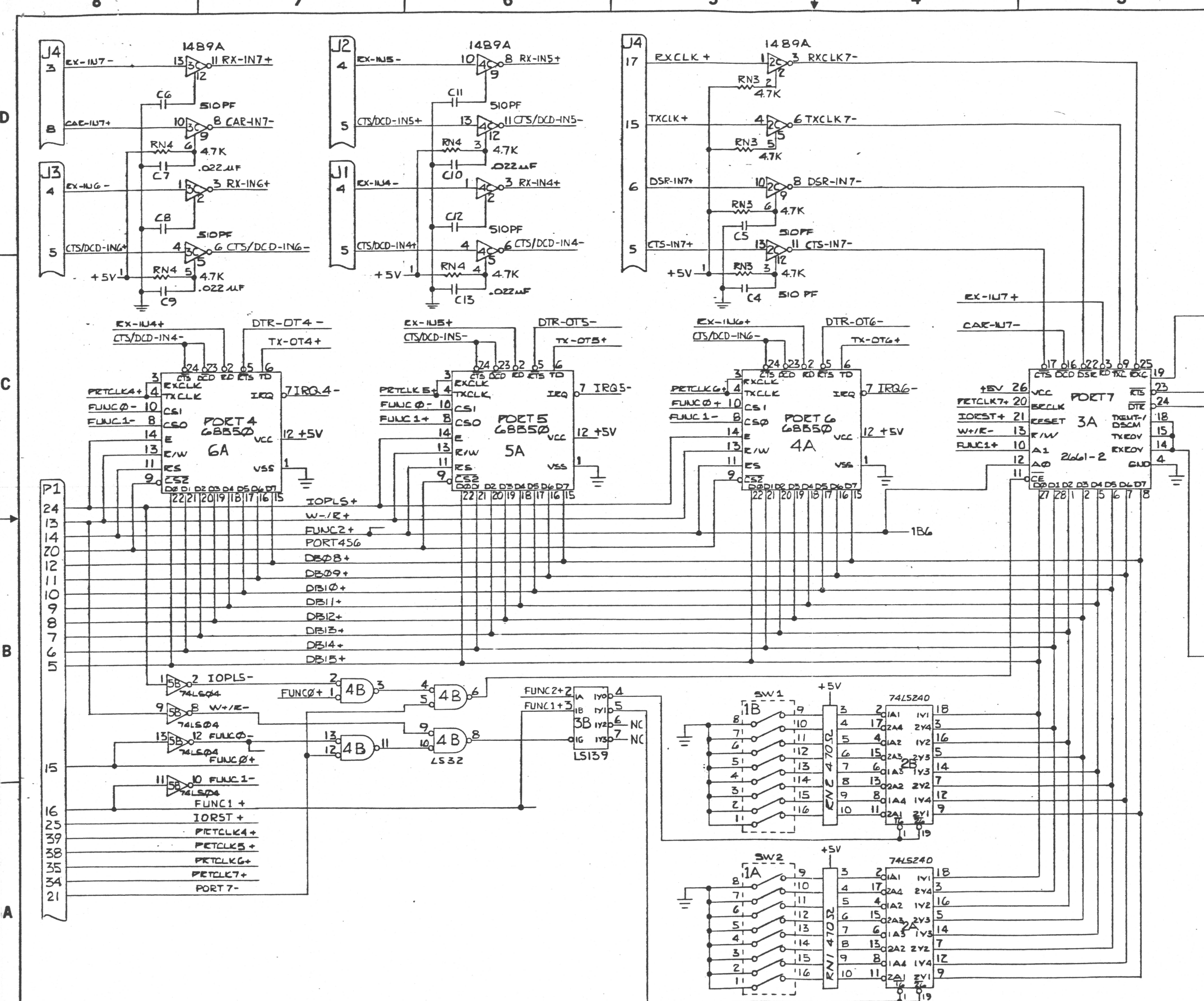
APPROVALS	DATE
DRAWN WJ MAX WHAUPT	11-16-81
CHECKED JOE Egan	11-25-81
PRODUCTION	11-25-81

SIZE	NEXT ASSEMBLY	DRAWING NO.	REV
D	21103	21104	A

THIS DRAWING AND THE INFORMATION CONTAINED HEREIN ARE PROPRIETARY TO POINT 4 DATA CORPORATION AND SHALL NOT BE REPRODUCED, COPIED, USED OR DISCLOSED TO OTHERS WITHOUT THE PRIOR WRITTEN CONSENT OF POINT 4 DATA CORPORATION.

SCALE: — DO NOT SCALE DRAWING SHEET 1 OF 3

REVISIONS				
PART REV.	DOC REV.	DESCRIPTIONS	DATE	APPROVED



NOTES: UNLESS OTHERWISE SPECIFIED

SIZE D	NEXT ASSEMBLY 21103	DRAWING NO. 21104	REV A

REVISIONS			
PART REV.	DOC REV.	DESCRIPTIONS	DATE APPROVED

PI					
PIN	SIGNAL	DIRECT	PIN	SIGNAL	DIRECT
1	GND		2	GND	
3	+5V		4	+5V	
5	DB15+	BI	6	DB14+	BI
7	DB13+	BI	8	DB12+	BI
9	DB11+	BI	10	DB10+	BI
11	DB09+	BI	12	DB08+	BI
13	W-R+	IN	14	FUNC2+	IN
15	FUNC0+	IN	16	FUNC1+	IN
17	GND		18	GND	
19	GND		20	PORT456-	IN
21	PORT7-	IN	22	GND	
23	GND		24	IOPL5+	IN
25	IORST+	IN	26	GND	
27	GND		28	IRQ7-	OUT
29	IRQ6-	OUT	30	IRQ5-	OUT
31	IRQ4-	OUT	32	GND	
33	GND		34	PRTCLK7+	IN
35	PRTCLK6+	IN	36	GND	
37	GND		38	PRTCLK5+	IN
39	PRTCLK4+	IN	40	+5V	
41	+5V		42	GND	
43	GND		44	-12V	
45	-12V		46	GND	
47	GND		48	+12V	
49	FRGND		50	FRGND	

J4					
PIN	SIGNAL	DIRECT	PIN	SIGNAL	DIRECT
1	FRGND		14		
2	TX-OT7-	OUT	15	TXCLK+	IN
3	RX-IN7-	IN	16		
4	RTS-OT7+	OUT	17	RXCLK+	IN
5	CTS-IN7+	IN	18		
6	DSR-IN7+	IN	19		
7	GND		20	DTR-OT7+	OUT
8	CAR-IN7+	IN	21		
9			22		
10			23		
11			24		
12			25		
13					

J3		
PIN	SIGNAL	DIRECT
1	TX-OT6-	OUT
2	DTR-OT6+	OUT
3	FRGND	
4	RX-IN5-	IN
5	CAR-IN6+	IN
6	GND	

PIA					
PIN	SIGNAL	DIRECT	PIN	SIGNAL	DIRECT
1	GND		2	GND	
3	+5V		4	+5V	
5	DB15+	BI	6	DB14+	BI
7	DB13+	BI	8	DB12+	BI
9	DB11+	BI	10	DB10+	BI
11	DB09+	BI	12	DB08+	BI
13	W-R+	IN	14	FUNC2+	IN
15	FUNC0+	IN	16	FUNC1+	IN
17	GND		18	GND	
19	GND		20	PORT456-	IN
21	PORT7-	IN	22	GND	
23	GND		24	IOPL5+	IN
25	IORST+	IN	26	GND	
27	GND		28	IRQ7-	OUT
29	IRQ6-	OUT	30	IRQ5-	OUT
31	IRQ4-	OUT	32	GND	
33	GND		34	PRTCLK7+	IN
35	PRTCLK6+	IN	36	GND	
37	GND		38	PRTCLK5+	IN
39	PRTCLK4+	IN	40	+5V	
41	+5V		42	GND	
43	GND		44	-12V	
45	-12V		46	GND	
47	GND		48	+12V	
49	FRGND		50	FRGND	

J2		
PIN	SIGNAL	DIRECT
1	TX-OT5-	OUT
2	DTR-OT5+	OUT
3	FRGND	
4	RX-IN5-	IN
5	CAR-IN5+	IN
6	GND	

J1		
PIN	SIGNAL	DIRECT
1	TX-OT4-	OUT
2	DTR-OT4+	OUT
3	FRGND	
4	RX-IN4-	IN
5	CAR-IN4+	IN
6	GND	

NOTES: UNLESS OTHERWISE SPECIFIED

THIS DRAWING AND THE INFORMATION CONTAINED HEREIN ARE PROPRIETARY TO POINT 4 DATA CORPORATION AND SHALL NOT BE REPRODUCED, COPIED, USED OR DISCLOSED TO OTHERS WITHOUT THE PRIOR WRITTEN CONSENT OF POINT 4 DATA CORPORATION.	SIZE	NEXT ASSEMBLY	DRAWING NO.	REV.
	D	21103	21104	A
SCALE	DO NOT SCALE DRAWING		SHEET 3 OF 3	