

# Mini News

## News For The Employees of Data General

---

March 15, 1985

### Shanzer Resigns Oppenheimer Acting GM

Herb Shanzer has resigned as vice president and general manager of the Desktop Division to pursue other interests.

Allan Oppenheimer has been appointed acting general manager of the division. Allan is director of Dealer Programs in the Desktop Division.

Joining Data General in July of last year, Allan has extensive marketing management experience, particularly in the personal computer and workstation markets. Among his past positions, he has five years of experience with Apple computer and, prior to joining Data General, he worked for Apollo Computer.

### Ben Dalton Named General Manager

**Ben Dalton** has been appointed general manager for Data General's Singapore plants, reporting to International Manufacturing Operations Vice President Howard Haythornthwaite.

Effective April 1, Ben will be responsible for the printed circuit board fabrication plant and the systems/distribution center. He will provide the necessary senior management focus during the start-up phases of these new facilities.

Singapore Plant Operations Managers Larry Billings and David Gates will report directly to Ben, in addition to the supporting staff functions of Personnel, MIS and Industrial Engineering.

Ben has been with Data General since 1976. He was most recently general manager for Data General's Southern Manufacturing Operations. As a result of Ben's assignment, Rod Gilvey, Ralph Hudson and Don Wilde, plant managers at Clayton, Apex and Austin, will report to Jim Williamson, vice president of U.S. Manufacturing Operations.

### Schepers Named Director For Worldwide Technical Programs

**Heinz Schepers** has been named director of Worldwide Technical Programs. In this new position, he reports to Fred Cochrane, vice president of Field Engineering Engineering Services. He will be responsible for the implementation and integration of Data General's field service worldwide technical programs.

Heinz has been with Data General-Europe for more than six years. He most recently was manager of the European Product Support group, part of the European Customer Service and Support Centre in Schwalbach, West Germany. He was responsible for providing technical support, project support and product management for Data General's subsidiaries and distributors in Europe, the Middle East and Africa.

Heinz has held several engineering and management positions with the German air force and NATO. He graduated from the Electronics Academy (of the German air force) in Lechfeld, West Germany.

### Record Number Honored At 14th Million Dollar Club

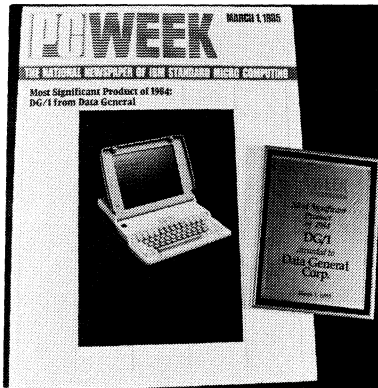
Nearly 350 Sales representatives and managers from Data General offices worldwide were honored this week in Hawaii at the Million Dollar Club.

The number of Sales representative invited to the conference was the most ever to be selected to the Million Dollar Club since it was founded in 1971. This year's club membership totals more than Data General's entire Sales force of eight years ago.

During the four-day conference, attendees participated in business workshops and health-related seminars that offered tips for physical fitness.

See page 8 for a complete listing of this year's Million Dollar Club members.

## DATA GENERAL/One Cited By PC WEEK



The DATA GENERAL/One portable computer has been proclaimed the "most significant product of 1984" by PC WEEK, the leading weekly newspaper for IBM-compatible micro computing. During ceremonies held Friday, March 1 at the Copley Plaza Hotel in Boston, Bob Miller, senior vice president of the Business Group was presented a plaque to commemorate the product. The success hasn't stopped there. Electronic Products magazine has announced the DATA GENERAL/One will receive its "Product of the Year" award for 1984.

### Graphics Open House

Employees are invited to attend an open house on presentation graphics sponsored by Manufacturing Information Resource Management. Tips on using graphics as presentation tools will be offered, as well as a demonstration of the two pen plotter than can be used with Trendview, Data General's graphics package. Three informal, one-hour sessions will be held on Thursday, March 21 at 2 p.m. and Tuesday, March 26 at 10 a.m. and 2 p.m. in the Manufacturing Information Resource Center located outside of B223.

## Technical Meeting Series Continues At Woodstock

Field Engineering is sponsoring a one-day seminar on artificial intelligence (AI) and expert systems to be held Monday, April 8 at Data General-Woodstock. The seminar is geared toward employees involved with design and development.

The seminar will be led by Dr. Henry Eric Firdman, of Henry Firdman and Associates. Eric holds a PhD from the Center for Microelectronic Design in Moscow and has long been involved in developing and implementing artificial intelligence-based systems.

Topics to be covered include:

- Definition and characteristics of artificial intelligence.
- AI technology and tools
- Case study of expert systems
- A look at the major players in the market
- Strategic planning of AI ventures

Sign-ups will be accepted until Wednesday, April 3. Manager's approval is necessary and \$75 per employee will be charged back to the department. For more information and reservations contact Robert Dourandish at Westboro extension 3840 or via CEO at DOURANDI R:FE1K28.

## Westboro

### People

#### In ISD...

**Kathy Sowards** joins System Supplier Marketing Communications as a public relations specialist reporting to Manager Bob Palmer.

Kathy was most recently editor of the System Supplier newsletter, Straight Talk. Prior to Data General, she was with Houston Instrument. Kathy holds a bachelor's degree in journalism from the University of Texas at Austin.

#### In TPD...

**Phil Nelson** joins Industrial Automation Marketing as a senior marketing specialist, reporting to Bob Andrews, manager of Industrial Automation programs.

Phil will manage TPD's Independent Hardware Vendor program. The program offers users a wide range of compatible engineering tools, capitalizing on the availability of products from leading third-party hardware developers.

Phil was most recently a systems engineer in Providence, Rhode Island. Before joining Data General, he was manager of computer applications at Corner and Lada Corporation. He has BS in computer science and applied mathematics from the University of Rhode Island.

### ***In Employee Communications...***

**Audrea Cohen** joins Employee Communications as a communications writer, reporting to Steve Nikitas, manager of Employee Communications.

She is responsible for producing audio visual presentations, arranging special events and supporting the development groups with communication programs.

She has been with Data General for more than three years and most recently was with Corporate Manufacturing Training. Audrea earned an MA from the University of Connecticut and a BS from Southern Connecticut State University.

### ***In Human Resources...***

**Earl Rezendes** joins Data General as a senior Personnel representative in Corporate Manufacturing Human Resources.

He supports the human resource needs of Corporate Quality Assurance, Advanced Manufacturing Engineering and Technology, Manufacturing Planning, Distribution, Manufacturing Systems Planning and Construction Services.

Earl comes to Data General from M/A Com, Inc. of Burlington, where he was a senior Personnel representative. He holds a BS in industrial relations from Southeastern Mass. University and an MBA from Bryant College.

### ***Milford***

#### **Five Years**

Charles Elliott  
Frank Pellegrino  
Bruce Pardee  
David Coffey

Carol Gagnon  
Anne Cooper  
Lorraine Maillet

### ***Woodstock, CT.***

#### **Ten Years**

Jeffrey Nelson

### ***Providence, R.I.***

#### **Five Years**

Dennis Gauthier

### ***Milford, CT.***

#### **Five Years**

Charles Jarzbek

## **New ECLIPSE MV/Family Hardware At Education Center**

The Hardware Education Center, located at 2400 Computer Drive in Westboro, recently expanded its lab facilities with four new ECLIPSE MV/Family systems. The new equipment, including an ECLIPSE MV/8000 II processor, signals an upgrading of Data General hardware maintenance training. With the new systems, Educational Services now provides a broader curriculum for Data General customers and employees who maintain their own computer hardware.

### ***Courses Available to Employees***

Hardware courses featuring preparatory, board-level, component-level, peripheral communications and advanced service technology maintenance are available to employees. The following is a list of hardware courses scheduled through June at the Hardware Education Center. For detailed course descriptions or for a complete listing of Educational Services' course offerings, consult the current Customer Education Schedule (012-2099-05).

To enroll, call Central Registration and Information in Westboro at extension 4079 or 4096. Supervisor's approval is required prior to registration.

## **Milestones**

Congratulations to the following Data General employees celebrating five, 10 and 15 years of service during the month of March:

### ***Westboro***

#### **Fifteen Years**

Florence Kanz

#### **Ten Years**

John Abbott

Thomas Piacenza

Sandra Blanchard

#### **Five Years**

Annamarie Andrews

Marilynn Mitchell

Sharon Cullina

Karen Daniels

Teresa Marrino

Rockwood Keith

Deborah Umphries

Bernie McBride

Jerry Auge

Nicholas Rioux

Christopher Horman

Richard Adams

Jean Annis

David Conley

Betty Ann Marino

Stephen Nikitas

Sonia Dudley

Mark Crooker

John Clarke

Carol Koundakjian

Barbara Lamy

Paul Chapelle

Start Date	Course #	Course Title
4/1	H100	Data General Computer Architecture
	H203	Disc 10 MB (6045 Series)
	H305	NOVA 3 Component Level
4/8	H101	Diagnostic Operating System User
	H322	DESKTOP GENERATION Component Level
	H401	Advanced Maintenance Technology Using RDOS
4/15	H100	Data General Computer Architecture
	H128	ECLIPSE MV/8000 Field Maintenance
4/22	H104	ECLIPSE S130, S200, S230 Field Maintenance
	H122	DESKTOP GENERATION Field Maintenance
4/29	H204	6060/6061/6067/6122 Disc Field Maintenance
	H288	Data Communications Maintenance
	H304	ECLIPSE S130, S200, S230 Component Level
	H401	Advanced Maintenance Technology Using RDOS

Start Date	Course #	Course Title
5/6	H100	Data General Computer Architecture
	H168	ECLIPSE MV/10000 Field Maintenance
	H236	6236/6237 Disc Field Maintenance
5/13	H101	Diagnostic Operating System User
	H105	NOVA 3 Field Maintenance
5/20	H305	NOVA 3 Component Level
	H402	Advanced Maintenance Technology Using AOS & AOS/VS
6/3	H100	Data General Computer Architecture
	H121	ECLIPSE S140/ NOVA 4 S/X Field Maintenance
	H203	Disc 10 MB (6045 Series)
6/10	H101	Diagnostic Operating System User
	H104	ECLIPSE S130, S200, S230 Field Maintenance
	H122	DESKTOP GENERATION Field Maintenance
	H148	ECLIPSE MV/4000 Field Maintenance
	H321	ECLIPSE S140/NOVA 4 S/X Component Level
6/17	H128	ECLIPSE MV/8000 Field Maintenance
	H180	ECLIPSE S/280 Field Maintenance
	H304	ECLIPSE S130, S200, S230 Component Level
6/24	H149	ECLIPSE MV/4000 SC Field Maintenance
	H288	Data Communications Maintenance

## Benefits

### Benefits Directory

If you have a question or need assistance or information concerning one of the Data General Benefit Plans, call the applicable number below. Save this listing and keep it handy for easy reference.

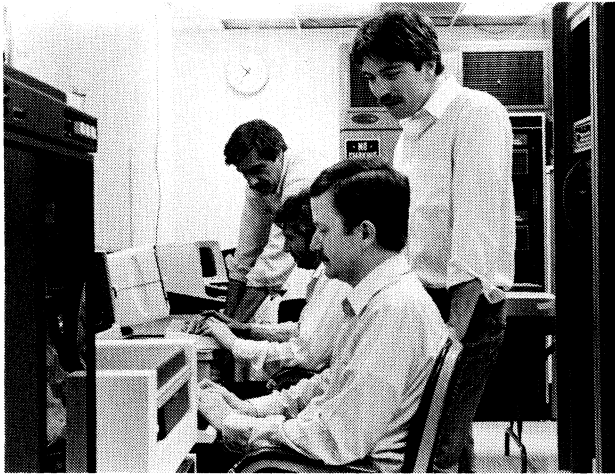
For questions concerning employee or dependent life insurance, accident and sickness benefits, Data General Medical Plan (Prudential), or long-term disability benefits, contact the Benefits administrator assigned to the section of the alphabet in which the first letter of your last name falls:

Alpha. Sec.	Benefits Administrator	Webo Ext.
A - D	Lyn Fleming	4576
E - K	Ellen Stefanik	4570
L - Q	Kate Oftring	4559
R - Z	Lisa Jablonski	4549

- Second Surgical Opinion - Prudential Claims Office 1-617-687-0592 (call collect).
- Health Maintenance Organization (HMO) Plans - Eligibility, enrollment or other changes in coverage information may be obtained from your Benefits administrator. Questions related to benefits, services, staff or facilities should be directed to the local HMO Membership Services department.
- Dental Plan - Local Travelers Claim Office. Massachusetts residents call 1-800-243-1718.
- Pension Plan - Westboro extension 4562.
- Savings and Investment Program - For specific investment questions related to the Balanced or Equity Funds, call Putnam Management at 1-800-343-0909. For all other information, call Westboro extension 4524.
- Stock Purchase Plan - Westboro extension 4570.
- Credit Union (Union Warren Savings) - Westboro extension 4550.
- Auto/Homeowner's/Renter's Insurance - Marsh & McLennan, Inc. call Westboro extensions 4601, 4603, and 4607.
- Scholarship Program - Westboro extension 4559.

*Mini News* is published weekly for the employees of Data General-Westboro. Material may be submitted for publication to Joan Simoneau, extension 4711, MS A235. Data General - An Equal Opportunity Employer.

## World-Wide Network Links Data General



*The Network Control Center at Westboro is the focal point of the world-wide private network.*

As a world-wide company, some Data General sites are oceans and continents apart from each other. But that world is becoming smaller, thanks to the system being installed by the Corporate Telecommunications department.

The Westboro-based group is implementing a private network to improve the flow of data among sites around the globe and to curb escalating communications transmission costs.

When the network is completed later this year, thousands of employees at more than 100 sites will be able to send computer-based files and electronic messages, such as CEO (Comprehensive Electronic Office) documents and messages, to one another from terminals at their desks.

A large part of Data General's success relies on the rapid exchange of vital day-to-day information. Currently, this computer-based information is transmitted by a wide range of services including: leased AT&T telephone lines; message networks for TWXs; public packet networks, etc. Yet, while costs to use these services are rising continually, they are becoming overburdened with users, thereby slowing the flow of communications.

The private network means communications lines will be dedicated to Data General use. "In many cases," says Telecommunications Manager Dean Williams, "the network will eliminate the need for Data General offices to use express mail services, commercial couriers and the postal system to exchange internal information and files."

In all, nine Data General sites designated as "nodes," form the backbone of the U.S. network: Westboro; Milford; Research Triangle Park; Dorcross, Georgia; Schaumburg, Illinois; Fountain, Colorado; Austin; Manhattan Beach; and Sunnyvale. The initial phase of the private network, which includes the nine nodes, is scheduled to be completed in April. The sites that are connected to each

node (tributaries) should be operational shortly after the nodes are functioning. This will depend on the availability of facilities and any office relocations.

At each of these sites will be switching equipment to route electronic information emanating from offices in that region to their proper destinations. All communications between offices will pass through a node on its journey.

For instance, when a CEO message is sent from an employee in San Francisco to Cambridge it first travels to the node in Sunnyvale, which handles all communications in northern California and the Pacific northwest. From Sunnyvale, the information is directed to the node in Westboro which then sends it on its way to its final stop, a terminal in Cambridge.

"The objective of this effort," notes Dean, "is to create a world-wide, cost-effective network." Currently, selected European and Asian offices can access the network via dedicated private lines. Other offices will use the public data network (PDN), until they can be connected.

Paris, Hounslow, England and Schwalbach, West Germany already are connected to Westboro via the network. Currently, messages can be routed to Westboro from Hong Kong, Singapore, Manila and Bangkok. Nippon•Data General's Manufacturing site in Gyoda soon will be connected to the Sunnyvale node. Connections to Melbourne and Venezuela are planned for the near future.

"The network is dynamic," explains Dean. "As more applications and needs are identified, sites will be added to it."

### **A Team Effort**

The installation of the network marks a real Data General team effort. Employees from Manufacturing, Software Development, Field Engineering, North American Sales and Corporate Software Support (CSS) were involved in making sure the network would live up to the use the company would put on it.

"The contributions of many Data General groups, both domestic and international, has made this program a reality," says Dean.

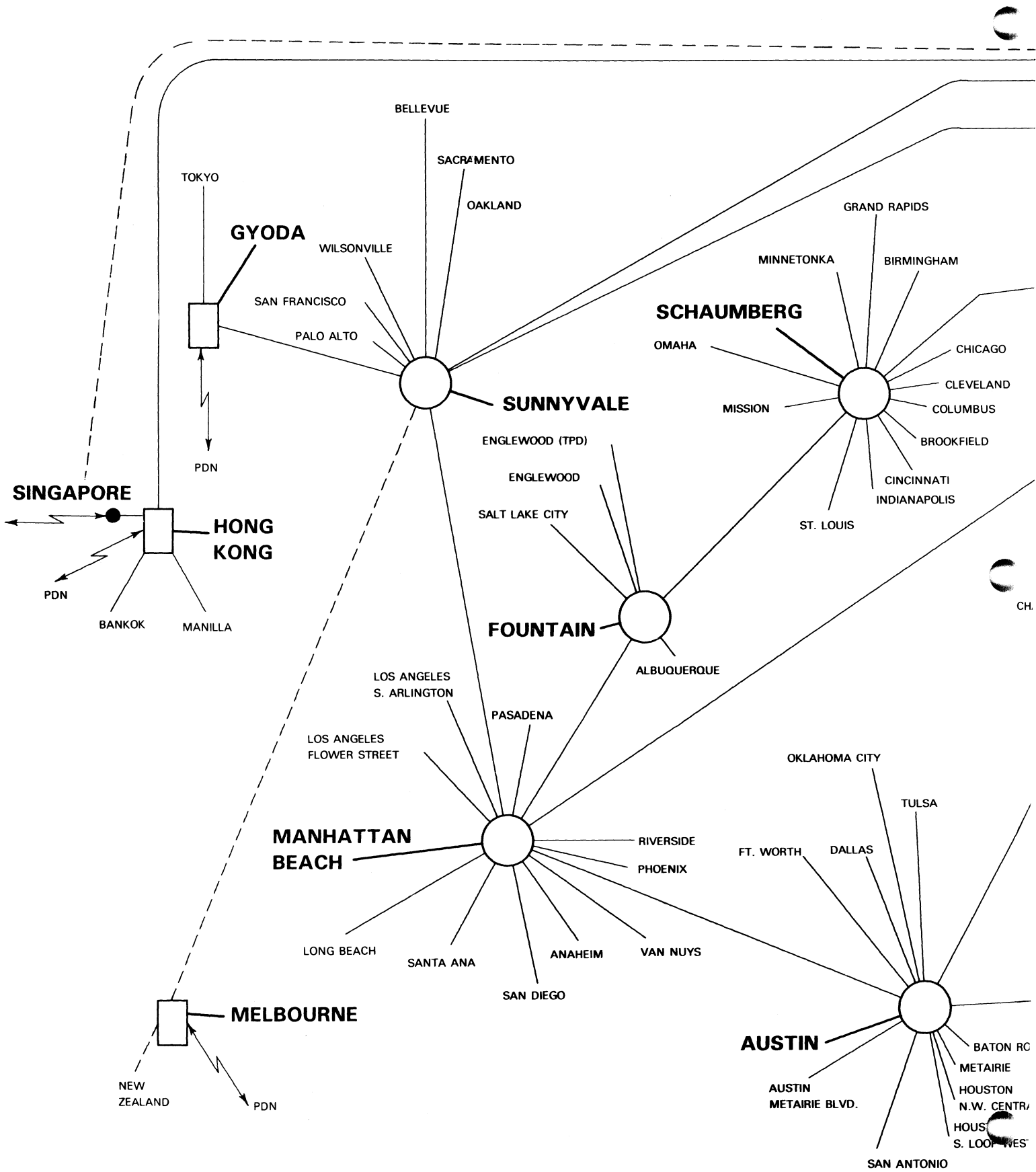
The Network Control Center (NCC) in Westboro is the focal point of the world-wide private network. According to Dean, the center is a "comprehensive management tool which monitors network performance, collects accounting and statistical information, and provides for extensive network diagnostics. The center monitors the network and serves as a troubleshooter."

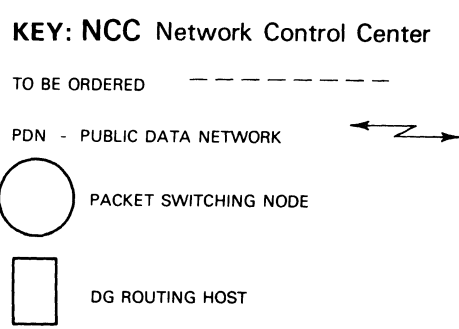
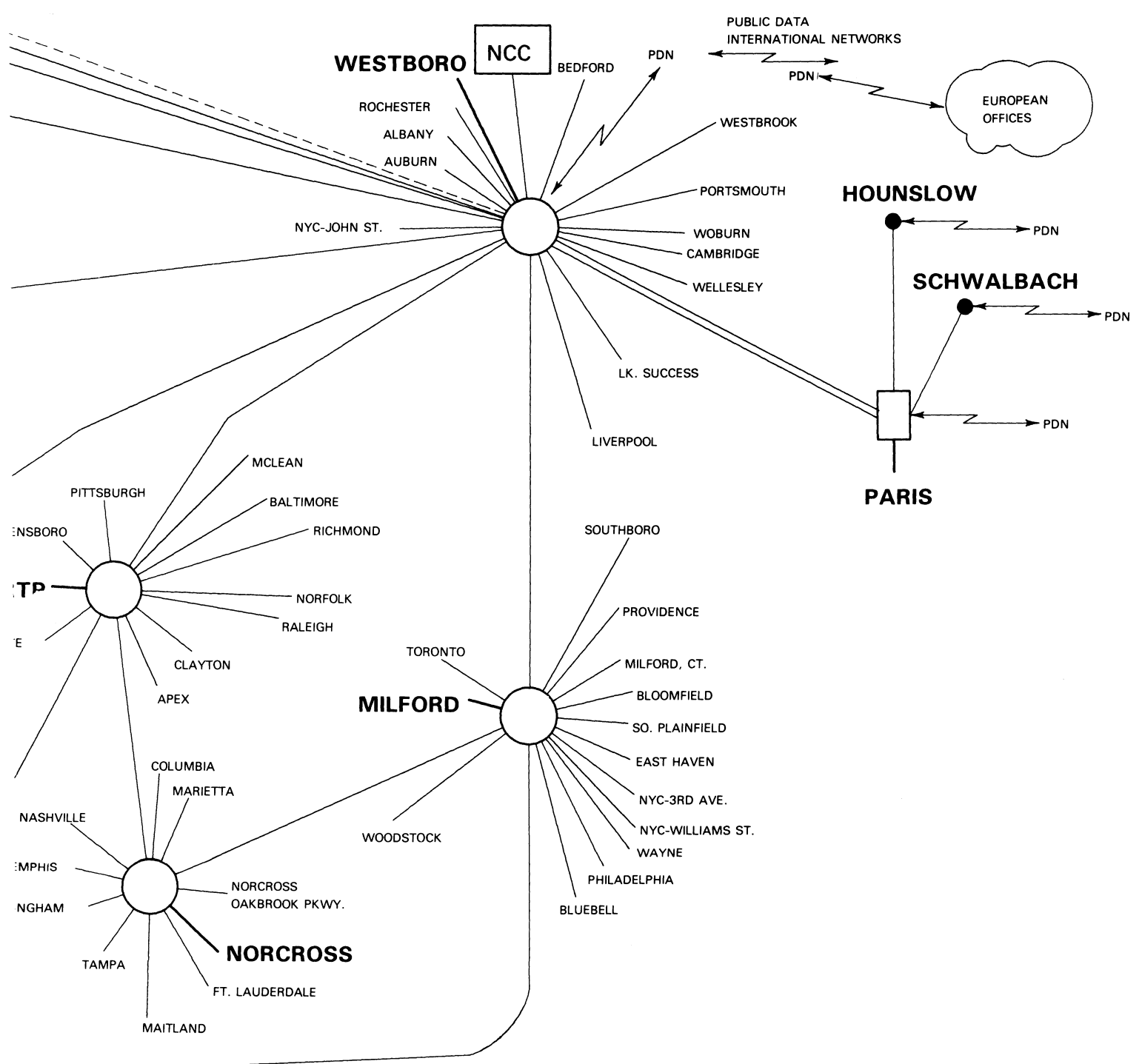
Implementing the network requires extensive cooperation between the field offices and the center, Dean remarks. "Each site has designated a project coordinator to work with the NCC on the installation and on-going network issues."

The NCC can be contacted in Westboro at extension 3891; or by CEO, NCC:atlas.

See the next pages for a bird's-eye view of Data General's Private Data Network.

# DATA GENERAL'S PRIVATE DATA NETWORK





The backbone of the U.S. network is comprised of nine Data General sites: Westboro; Milford; Research Triangle Park; Norcross, Georgia; Schaumburg, Illinois; Fountain, Colorado; Austin; Manhattan Beach; and Sunnyvale. The sites connected to each "node" will become operational after the nodes are functioning. The initial phase is scheduled to be completed in April.

# Data General's "One In A Billion" Million Dollar Club

## North America

Frank Keaney -  
*Vice President*  
Denny Olmsted -  
*National Sales Director*  
Ray Tellalian -  
*Area 1 Director*  
Bob Tway -  
*Area 2 Director*  
Boyd Pearce -  
*Area 3 Director*  
Don LeBeau -  
*Area 4 Director*  
Dick Bowman -  
*Federal Director*  
Brian Mellen -  
*General Manager - Canada*

## Area I

Paul Athan  
John Bates  
Andrew Belfi  
Sy Berliner  
Michael Binder  
John Cummings  
Robert Clark  
Jack Eaton  
Brian Ehrlich  
Art Ellsweig  
Albert Engstrom  
Vince Finlay  
Bill Frank  
Dennis Ford  
Don Judd  
Jerry Kaplan  
Tom Kelly  
Lew Kirschner  
Seymour Kornbluh  
Stephen Kratz  
Larry LeBlanc  
Stan Levitt  
Fred Liebrader  
Jim Lynch  
Art Mackin  
Dave Manjarrez  
Al Mercer  
Al Ormiston  
Stewart Peretz  
Al Phillips  
Sue Pirog  
Charles Quackenbush  
Tom Raleigh  
Larry Rutter  
Charles Savage  
Bailey Schell  
Alan Shea  
Peter Stone  
Jeff Strecker  
Eric Taylor  
Tina Thomas  
Robert Wilkinson  
Don Yellen  
Bob Zink

## Area II

Paul Benson  
Don Bowen  
Ike Bunn  
Don Collins  
Norm Davis  
Ron Devine  
John Donahue  
Paul Dowdy  
Frank Duss  
Rene Esnard  
Jim Freeman  
Ron Goldsmith  
Mike Grosswald  
Peggy Hackenson  
Harry Halpin  
Jack Herzog  
Jim House  
Jack Isbell  
Cincha Davis Kostman  
Geoff Mallard  
Rudy Martin  
Doug Michel  
Nick Nicholson  
Bill Ott  
Charles Pigeon  
Tony Prontaut -  
*Club Vice President*  
John Salzer  
Bob Taylor  
Tom Terry  
Mike Thompson  
Rudy Watkins  
Kimberly Wolf

## Area III

David Anderson  
Kathy Baseman  
Richard Boyink  
Terry Brown  
Ralph Broadstreet  
John Cadwallader  
Brian Conway  
George Cook  
Bob Dempsey  
Bob Dow  
Brent Duckworth  
Gerd Eysser  
Bruce Fannesbeck  
Rich Gruenhagen  
Bill Hart (SR)  
William Hart (BM)  
James Hetherington  
David Johnston  
Ron Karlosky  
Mike Kuhlmann  
Richard Kuhs  
Anthony Leonti  
David Leslie  
Alan Mann  
Jim Maresca  
Peter Monwai  
Bill Phillips

Glen Ritzmann  
Paul Sharples  
Ralph Smaldino  
Richard Tower  
Dan Vahalla  
Eric Van Stone  
Neville Verster  
Bruce Wiens  
Hunter Wylie  
David Yadron  
Norm Zareski

## Area IV

Gene Altekruze  
Bob Andersen  
Tom Asby  
Terry Asher  
Bob Banjac  
Jack Bruckman  
Phil Bucher  
Chick Cairo  
Mel Carney  
Skip Chandler  
Gordon Corbin  
Jim Ferry  
Dick Gillespie  
Bill Goodreau  
Kerry Holloway  
Gerry Jira  
Dan Klaers  
Bob Kiburz  
Harry Knapp  
Errol Koos  
Mike Lawson  
Jim Leonard  
Ian Mackay  
Doug Miller  
Edward Mallowney  
Jim Noble  
Jim Olson  
Jon Olson  
Barrett Peck  
Ronald Peterson  
Robert Phillips  
Robert Race  
Patrick Ryan  
Chuck Saponaro  
Vince Scarlata  
Fred Stummer  
Dave Thomsen  
Scott Thon  
Bill Wallace  
Mike Walters  
Leslie Woodin

## Federal

Steve Baldwin  
John Clark  
Jeff Corey  
John Davis  
Judy Goertz  
Karen Finger  
Bob Magee

Bill Malamphy  
Donna Malone  
Jim Palmer  
Jim Webster

## Canada

Dave Abraham  
Brent Cahill  
Gordon Curl  
John Forsyth  
Larry Geoghegan  
Ray Massey  
Bill McKenzie  
Rich Miles  
Jacques Morel  
Luc Noiseux  
Bruce O'Mara  
Tom Reynolds  
Tom Smith  
Dave Wilson  
Peter Wilson  
Rick Wilson  
Dave Underwood  
Henry Yee

## IED Distribution

John Holmgren

## Europe

Ray Fortune -  
*Vice President*  
Chuck Boesenberg -  
*Director, Sales & Marketing*  
Iain Davidson -  
*AM United Kingdom*  
Manfred Wittler -  
*AM Germany*  
Lucien Fradin -  
*AM Southern Area*  
Walter Loeffel -  
*AM Central Area*  
Kristoffer Sygel -  
*AM Nordic Area*

## United Kingdom

Bob Bastock  
Robert Baird  
Keith Bevis  
Mike Budden  
Brian Childs  
Alan Cox  
John Crooks  
Peter Dixon  
Roger Fay  
Len Green  
Brian Hellewell  
Mike Hingley  
Frank Leyland  
Mark Lunt -  
*Club Vice President*  
Peter Lynch  
Tom McCallum  
Terry McDermott



Colin Milner  
Derek Oates  
John Osborne  
Robert Reed  
Shaham Robertson  
Oscar Rook  
Nigel Sabine  
Brian Spurr  
Stewart Turner  
John Waddell

### **Germany**

Anton Beisswenger  
Eckhard Cronenberg  
Manfred Dreissig  
Hermann Messner  
Rainer Mittermayer  
Egbert Parthesius  
Gerd Ratgers  
Horst Reinert  
Fredrich Rohrbach  
Gerhard Steinert

### **Nordic Area**

#### **Sweden**

Per Brange  
Anders Ericsson  
Thomas Eriksson  
Per Erik Lundblad  
Tommie Mademark  
Bertil Peterson  
Neil Shelley

#### **Denmark**

John Davis  
Ole Laursen

#### **Finland**

Juhani Ahtiainen  
Timo Herttua  
Matti Hyppönen  
Arto Saari  
Raimo Savolainen

### **Southern Area**

#### **Belgium**

Pascal Dubray  
Didier Hees  
Bill James

#### **Italy**

Vincenzo Angelico  
Giovanni Angioni  
Gian Berton  
Claudio Fiocco  
Ambrogio Fossati  
Franco Guioi  
Gudolfo Lelli  
Romano Paggi  
Ceaudio Proietti  
Franco Roman  
Carrado Rossi  
Lorenzo Tilli

### **Holland**

Bart De Jong  
Rolf de Witt Huberts  
Willem Meelberg  
Dolf Starreveld  
Ton Van der Stap  
Fred Van der Zee  
Hans Wunderl

### **Spain**

Baldomero Concejo  
Teofilo del Pozo  
Emilio Flores  
Jorge Tamayo

### **France**

Andre Andrieux  
Philippe Czeher  
J.F. Delias  
Marcel Duroc  
Jean Kadar  
J.M. Lelay  
Jean Mouleyre  
Gerard Piquot  
Philippe Pradel

### **Central Area**

#### **Switzerland**

Paul Agopian  
Guido Mueller  
Roland Saner  
Jean Louis Widmer

#### **Austria**

Karl Czernoch  
Wolfgang Prassl

### **Distributors**

Mike Gallagher -  
*RSM Middle East and Israel*  
Paul Van Bergen -  
*RSM Africa*

### **MDS - Abu Dhabi**

Georges Hannouche

### **Team Computers - Israel**

Tom Granot  
Meir Lipshes  
Yigal Yaron

### **JKK - Nigeria**

Ola Tunji Odegbami

### **Americas / Far East**

Wayne Fitzsimmons -  
*Vice President*  
Jerry Greene -  
*General Manager / Asia Region*  
John Filmer -  
*General Manager / Australia*

Charles Kent -  
*General Manager / New Zealand*  
Dick Bright -  
*General Manager / Latin America*

### **Asia**

Pamela Ball  
Ben Wong  
Edmund Wong Sin Yee

### **Australia**

Les Auty  
David Cameron  
George Feher  
Geoff Forrester  
Andrew Hewitt  
Ian Holmes  
George John -  
*Club President*  
Irene Macaree  
Robert Sayers

### **New Zealand**

Don Beck  
Peter Fletcher  
David Haysom  
Clive Sergeant  
Don Smith

### **Latin America**

Federico Arauz  
Rubin Borquez  
Guillermo Gormaz  
Rudolfo Luttgies  
Gerard Michielsen  
Benny Noens  
Paulino Nunez

### **Distributors**

#### **OSI - Korea**

D.P. Kim  
K.H. Kim

#### **Colcomp - Colombia**

Oscar Arango  
German Vill Areal

### **Nippon•Data General**

Hisashi Tomino -  
*President*  
Takashi Suzuki -  
*Director, Sales & Marketing*  
Toshio Ando  
Takahide Arai  
Sukeshi Fujiya  
Junishi Juno  
Nobuya Kawasaki  
Shinichiro Kiyota  
Yoshikazu Kurihara  
Osamu Matsubara  
Eija Miyamoto

Takahisa Nishikawa  
Minoru Onozawa  
Hirohito Ozaki  
Shiro Saisu  
Takashi Shiba  
Yoshimasu Shimizu  
Kunio Tsunematsu  
Shinichi Watanabe  
Nobuyuki Yasuda  
Koichi Yasunaka -  
*Club Vice President*  
Jun Yokoyama  
Yoshihito Yusa

## Activities

### *And The Winner Is...*

Congratulations goes to Mark Cerny of Data General-Milford for designing the winning entry in the Data General Activities Committee Logo Contest. For his creative efforts, Mark will receive a \$50 gift certificate to the restaurant of his choice. See next week's *Mini News* for a look at the new Activities Committee logo!

### *Softball League Sign-Up For Individual Players*

There is still time for individual players to sign-up for this year's Data General Softball League. Interested employees are asked to contact League Commissioner Dennis Bishop at extension 6254. Your name will be placed in a players' pool or selectively placed on a team that fits your playing ability.

### *Circus Comes To The Centrum*

The Ringling Bros. Barnum and Bailey Circus is coming to the Worcester Centrum next month. The Data General Activities Committee has purchased discount tickets to the Saturday, April 27 performance at 11 a.m. Tickets are \$7.50 each. Send requests to CIRCUS MS D232, include a stamped, self-addressed envelope. Make checks payable to the Data General Activities Committee.

### *Visit The Museum Of Science*

Employees can obtain discount coupons for admission to the Museum of Science in Boston by sending a self-addressed, stamped envelope to MUSEUM OF SCIENCE, MS B111. By using the coupon, the bearer will only be charged a \$1 admission fee at the door. Please indicate the number of passes needed (limit is four per employee).

### *Join The Data General Runners' Club*

The Data General Runners' Club is off and running! The club is bringing together runners of all abilities to exchange information on training and racing, and organize corporate teams to compete in local races.

Whether you are an official veteran of Boston Marathons, a local 10K racer, or a 10-minute per mile jogger, the Runners' Club is seeking your involvement. The club's first meeting will be Wednesday, March 27 at 5 p.m. in the Cafeteria. If you would like advance information about the club, see the Activities bulletin boards or write Running Club, F036.

### *Attention Skiers*

Lift tickets are still available for the following areas: Waterville Valley, \$14; Mt. Snow, \$16; Cannon, \$13; Wilderness, \$9; Loon Mountain, \$11; Wachusett Mountain, \$8 for day or evening skiing and \$15 for unlimited all-day skiing. Call John Watkins at extension 5099 after 4 p.m. to reserve tickets. Please make all checks payable to Data General Ski Club.

### *Data General Wallyball League*

Wallyball League standings for the 1984-85 season, weeks 1 to 16, are as follows:

#### **Competitive Division**

Team #	Team Name	Won	Lost	Tied	Match Pts
21	Moura	44	7	0	88
2	Renaissance	36	13	2	74
1	Insecurity	35	12	1	71
3	Spanish Inquisition	24	22	2	50
6	Over The Hill Gang	12	38	1	25
20	CAD Tools	11	39	1	23
7	Murphy's Law	8	39	1	17

#### **Division A**

Team #	Team Name	Won	Lost	Tied	Match Pts
5	Off The Wall	43	8	0	86
10	WCIF	32	22	0	64
25	Commfusion	29	21	1	59
23	Wallbangers	28	25	1	57
9	Narwhals	26	25	0	52
22	Wingtips	26	22	0	52
16	Next Rev	23	31	0	46
24	The Open Wrecks	22	29	0	44
4	MSE Networkers	21	33	0	42
18	Cables	11	43	0	22

#### **Division B**

Team #	Team Name	Won	Lost	Tied	Match Pts
11	Flexible Flyers	44	8	2	90
8	Lynch Mob	40	14	0	80
17	DS & C	35	17	2	72
26	Misfits	28	26	0	56
12	Corp Mat I	27	24	0	54
27	Data_Who?	26	23	2	54
13	Corp Mat II	25	29	0	50
15	Nameless Horde	15	39	0	30
14	Wide Returns	15	39	0	30
19	Eng. Tools	9	45	0	18

## CARPOOL

**Join/Form** , carpool, Brighton/Newton to Webo, 8:30-5:00, Nancy x4160.

**Ride** , needed from N. Providence to Webo, daily, flex, (401) 353-0633 (N. Providence).

**Existing Carpool** , needs additional riders, Brookline/Brighton area to Webo/Sobo, hrs flex, User x7093.

## FOUND

**Cross Pen** , initials & date, Jeff x6344.

## MARKETPLACE

### FOR RENT

**Condo/Cottage** , Kennebunkport, ME, newly remodeled, slps 4, private beach, 755-0384 (Worcester).

**Summer House** , Dennis, MA, 3 bdrms, 400 yds to beach, \$440, 473-0463 (Milford).

**House** , on New Found Lake, Bristol, NH, 3 bdrms, 372-8056 (Haverhill).

**Apt** , 5 rm, Plantation St, Worcester, \$375 + util, 795-1971 (Worcester).

**Apt** , 2 bdrm, lg yard, \$500/mo, heat & hot water incl, 755-0194 (Leicester).

**House** , Chadham Cape Cod, 3 bdrms, 2 baths, lg deck, avail 6/29-7/6 and 8/24-8/31, \$650/wk, 626-0506 ((Chadham)).

**Apt** , 1 bdrm, \$400/mo, elec & heat incl, no lease, 839-9086 (N. Grafton).

### ANTED

**Tickets** , for Prince, 473-5939 (Milford).

**Roommate** , to share apt in Worcester area, 237-0722 (Wellesley).

**Programmable Calculator** , T.I.59, w/wo software libraries, accessories, 870-0611 (Westboro).

**Musicians** , for non-professional jazz combo, 620-1705 (Framingham).

### FOR SALE

**Condo** , fireplace, slider to deck, LR w/oak floor, tile entry, \$144,500, 568-0174 (Hudson).

**Atari 2600** , w/ 14 cartridges, joysticks & paddles, \$60, 842-6417 (Shrewsbury).

**Weight Machine** , power pak 2000 fitness center, 43 exercises, incl bench & leg press, arm and leg curls, \$175, 842-5424 (Shrewsbury).

**Sears Kenmore Gas Stove/Oven** , 4 burner, \$100/BO, 655-1323 (Natick).

**Ajay Exer-chair** , incl leg lift, butterfly, weights, \$100, 966-2978 (Bellingham).

**Household Items** , furniture, woodstove, curtains, etc., must sell, 234-9694 (Whitinsville).

**Double Baby Stroller** , side by side, 754-7149 (Worcester).

**Puppies** , AKC registered champion sired golden retriever, 533-8272 (Medway).

**Sofabed** , full size, plaid, \$425, 881-4437 (Ashland).

**'81 KTM 390** , dirtbike, 485-8422 (Marlboro).

**Celestron Telephoto Lens** , 1000 mm telephoto, never used, 756-3838 (Shrewsbury).

**Teac Reel to Reel Tape Deck** , \$150/BO, 481-0850 (Marlboro).

**'82 Palomino Colt Camper** , awning, stove, sink, slps 6, 18 ft, \$2000, 366-8003 (Westboro).

**Silver Reed Wide Carriage Typewriter** , correcting, all metal, \$375/BO, 384-6259 (Wrentham).

**Upland Wood Stove** , model #206, \$375, 478-0846 (Mendon).

**Items** , portable color TV in cabinet, \$125; green vinyl recliner, \$10; mauve rug 12 x 6, \$50; GM toddler car seat \$3; 10 spd men's bike, \$25, 481-4140 (Marlboro).

**Tire Rims** , 15 in 5 lugs, 14 in 5 lugs, 473-4347 (Milford).

**Items** , Farberware oven, new; washer/dryer; gown, sz 11; purple shag rug w/liner, 845-6377 (Shrewsbury).

### AUTOS

**'74 Ford Gran Torino** , many new parts, \$1000/BO, 372-8056 (Haverhill).

**'76 Comet** , 2 dr sedan, 6 cyl, 250 CID engine, low mileage, \$900/BO, 256-3775 (Chelmsford).

**'76 Mercury Monarch** , AC, PS/PB, 2 dr, new tires, exhaust, \$1100, 655-3421 (Natick).

**'76 Ford Granada** , needs work, BO, 478-3649 (Milford).

**'76 Olds 98 Regency** , loaded, \$1800, 478-0818 (Milford).

**'76 Fiat 128** , 4 dr, fwd, 70K mi, \$425. 366-1724 (Westboro).

**'77 Pontiac Grand Lemans** , 8 cyl, 301 eng, PS/PB, AC, 84K mi, \$2000/BO, 875-6860 (Framingham).

**'77 Montecarlo** , PS/PB, AC, \$2200/BO, 832-3424 (Auburn).

**'78 C-20 Chevy Fleetside Pickup** , w/extras, 529-4427 (Upton).

**'78 Dodge Pickup** , custom 100, 8 ft bed, \$2300/BO, 853-7028 (Worcester).

**'78 Fiat Bertone X19** , \$2600, 842-6156 (Shrewsbury).

**'79 Mercury Capri Ghia** , hatch, AM/FM/cassette, 4 spd, PS/PB, \$3000/BO, 365-5676 (Lancaster).

**'79 Ford F-250 Ranger XLT Lariat 4x4** , 3/4 ton, 4 spd, 62K mi, AM/FM, 8 ft Fisher plow, 829-9345 (Holden).

**'79 AMC Spirit** , 6 cyl, auto, new tires, low mileage, \$2500, 799-5472 (Shrewsbury).

**'79 Firebird Formula** , 60K mi, auto, 8 cyl 350, many options, \$5950/BO, 481-2122 (Marlboro).

**'79 Mercury Cougar XR7** , 65K mi, 798-2060/799-6095 (Shrewsbury).

**'80 Suzuki 450 L** , \$800, 328-9433 (Franklin).

**'80 Chevy Citation** , 4 dr, hatch, stereo, \$2100/BO, 853-2103 (Worcester).

**'81 Citation** , 54K mi, snrf, std, PS, \$2500, 485-6159 (Marlboro).

**'81 Pontiac Bonneville** , 6 cyl, PW/PB, AM/FM, 2 yr warranty, \$5650, 365-4604 (Clinton).

**'81 Kawasaki 440 LTD** , \$800/BO, 757-4819 (Shrewsbury).

**'82 Toyota Celica Supra** , black, leather interior, 5 spd, loaded, \$10,500/BO, 899-9625 (Waltham).

**'82 Mazda 626** , sedan, new struts, muffler, 40K mi, alarm, \$6000, 265-6583 (Boston).

**'82 Firebird** , 4 spd, 48K mi, 4 cyl, \$4600, 485-2730 (Southboro).

**'83 Nissan Sentra** , auto, AM/FM, 4 dr sedan, 33K mi, recently tuned, \$5500, 620-0759 (Framingham).

**'83 Jeep CJ-7** , Renegade, hard top, PS, 4 spd, 6 cyl, \$8000/BO, 238-4645 (E. Boston).

**'83 VW Rabbit** , 12K mi, fuel injection, 4 spd, radials, \$5800, 353-0258 (Boston).

**'83 Dodge Aries K-Wagon** , auto, PS/PB, AC, 865-4934 (Millbury).

**'84 Jeep Renegade CJ7** , maroon w/bl hardtop, 4 spd, AM/FM, 25K mi, \$8800, 528-1449 (Franklin).

**'84 Z28 Camaro** , loaded, deluxe sports interior, t-roof, power seats, 13K mi, \$11,500, 478-4151 (Milford).

## MENU

**Pizzeria** , phone orders 10 a.m. - 2 p.m., call extension 4376.

**Westboro** , Monday, St. Patrick's Day Special; Tuesday, Chinese Day/Stuffed Shells; Wednesday, Liver & Onions/Bacon Cheese Burger; Thursday, Seafood Roll/Chicken Cutlet Sandwich; Friday, Baked/Fried Fish.

**Milford** , Monday, Salisbury Steak; Tuesday, Baked Ham; Wednesday, Roast Turkey; Thursday, Baked Lasagna; Friday, Fried Fish.

**Southboro** , Monday, Chicken Croquettes; Tuesday, Salisbury Steak; Wednesday, Baked Lasagna; Thursday, Swedish Meatballs; Friday, Fried Fish.

### Hours

**Westboro Cafeteria** , full breakfast, 6:30 a.m. - 8:30 a.m.; lunch, 11:30 a.m. - 1:30 p.m.; open from 6:30 a.m. - 3:00 p.m. for beverages.

**Dee Gee's** , full breakfast, 6:00 a.m. - 8:30 a.m.; lunch, 11:30 a.m. - 1:30 p.m.; ice cream, 11:30 a.m. - 3:00 p.m..

**Pizzeria** , serving from 10:00 a.m. - 2:00 p.m..

**Milford** , full breakfast, 6:30 a.m. - 8:30 a.m.; lunch, 11:15 a.m. - 1:15 p.m.; supper, 5:30 p.m. - 7:30 p.m.; open from 6:30 a.m. - 3:15 p.m. for beverages.

**Southboro** , full breakfast, 6:30 - 10:00; lunch, 11:15 - 1:00; open from 6:30 - 3:00 for beverages.



## Compared to Data General's desktop, the IBM PC-AT seems a little empty.

If you need a networked multi-user micro system today, there's no comparison.

Data General's DESKTOP GENERATION™ has delivered for over a year the multi-user applications that the IBM PC-AT only promises.

What can Data General deliver today? Distributed data processing. Connectability to other vendors' equipment, including IBM mainframes. Fully integrated office automation, using our CEO® systems.

Can you get all this from the IBM PC-AT?

It's anyone's guess when the IBM PC-AT will have all the capabilities Data General's DESKTOP GENERATION gives you now. So in today's business battle, don't get caught using yesterday's technology.

Choose Data General. And choose productivity over promises. For more information, call 1-800-DATAGEN.



Vendor Supplied Features	Data General Model 20	IBM PC-AT Model 99
Multi-User*	Up To 16	Up To 3 Promised
<b>OFFICE AUTOMATION</b>		
Word Processing	Integrated	Stand Alone
Electronic Filing		Stand Alone
Calendar & Scheduling		Stand Alone
Electronic Mail		Stand Alone
Phone Messaging		Stand Alone
Decision Support		Stand Alone
Interrupt Capability		Stand Alone

Cartridge Tape Backup	Yes	No
Maximum Hard Disk Storage	77 MB	40 MB
Multi-User SNA	Yes	Promised
X.25 Networking	Yes	No
Ethernet	Yes	No
BASIC	Yes	Yes
COBOL	Yes	Yes
FORTRAN	Yes	Yes
Pascal	Yes	Yes
Multi-User Applications	Now	Promised

Data General delivers what IBM only promises.

\*Depending on application.

Chart based on trade press articles, IBM literature, industry reporting publications and data supplied by industry reporting sources.

The IBM logo is a registered trademark of International Business Machines Corporation. CEO is a registered trademark, and DESKTOP GENERATION is a trademark of Data General Corporation. © 1984 Data General Corporation, Westboro, MA

 **Data General**  
a Generation ahead.