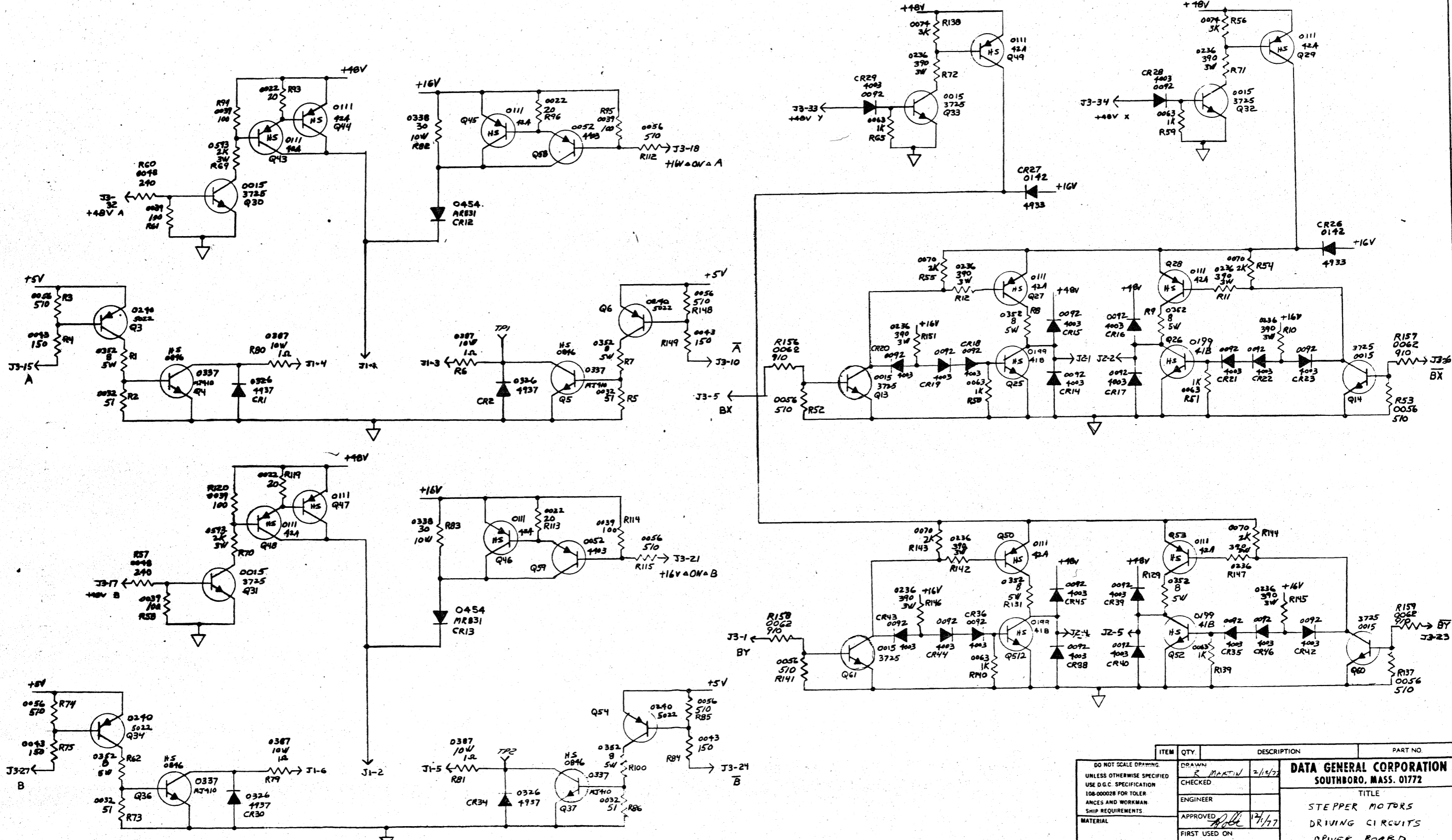


ALL DIMENSIONS AND SPECIFICATIONS HEREIN ARE THE PROPERTY OF DATA GENERAL CORPORATION AND SHALL NOT BE REPRODUCED OR COPIED OR USED IN WHOLE OR IN PART AS THE BASIS FOR MANUFACTURE OR SALE OF ITEMS WITHOUT WRITTEN PERMISSION.

REVISIONS				
REV	DESCRIPTION	DRFTG	APP BY	DATE
1				



ITEM	QTY.	DESCRIPTION	PART NO.
DO NOT SCALE DRAWING UNLESS OTHERWISE SPECIFIED USE D.G.C. SPECIFICATION 108-00028 FOR TOLERANCES AND WORKMANSHIP REQUIREMENTS			
DRAWN R. MARTIN 2/14/77		DATA GENERAL CORPORATION SOUTHBORO, MASS. 01772	
CHECKED		TITLE	
ENGINEER		STEPPER MOTORS DRIVING CIRCUITS DRIVER BOARD	
APPROVED [Signature] 12/1/77		DRAWING NUMBER	
FIRST USED ON		REV	
SCALE		CODE IDENT	SIZE
		34984	D 001
		001226	06