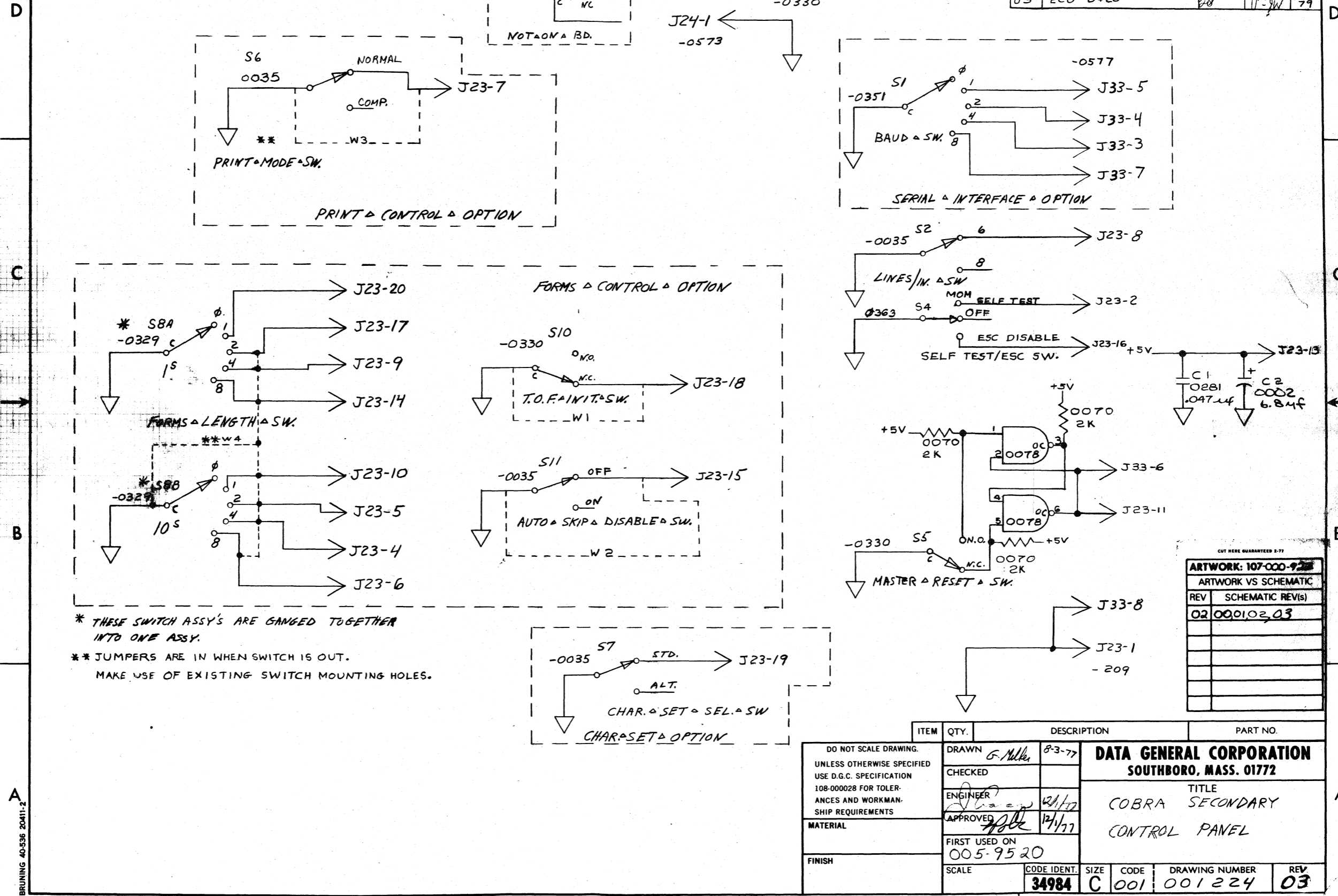


THIS DRAWING AND SPECIFICATIONS HEREIN ARE THE PROPERTY OF DATA GENERAL CORPORATION AND SHALL NOT BE REPRODUCED OR COPIED OR USED IN WHOLE OR IN PART AS THE BASIS FOR MANUFACTURE OR SALE OF ITEMS WITHOUT WRITTEN PERMISSION.

REVISIONS				
REV.	DESCRIPTION	DRFTG.	APP. BY	DATE
00	RELEASED PER ECO D341			1/14/77
C1	ECO D383		GMA	2/24/78
02	ECO E436			8/29/78
03	ECO B420			2-15-79



\* THESE SWITCH ASSY'S ARE GANGED TOGETHER INTO ONE ASSY.  
 \*\* JUMPERS ARE IN WHEN SWITCH IS OUT.  
 MAKE USE OF EXISTING SWITCH MOUNTING HOLES.

ARTWORK: 107-000-928	
ARTWORK VS SCHEMATIC	
REV	SCHEMATIC REV(S)
02	00,01,02,03

ITEM	QTY.	DESCRIPTION	PART NO.
DO NOT SCALE DRAWING. UNLESS OTHERWISE SPECIFIED USE D.G.C. SPECIFICATION 108-000028 FOR TOLERANCES AND WORKMANSHIP REQUIREMENTS			
DRAWN G. Miller 8-3-77		<b>DATA GENERAL CORPORATION</b> SOUTHBORO, MASS. 01772	
CHECKED			
ENGINEER [Signature] 12/1/77		TITLE COBRA SECONDARY CONTROL PANEL	
APPROVED [Signature] 12/1/77		FIRST USED ON 005-9520	
MATERIAL		SCALE	
FINISH		CODE IDENT. 34984	SIZE C
		CODE 001	DRAWING NUMBER 001224
			REV 03

BRUNING 40-536 20411-2

013000837