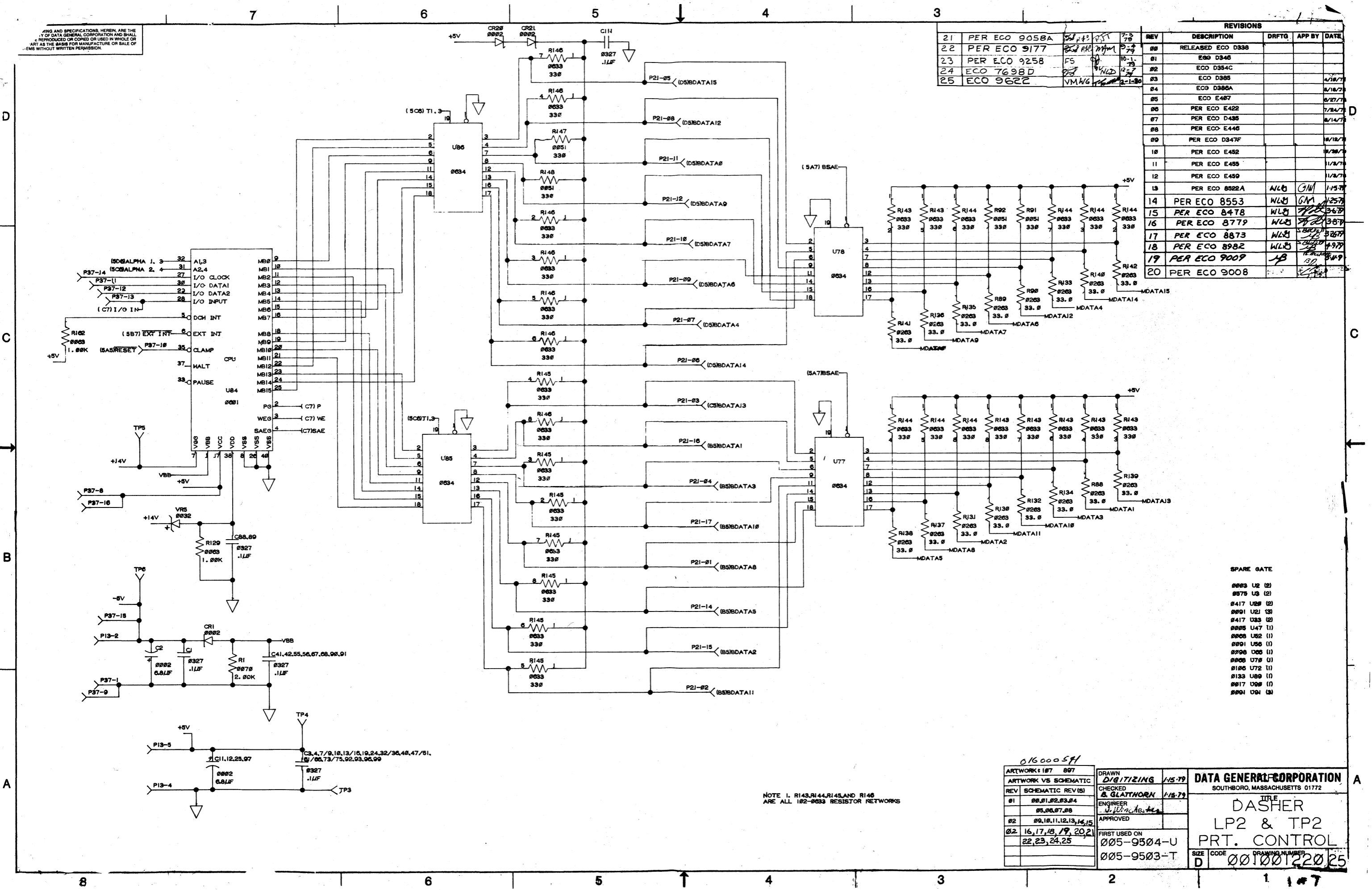


FIG AND SPECIFICATIONS HEREIN ARE THE PROPERTY OF DATA GENERAL CORPORATION AND SHALL NOT BE REPRODUCED OR COPIED OR USED IN WHOLE OR IN PART AS THE BASIS FOR MANUFACTURE OR SALE OF EQUIPMENT WITHOUT WRITTEN PERMISSION.

REV		DESCRIPTION	DRFTG	APP BY	DATE
21	PER ECO 9058A				
22	PER ECO 9177				
23	PER ECO 9258				
24	ECO 7698D				
25	ECO 9622				

REVISIONS					
REV	DESCRIPTION	DRFTG	APP BY	DATE	
00	RELEASED ECO D338				
01	ECO D346				
02	ECO D354C				
03	ECO D385				
04	ECO D386A				
05	ECO E487				
06	PER ECO E422				
07	PER ECO D438				
08	PER ECO E446				
09	PER ECO D347F				
10	PER ECO E452				
11	PER ECO E455				
12	PER ECO E459				
13	PER ECO 8522A	NLS	GM	1-15-79	
14	PER ECO 8553	NLS	GM	1-25-79	
15	PER ECO 8478	NLS		3-6-79	
16	PER ECO 8779	NLS		3-8-79	
17	PER ECO 8873	NLS		3-26-79	
18	PER ECO 8982	NLS		4-9-79	
19	PER ECO 9009	NLS		5-4-79	
20	PER ECO 9008				



- SPARE GATE
- 0003 U2 (2)
 - 0075 U3 (2)
 - 0417 U28 (2)
 - 0001 U21 (3)
 - 0417 U33 (2)
 - 0005 U47 (1)
 - 0008 U52 (1)
 - 0001 U56 (1)
 - 0008 U65 (1)
 - 0008 U75 (1)
 - 0106 U72 (1)
 - 0133 U89 (1)
 - 0017 U99 (1)
 - 0001 U91 (2)

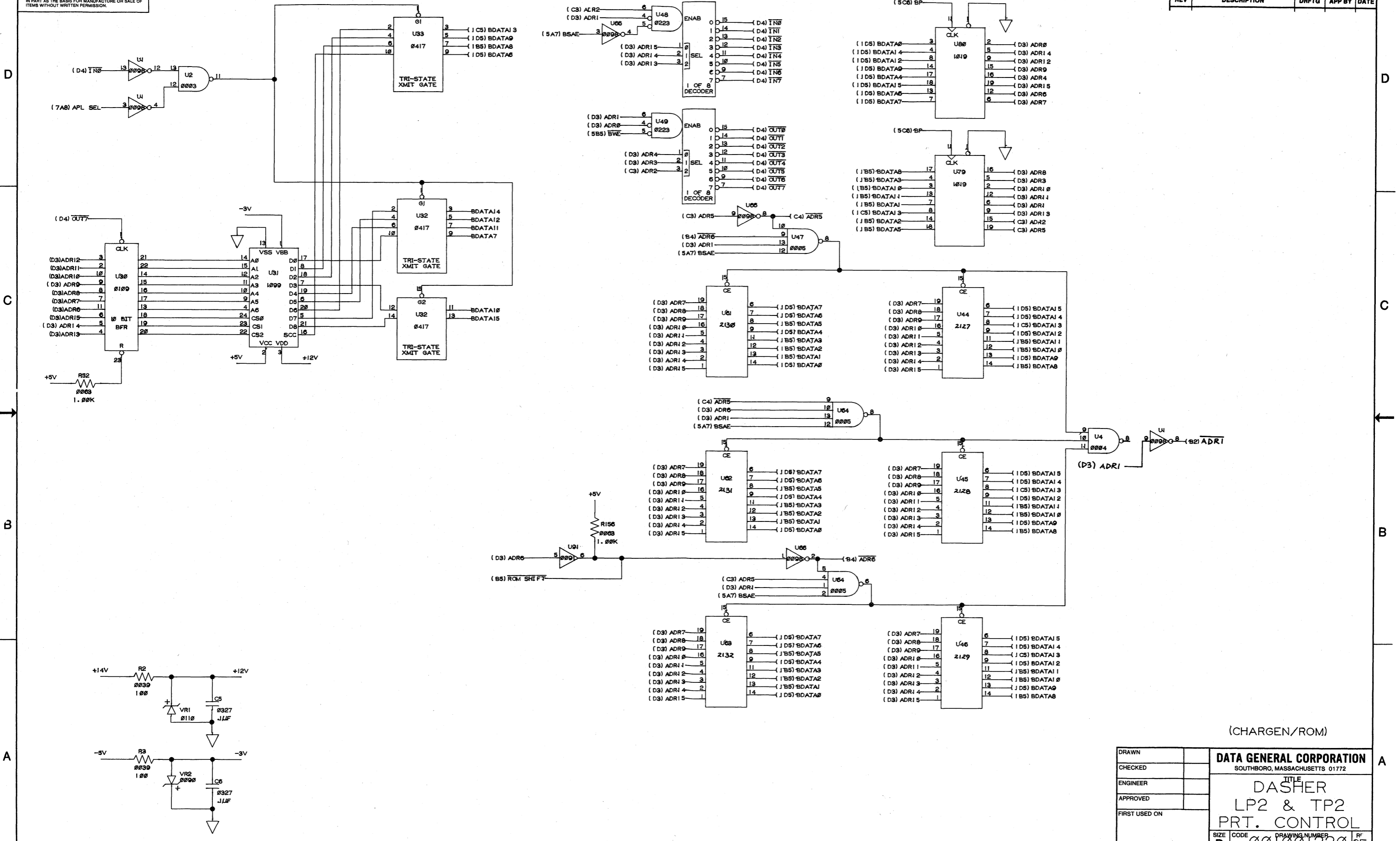
NOTE 1. R143, R144, R145, AND R146 ARE ALL 102-0633 RESISTOR NETWORKS

016000541

ARTWORK: 187	897	DRAWN	DIGITIZING	1/15-79	DATA GENERAL CORPORATION SOUTH BORO, MASSACHUSETTS 01772
ARTWORK VS SCHEMATIC		CHECKED	& GLATHORN	1/15-79	
REV	SCHEMATIC REV(S)	ENGINEER	APPROVED		
01	00,01,02,03,04				
02	05,06,07,08				
03	09,10,11,12,13,14,15				
04	16,17,18,19,20,21				
05	22,23,24,25				
FIRST USED ON		005-9504-U			
		005-9503-T			
SIZE	CODE	DRAWING NUMBER			
D		00100122025			

THIS DRAWING AND SPECIFICATIONS, HEREIN, ARE THE PROPERTY OF DATA GENERAL CORPORATION AND SHALL NOT BE REPRODUCED OR COPIED OR USED IN WHOLE OR IN PART AS THE BASIS FOR MANUFACTURE OR SALE OF ITEMS WITHOUT WRITTEN PERMISSION.

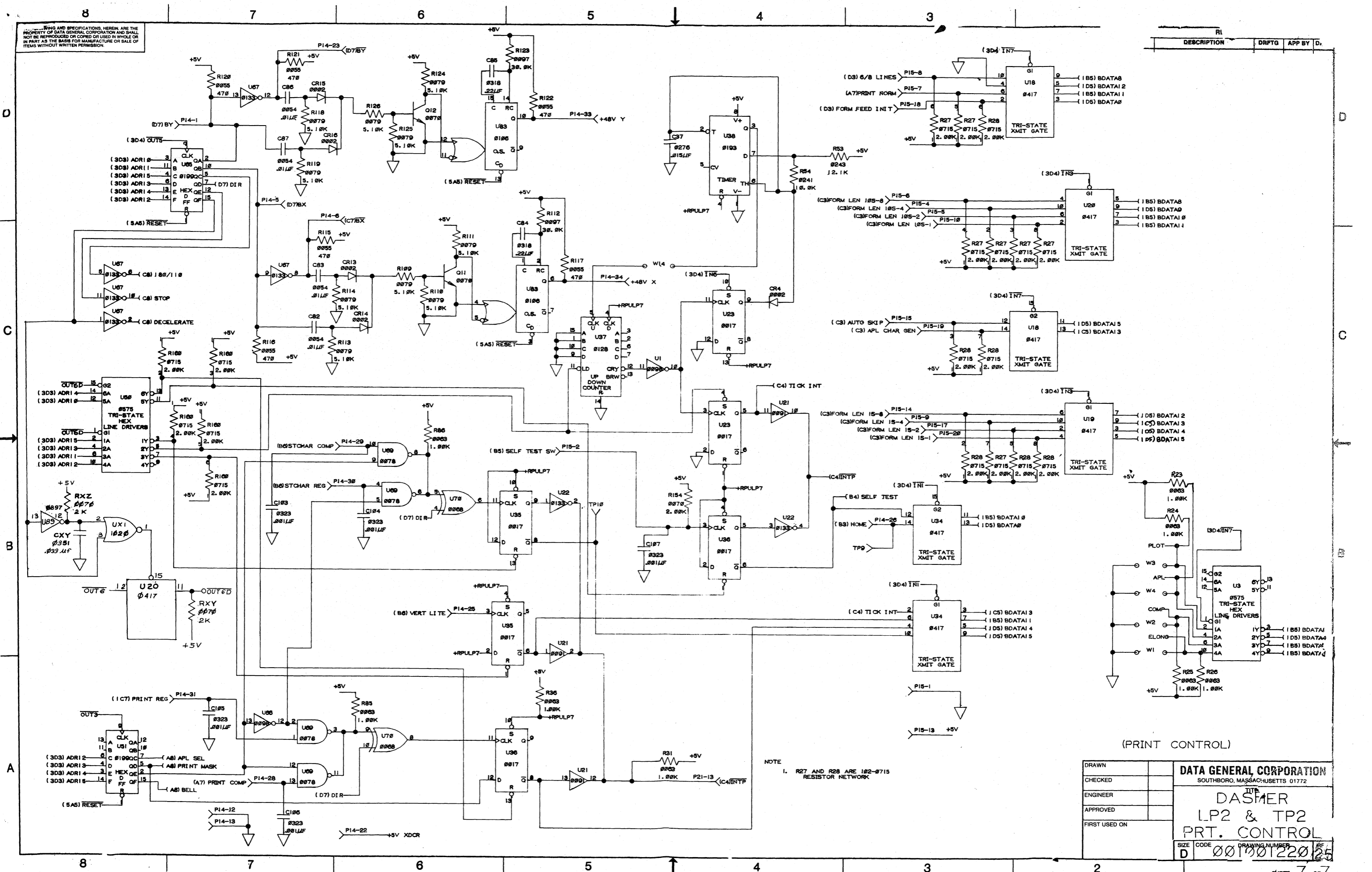
REVISIONS				
REV	DESCRIPTION	DRFTG	APP BY	DATE



(CHARGEN/ROM)

DRAWN		DATA GENERAL CORPORATION SOUTHBORO, MASSACHUSETTS 01772 TITLE DASHER LP2 & TP2 PRT. CONTROL SIZE CODE DRAWING NUMBER D 001001220	RF 25
CHECKED			
ENGINEER			
APPROVED			
FIRST USED ON			

...ING AND SPECIFICATIONS, HEREIN, ARE THE PROPERTY OF DATA GENERAL CORPORATION AND SHALL NOT BE REPRODUCED OR COPIED OR USED IN WHOLE OR IN PART AS THE BASIS FOR MANUFACTURE OR SALE OF ITEMS WITHOUT WRITTEN PERMISSION.



NOTE
1. R27 AND R28 ARE 102-0715 RESISTOR NETWORK

(PRINT CONTROL)

DRAWN		DATA GENERAL CORPORATION SOUTHBORO, MASSACHUSETTS 01772 DASHER LP2 & TP2 PRT. CONTROL SIZE CODE 00 DRAWING NUMBER 001301220125
CHECKED		
ENGINEER		
APPROVED		
FIRST USED ON		