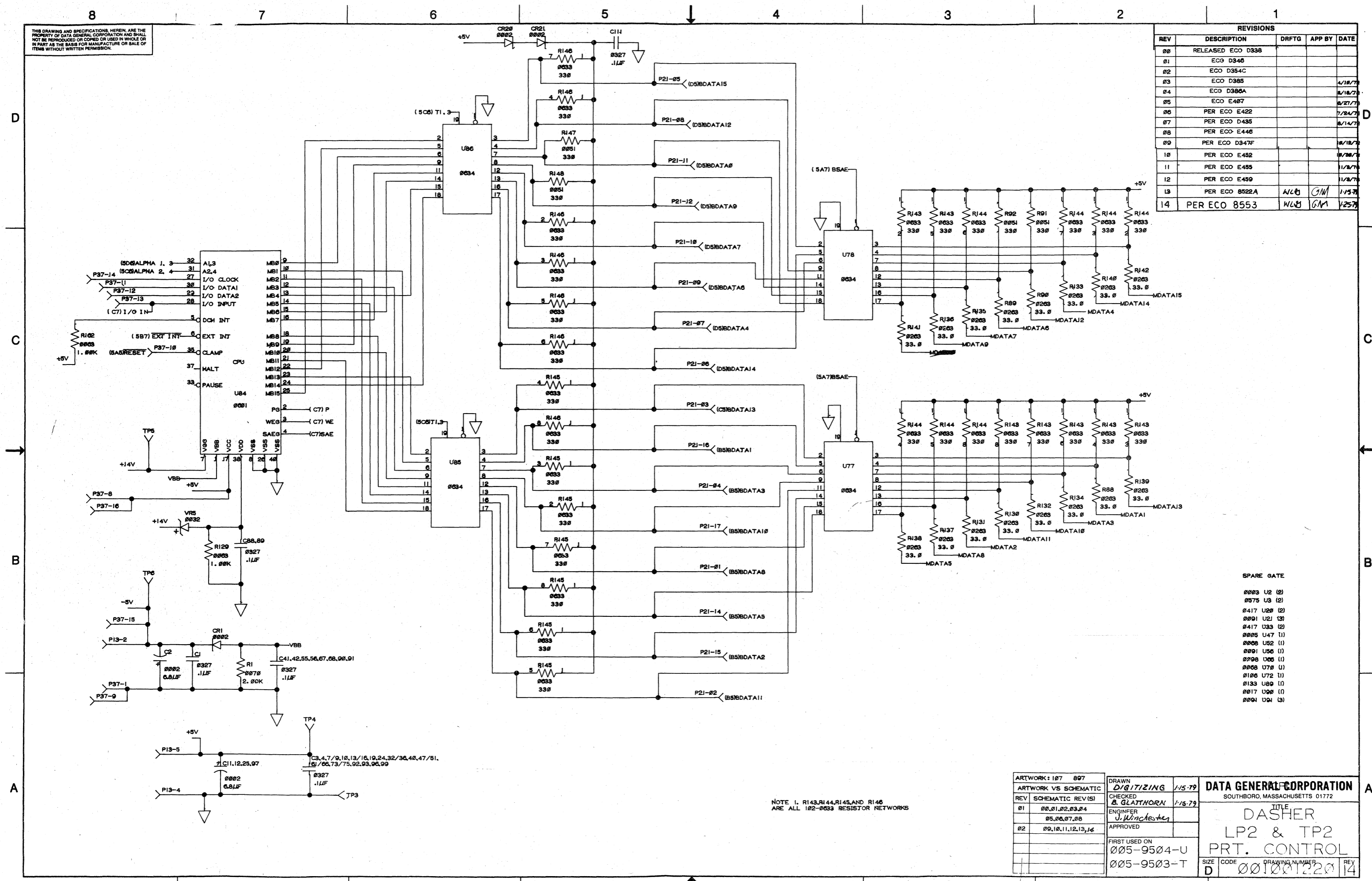


THIS DRAWING AND SPECIFICATIONS, HEREIN, ARE THE PROPERTY OF DATA GENERAL CORPORATION AND SHALL NOT BE REPRODUCED OR COPIED OR USED IN WHOLE OR IN PART AS THE BASIS FOR MANUFACTURE OR SALE OF ITEMS WITHOUT WRITTEN PERMISSION.

REVISIONS				
REV	DESCRIPTION	DRFTG	APP BY	DATE
00	RELEASED ECO D338			
01	ECO D346			
02	ECO D354C			
03	ECO D385			4/18/77
04	ECO D386A			5/18/77
05	ECO E487			8/27/77
06	PER ECO E422			7/24/77
07	PER ECO D435			8/14/77
08	PER ECO E446			
09	PER ECO D347F			10/12/77
10	PER ECO E482			11/2/77
11	PER ECO E455			11/2/77
12	PER ECO E459			11/2/77
13	PER ECO 8522A	NLB	GM	1/13/78
14	PER ECO 8553	NLB	GM	1/25/78



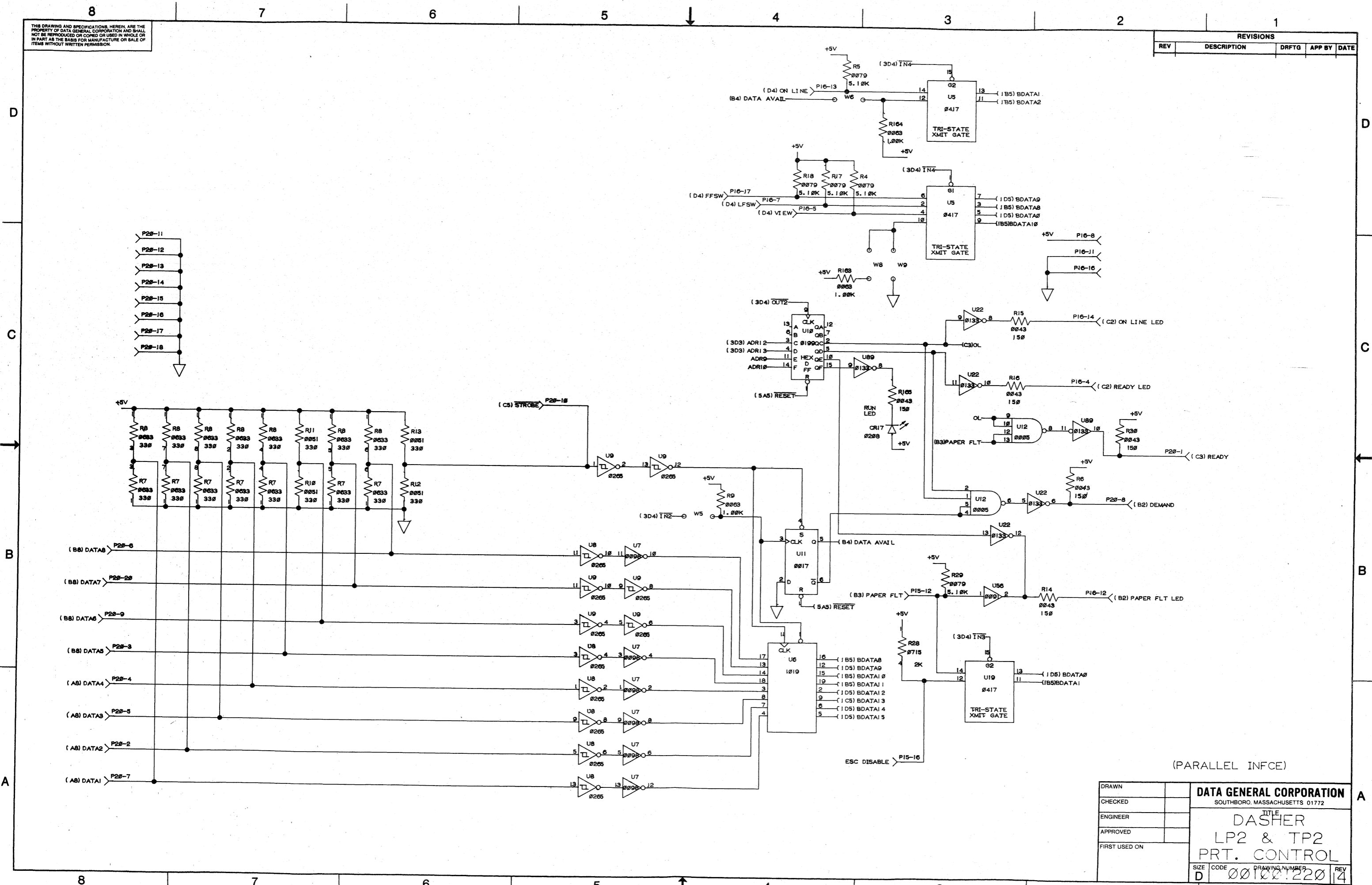
- SPARE GATE
- 0003 U2 (2)
 - 0075 U3 (2)
 - 0417 U20 (2)
 - 0091 U21 (3)
 - 0417 U33 (2)
 - 0005 U47 (1)
 - 0006 U52 (1)
 - 0091 U56 (1)
 - 0098 U66 (1)
 - 0006 U70 (1)
 - 0106 U72 (1)
 - 0133 U89 (1)
 - 0017 U90 (1)
 - 0094 U94 (3)

NOTE 1. R143, R144, R145, AND R146 ARE ALL 102-0633 RESISTOR NETWORKS

ARTWORK: 107 897	DRAWN: DIGITIZING 1/15/79	DATA GENERAL CORPORATION SOUTHBORO, MASSACHUSETTS 01772
ARTWORK VS SCHEMATIC	CHECKED: B. GLATTHORN 1/15/79	
REV: SCHEMATIC REV(S)	ENGINEER: J. Winchester	TITLE: DASHER LP2 & TP2 PRT. CONTROL
01 00,01,02,03,04	APPROVED:	SIZE: D CODE: 001001220 REV: 14
02 09,10,11,12,13,14	FIRST USED ON: 005-9504-U	
	005-9503-T	

THIS DRAWING AND SPECIFICATIONS, HEREIN, ARE THE PROPERTY OF DATA GENERAL CORPORATION AND SHALL NOT BE REPRODUCED OR COPIED OR USED IN WHOLE OR IN PART AS THE BASIS FOR MANUFACTURE OR SALE OF ITEMS WITHOUT WRITTEN PERMISSION.

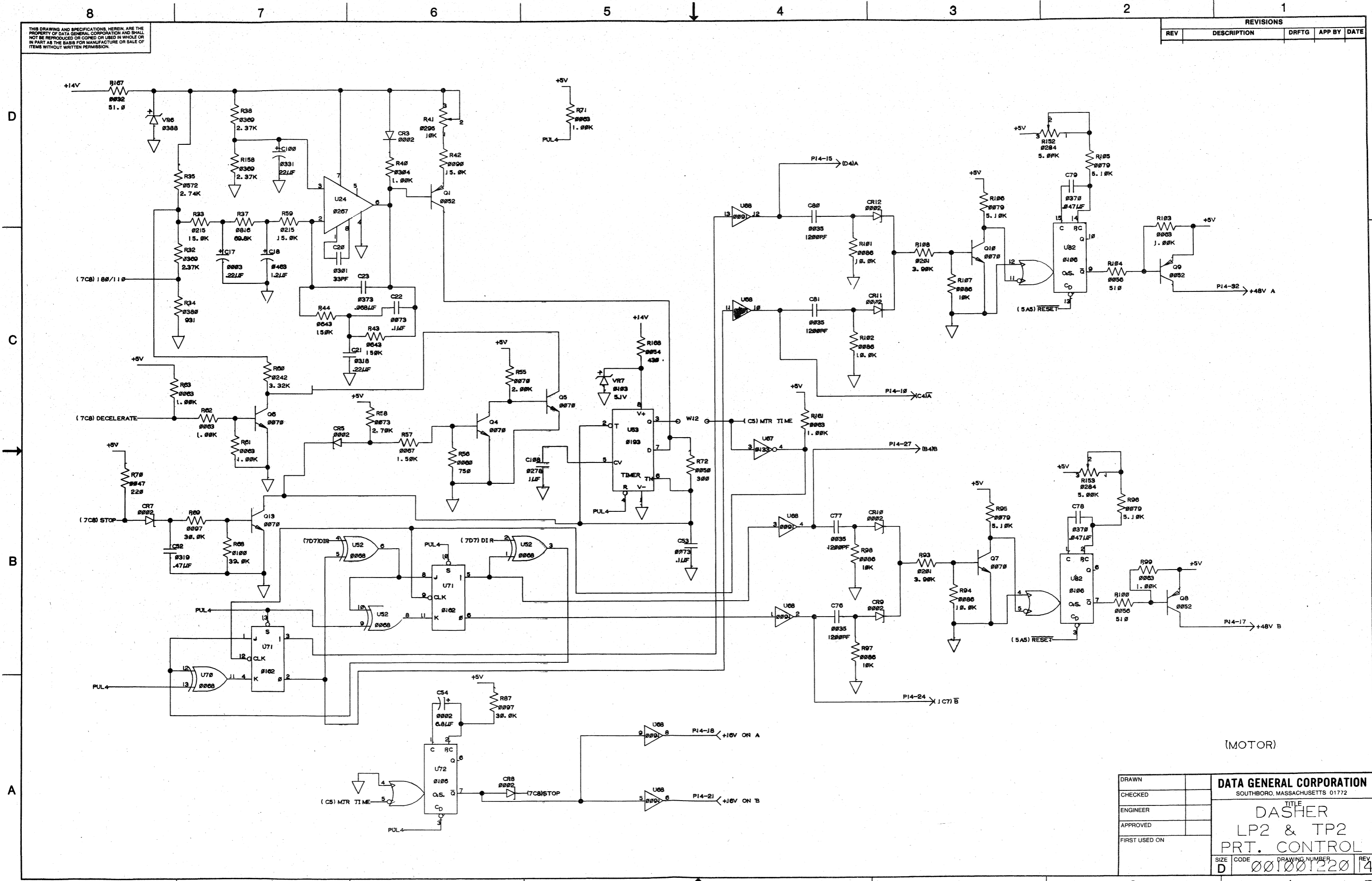
REVISIONS			
REV	DESCRIPTION	DRFTG	APP BY DATE



DRAWN		DATA GENERAL CORPORATION SOUTHBORO, MASSACHUSETTS 01772 TITLE DASHER LP2 & TP2 PRT. CONTROL SIZE CODE DRAWING NUMBER REV D 001001220 14
CHECKED		
ENGINEER		
APPROVED		
FIRST USED ON		

THIS DRAWING AND SPECIFICATIONS HEREIN ARE THE PROPERTY OF DATA GENERAL CORPORATION AND SHALL NOT BE REPRODUCED OR COPIED OR USED IN WHOLE OR IN PART AS THE BASIS FOR MANUFACTURE OR SALE OF ITEMS WITHOUT WRITTEN PERMISSION.

REVISIONS				
REV	DESCRIPTION	DRFTG	APP BY	DATE

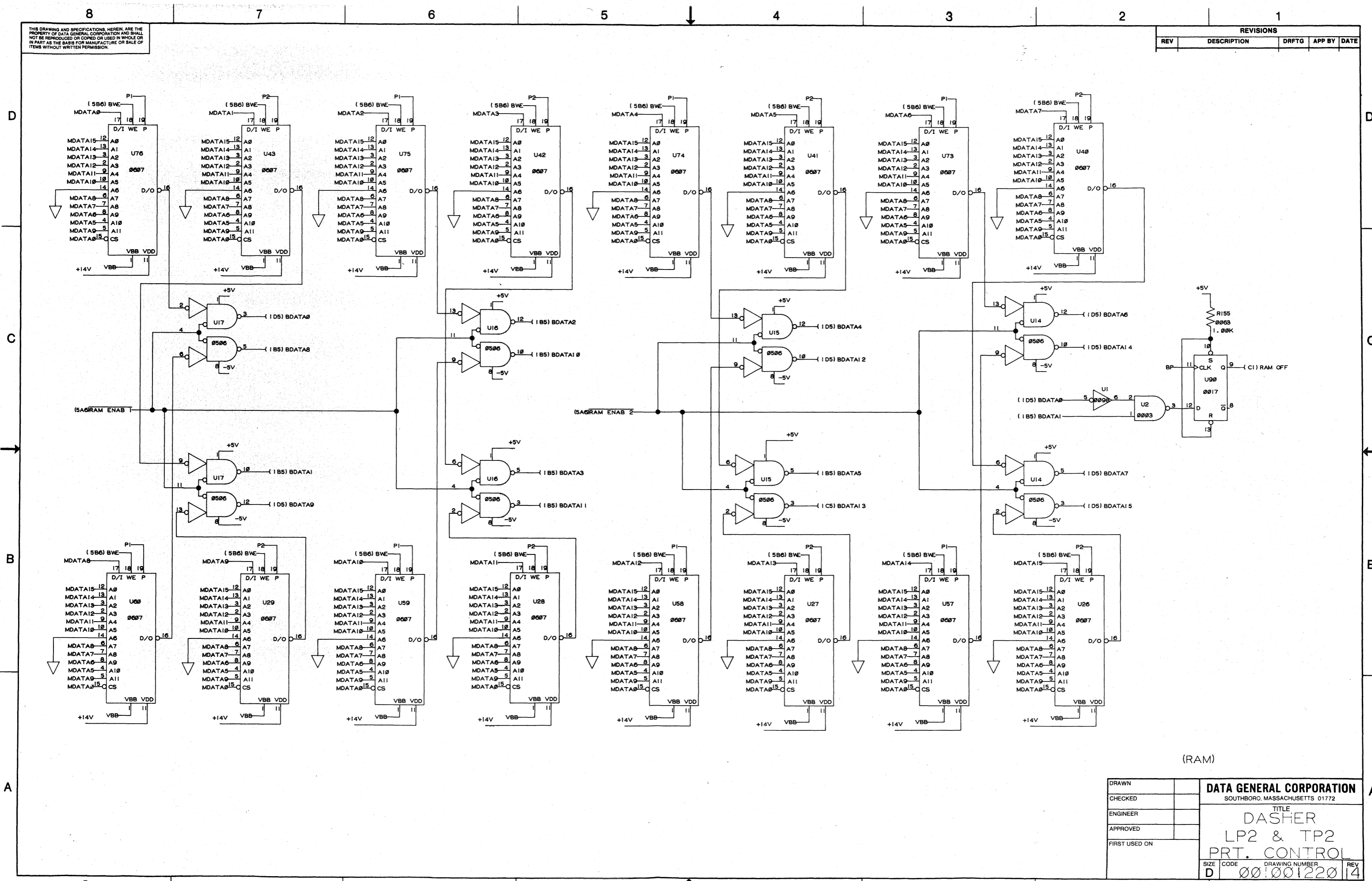


(MOTOR)

DRAWN		DATA GENERAL CORPORATION SOUTH BORO, MASSACHUSETTS 01772 TITLE DASHER LP2 & TP2 PRT. CONTROL SIZE CODE DRAWING NUMBER REV D 001001220 14
CHECKED		
ENGINEER		
APPROVED		
FIRST USED ON		

THIS DRAWING AND SPECIFICATIONS HEREIN ARE THE PROPERTY OF DATA GENERAL CORPORATION AND SHALL NOT BE REPRODUCED OR COPIED OR USED IN WHOLE OR IN PART AS THE BASIS FOR MANUFACTURE OR SALE OF ITEMS WITHOUT WRITTEN PERMISSION.

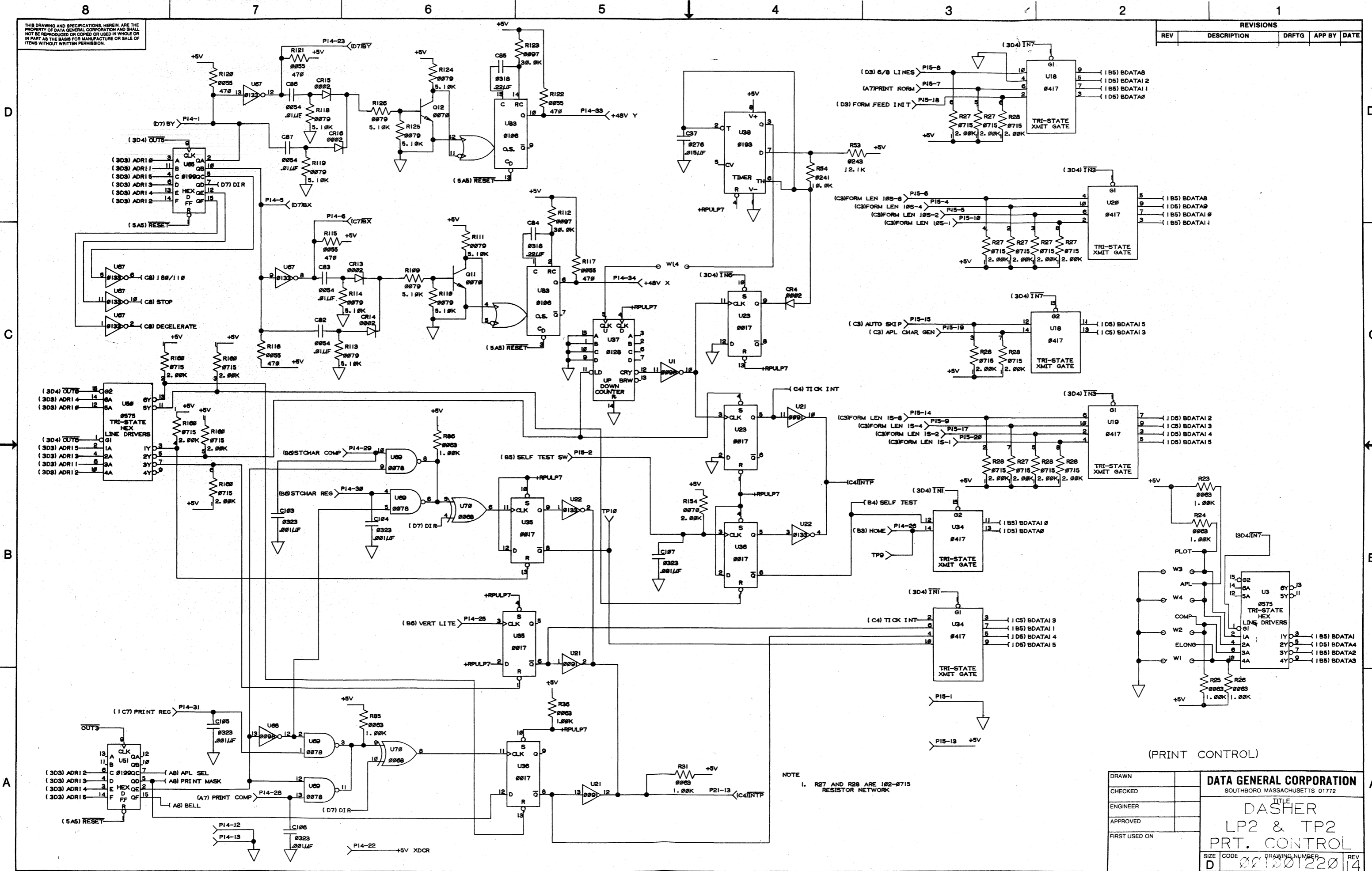
REVISIONS				
REV	DESCRIPTION	DRFTG	APP BY	DATE



DRAWN		DATA GENERAL CORPORATION SOUTHBORO, MASSACHUSETTS 01772 TITLE DASHER LP2 & TP2 PRT. CONTROL SIZE CODE DRAWING NUMBER REV D 001001220 14
CHECKED		
ENGINEER		
APPROVED		
FIRST USED ON		

THIS DRAWING AND SPECIFICATIONS, HEREIN, ARE THE PROPERTY OF DATA GENERAL CORPORATION AND SHALL NOT BE REPRODUCED OR COPIED OR USED IN WHOLE OR IN PART AS THE BASIS FOR MANUFACTURE OR SALE OF ITEMS WITHOUT WRITTEN PERMISSION.

REVISIONS			
REV	DESCRIPTION	DRFTG	APP BY DATE



NOTE
1. R27 AND R28 ARE 102-0715 RESISTOR NETWORK

(PRINT CONTROL)

DRAWN		DATA GENERAL CORPORATION SOUTHBORO MASSACHUSETTS 01772 TITLE DASHER LP2 & TP2 PRT. CONTROL SIZE CODE 0012001220 REV 14
CHECKED		
ENGINEER		
APPROVED		
FIRST USED ON		