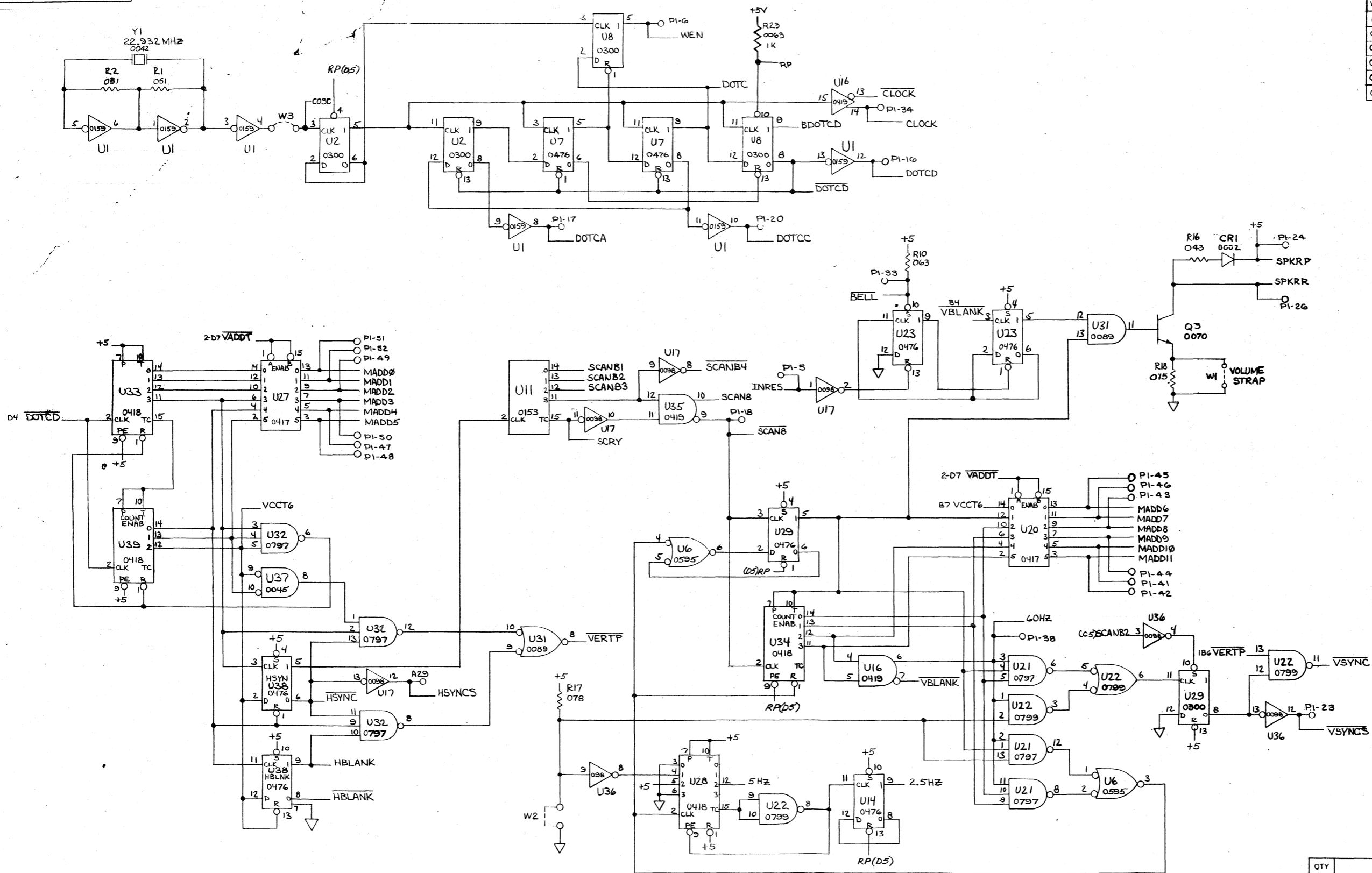


THIS DRAWING AND SPECIFICATIONS, HEREIN, ARE THE PROPERTY OF DATA GENERAL CORPORATION AND SHALL NOT BE REPRODUCED OR COPIED OR USED IN WHOLE OR IN PART AS THE BASIS FOR MANUFACTURE OR SALE OF ITEMS WITHOUT WRITTEN PERMISSION.

REVISIONS			
REV	DESCRIPTION	DRFTG	APP BY
00	ISSUED PER E-117-27		
01	ECO B019 A	WLG	1-19-77
02	ECO B020	WLG	1-19-77
03	ECO B053 A	WLG	1-19-77
04	ECO B073	WLG	1-19-77
05	ECO B095	WLG	1-19-77
06	ECO B054 A	WLG	1-19-77
07	ECO 5761	WLG	2-10-77



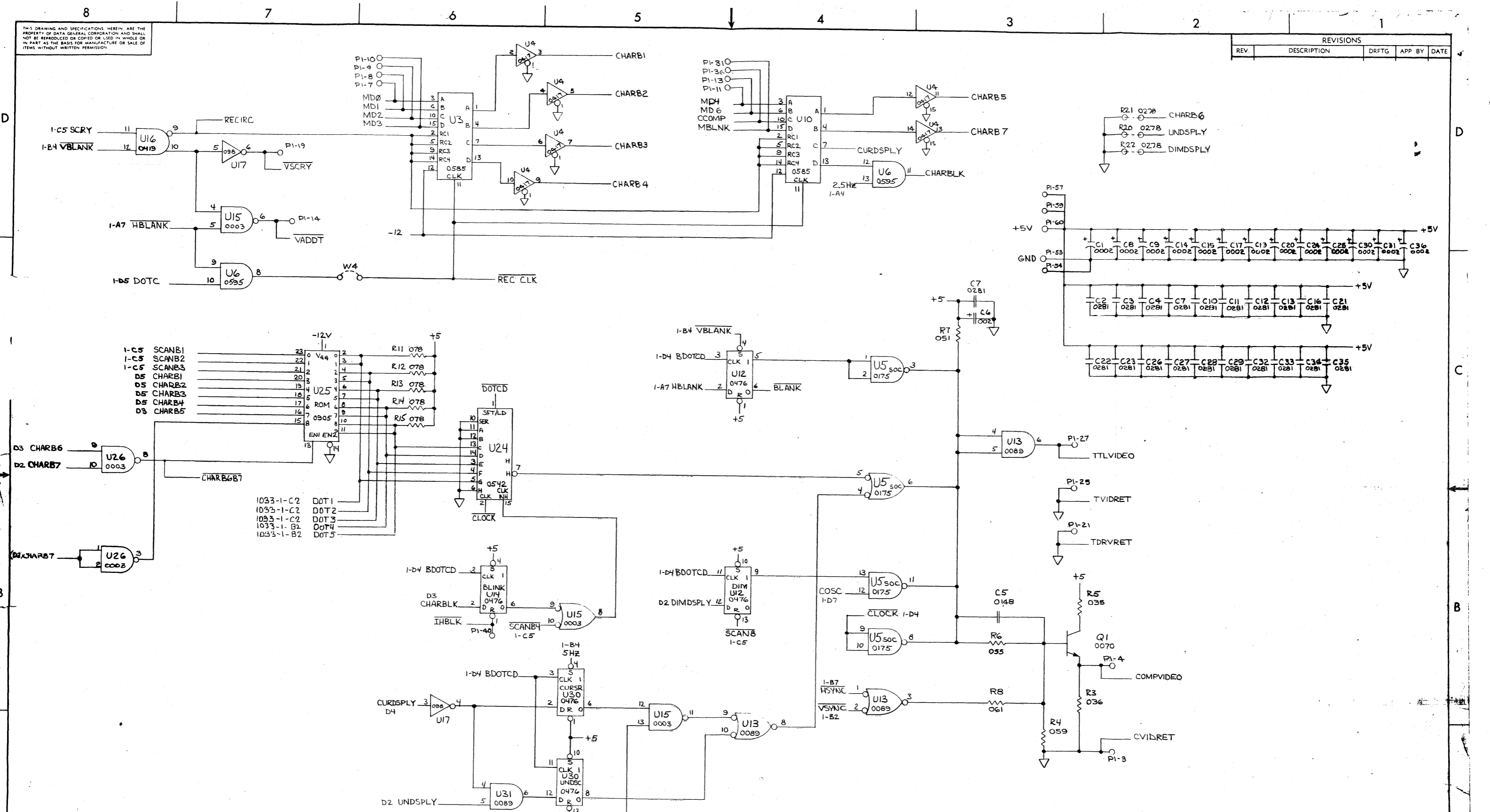
NOTES: 1. INSERT W2 FOR 50Hz REFRESH (EXPORT MODELS)  
2. REMOVE R18 FOR LOWER VOLUME AUDIBLE TONE

QTY	DESCRIPTION	PART NO
	DRAWN	
	CHECKED	
	ENGINEER	
	APPROVED	
	FIRST USED ON	
	MATERIAL	
	FINISH	
	SCALE	

UNLESS OTHERWISE SPECIFIED USE D.G.C. SPECIFICATION 108-000028 FOR TOLERANCES AND WORKMANSHIP REQUIREMENTS		<b>DATA GENERAL CORPORATION</b> SOUTHBORO, MASSACHUSETTS 01772 TITLE <b>DISPLAY VIDEO TIMING GENERATOR</b>	
SIZE	CODE	DRAWING NUMBER	REV
D	001	000942	07

THIS DRAWING AND SPECIFICATIONS HEREIN ARE THE PROPERTY OF DATA GENERAL CORPORATION AND SHALL NOT BE REPRODUCED OR COPIED OR USED IN WHOLE OR IN PART AS THE BASIS FOR MANUFACTURE OR SALE OF ITEMS WITHOUT WRITTEN PERMISSION.

REVISIONS			
REV	DESCRIPTION	DRFTG	APP BY DATE



QTY	DESCRIPTION	PART NO

UNLESS OTHERWISE SPECIFIED USE D.G.C. SPECIFICATION 108-000028 FOR TOLERANCES AND WORKMANSHIP REQUIREMENTS	DRAWN	<b>DATA GENERAL CORPORATION</b> SOUTH BORO, MASSACHUSETTS 01772 TITLE <b>DISPLAY VIDEO CHARACTER GEN.</b>			
	CHECKED				
	ENGINEER				
	APPROVED				
MATERIAL	FIRST USED ON	SIZE	CODE	DRAWING NUMBER	REV
FINISH	SCALE	D	001	000942	07