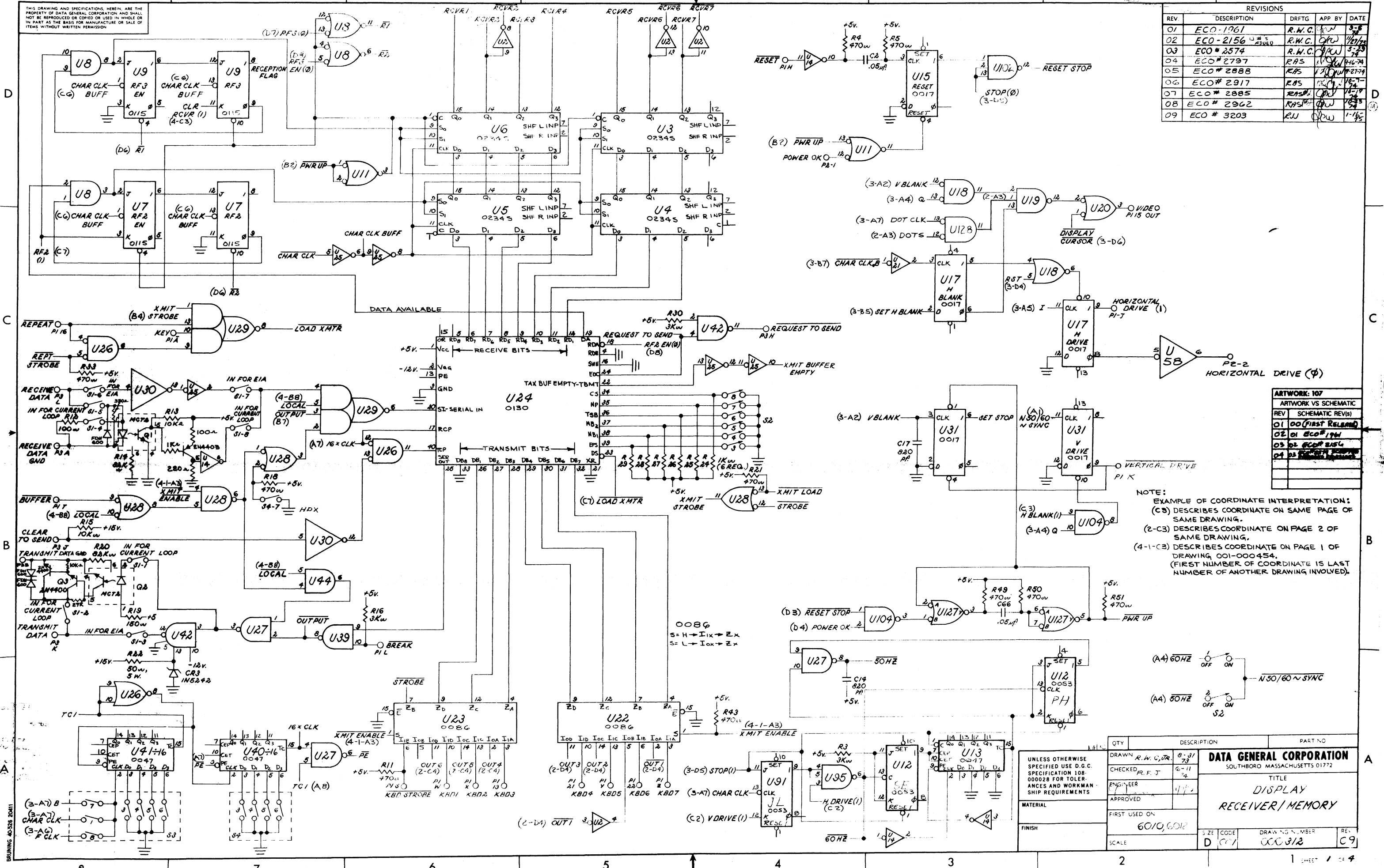


THIS DRAWING AND SPECIFICATIONS, HEREIN, ARE THE PROPERTY OF DATA GENERAL CORPORATION AND SHALL NOT BE REPRODUCED OR COPIED OR USED IN WHOLE OR IN PART AS THE BASIS FOR MANUFACTURE OR SALE OF ITEMS WITHOUT WRITTEN PERMISSION.

REVISIONS				
REV	DESCRIPTION	DRFTG	APP BY	DATE
01	ECO-1961	R.W.C.		3-5
02	ECO-2156	R.W.C.		11-21-74
03	ECO # 2574	R.W.C.		5-28
04	ECO # 2797	R.A.S.		11-20-74
05	ECO # 2888	R.A.S.		11-20-74
06	ECO # 2917	R.A.S.		11-20-74
07	ECO # 2885	R.A.S.		11-20-74
08	ECO # 2962	R.A.S.		11-20-74
09	ECO # 3203	R.U.		1-18-75



ARTWORK VS SCHEMATIC	
REV	SCHEMATIC REV(S)
01	00 (FIRST RELEASE)
02	01 ECO#194
03	02 ECO#254
04	03 ECO#254

NOTE:  
 EXAMPLE OF COORDINATE INTERPRETATION:  
 (C3) DESCRIBES COORDINATE ON SAME PAGE OF SAME DRAWING.  
 (2-C3) DESCRIBES COORDINATE ON PAGE 2 OF SAME DRAWING.  
 (4-1-C3) DESCRIBES COORDINATE ON PAGE 1 OF DRAWING 001-000454. (FIRST NUMBER OF COORDINATE IS LAST NUMBER OF ANOTHER DRAWING INVOLVED).

QTY	DESCRIPTION	PART NO																												
	UNLESS OTHERWISE SPECIFIED USE D.C.C. SPECIFICATION 108-00028 FOR TOLERANCES AND WORKMANSHIP REQUIREMENTS																													
	MATERIAL																													
	FINISH																													
<table border="1"> <thead> <tr> <th>DRAWN</th> <th>DATE</th> <th>DESIGN</th> <th>DATE</th> </tr> </thead> <tbody> <tr> <td>R.W.C.</td> <td>8-31-73</td> <td></td> <td></td> </tr> <tr> <td>R.F.J.</td> <td>6-11-74</td> <td></td> <td></td> </tr> </tbody> </table>			DRAWN	DATE	DESIGN	DATE	R.W.C.	8-31-73			R.F.J.	6-11-74																		
DRAWN	DATE	DESIGN	DATE																											
R.W.C.	8-31-73																													
R.F.J.	6-11-74																													
<table border="1"> <thead> <tr> <th colspan="2">DATA GENERAL CORPORATION</th> <th colspan="2">SOUTH BORO MASSACHUSETTS 01772</th> </tr> <tr> <th colspan="4">TITLE</th> </tr> <tr> <td colspan="4" style="text-align: center;">DISPLAY RECEIVER/MEMORY</td> </tr> <tr> <th colspan="2">FIRST USED ON</th> <th colspan="2">DRAWING NUMBER</th> </tr> <tr> <td colspan="2">6010, 6012</td> <td colspan="2">000312</td> </tr> <tr> <th colspan="2">SCALE</th> <th colspan="2">REV</th> </tr> <tr> <td colspan="2">D</td> <td colspan="2">C9</td> </tr> </thead></table>			DATA GENERAL CORPORATION		SOUTH BORO MASSACHUSETTS 01772		TITLE				DISPLAY RECEIVER/MEMORY				FIRST USED ON		DRAWING NUMBER		6010, 6012		000312		SCALE		REV		D		C9	
DATA GENERAL CORPORATION		SOUTH BORO MASSACHUSETTS 01772																												
TITLE																														
DISPLAY RECEIVER/MEMORY																														
FIRST USED ON		DRAWING NUMBER																												
6010, 6012		000312																												
SCALE		REV																												
D		C9																												

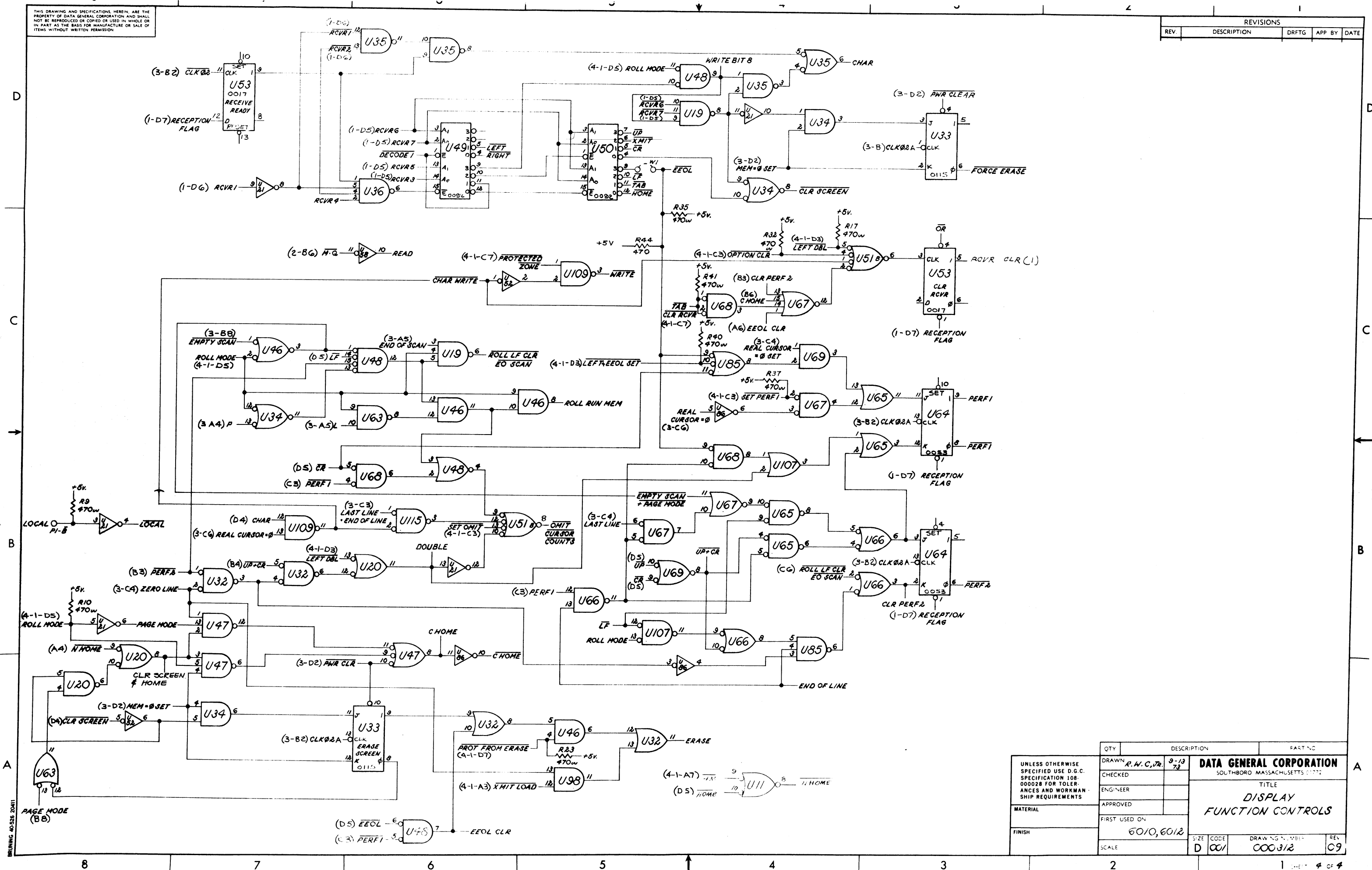
BRUNING 40-528 20411





THIS DRAWING AND SPECIFICATIONS HEREIN ARE THE PROPERTY OF DATA GENERAL CORPORATION AND SHALL NOT BE REPRODUCED OR COPIED OR USED IN WHOLE OR IN PART AS THE BASIS FOR MANUFACTURE OR SALE OF ITEMS WITHOUT WRITTEN PERMISSION

REVISIONS				
REV.	DESCRIPTION	DRFTG	APP BY	DATE



QTY	DESCRIPTION	PART NO

UNLESS OTHERWISE SPECIFIED USE D.G.C. SPECIFICATION 108-00028 FOR TOLERANCES AND WORKMANSHIP REQUIREMENTS	DRAWN: R. A. C. Jr. 9-13-73 CHECKED: ENGINEER: APPROVED: FIRST USED ON: 6010, 6012 SCALE:	<b>DATA GENERAL CORPORATION</b> SOUTHBORO MASSACHUSETTS 01772 TITLE: <b>DISPLAY FUNCTION CONTROLS</b>
MATERIAL:	SIZE: D	CODE: 001
FINISH:	DRAWING NUMBER: 000312	REV: 09

BRUNING 40-526 20A11