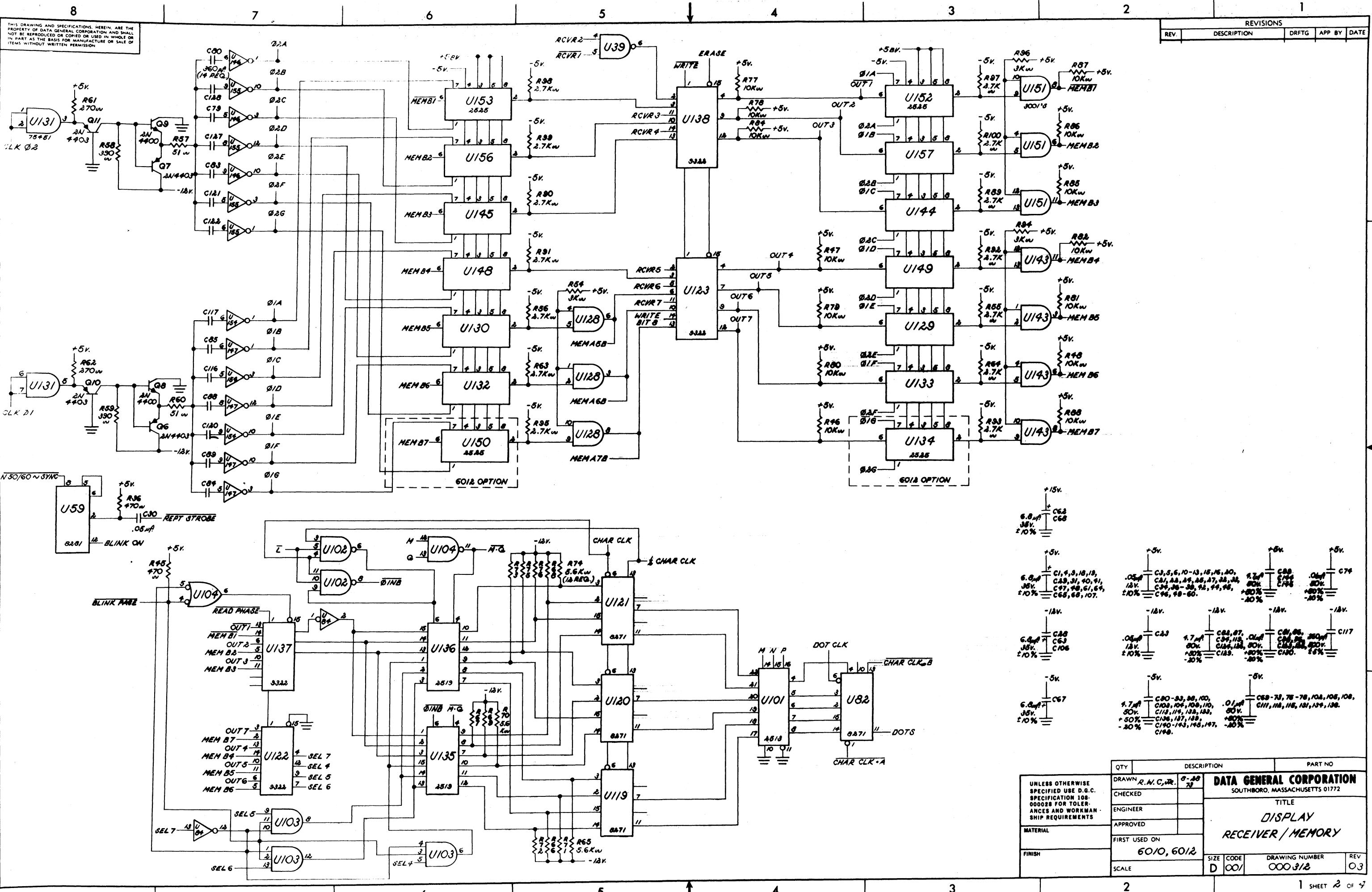


REVISIONS				
REV.	DESCRIPTION	DRFTG	APP BY	DATE
01	ECO-1961	R.W.C.	OKW	3-78
02	ECO-2156	R.W.C.	OKW	11/78
03	ECO # 2574	R.W.C.	OKW	3-79

QTY	DESCRIPTION	PART NO
1	UNLESS OTHERWISE SPECIFIED USE D.G.C. SPECIFICATION 108-000028 FOR TOLERANCES AND WORKMANSHIP REQUIREMENTS	
1	60/10, 60/12	
1	SCALE	

DRAWN R.W.C. DR. 8-31-78		DATA GENERAL CORPORATION	
CHECKED R.F.J. 6-11-78		SOUTHBORO, MASSACHUSETTS 01772	
ENGINEER		TITLE	
APPROVED		DISPLAY RECEIVER/MEMORY	
FIRST USED ON		DRAWING NUMBER	
60/10, 60/12		000312	
MATERIAL		REV	
FINISH		03	

BRUNING 40-526 20411

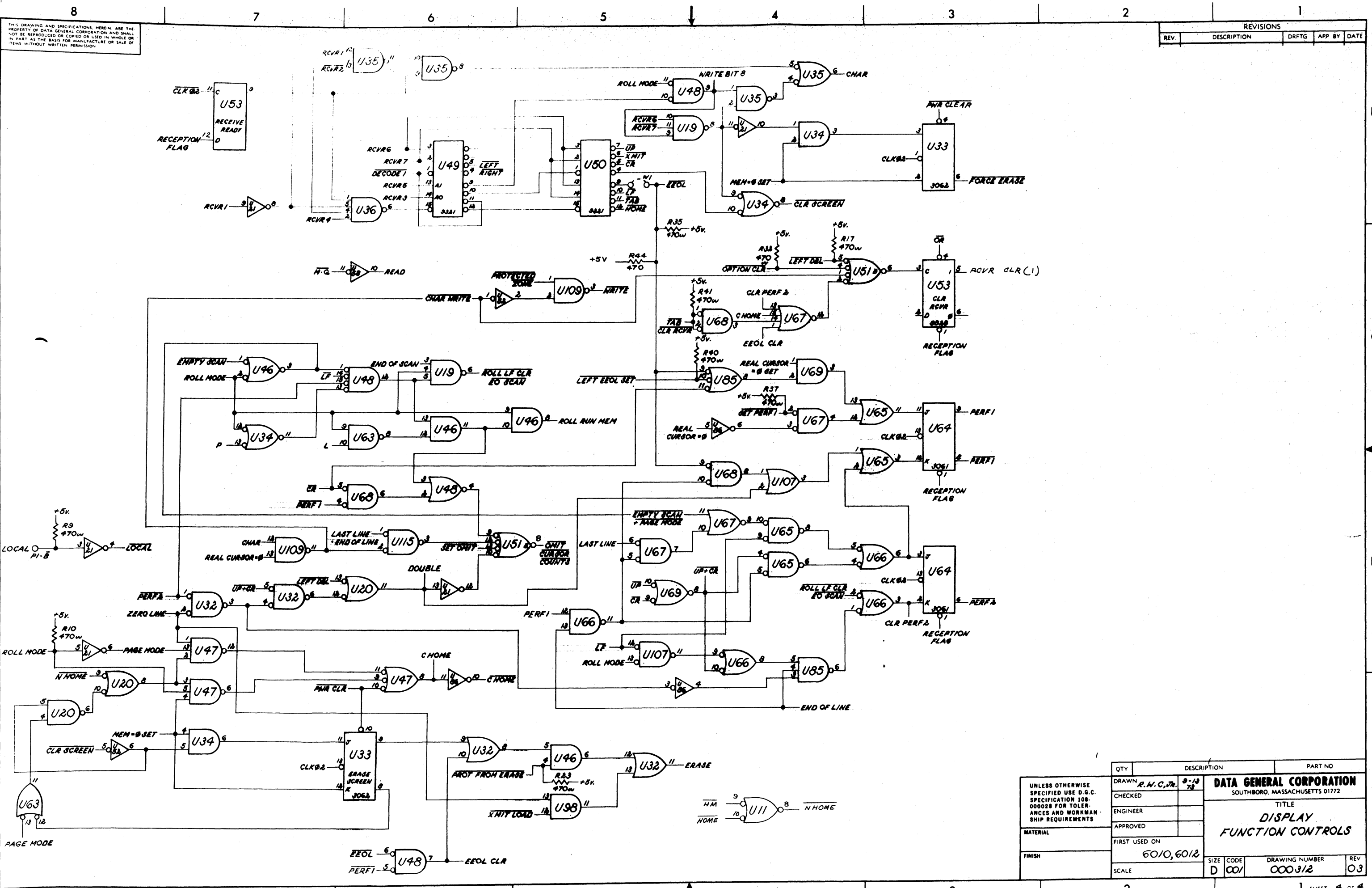


REVISIONS				
REV.	DESCRIPTION	DRFTG	APP BY	DATE

UNLESS OTHERWISE SPECIFIED USE D.G.C. SPECIFICATION 108-00028 FOR TOLERANCES AND WORKMANSHIP REQUIREMENTS		DATA GENERAL CORPORATION SOUTHBORO, MASSACHUSETTS 01772	
DRAWN	R.M.C.	TITLE DISPLAY RECEIVER/MEMORY	
CHECKED		DRAWING NUMBER 000312	
ENGINEER		REV 03	
APPROVED			
MATERIAL			
FIRST USED ON	6010, 6012		
FINISH			
SCALE			

QTY	DESCRIPTION	PART NO
1	C62	
1	C68	
1	C1, 4, 9, 10, 13, 15, 16, 20, 21, 22, 23, 24, 25, 26, 27, 28, 29, 30, 31, 32, 33, 34, 35, 36, 37, 38, 39, 40, 41, 42, 43, 44, 45, 46, 47, 48, 49, 50, 51, 52, 53, 54, 55, 56, 57, 58, 59, 60, 61, 62, 63, 64, 65, 66, 67, 68, 69, 70, 71, 72, 73, 74, 75, 76, 77, 78, 79, 80, 81, 82, 83, 84, 85, 86, 87, 88, 89, 90, 91, 92, 93, 94, 95, 96, 97, 98, 99, 100, 101, 102, 103, 104, 105, 106, 107, 108, 109, 110, 111, 112, 113, 114, 115, 116, 117, 118, 119, 120, 121, 122, 123, 124, 125, 126, 127, 128, 129, 130, 131, 132, 133, 134, 135, 136, 137, 138, 139, 140, 141, 142, 143, 144, 145, 146, 147, 148, 149, 150, 151, 152, 153, 154, 155, 156, 157, 158, 159, 160, 161, 162, 163, 164, 165, 166, 167, 168, 169, 170, 171, 172, 173, 174, 175, 176, 177, 178, 179, 180, 181, 182, 183, 184, 185, 186, 187, 188, 189, 190, 191, 192, 193, 194, 195, 196, 197, 198, 199, 200	

BRUNING 40526 20411



THIS DRAWING AND SPECIFICATIONS HEREIN ARE THE PROPERTY OF DATA GENERAL CORPORATION AND SHALL NOT BE REPRODUCED OR COPIED OR USED IN WHOLE OR IN PART AS THE BASIS FOR MANUFACTURE OR SALE OF ITEMS WITHOUT WRITTEN PERMISSION.

REVISIONS				
REV	DESCRIPTION	DRFTG	APP BY	DATE

QTY	DESCRIPTION	PART NO

UNLESS OTHERWISE SPECIFIED USE D.S.C. SPECIFICATION 100-00000 FOR TOLERANCES AND WORKMANSHIP REQUIREMENTS	DRAWN: R.H.C., Jr. CHECKED: [] ENGINEER: [] APPROVED: [] FIRST USED ON: 6010, 6012 SCALE: []	DATA GENERAL CORPORATION SOUTHBORO, MASSACHUSETTS 01772 TITLE: DISPLAY FUNCTION CONTROLS DRAWING NUMBER: 000312 REV: 03
---	---	--