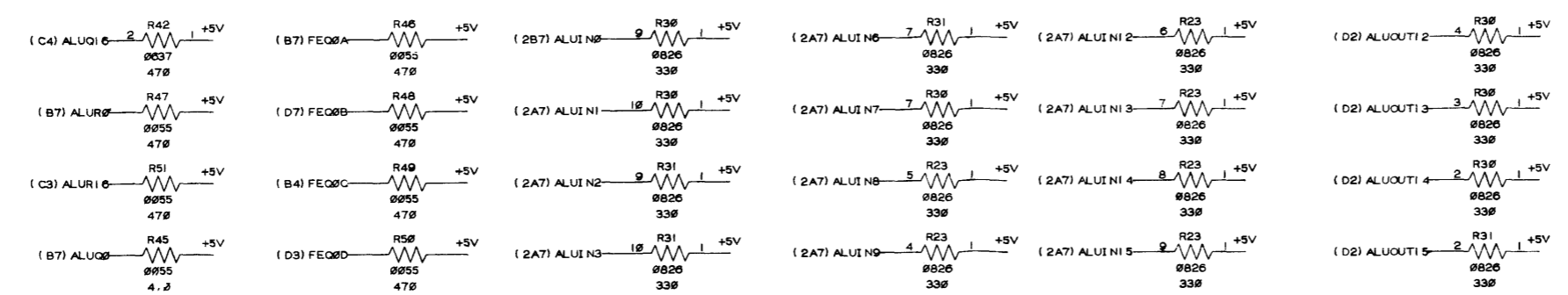
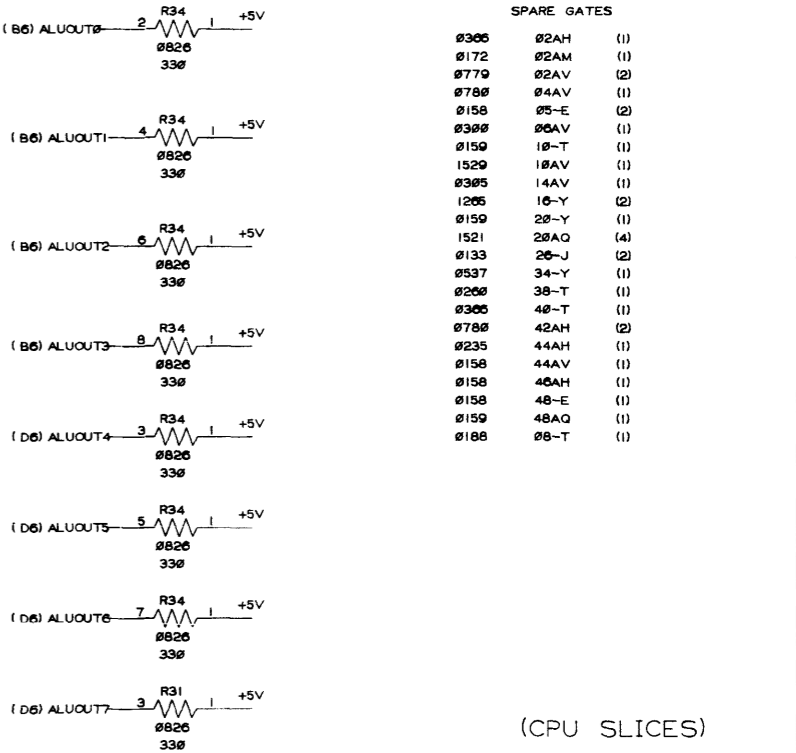
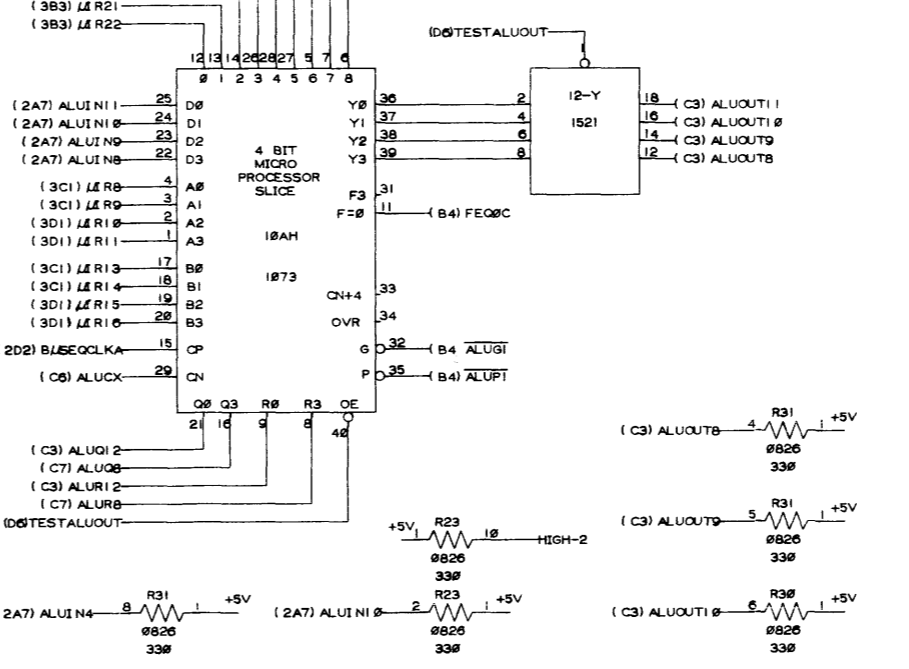
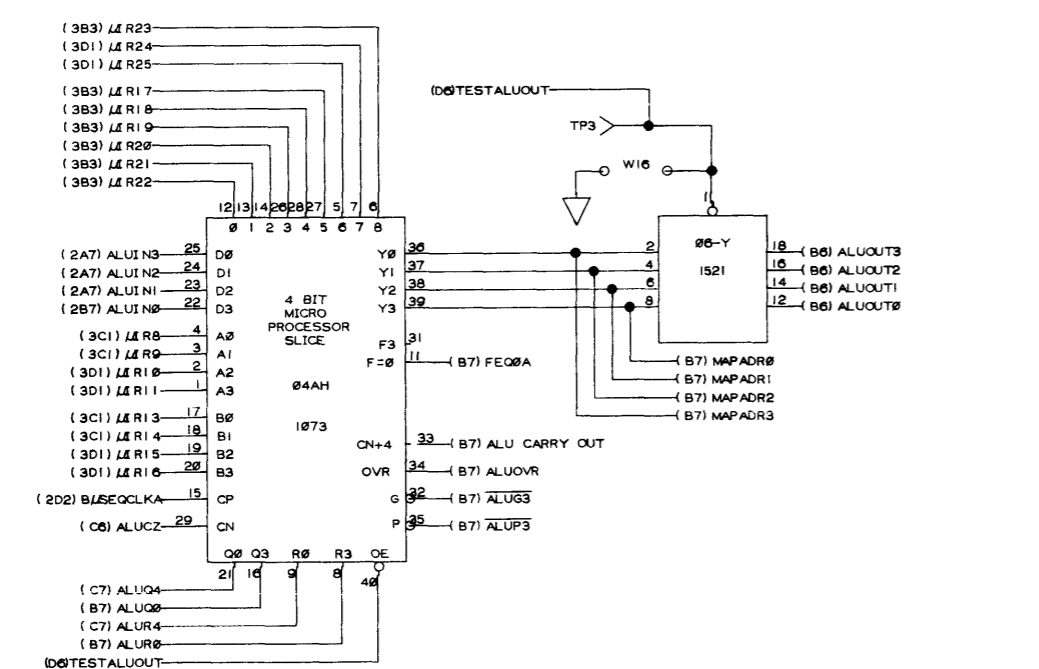
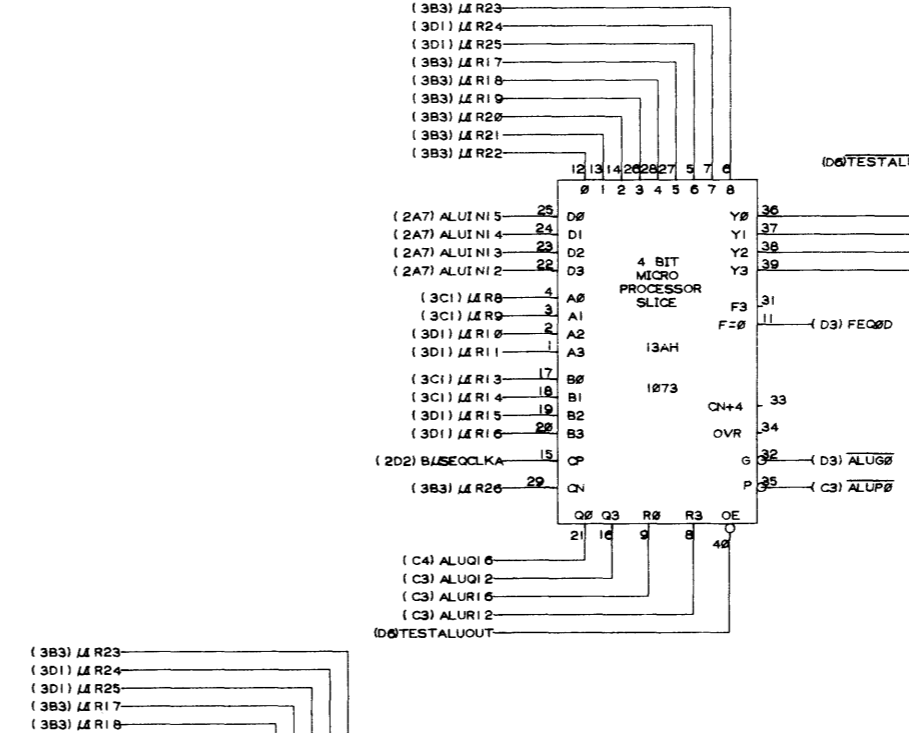
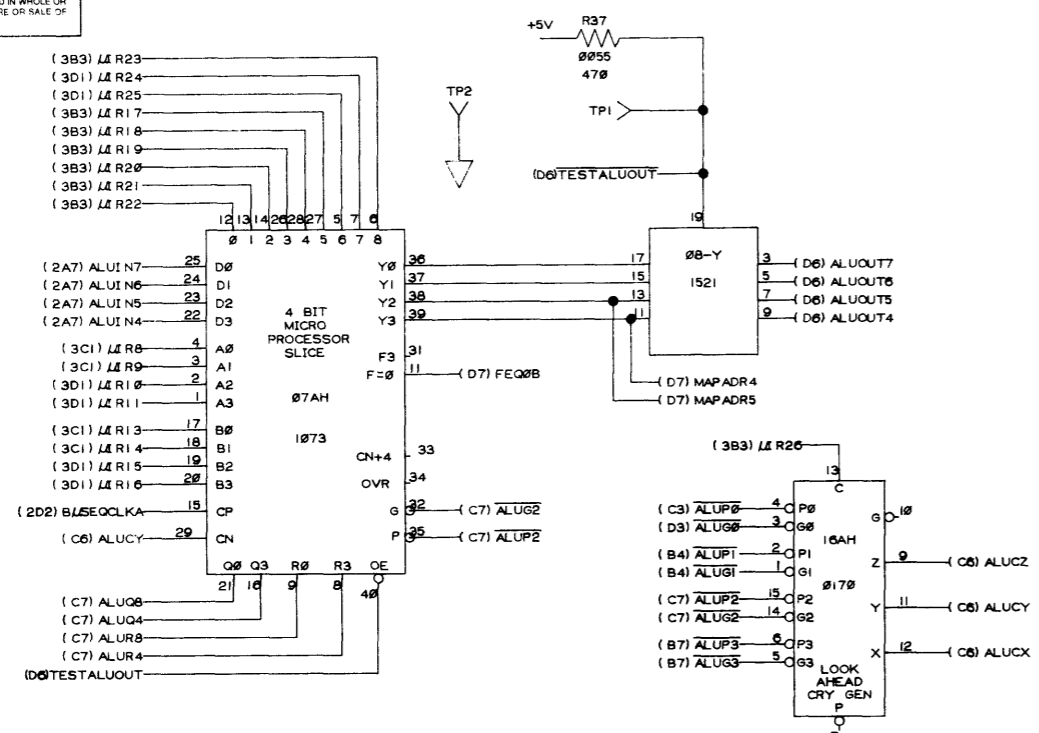


THIS DRAWING AND SPECIFICATIONS HEREIN ARE THE PROPERTY OF DATA GENERAL CORPORATION AND SHALL NOT BE REPRODUCED OR COPIED OR USED IN WHOLE OR IN PART AS THE BASIS FOR MANUFACTURE OR SALE OF ITEMS WITHOUT WRITTEN PERMISSION.

REVISIONS				
REV	DESCRIPTION	DRFTG	APP BY	DATE
00	PER ECO E590	WLG	DSG	2-17-77
01	PER ECO 9622	WLG	WLG	10-17-77
02	PER ECO 9622	WLG	WLG	10-17-77
03	PER ECO 9622	WLG	WLG	10-17-77



ARTWORK: 107 949	DRAWN: DIGITIZED	10-17-77	DATA GENERAL CORPORATION SOUTHBORO, MASSACHUSETTS 01772
ARTWORK VS SCHEMATIC CHECKED	ENGINEER: DEVE GARONSKI	10/17/77	
REV 01 SCHEMATIC REV(S)	APPROVED: [Signature]	10/17/77	TITLE: DGC NOVA
	FIRST USED ON: 005012066-U		SIZE: D
			CODE: 001001624
			DRAWING NUMBER: 03

8 7 6 5 4 3 2 1

D

C

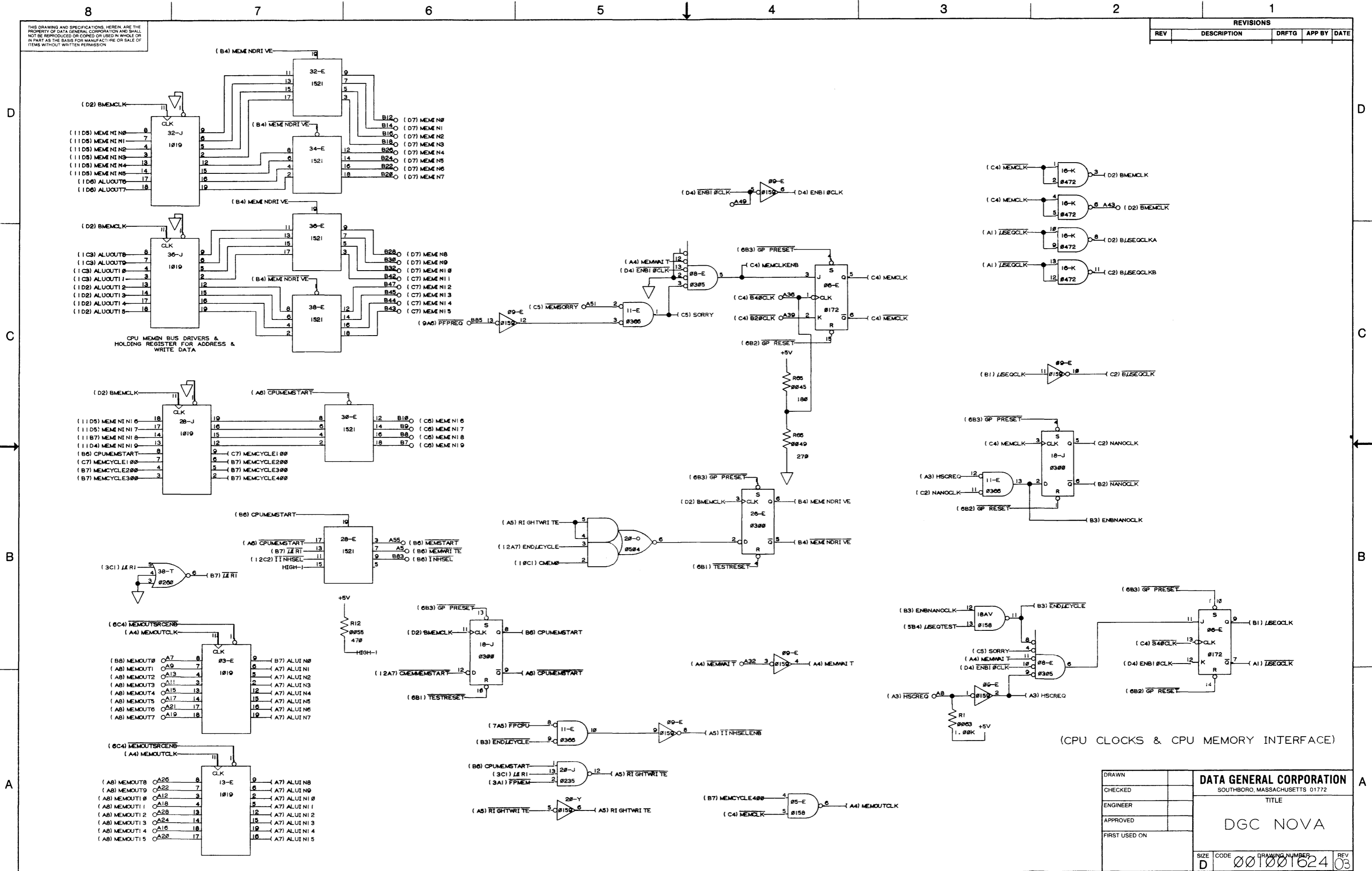
B

A

R 7 6 5 4 3 2 1 SHEET OF 15

REVISIONS				
REV	DESCRIPTION	DRFTG	APP BY	DATE

THIS DRAWING AND SPECIFICATIONS, HEREIN, ARE THE PROPERTY OF DATA GENERAL CORPORATION AND SHALL NOT BE REPRODUCED OR COPIED OR USED IN WHOLE OR IN PART AS THE BASIS FOR MANUFACTURE OR SALE OF ITEMS WITHOUT WRITTEN PERMISSION

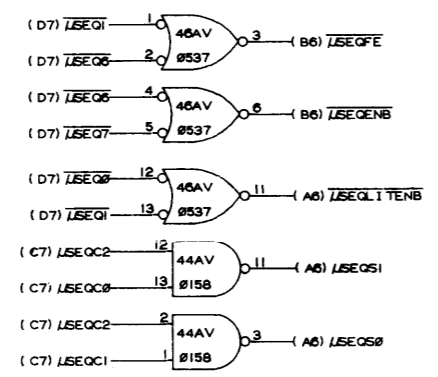
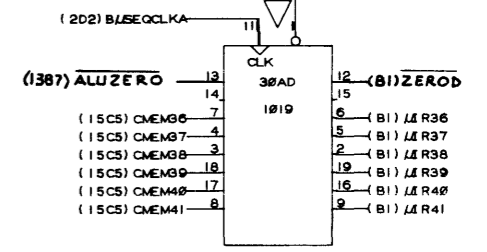
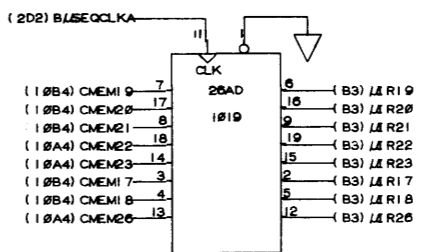
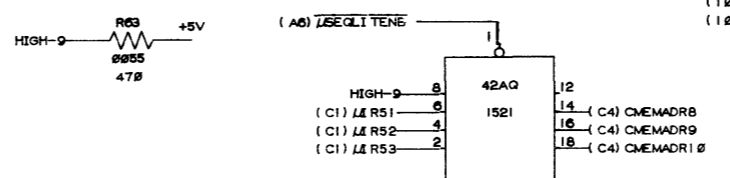
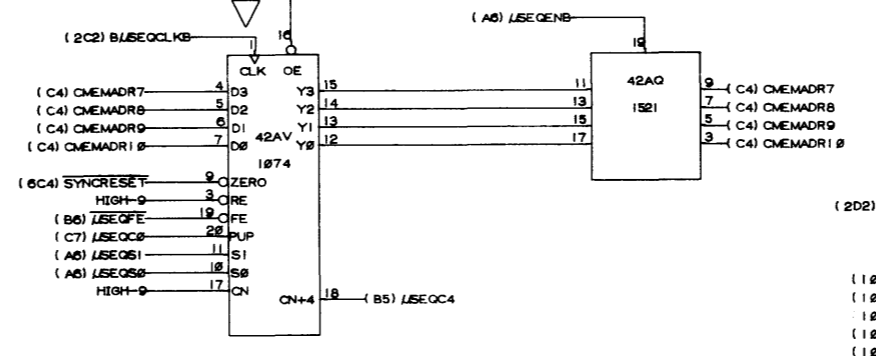
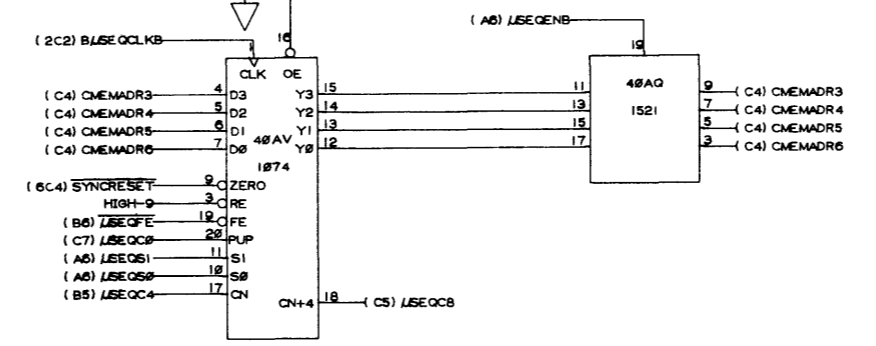
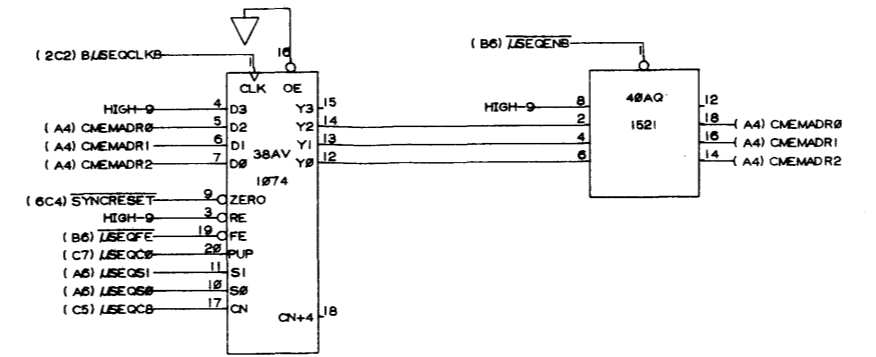
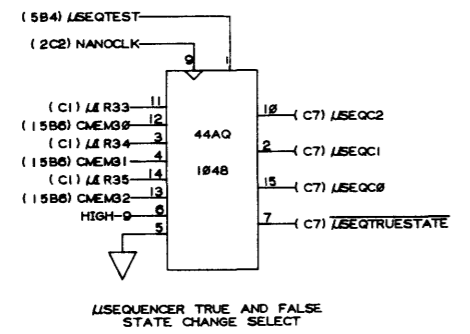
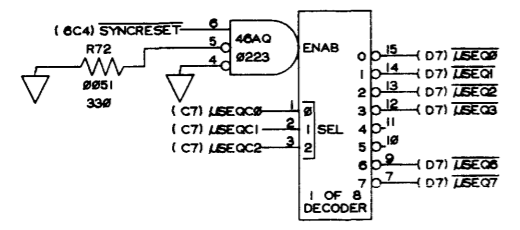


(CPU CLOCKS & CPU MEMORY INTERFACE)

DRAWN		DATA GENERAL CORPORATION SOUTHBORO, MASSACHUSETTS 01772 TITLE <h2>DGC NOVA</h2>	
CHECKED			
ENGINEER			
APPROVED			
FIRST USED ON			
SIZE	CODE	DRAWING NUMBER	REV
D		001001624	03

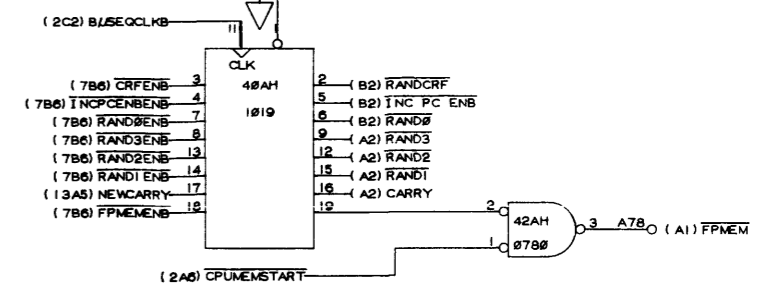
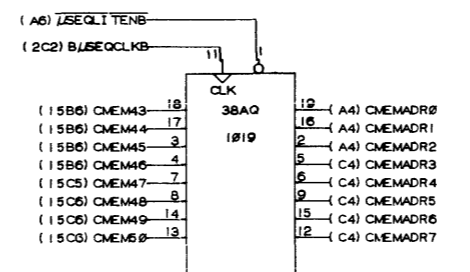
REVISIONS				
REV	DESCRIPTION	DRFTG	APP BY	DATE

THIS DRAWING AND SPECIFICATIONS HEREIN ARE THE PROPERTY OF DATA GENERAL CORPORATION AND SHALL NOT BE REPRODUCED OR COPIED OR USED IN WHOLE OR IN PART AS THE BASIS FOR MANUFACTURE OR SALE OF ITEMS WITHOUT WRITTEN PERMISSION



NOTE

LSEQ	C2	C1	C0
JUMP	0	0	0
PUSHJ	0	0	1
DECODE	0	1	0
SAGE	0	1	1
UNUSED	1	0	0
UNUSED	1	0	1
POPJ	1	1	0
CONTINUE	1	1	1



(MICRO IR AND MICRO SEQUENCER)

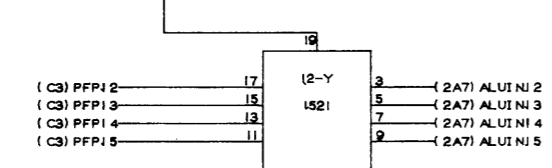
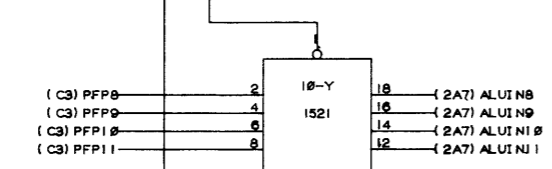
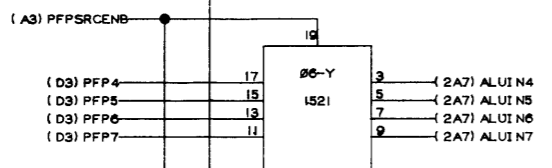
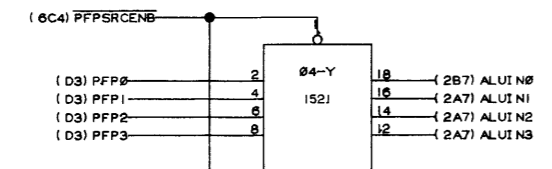
DRAWN		DATA GENERAL CORPORATION SOUTHBORO, MASSACHUSETTS 01772 TITLE <h2 style="text-align: center;">DGC NOVA</h2>
CHECKED		
ENGINEER		
APPROVED		
FIRST USED ON		
SIZE	CODE	DRAWING NUMBER
D		001001624
		REV
		03

REVISIONS				
REV	DESCRIPTION	DRFTG	APP BY	DATE

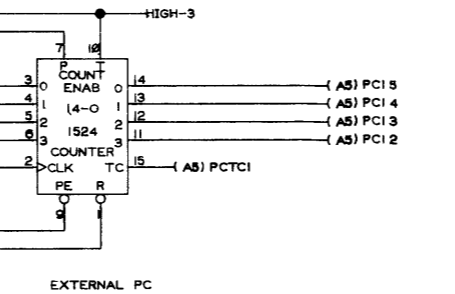
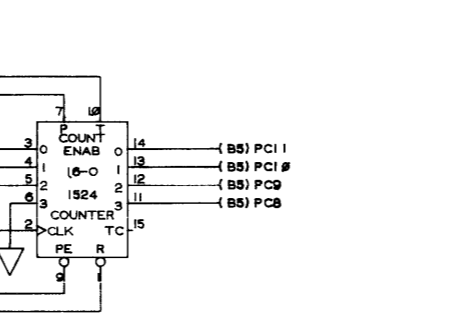
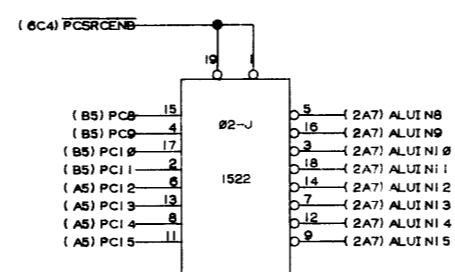
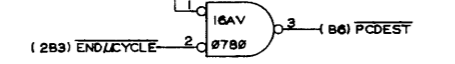
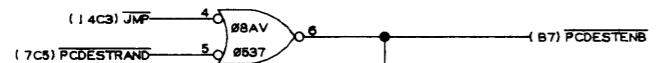
THIS DRAWING AND SPECIFICATIONS HEREIN ARE THE PROPERTY OF DATA GENERAL CORPORATION AND SHALL NOT BE REPRODUCED OR COPIED OR USED IN WHOLE OR IN PART AS THE BASIS FOR MANUFACTURE OR SALE OF ITEMS WITHOUT WRITTEN PERMISSION.

D

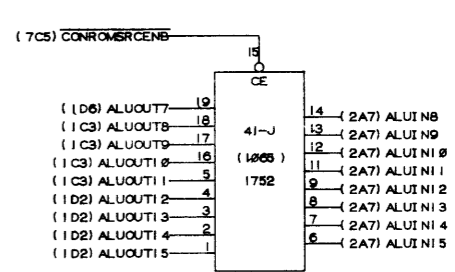
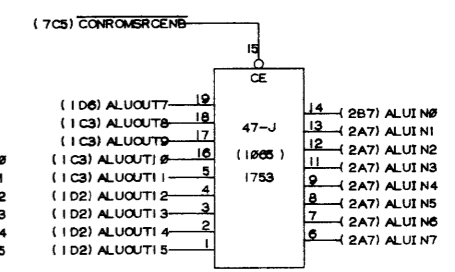
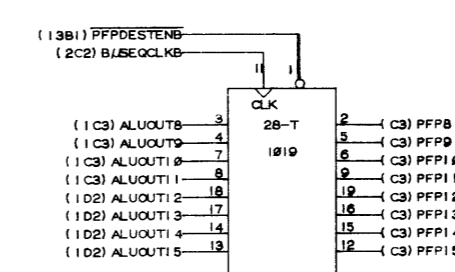
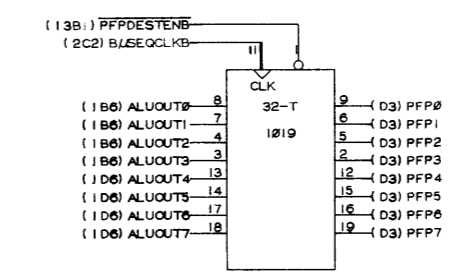
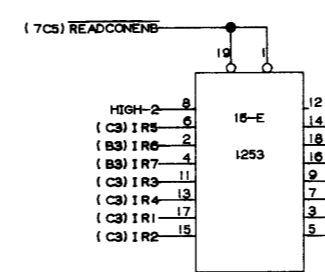
D



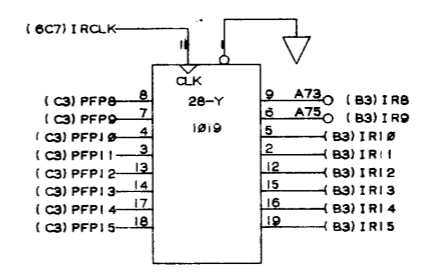
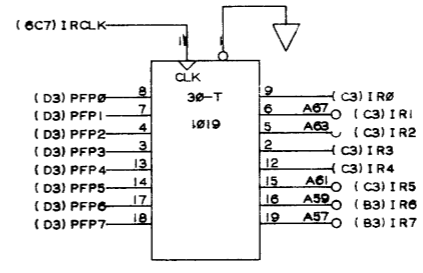
PFP ALU SOURCE



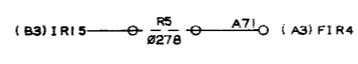
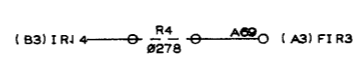
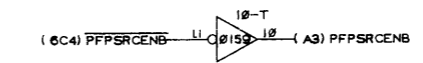
EXTERNAL PC



CONSOLE ROM (512X16)



INSTRUCTION REGISTER



(PC, CONSOLE ROM, PFP SRC, PFP DEST IR)

C

C

B

B

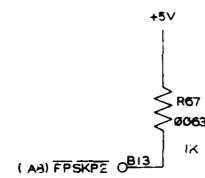
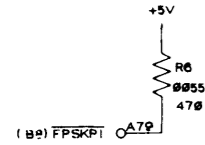
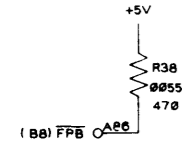
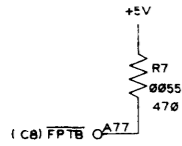
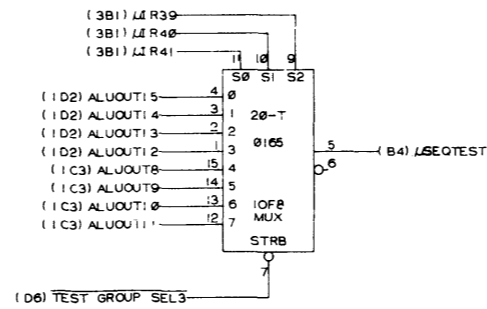
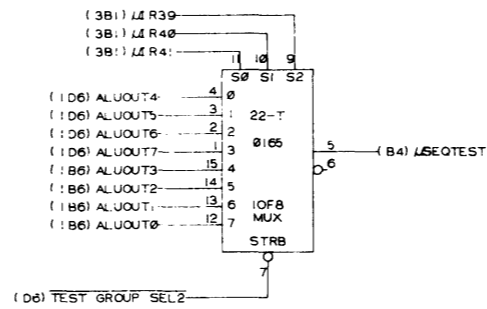
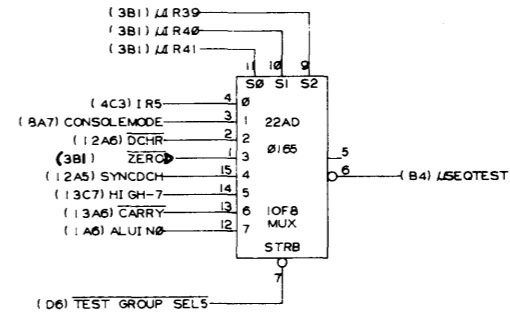
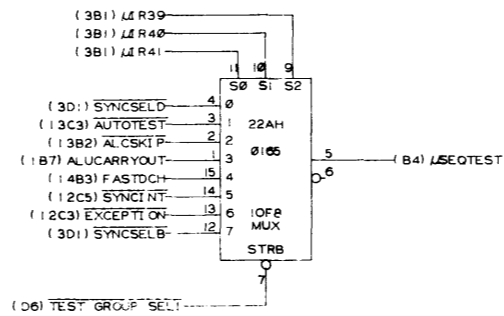
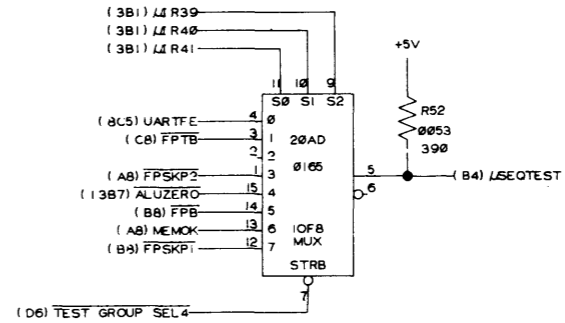
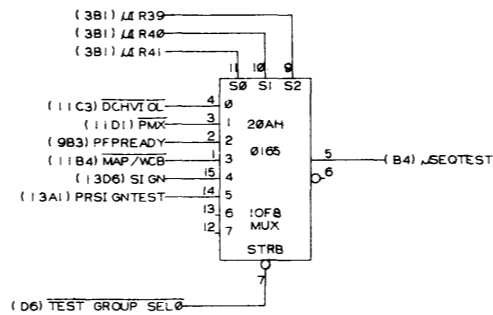
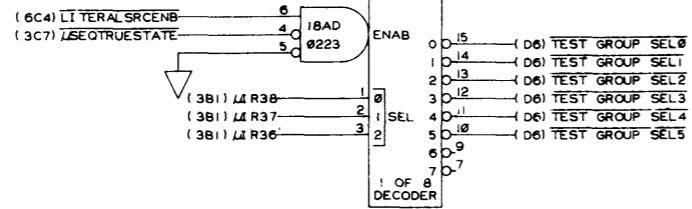
A

A

DRAWN		DATA GENERAL CORPORATION		
CHECKED		SOUTHBORO, MASSACHUSETTS 01772		
ENGINEER		TITLE		
APPROVED		DGC NOVA		
FIRST USED ON		SIZE	CODE	DRAWING NUMBER
		D		00100162403

REVISIONS				
REV	DESCRIPTION	DRFTG	APP BY	DATE

THIS DRAWING AND SPECIFICATIONS, HEREIN, ARE THE PROPERTY OF DATA GENERAL CORPORATION AND SHALL NOT BE REPRODUCED OR COPIED OR USED IN WHOLE OR IN PART AS THE BASIS FOR MANUFACTURE OR SALE OF ITEMS WITHOUT WRITTEN PERMISSION.



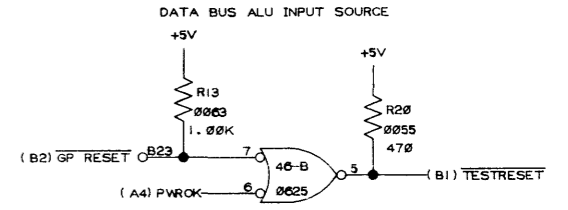
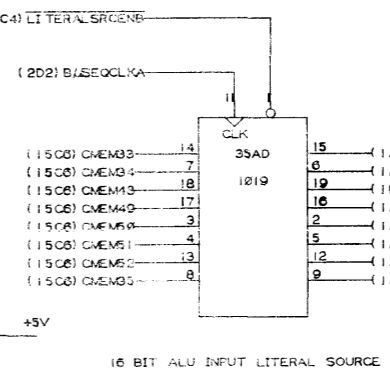
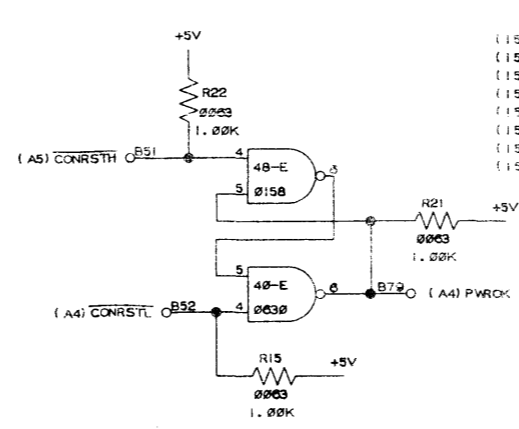
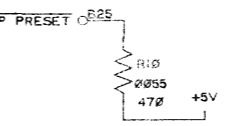
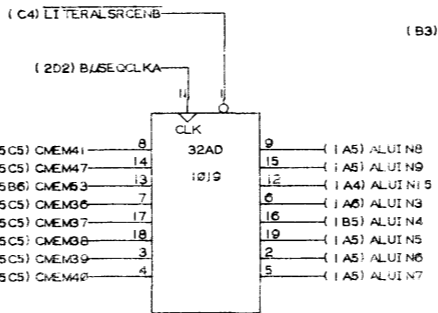
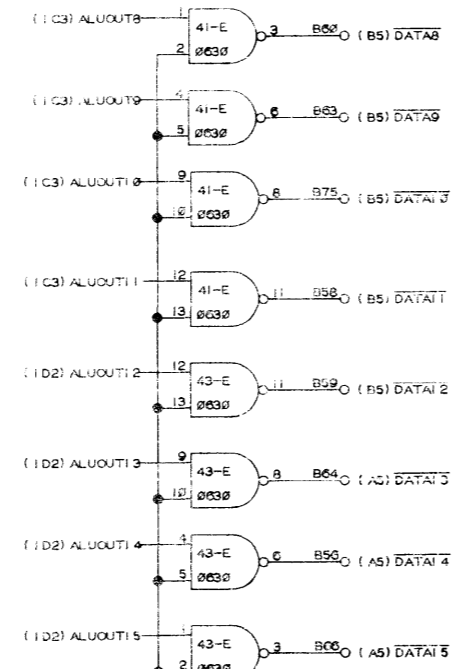
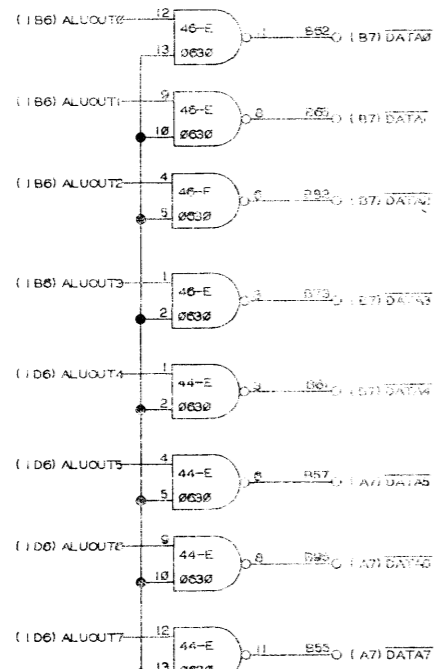
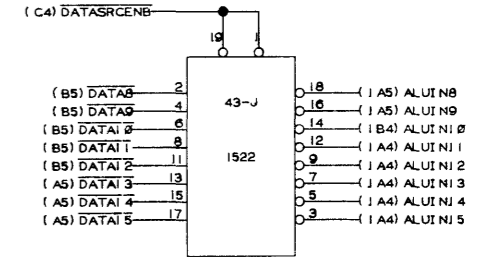
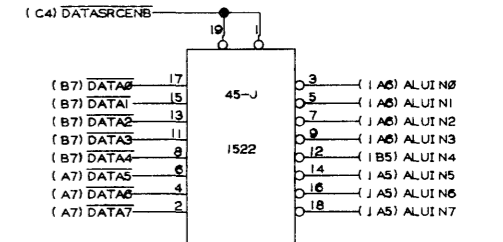
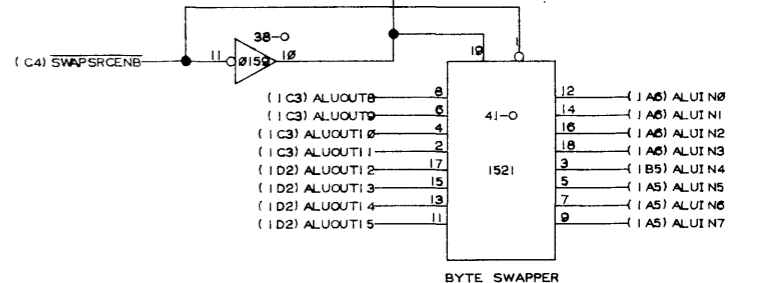
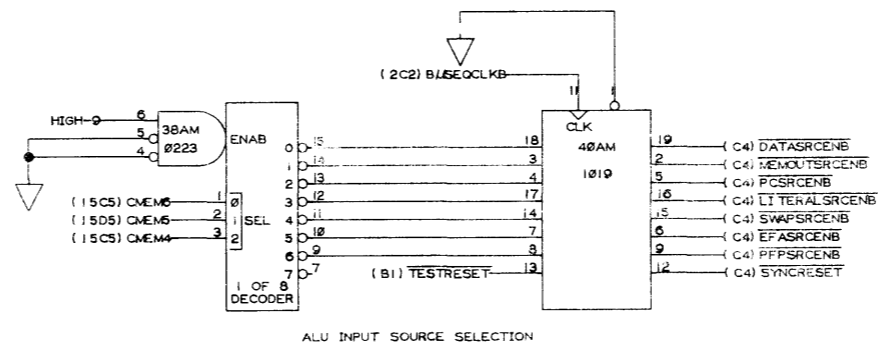
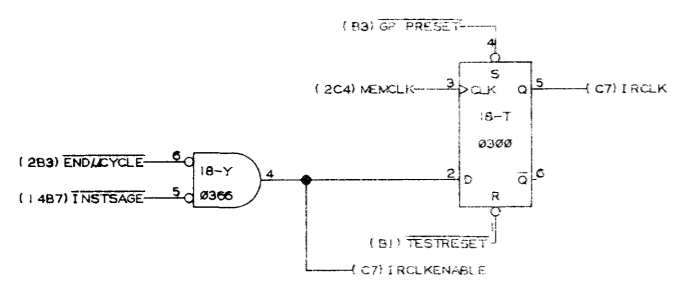
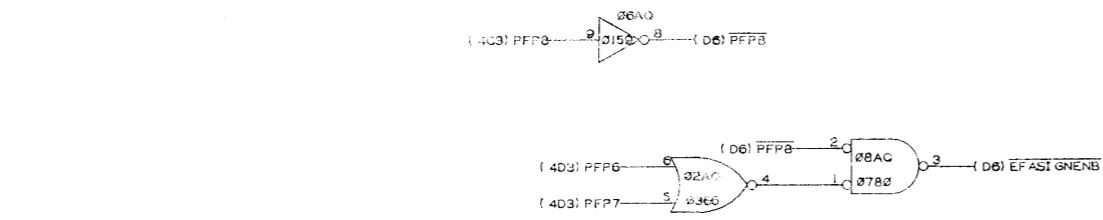
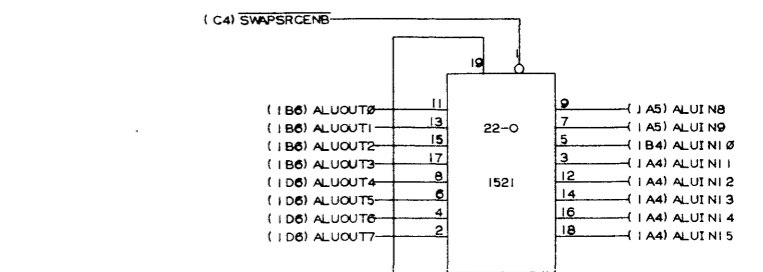
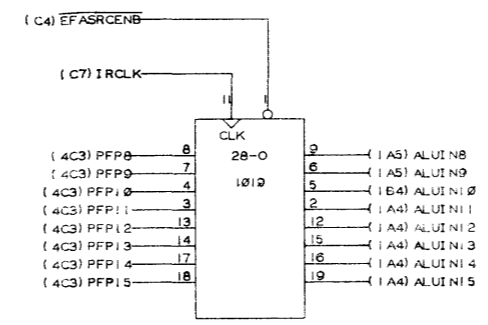
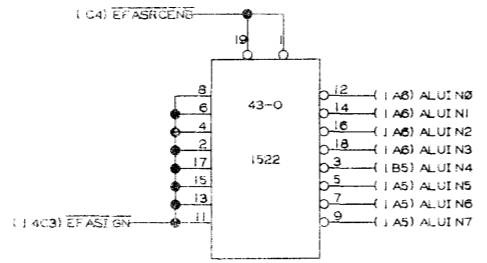
NOTE TEST SELECTED BY THE SIGNAL TEST GROUP SEL5 ARE NEGATIVE ASSERTED ALL OTHER TESTS ARE POSITIVE ASSERTED

(DGC TEST MUX AND TEST CONDITIONS)

DRAWN		DATA GENERAL CORPORATION		
CHECKED		SOUTHBORO, MASSACHUSETTS 01772		
ENGINEER		TITLE		
APPROVED		DGC NOVA		
FIRST USED ON		SIZE	CODE	DRAWING NUMBER
		D		001001624

THIS DRAWING AND SPECIFICATIONS, HEREIN, ARE THE PROPERTY OF DATA GENERAL CORPORATION AND SHALL NOT BE REPRODUCED OR COPIED OR USED IN WHOLE OR IN PART AS THE BASIS FOR MANUFACTURE OR SALE OF ITEMS WITHOUT WRITTEN PERMISSION.

REVISIONS				
REV	DESCRIPTION	DRFTG	APP BY	DATE



(SWAP AND VARIOUS μ IR ENABLE DECODES)

DRAWN		DATA GENERAL CORPORATION SOUTHBORO, MASSACHUSETTS 01772 TITLE DGC NOVA SIZE CODE DRAWING NUMBER REV D 001001624 03
CHECKED		
ENGINEER		
APPROVED		
FIRST USED ON		

THIS DRAWING AND SPECIFICATIONS, HEREIN, ARE THE PROPERTY OF DATA GENERAL CORPORATION AND SHALL NOT BE REPRODUCED OR COPIED OR USED IN WHOLE OR IN PART AS THE BASIS FOR MANUFACTURE OR SALE OF ITEMS WITHOUT WRITTEN PERMISSION.

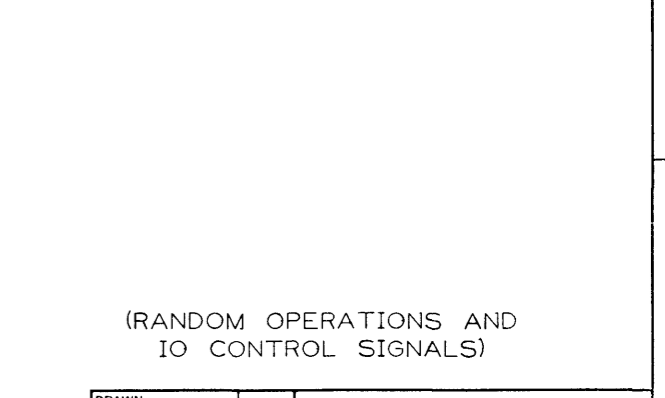
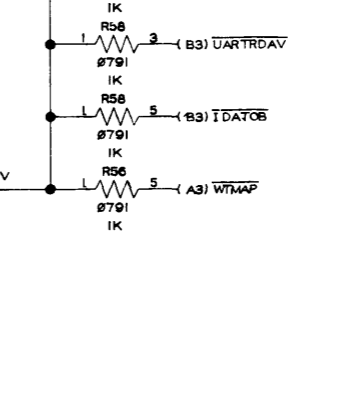
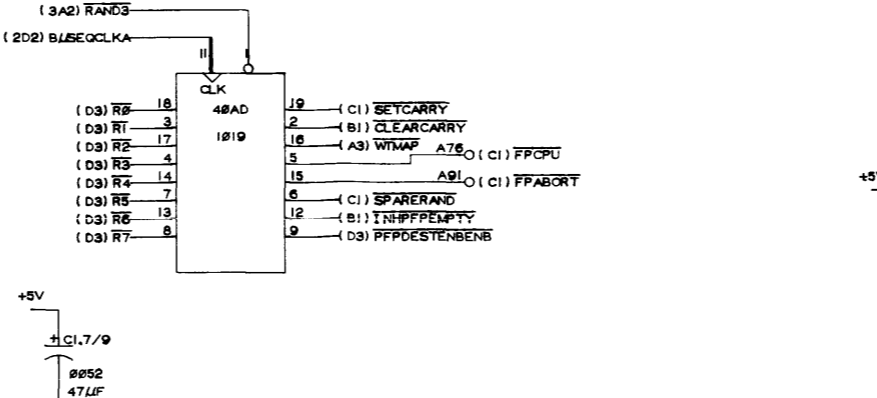
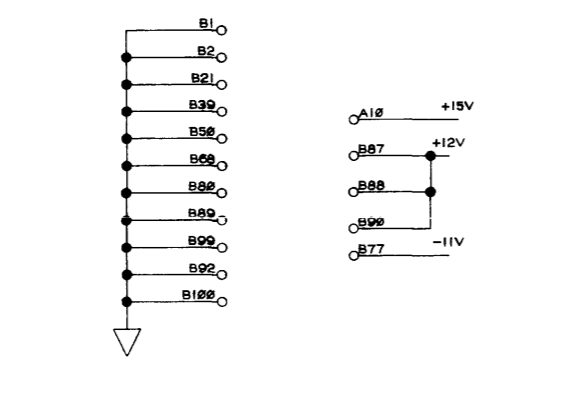
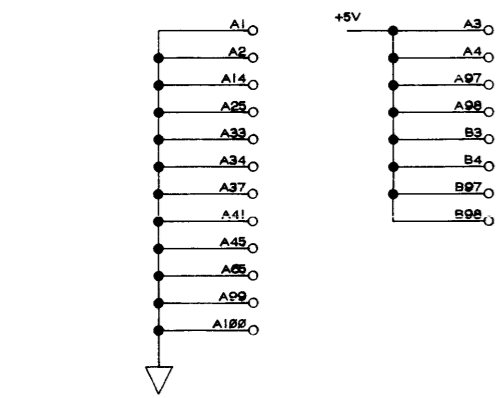
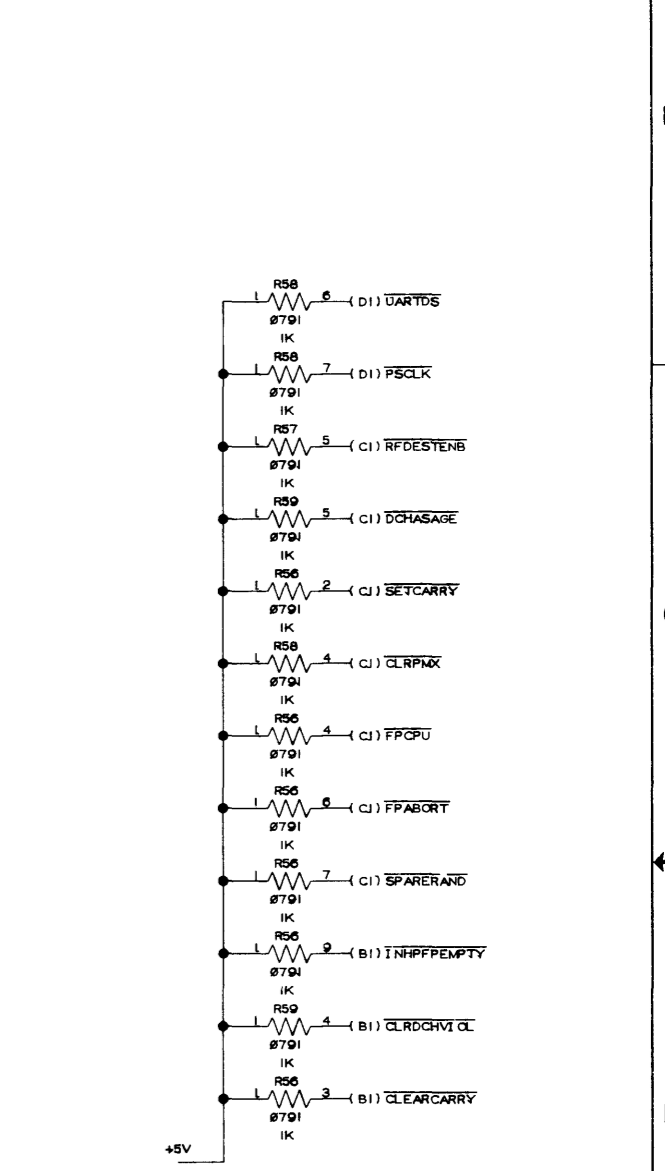
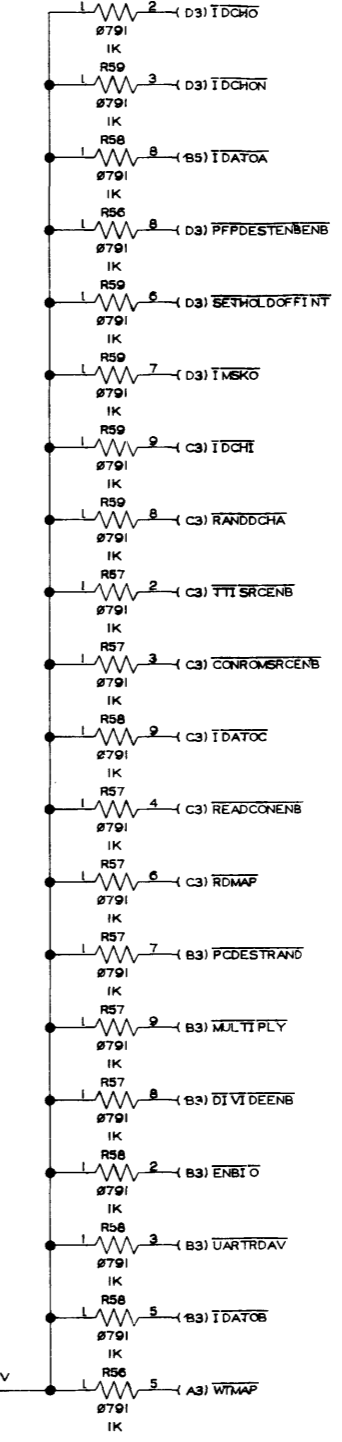
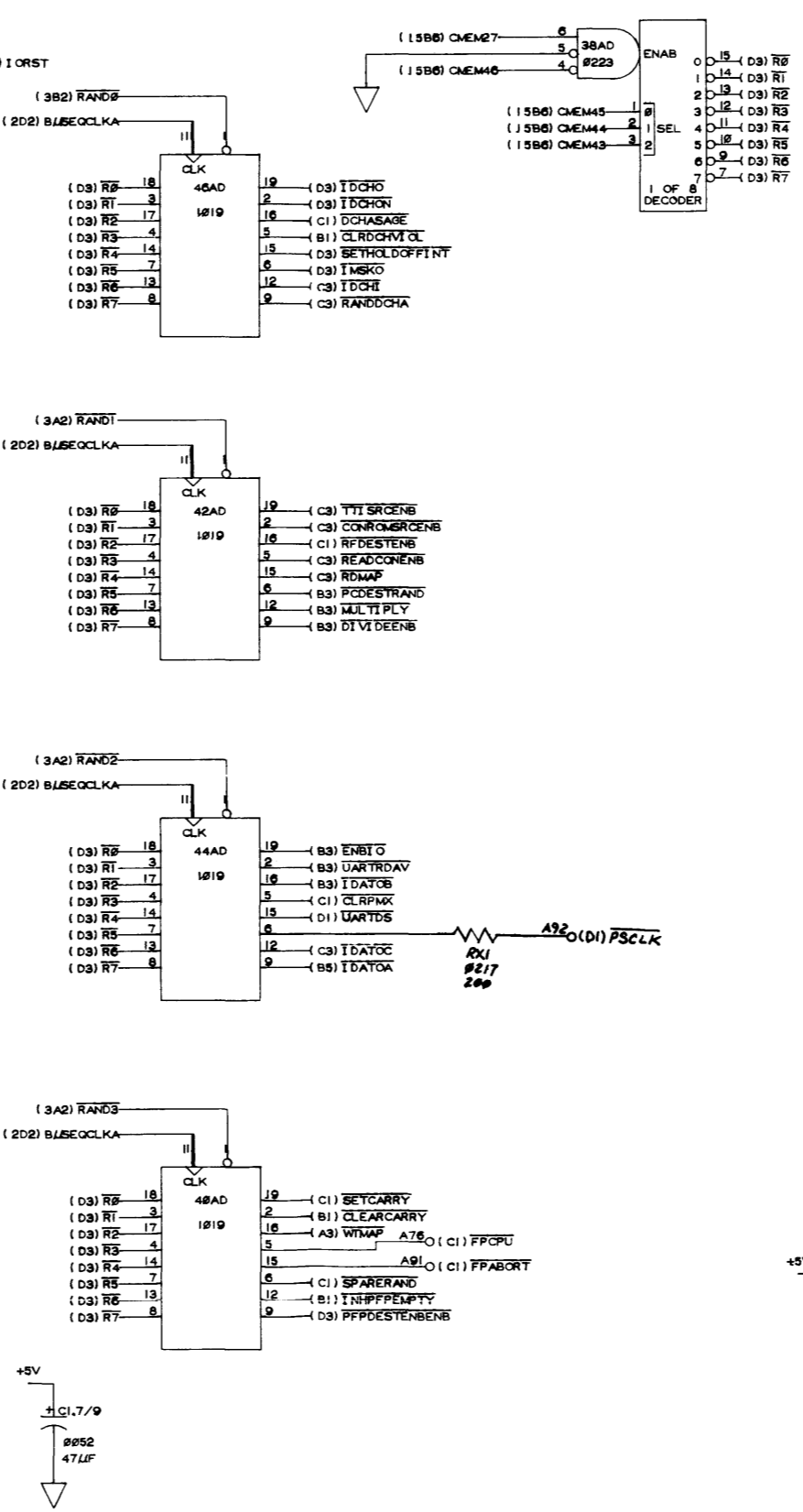
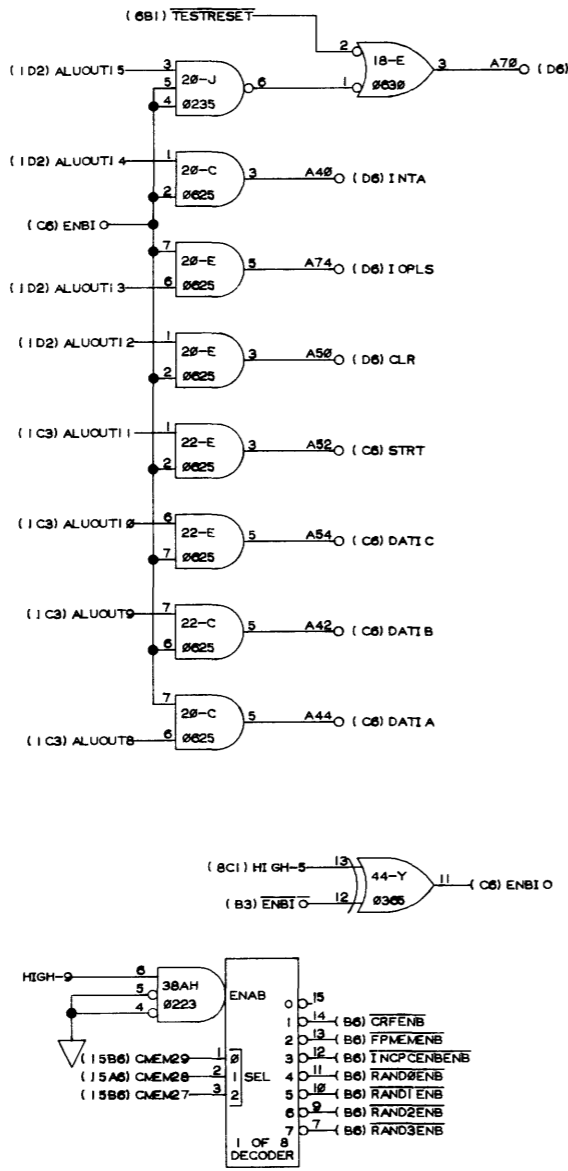
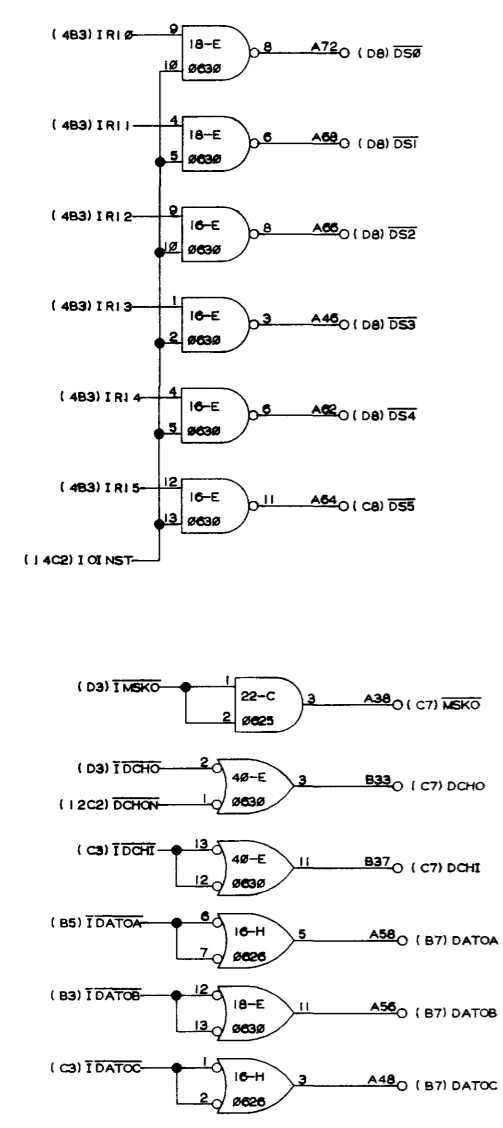
REVISIONS				
REV	DESCRIPTION	DRAFTG	APP BY	DATE

D

C

B

A



(RANDOM OPERATIONS AND IO CONTROL SIGNALS)

DRAWN		DATA GENERAL CORPORATION SOUTHBORO, MASSACHUSETTS 01772 TITLE DGC NOVA	
CHECKED			
ENGINEER			
APPROVED			
FIRST USED ON			
SIZE	CODE	DRAWING NUMBER	REV
D		001001624	03

AND SPECIFICATIONS HEREIN ARE THE PROPERTY OF DATA GENERAL CORPORATION AND SHALL NOT BE REPRODUCED OR COPIED OR USED IN WHOLE OR IN PART AS THE BASIS FOR MANUFACTURE OR SALE OF ITEMS WITHOUT WRITTEN PERMISSION.

REVISIONS				
REV	DESCRIPTION	DRFTG	APP BY	DATE

D

C

B

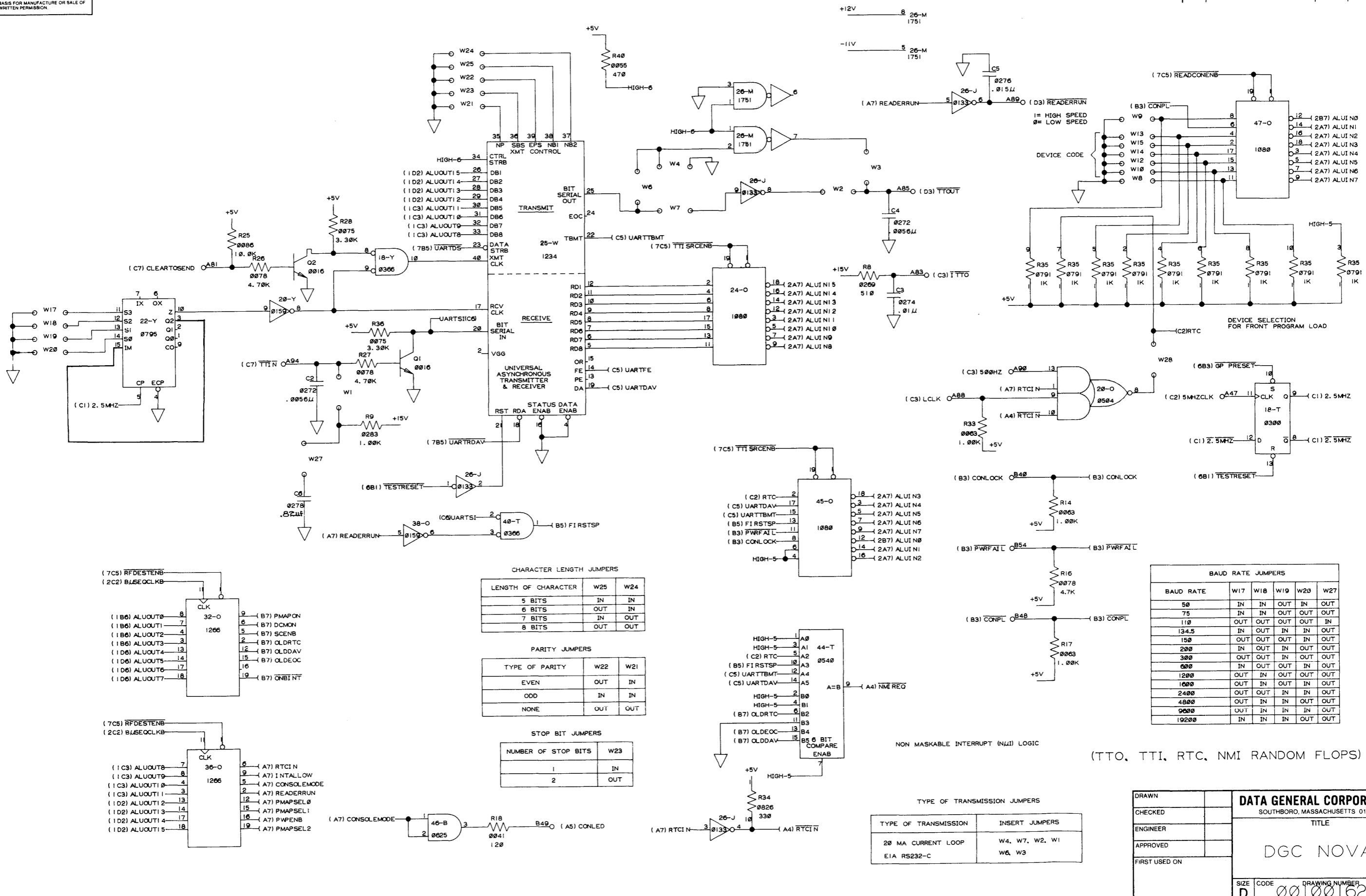
A

D

C

B

A



CHARACTER LENGTH JUMPERS

LENGTH OF CHARACTER	W25	W24
5 BITS	IN	IN
6 BITS	OUT	IN
7 BITS	IN	OUT
8 BITS	OUT	OUT

PARITY JUMPERS

TYPE OF PARITY	W22	W21
EVEN	OUT	IN
ODD	IN	IN
NONE	OUT	OUT

STOP BIT JUMPERS

NUMBER OF STOP BITS	W23
1	IN
2	OUT

TYPE OF TRANSMISSION JUMPERS

TYPE OF TRANSMISSION	INSERT JUMPERS
20 MA CURRENT LOOP	W4, W7, W2, W1
EIA RS232-C	W6, W3

BAUD RATE JUMPERS

BAUD RATE	W17	W18	W19	W20	W27
50	IN	IN	OUT	IN	OUT
75	IN	IN	OUT	IN	OUT
110	OUT	OUT	OUT	OUT	IN
134.5	IN	OUT	IN	IN	OUT
150	OUT	OUT	OUT	IN	OUT
200	IN	OUT	IN	OUT	OUT
300	OUT	OUT	IN	OUT	OUT
600	IN	OUT	OUT	IN	OUT
1200	OUT	IN	OUT	OUT	OUT
1800	OUT	OUT	IN	IN	OUT
2400	OUT	OUT	IN	IN	OUT
4800	OUT	IN	IN	OUT	OUT
9600	OUT	IN	IN	IN	OUT
19200	IN	IN	IN	OUT	OUT

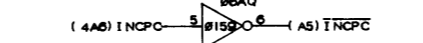
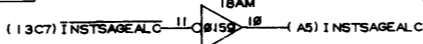
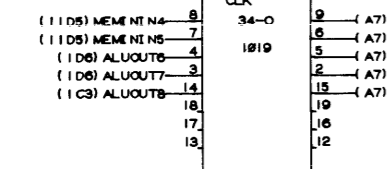
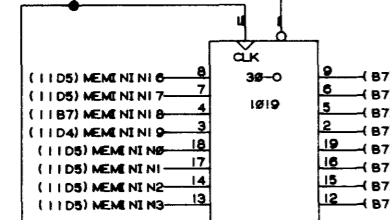
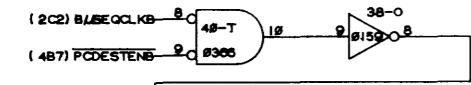
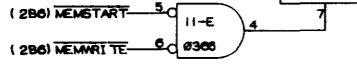
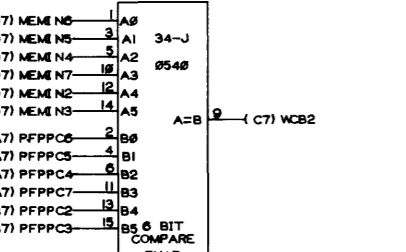
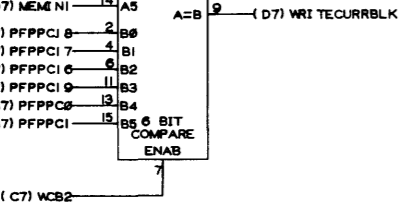
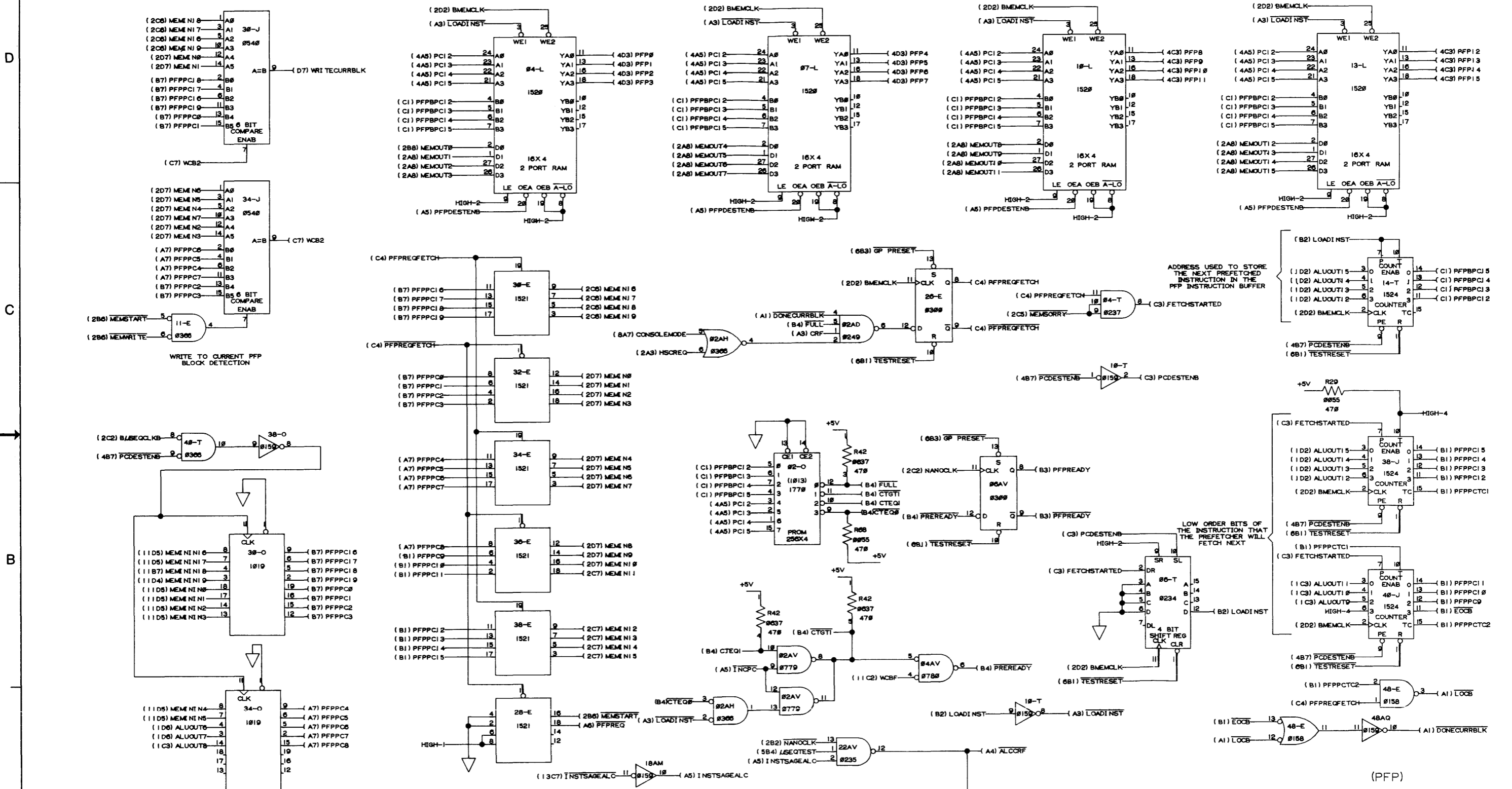
(TTO, TTI, RTC, NMI RANDOM FLOPS)

DRAWN	DATA GENERAL CORPORATION SOUTH BORO, MASSACHUSETTS 01772 TITLE <h1>DGC NOVA</h1>	
CHECKED		
ENGINEER		
APPROVED		
FIRST USED ON		
SIZE D	CODE 001001624	REV 03

THIS DRAWING AND SPECIFICATIONS HEREIN ARE THE PROPERTY OF DATA GENERAL CORPORATION AND SHALL NOT BE REPRODUCED OR COPIED OR USED IN WHOLE OR IN PART AS THE BASIS FOR MANUFACTURE OR SALE OF ITEMS WITHOUT WRITTEN PERMISSION

REVISIONS				
REV	DESCRIPTION	DRFTG	APP BY	DATE

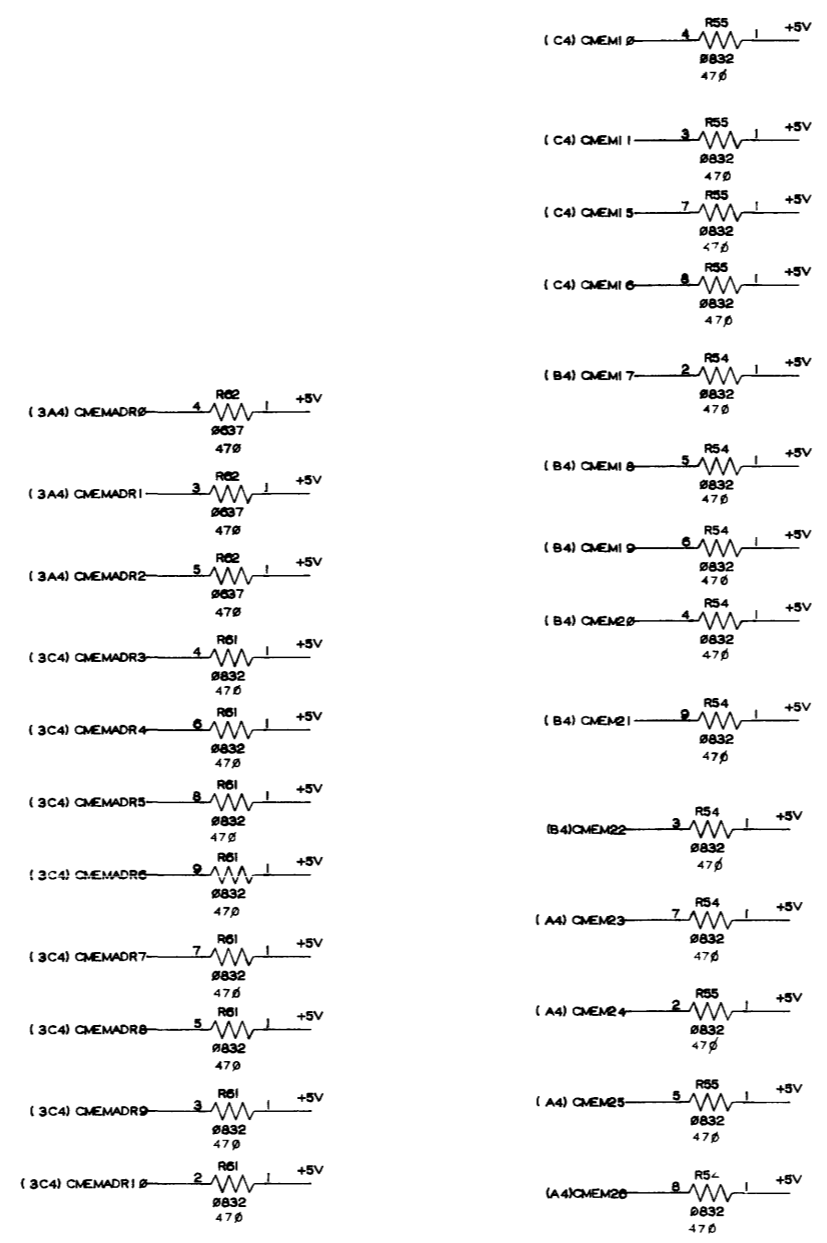
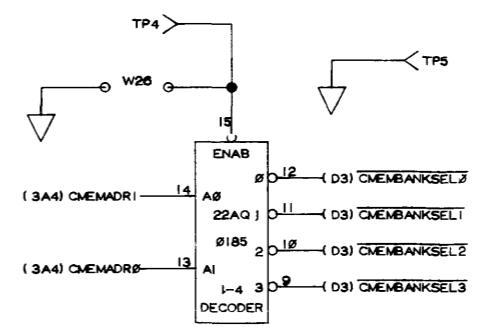
PPF INSTRUCTION STORAGE BUFFER



DRAWN		DATA GENERAL CORPORATION SOUTH BORDO, MASSACHUSETTS 01772 TITLE DGC NOVA	
CHECKED			
ENGINEER			
APPROVED			
FIRST USED ON			
SIZE	CODE	DRAWING NUMBER	REV
D		001001624	03

THIS DRAWING AND SPECIFICATIONS, HEREIN, ARE THE PROPERTY OF DATA GENERAL CORPORATION AND SHALL NOT BE REPRODUCED OR COPIED OR USED IN WHOLE OR IN PART AS THE BASIS FOR MANUFACTURE OR SALE OF ITEMS WITHOUT WRITTEN PERMISSION.

REVISIONS				
REV	DESCRIPTION	DRFTG	APP BY	DATE

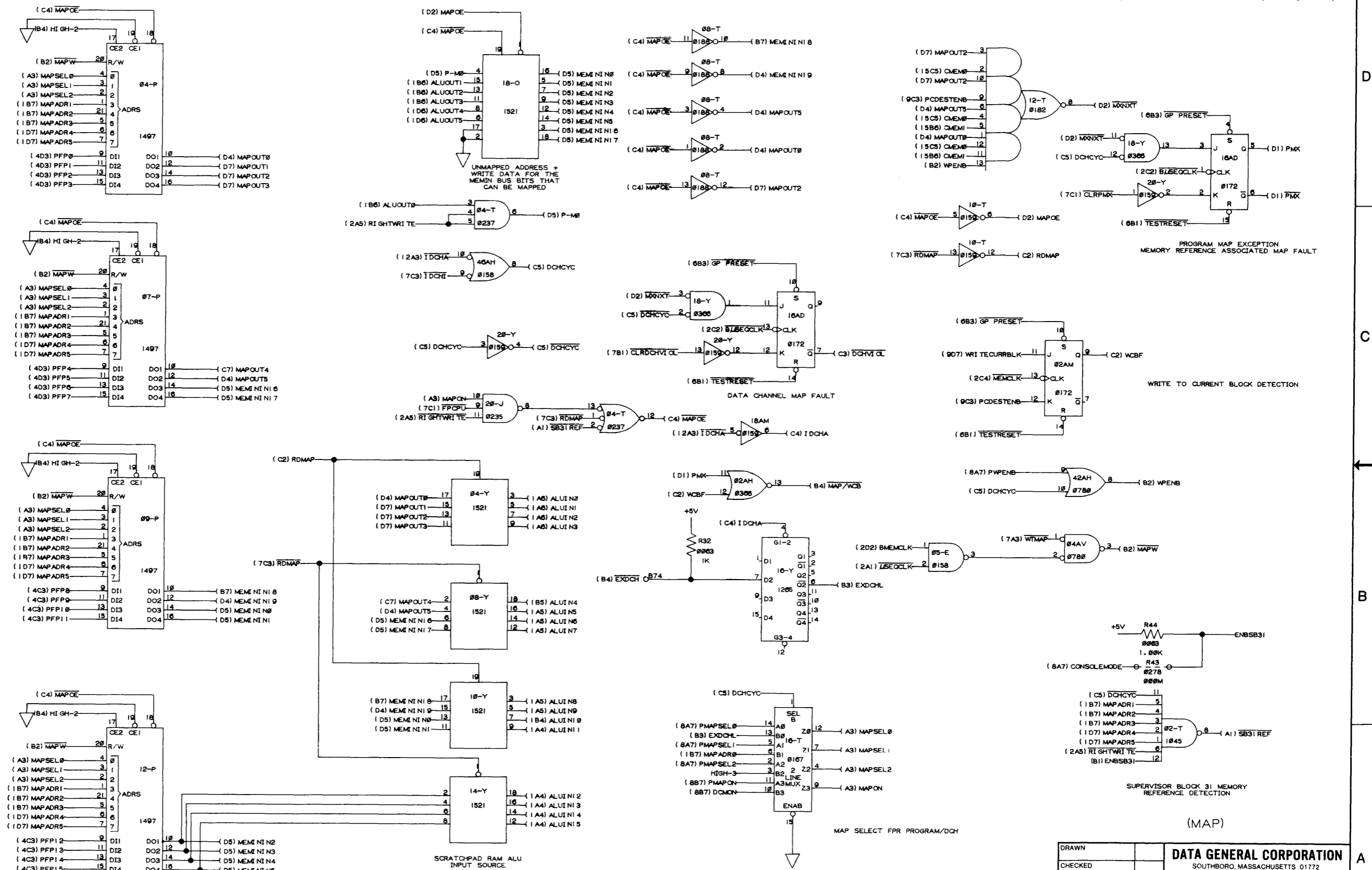


(CONTROL ROMARRAY)

DRAWN		DATA GENERAL CORPORATION SOUTHBORO, MASSACHUSETTS 01772 TITLE DGC NOVA	
CHECKED			
ENGINEER			
APPROVED			
FIRST USED ON			
SIZE	CODE	DRAWING NUMBER	REV
D		001001624	03

THIS DRAWING AND SPECIFICATIONS, HEREIN, ARE THE PROPERTY OF DATA GENERAL CORPORATION AND SHALL NOT BE REPRODUCED OR COPIED OR USED IN WHOLE OR IN PART AS THE BASIS FOR MANUFACTURE OR SALE OF ITEMS WITHOUT WRITTEN PERMISSION.

REVISIONS			
REV	DESCRIPTION	DRFTG	APP BY DATE



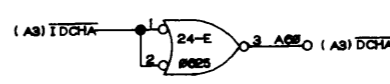
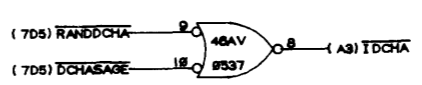
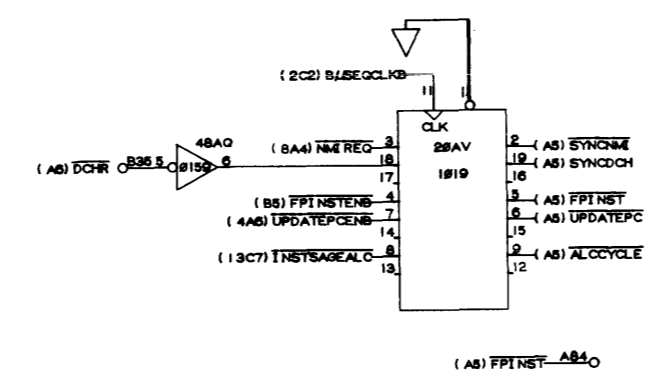
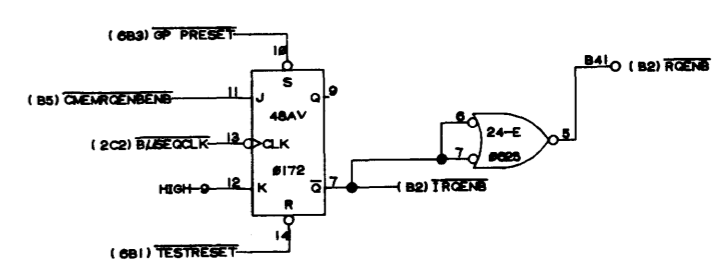
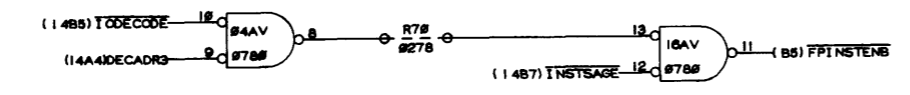
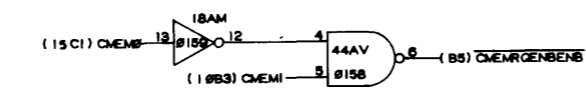
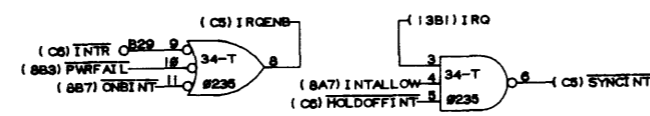
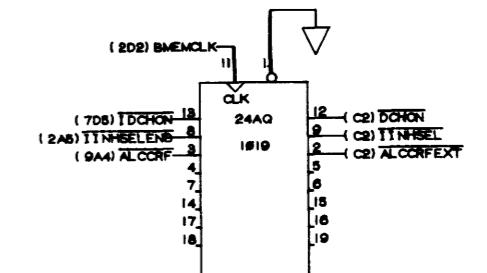
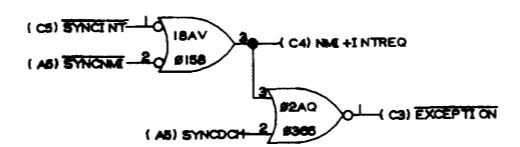
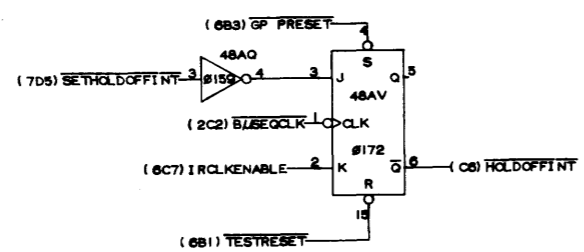
256X16 SCRATCHPAD RAM INCLUDES MAP ENTRIES

DRAWN		DATA GENERAL CORPORATION SOUTHBORO, MASSACHUSETTS 01772 TITLE DGC NOVA SIZE CODE 00100162403
CHECKED		
ENGINEER		
APPROVED		
FIRST USED ON		

REVISONS

REV	DESCRIPTION	DRFTG	APP BY	DATE

THIS DRAWING AND SPECIFICATIONS, HEREIN, ARE THE PROPERTY OF DATA GENERAL CORPORATION AND SHALL NOT BE REPRODUCED OR COPIED OR USED IN WHOLE OR IN PART AS THE BASIS FOR MANUFACTURE OR SALE OF ITEMS WITHOUT WRITTEN PERMISSION.



(MEMORY CONTROL, DATA CHANNEL LOGIC, INTERRUPT LOGIC)

DRAWN		DATA GENERAL CORPORATION	
CHECKED		SOUTHBORO, MASSACHUSETTS 01772	
ENGINEER		TITLE	
APPROVED		DGC NOVA	
FIRST USED ON		SIZE	CODE
		D	00100162403

REVISIONS				
REV	DESCRIPTION	DRFTG	APP BY	DATE

THIS DRAWING AND SPECIFICATIONS, HEREIN, ARE THE PROPERTY OF DATA GENERAL CORPORATION AND SHALL NOT BE REPRODUCED OR COPIED OR USED IN WHOLE OR IN PART AS THE BASIS FOR MANUFACTURE OR SALE OF ITEMS WITHOUT WRITTEN PERMISSION.

D

C

B

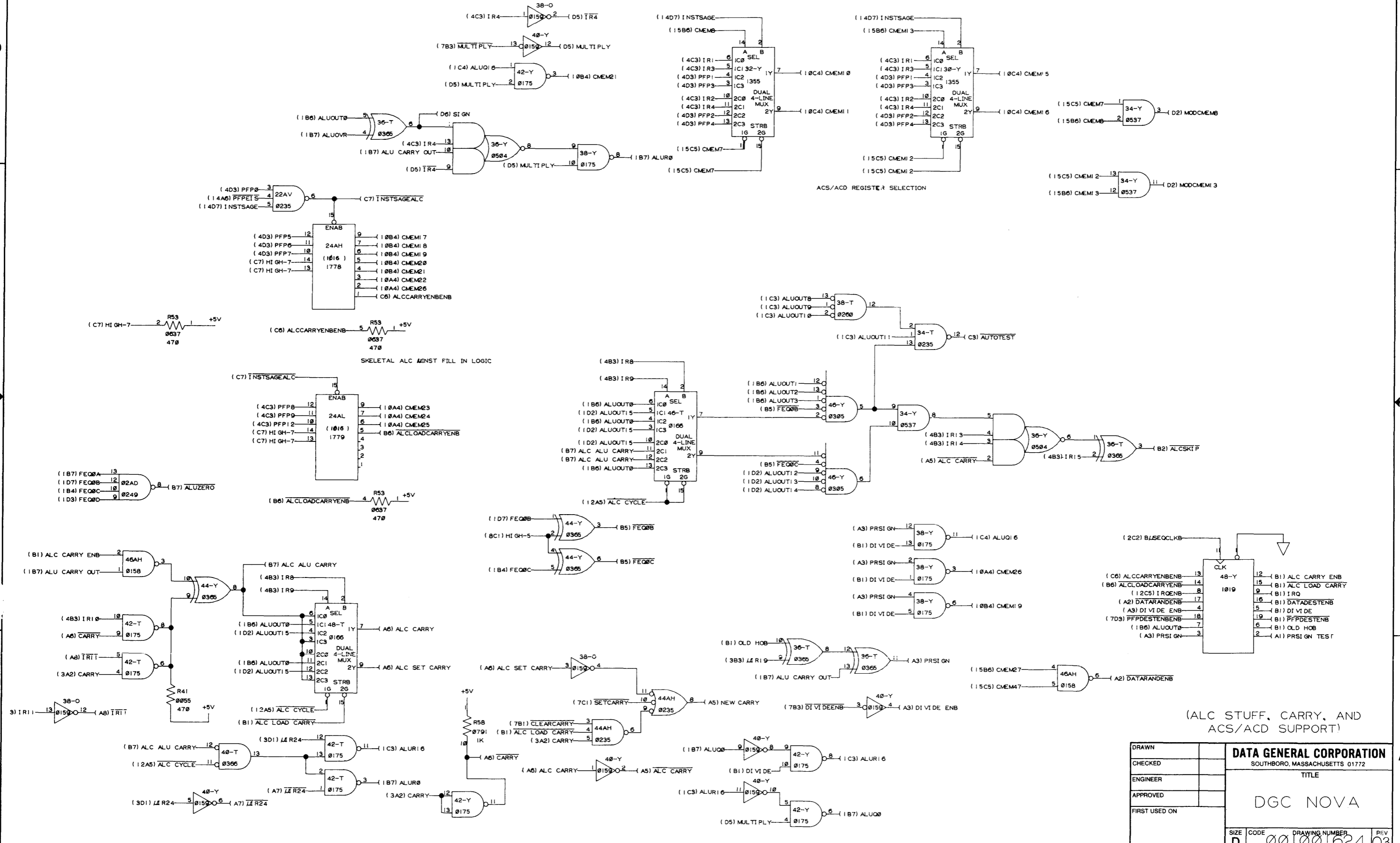
A

D

C

B

A



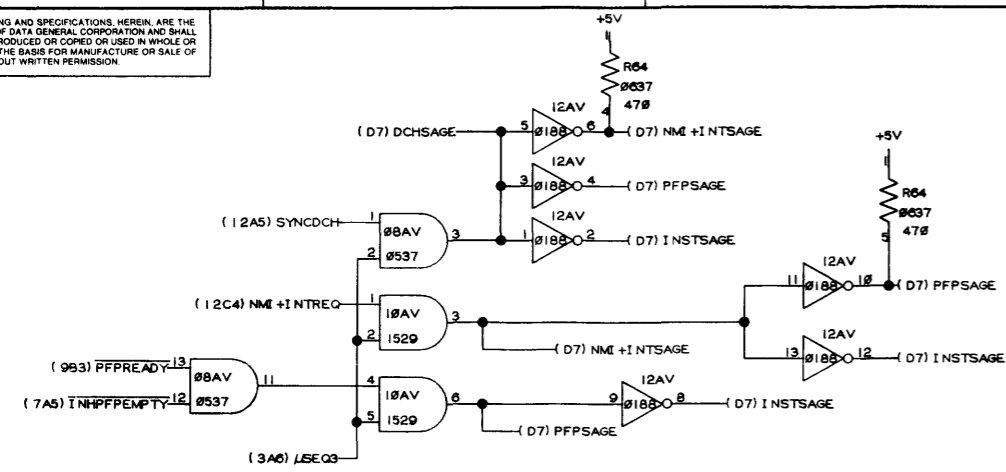
(ALC STUFF, CARRY, AND ACS/ACD SUPPORT)

DRAWN		DATA GENERAL CORPORATION SOUTHBORO, MASSACHUSETTS 01772 TITLE DGC NOVA			
CHECKED					
ENGINEER					
APPROVED					
FIRST USED ON					
SIZE	D	DRAWING NUMBER	001001624	REV	03

REVISIONS

REV	DESCRIPTION	DRFTG	APP BY	DATE

THIS DRAWING AND SPECIFICATIONS, HEREIN, ARE THE PROPERTY OF DATA GENERAL CORPORATION AND SHALL NOT BE REPRODUCED OR COPIED OR USED IN WHOLE OR IN PART AS THE BASIS FOR MANUFACTURE OR SALE OF ITEMS WITHOUT WRITTEN PERMISSION.



SAGE PRIORITY LOGIC
 1 DCH
 2 INTERRUPT OR NMI
 3 PFP EMPTY
 4 INSTRUCTIONS

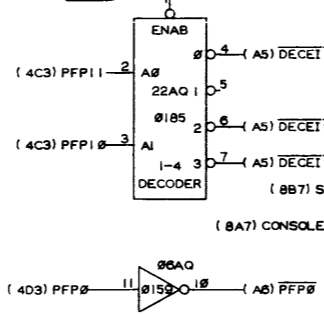
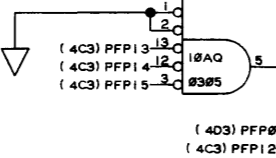
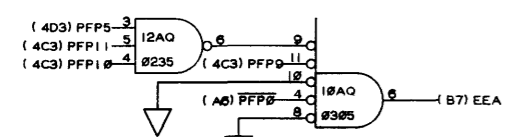
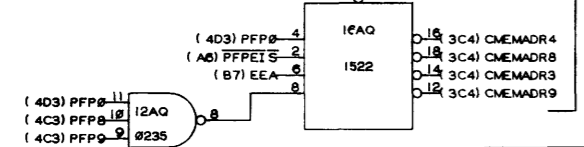
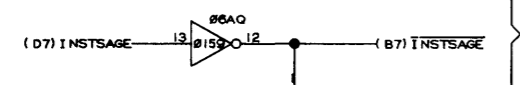
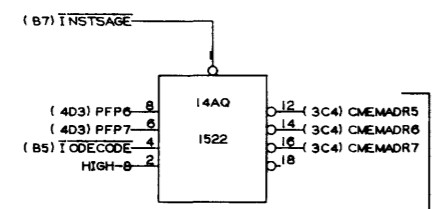
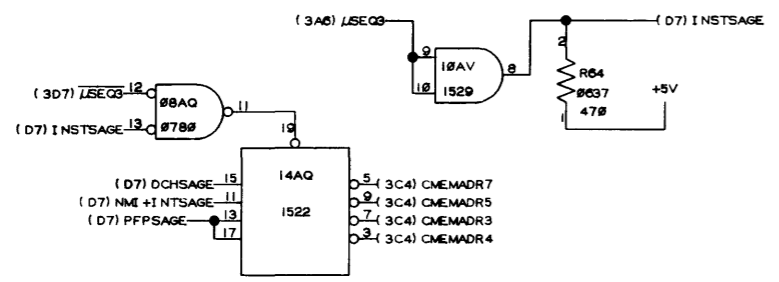
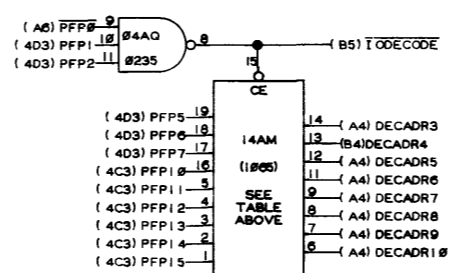
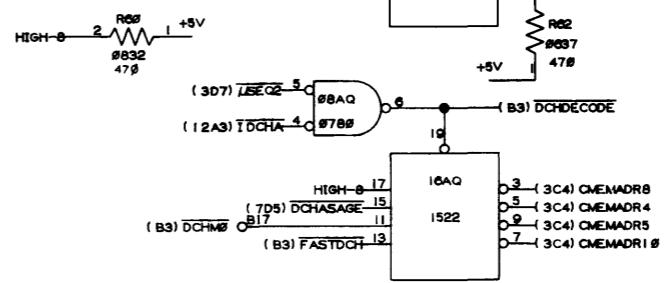
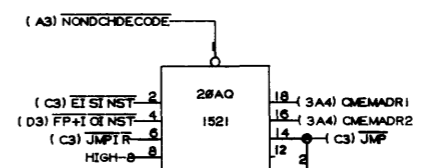
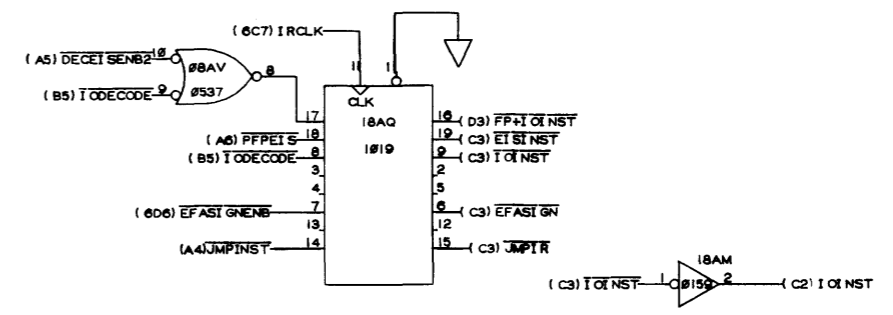
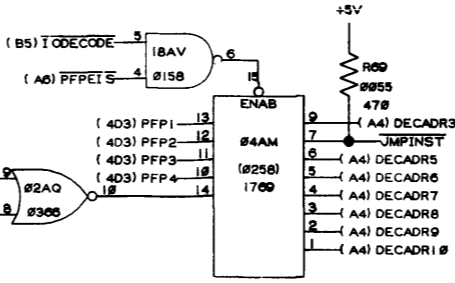


TABLE	
005012057	1754
005012785	1788
005012787	175C
005012786	1769

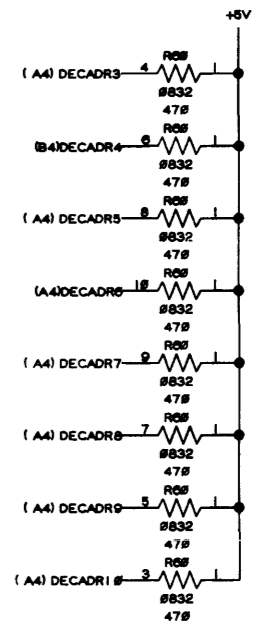
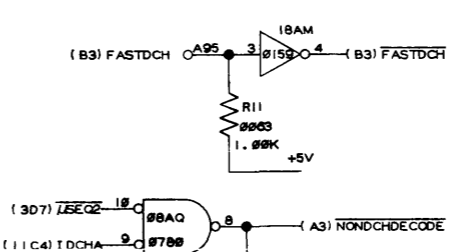
I/O DECODE FROM



MEMORY REFERENCE DECODE FROM



DATA CHANNEL DECODE ADDRESS



(DECODE SAGE)

DRAWN		DATA GENERAL CORPORATION SOUTHBORO, MASSACHUSETTS 01772 TITLE DGC NOVA
CHECKED		
ENGINEER		
APPROVED		
FIRST USED ON		
SIZE	CODE	DRAWING NUMBER
D		00100162403

THIS DRAWING AND SPECIFICATIONS HEREIN ARE THE PROPERTY OF DATA GENERAL CORPORATION AND SHALL NOT BE REPRODUCED OR COPIED OR USED IN WHOLE OR IN PART AS THE BASIS FOR MANUFACTURE OR SALE OF ITEMS WITHOUT WRITTEN PERMISSION.

REVISIONS				
REV	DESCRIPTION	DRFTG	APP BY	DATE

D

D

C

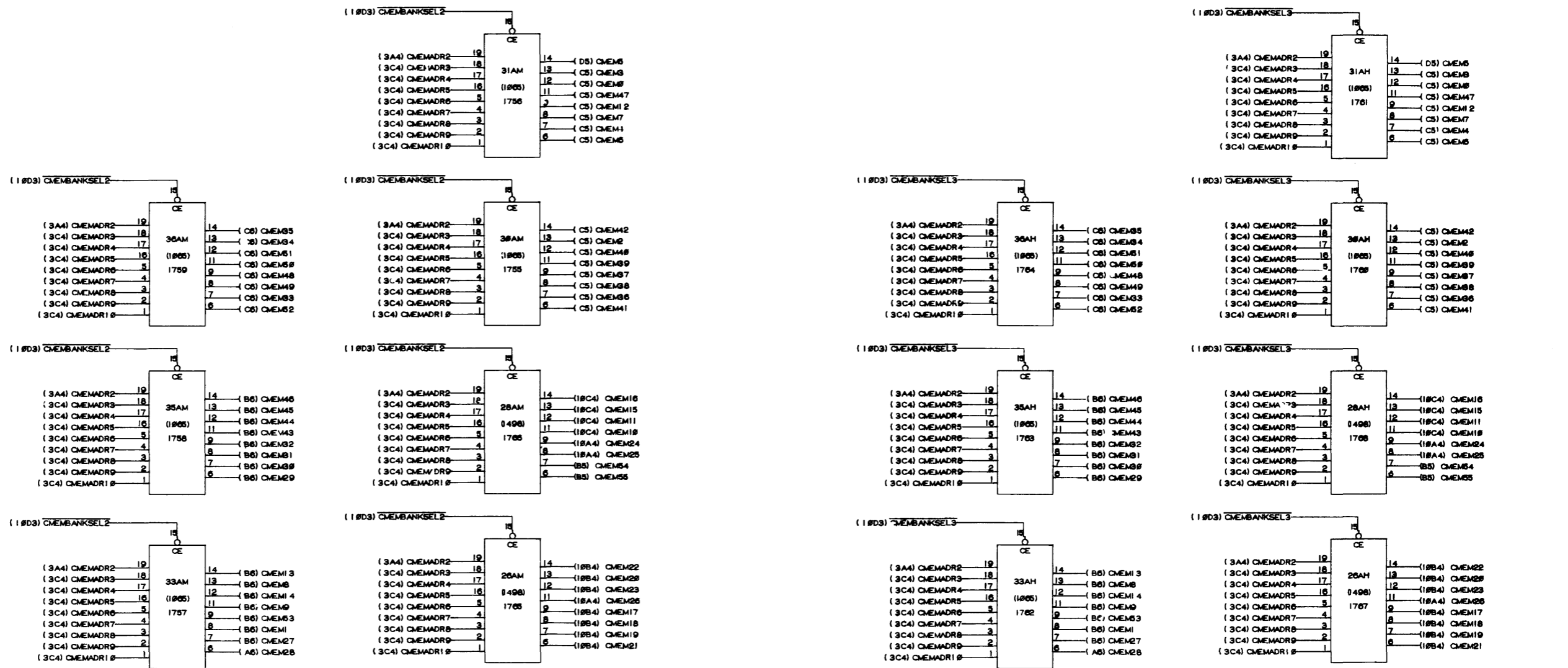
C

B

B

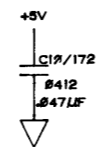
A

A



CONTROL MEMORY ADDRESSES 2800₈ TO 2777₈

CONTROL MEMORY ADDRESSES 3000₈ TO 3777₈



(CONTROL ROMARRAY)

DRAWN		DATA GENERAL CORPORATION SOUTHBORO, MASSACHUSETTS 01772 TITLE DGC NOVA
CHECKED		
ENGINEER		
APPROVED		
FIRST USED ON		
SIZE	D	CODE 00100162403 DRAWING NUMBER REV