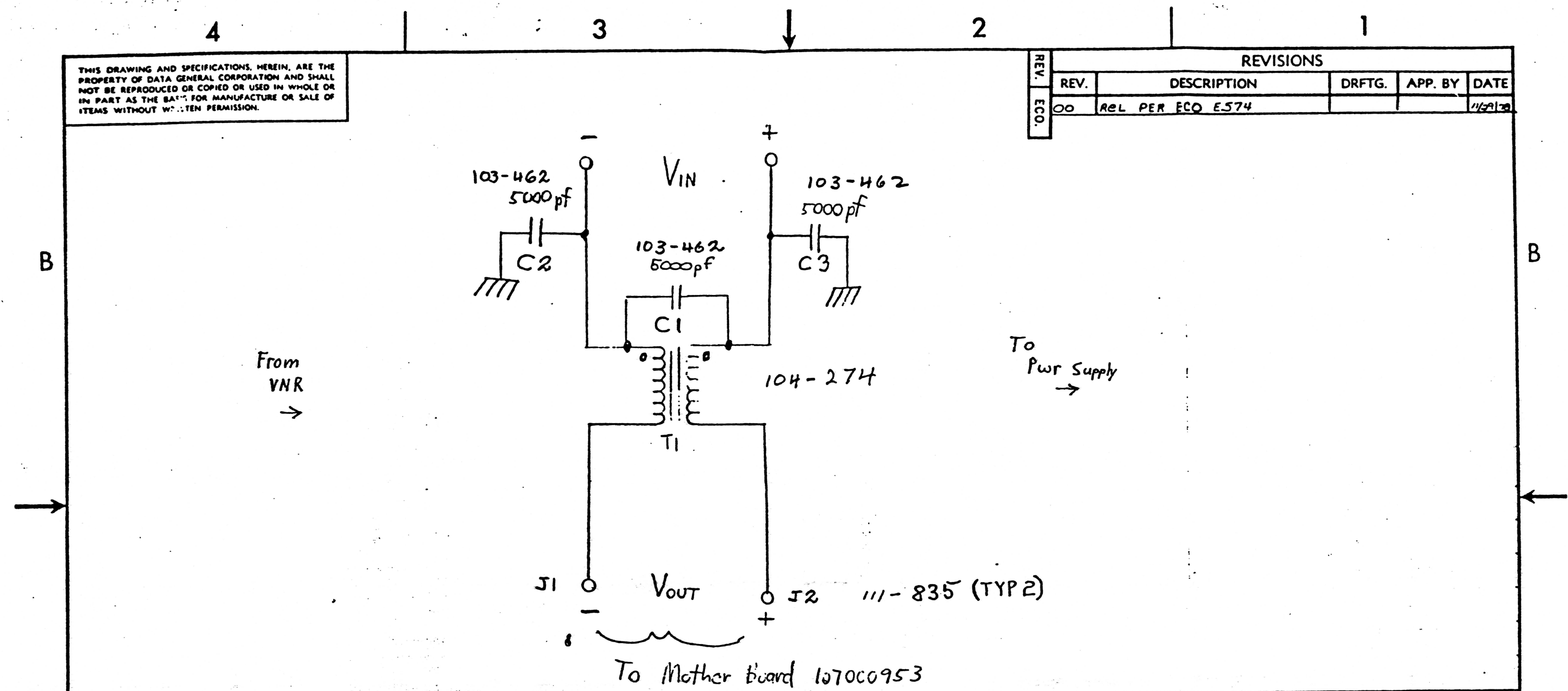


THIS DRAWING AND SPECIFICATIONS, HEREIN, ARE THE PROPERTY OF DATA GENERAL CORPORATION AND SHALL NOT BE REPRODUCED OR COPIED OR USED IN WHOLE OR IN PART AS THE BASIS FOR MANUFACTURE OR SALE OF ITEMS WITHOUT WRITTEN PERMISSION.

REVISIONS				
REV.	DESCRIPTION	DRFTG.	APP. BY	DATE
00	REL PER ECO E574			11/21/73



BRUNING 40-525 20411-4

013000836-00

ITEM	QTY.	DESCRIPTION	PART NO.
DO NOT SCALE DRAWING. UNLESS OTHERWISE SPECIFIED USE D.G.C. SPECIFICATION 108-000028 FOR TOLER- ANCES AND WORKMAN- SHIP REQUIREMENTS		DRAWN	<b>DATA GENERAL CORPORATION</b> SOUTHBORO, MASS. 01772 TITLE DGC FILTER PCB SCHEMATIC (NOVA 4)
MATERIAL		CHECKED	
FINISH		ENGINEER	
		APPROVED <i>[Signature]</i> 11/10/73	
		FIRST USED ON 005013423	
SCALE	CODE IDENT.	SIZE	CODE
	34984	B	001
		DRAWING NUMBER	REV.
		001621	00

(547)