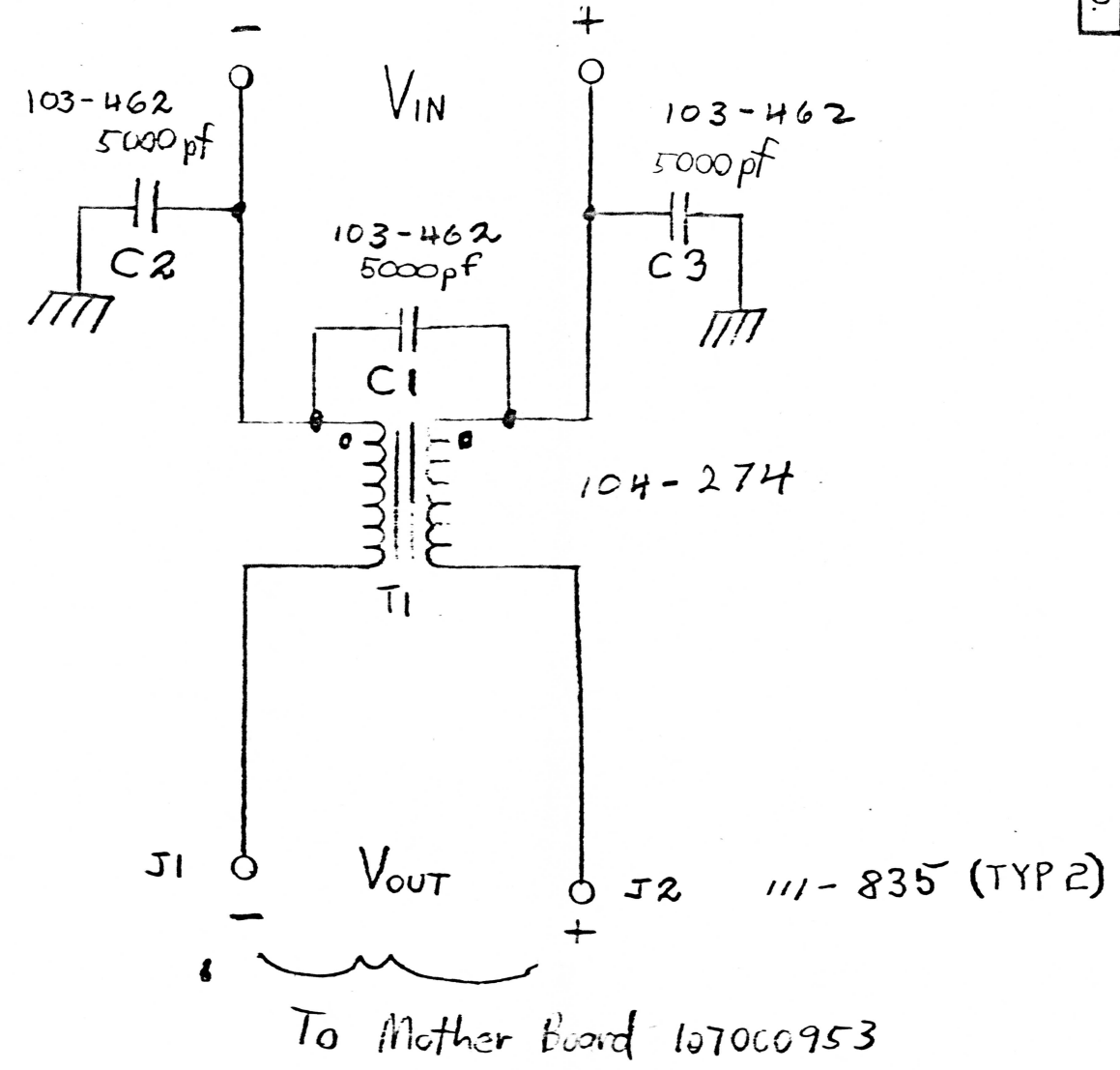


THIS DRAWING AND SPECIFICATIONS, HEREIN, ARE THE PROPERTY OF DATA GENERAL CORPORATION AND SHALL NOT BE REPRODUCED OR COPIED OR USED IN WHOLE OR IN PART AS THE BASIS FOR MANUFACTURE OR SALE OF ITEMS WITHOUT WRITTEN PERMISSION.

| REVISIONS | | | | |
|-----------|------------------|--------|---------|----------|
| REV. | DESCRIPTION | DRFTG. | APP. BY | DATE |
| 00 | REL PER ECO E574 | | | 11/29/78 |



BRUNING 40-526 20411-4

013000836-00

| ITEM | QTY. | DESCRIPTION | PART NO. |
|--|-------------|--------------------------------------|--|
| DO NOT SCALE DRAWING. | | DRAWN | DATA GENERAL CORPORATION SOUTHBORO, MASS. 01772 TITLE DGC FILTER PCB SCHEMATIC |
| UNLESS OTHERWISE SPECIFIED USE D.G.C. SPECIFICATION 108-000028 FOR TOLERANCES AND WORKMANSHIP REQUIREMENTS | | CHECKED | |
| MATERIAL | | ENGINEER | |
| FINISH | | APPROVED <i>J. Chern</i> 11/10/78 | |
| | | FIRST USED ON 005013423 | |
| SCALE | CODE IDENT. | SIZE | CODE |
| | 34984 | B | 001 |
| | | DRAWING NUMBER | REV. |
| | | 001621 | 00 |