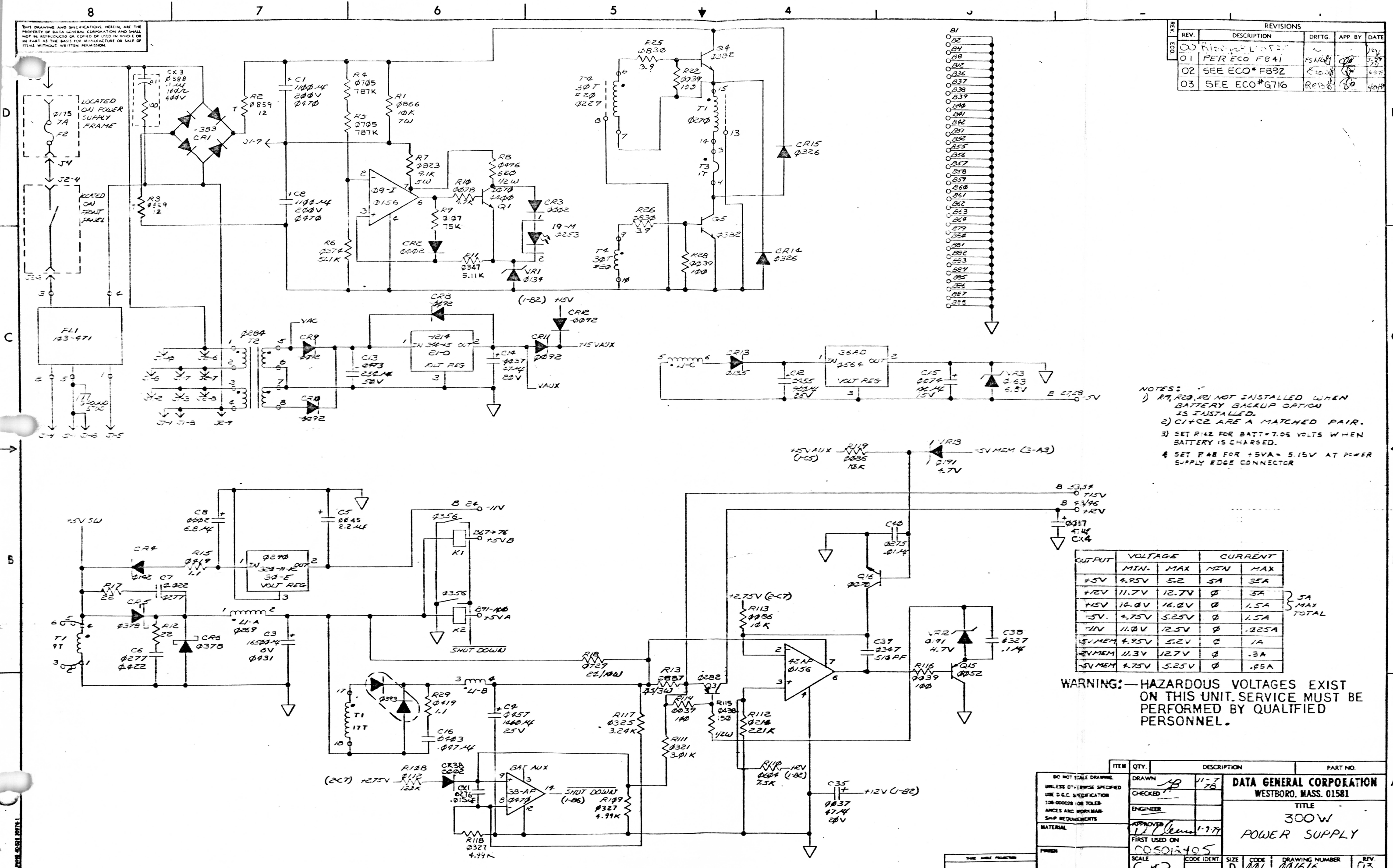


THIS DRAWING AND SPECIFICATIONS, HEREIN, ARE THE PROPERTY OF DATA GENERAL CORPORATION AND SHALL NOT BE REPRODUCED OR COPIED IN WHOLE OR IN PART AS THE BASIS FOR MANUFACTURE OR SALE OF ITEMS WITHOUT WRITTEN PERMISSION.

REVISIONS				
REV.	DESCRIPTION	DRFTG.	APP BY	DATE
00	REVISED			
01	PER ECO #B41	FS		7-27
02	SEE ECO #B92			4-27
03	SEE ECO #G716	REB		4-27



- NOTES:
- 1) R9, R20, R21 NOT INSTALLED WHEN BATTERY BACKUP OPTION IS INSTALLED.
 - 2) C1+C2 ARE A MATCHED PAIR.
 - 3) SET P142 FOR BATT=7.05 VOLTS WHEN BATTERY IS CHARGED.
 - 4) SET P#8 FOR +5VA = 5.15V AT POWER SUPPLY EDGE CONNECTOR

OUTPUT	VOLTAGE		CURRENT	
	MIN.	MAX	MIN	MAX
+5V	4.95V	5.2	5A	35A
+12V	11.7V	12.7V	0	3A
+5V	16.0V	16.2V	0	1.5A
-5V	4.75V	5.25V	0	1.5A
-11V	11.0V	12.5V	0	.025A
+5V MEM	4.95V	5.2V	0	1A
-5V MEM	11.3V	12.7V	0	.3A
-5V MEM	4.75V	5.25V	0	.85A

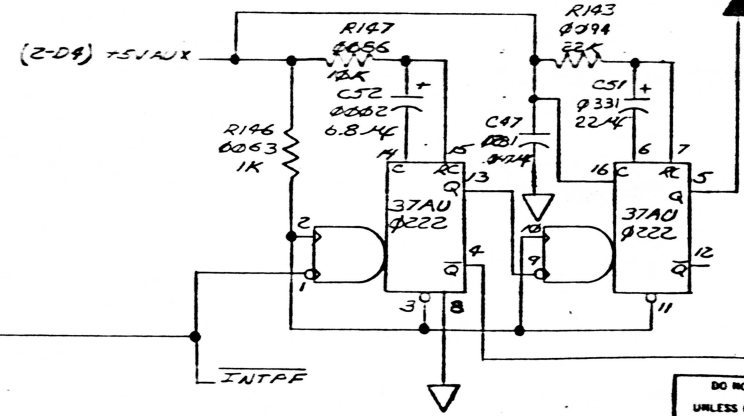
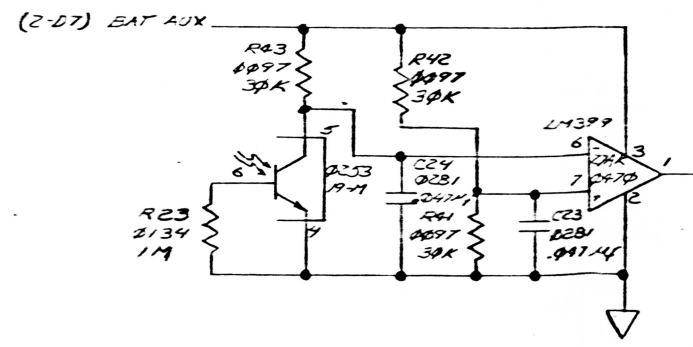
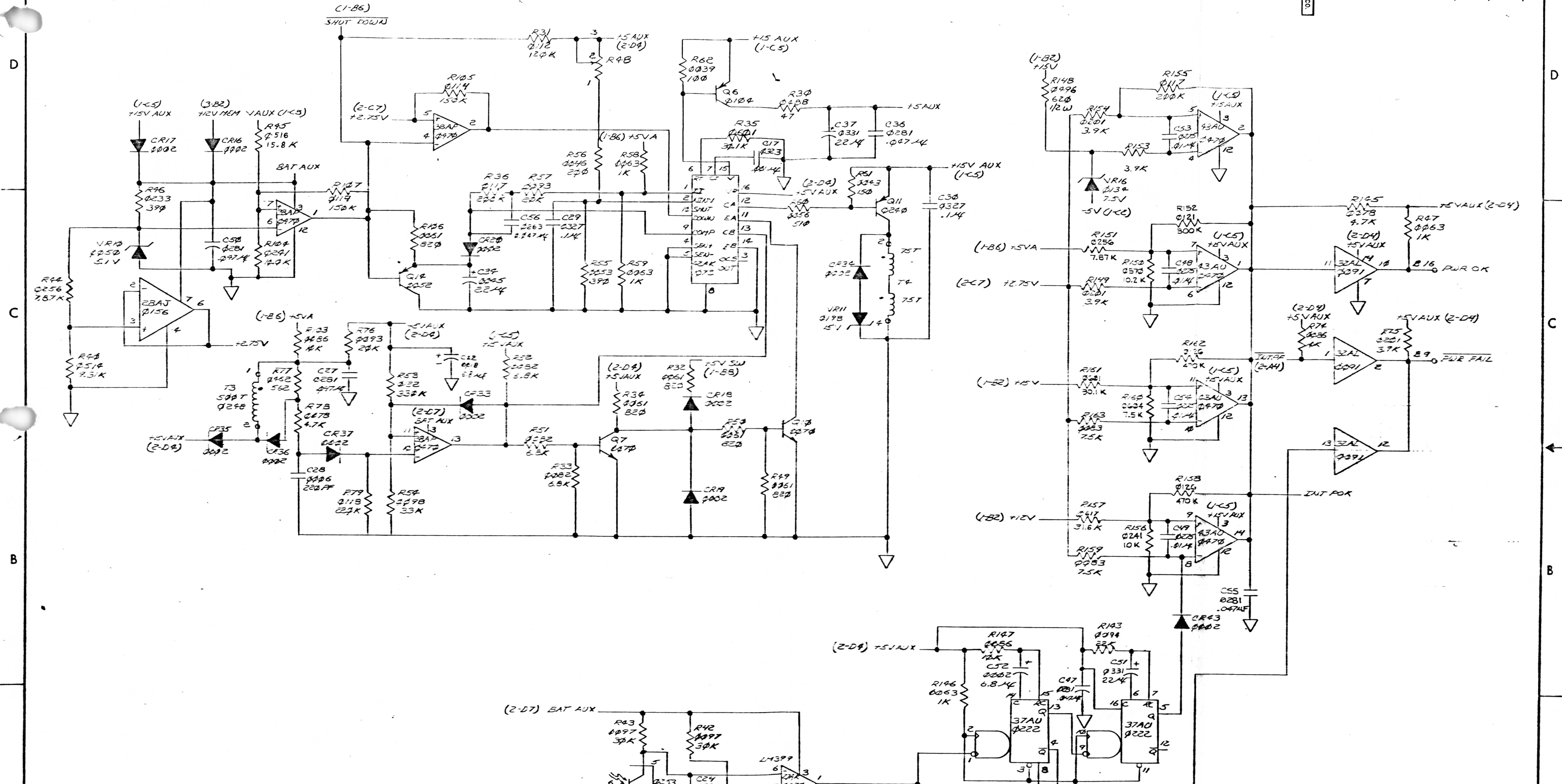
5A MAX TOTAL

WARNING:—HAZARDOUS VOLTAGES EXIST ON THIS UNIT. SERVICE MUST BE PERFORMED BY QUALIFIED PERSONNEL.

ITEM	QTY.	DESCRIPTION	PART NO.
DO NOT SCALE DRAWING UNLESS OTHERWISE SPECIFIED USE D.C.C. SPECIFICATION 100-00028 FOR TOLERANCES AND WORKMANSHIP REQUIREMENTS			
DRAWN	10	11-7	
CHECKED			
ENGINEER			
APPROVED		1-77	
FIRST USED ON			
MATERIAL			
FINISH			
SCALE	1:1	CODE IDENT	
SIZE	D	CODE	
DRAWING NUMBER	001616	REV.	03

THIS DRAWING AND SPECIFICATIONS HEREIN ARE THE PROPERTY OF DATA GENERAL CORPORATION AND SHALL NOT BE REPRODUCED OR COPIED OR USED IN WHOLE OR IN PART AS THE BASIS FOR MANUFACTURE OR SALE OF ITEMS WITHOUT WRITTEN PERMISSION.

REVISIONS				
REV.	DESCRIPTION	DRFTG.	APP. BY	DATE
ECO				



DO NOT SCALE DRAWING UNLESS OTHERWISE SPECIFIED USE D.C.C. SPECIFICATION 100-00000 FOR TOLERANCES AND WORKMANSHIP REQUIREMENTS	ITEM	QTY.	DESCRIPTION	PART NO.
	DRAWN	AB	11-9 78	
	CHECKED			
	ENGINEER			
MATERIAL				
APPROVED				
FIRST USED ON				
FINISH				
SCALE	CH	CODE IDENT.	SIZE	CODE
			D	001
			001/616	03

DATA GENERAL CORPORATION
WESTBORO, MASS. 01581
TITLE
300W
POWER SUPPLY

THIS HOLE PROJECTION

1 SHEET OF 3

