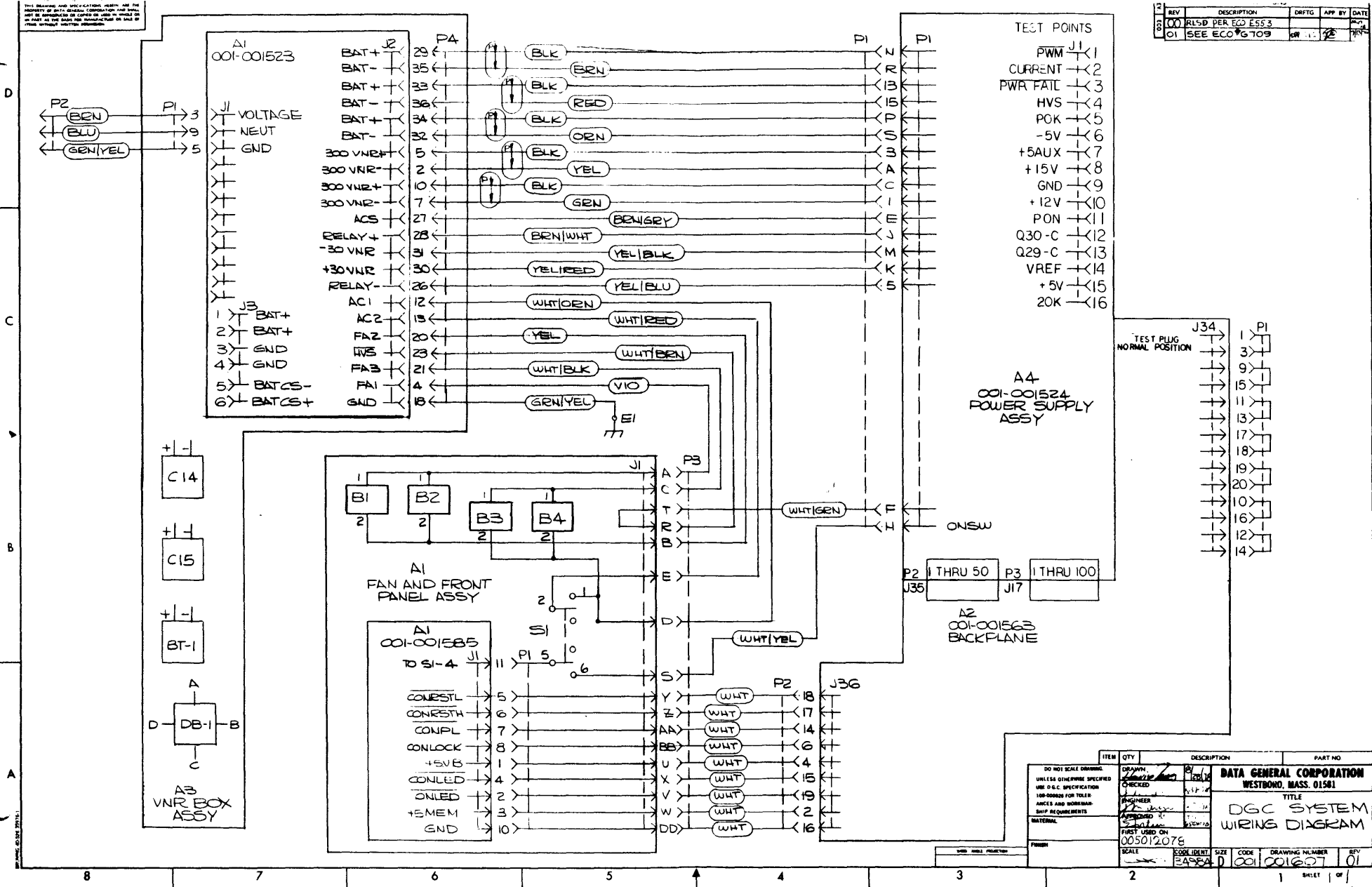


THIS DRAWING AND SPECIFICATION HEREIN ARE THE PROPERTY OF DATA GENERAL CORPORATION AND SHALL REMAIN THE PROPERTY OF DATA GENERAL CORPORATION IN WHATEVER MANNER AND BY WHATEVER MEANS, AND SHALL BE KEPT IN CONFIDENTIALITY AND NOT TO BE REPRODUCED OR TRANSMITTED IN ANY FORM OR BY ANY MEANS, WITHOUT THE WRITTEN PERMISSION OF DATA GENERAL CORPORATION.

REV	DESCRIPTION	DRFTG	APP BY	DATE
00	RLSD PER ECO E55 3			
01	SEE ECO 709			



ITEM	QTY	DESCRIPTION	PART NO
DO NOT SCALE DRAWING			
UNLESS OTHERWISE SPECIFIED			
USE D & C SPECIFICATION			
TOLERANCES FOR TOLERANCES			
FINISHES AND WORKMANSHIP			
SHIP REQUIREMENTS			
MATERIAL			
FIRST USED ON 005012078			
SCALE 1:1			
EQUIV. IDENT. SIZE CODE DRAWING NUMBER 001001607			
REV 01			

DATA GENERAL CORPORATION
WESTBORD, MASS. 01581
TITLE
DGC SYSTEM
WIRING DIAGRAM