

THIS DRAWING AND SPECIFICATIONS HEREIN ARE THE PROPERTY OF DATA GENERAL CORPORATION AND SHALL NOT BE REPRODUCED OR COPIED OR USED IN WHOLE OR IN PART AS THE BASIS FOR MANUFACTURE OR SALE OF ITEMS WITHOUT WRITTEN PERMISSION

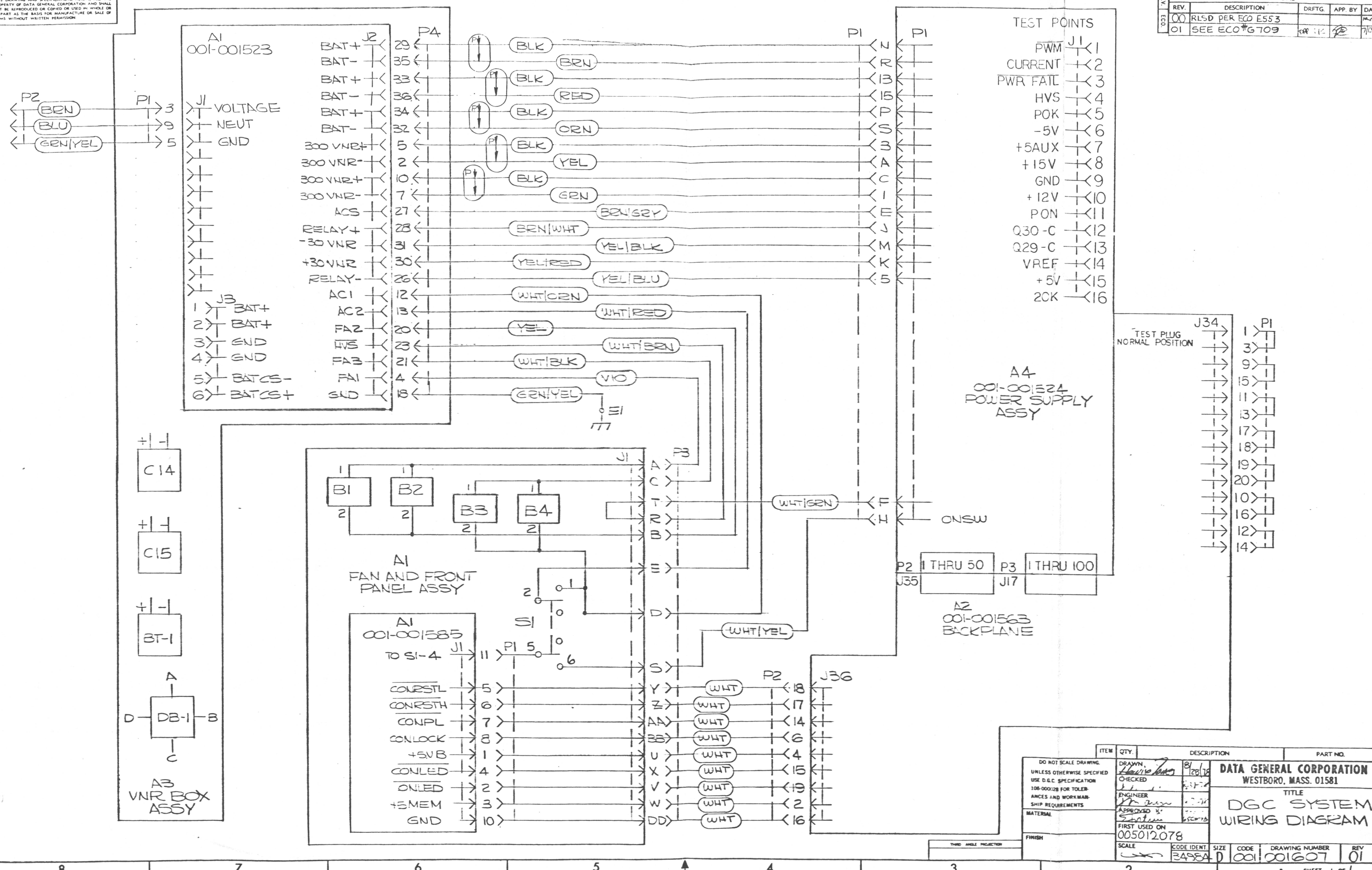
REV.	DESCRIPTION	DRFTG.	APP. BY	DATE
00	RLSD PER ECO E553			11/93
01	SEE ECO #6709			7/07

D

C

B

A



TEST POINTS

PWM	J1	1
CURRENT		2
PWR FAIL		3
HVS		4
POK		5
-5V		6
+5AUX		7
+15V		8
GND		9
+12V		10
PON		11
Q30-C		12
Q29-C		13
VREF		14
+5V		15
20K		16

TEST PLUG NORMAL POSITION

J34	1	PI
	3	
	9	
	15	
	11	
	13	
	17	
	18	
	19	
	20	
	10	
	16	
	12	
	14	

ITEM	QTY.	DESCRIPTION	PART NO.
DO NOT SCALE DRAWING. UNLESS OTHERWISE SPECIFIED USE D.G.C. SPECIFICATION 108-000128 FOR TOLERANCES AND WORKMANSHIP REQUIREMENTS.			
DRAWN	8/12/78	DATA GENERAL CORPORATION WESTBORO, MASS. 01581	
CHECKED		TITLE	
ENGINEER		DGC SYSTEM WIRING DIAGRAM	
APPROVED BY		FIRST USED ON	
		005012078	
SCALE	CODE IDENT.	SIZE	CODE
	BASEA	D	001-001607
FINISH		DRAWING NUMBER	REV
			01