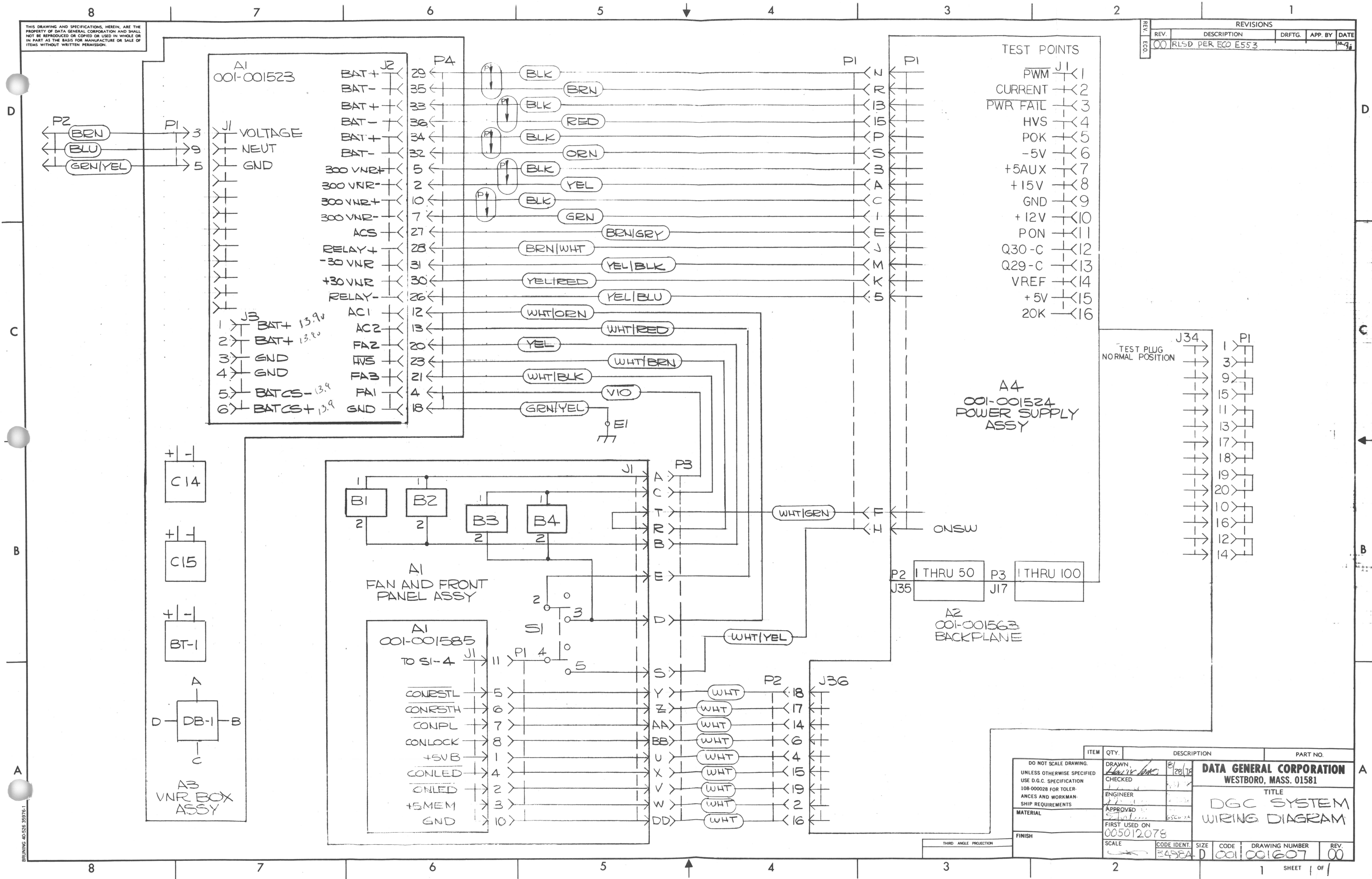


THIS DRAWING AND SPECIFICATIONS, HEREIN, ARE THE PROPERTY OF DATA GENERAL CORPORATION AND SHALL NOT BE REPRODUCED OR COPIED OR USED IN WHOLE OR IN PART AS THE BASIS FOR MANUFACTURE OR SALE OF ITEMS WITHOUT WRITTEN PERMISSION.

REVISIONS				
REV.	DESCRIPTION	DRFTG.	APP. BY	DATE
00	RLSD PER ECO E553			12/9/78



ITEM	QTY.	DESCRIPTION	PART NO.
DO NOT SCALE DRAWING. UNLESS OTHERWISE SPECIFIED USE D.G.C. SPECIFICATION 108-00028 FOR TOLERANCES AND WORKMANSHIP REQUIREMENTS.			
DRAWN: <i>[Signature]</i>		DATE: 8/28/78	
CHECKED: <i>[Signature]</i>		DATE: 9/1/78	
ENGINEER: <i>[Signature]</i>		DATE: 9/1/78	
APPROVED: <i>[Signature]</i>		DATE: 9/1/78	
MATERIAL: <i>[Signature]</i>		DATE: 9/1/78	
FINISH: <i>[Signature]</i>		DATE: 9/1/78	
FIRST USED ON: 005012078		SCALE: 1:1	
CODE IDENT: 458A		SIZE: D	
DRAWING NUMBER: 001-001607		REV: 00	

DATA GENERAL CORPORATION
WESTBORO, MASS. 01581

TITLE
DGC SYSTEM WIRING DIAGRAM

BRUNING 40-526 35976