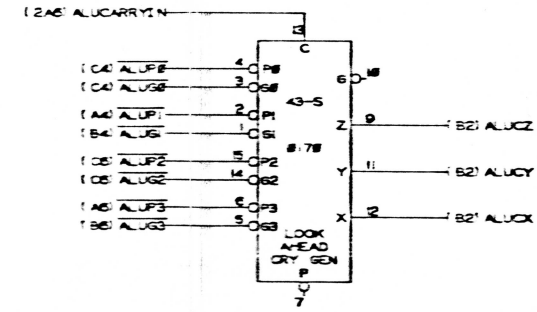
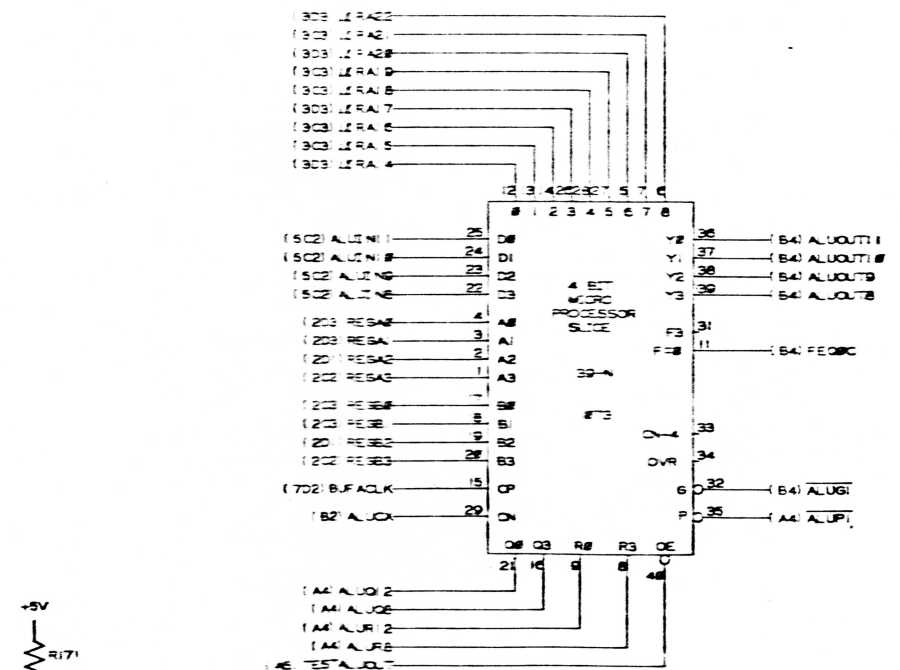
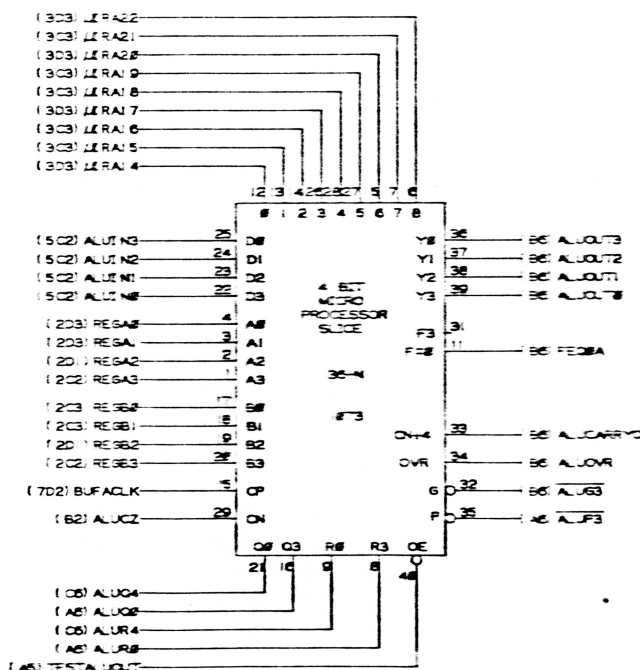
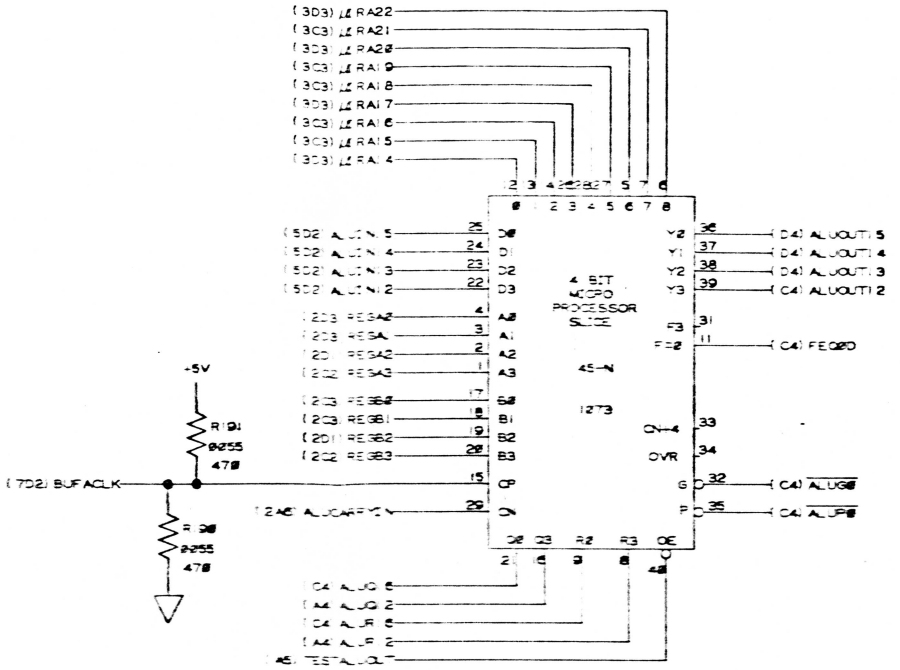
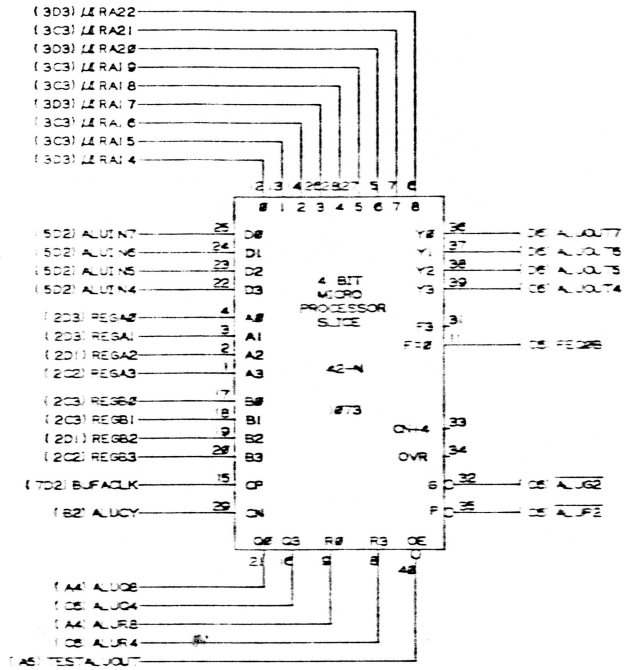


THIS DRAWING AND SPECIFICATIONS HEREIN ARE THE PROPERTY OF DATA GENERAL CORPORATION AND SHALL NOT BE REPRODUCED OR COPIED OR USED IN WHOLE OR IN PART AS THE BASIS FOR MANUFACTURE OR SALE OF ITEMS WITHOUT WRITTEN PERMISSION.

REVISIONS				
REV	DESCRIPTION	DRFTG	APP BY	DATE
00	RLSD PER ECO F835			3/27/79
01	PER ECO F833	WLD	CPR	3/27/79
02	PER ECO F839	REB	CPR	3/27/79
03	PER ECO G700	REB	CPR	3/27/79
04	PER ECO G703			3/27/79



SPARE GATES

8790	83-J	00
8797	83-N	00
8305	85-W	00
8786	85AS	00
828	87-J	00
8150	87AN	00
8027	89-B	00
8038	89-F	00
8288	89AH	00
8172	89AN	00
1281	1AN	00
828	3AJ	00
833	5-A	00
8308	5AR	00
1152	5AU	00
8417	7AN	00
8175	8-W	00
8537	2AN	00
8388	2AR	00
8797	27-F	00
8305	28-S	00
8327	33-S	00
128	33-W	00
8575	36-F	00
8575	48-F	00
8417	41-S	00
8175	43-W	00

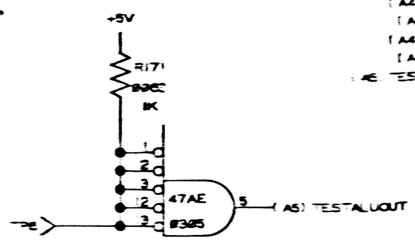


CHART	UNTESTED		TESTED	
	80W	805-12418	805-12411	805-12413
320W	805-12412	805-12414	805-12415	

ARTWORK: 187 387	DRAWN: DIGITIZING 3/26/79	DATA GENERAL CORPORATION SOUTH-BORO MASSACHUSETTS 01772
ARTWORK VS SOEMATIC	CHECKED: B. GLATHORN 3/26/79	
REV. SCHEMATIC REVIS:	ENGINEER: C. RETTER 3/26/79	TITLE: NOVA 4/C
REV. #, 02, 03	APPROVED:	SIZE: D
REV. #, 02, 03	FIRST USER ON: SEE CHART 1	CODE: 00100100204
		DRAWING NUMBER: 00100100204

8 7 6 5 4 3 2 1

D
C
B
A

D
C
B
A

8 7 6 5 4 3 2 1

THIS DRAWING AND SPECIFICATIONS HEREIN ARE THE PROPERTY OF DATA GENERAL CORPORATION AND SHALL NOT BE REPRODUCED OR COPIED OR USED IN WHOLE OR IN PART AS THE BASIS FOR MANUFACTURE OR SALE OF THIS PRODUCT WITHOUT WRITTEN PERMISSION

REVISIONS				
REV	DESCRIPTION	DRAFT	APP BY	DATE

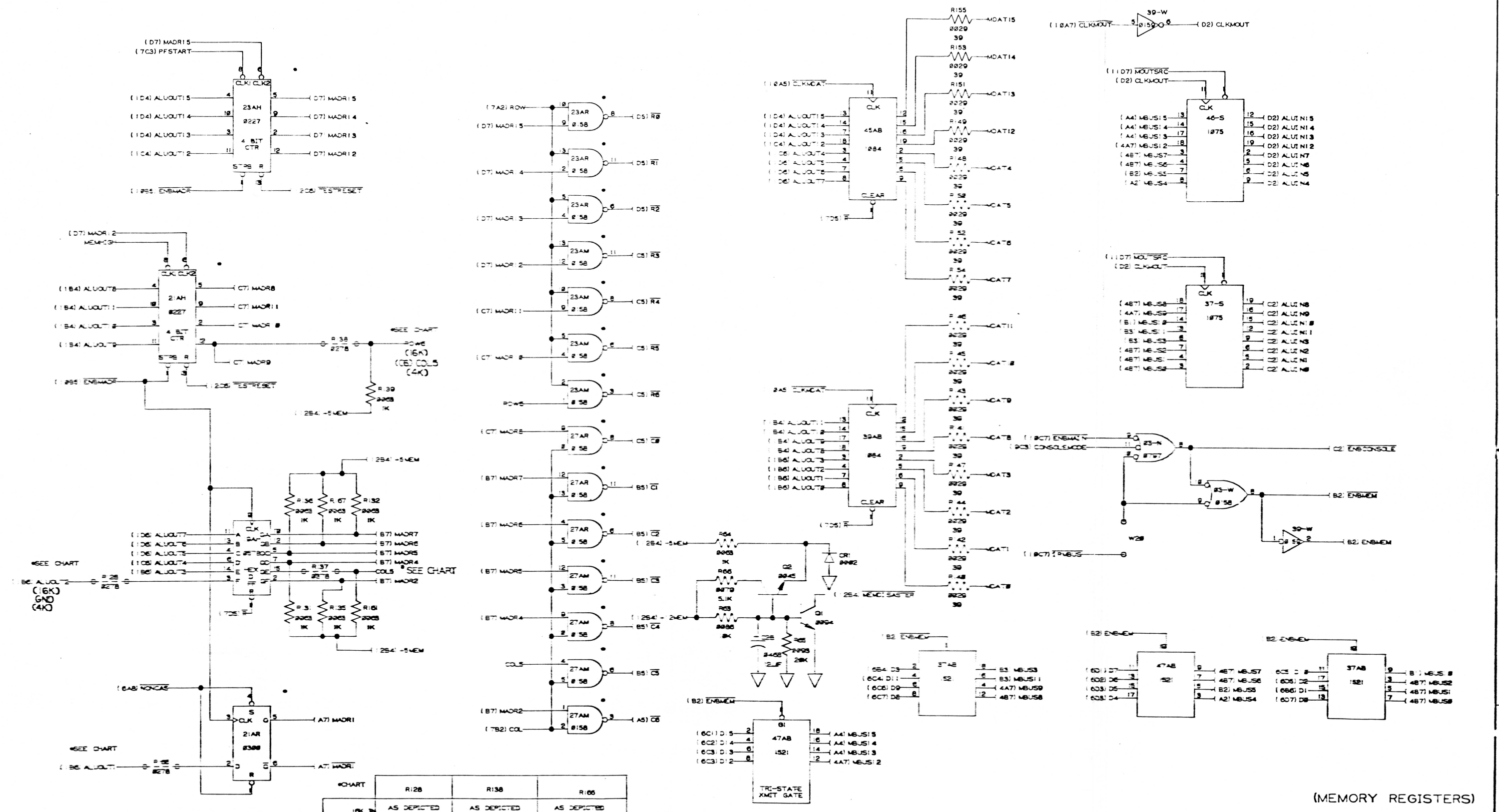
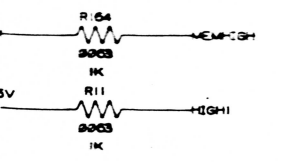


CHART	R128	R138	R166
16K IN	AS DEPICTED	AS DEPICTED	AS DEPICTED
4K IN	REPLACE SIGNAL ALIOUT2 WITH GND	REPLACE SIGNAL ROWE WITH SIGNAL COLS	REPLACE SIGNAL ALIOUT1 WITH SIGNAL ALIOUT3

CHART	R137
16K IN	AS DEPICTED
4K IN	REMOVED



NOTE
ALL ICs MARKED WITH AN
ASTERISK TO USE 5400
SERIES PARTS

(MEMORY REGISTERS)

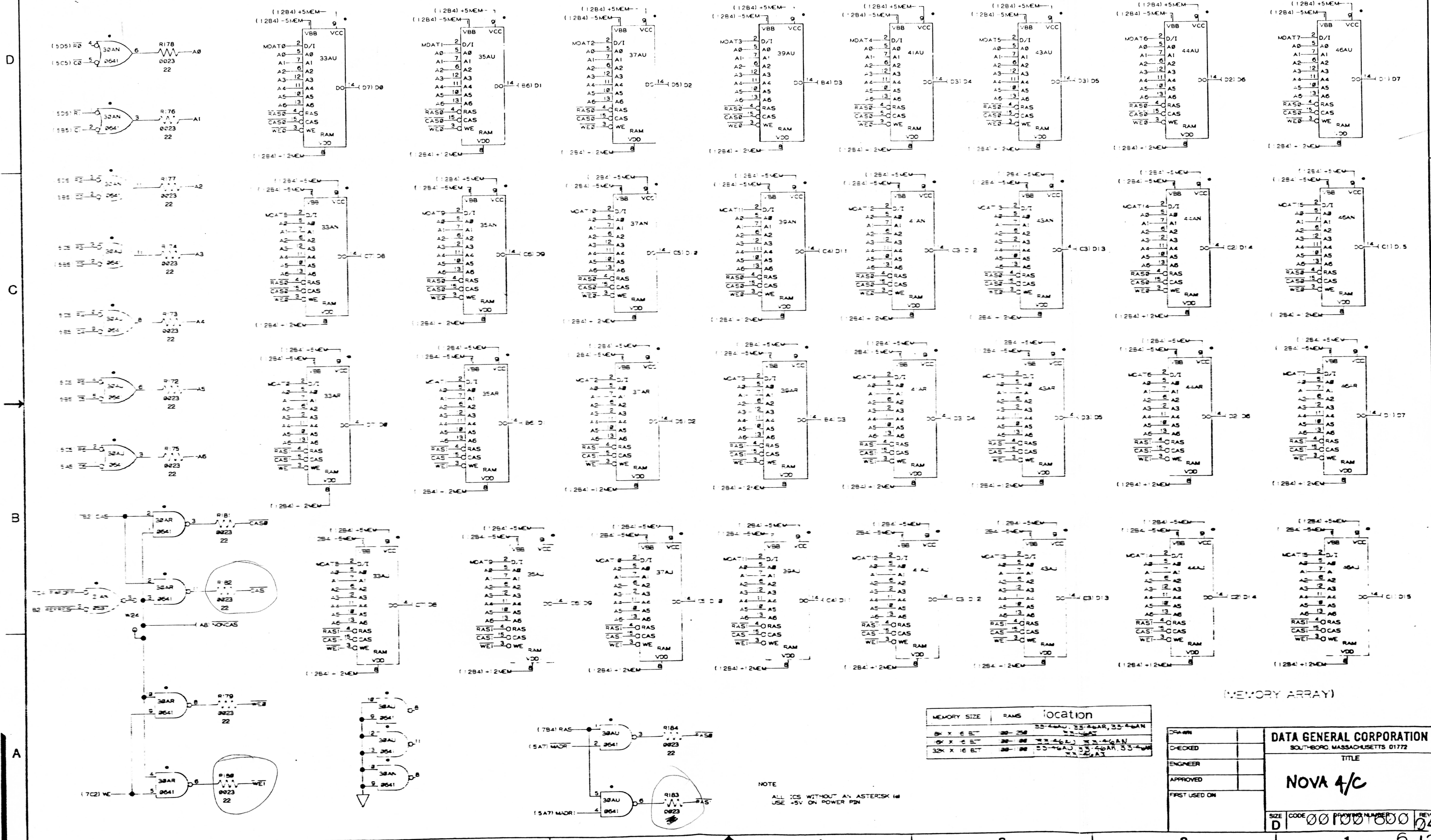
DRAWN CHECKED ENGINEER APPROVED FIRST USED ON	DATA GENERAL CORPORATION SOUTH BORD, MASSACHUSETTS 01772 TITLE NOVA 4c SIZE CODE 001001000 DRAWING NUMBER 04 RE 1
---	---

D
C
U
A

D
C
E

REVISIONS				
REV	DESCRIPTION	DRFTG	APP BY	DATE

THIS DRAWING AND SPECIFICATIONS HEREIN ARE THE PROPERTY OF DATA GENERAL CORPORATION AND SHALL NOT BE REPRODUCED OR COPIED OR USED IN WHOLE OR IN PART AS THE BASIS FOR MANUFACTURE OR SALE OF ITEMS WITHOUT WRITTEN PERMISSION.



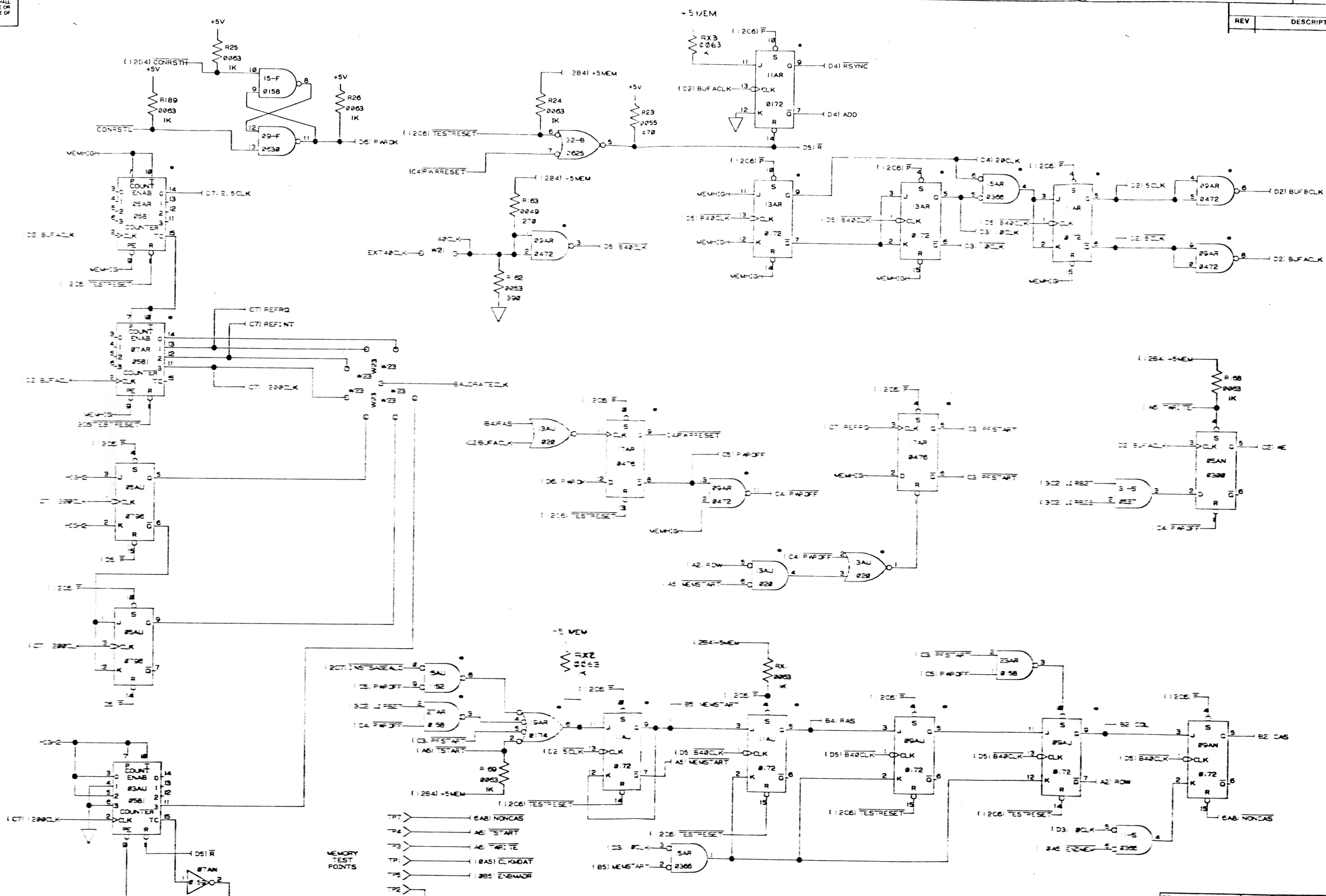
MEMORY SIZE	RAMS	location
8K X 6 BT	256	55-46AU, 55-46AR, 55-46AN
16K X 6 BT	512	55-46AU, 55-46AR, 55-46AN
32K X 6 BT	1024	55-46AU, 55-46AR, 55-46AN

NOTE
ALL ICs WITHOUT AN ASTERISK (*) USE -5V ON POWER PIN

DRAWN		DATA GENERAL CORPORATION SOUTH-BORO, MASSACHUSETTS 01772 TITLE <h2 style="text-align: center;">NOVA 4/C</h2>
CHECKED		
ENGINEER		
APPROVED		
FIRST USED ON		
SIZE	CODE	REV
D	001001000	04

THIS DRAWING AND SPECIFICATIONS HEREIN ARE THE PROPERTY OF DATA GENERAL CORPORATION AND SHALL NOT BE REPRODUCED OR COPIED OR USED IN WHOLE OR IN PART AS THE BASIS FOR MANUFACTURE OR SALE OF ITEMS WITHOUT WRITTEN PERMISSION

REVISIONS			
REV	DESCRIPTION	DRFTG	APP BY DATE

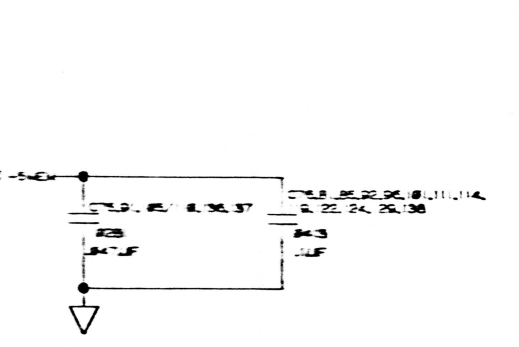
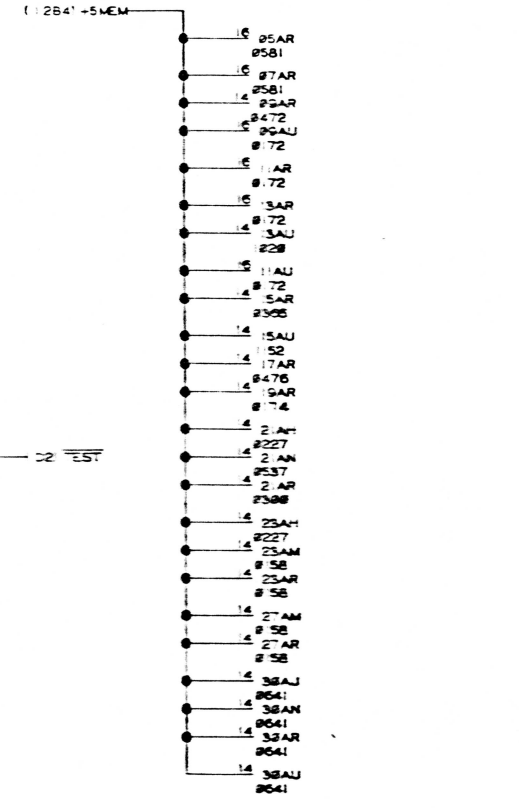
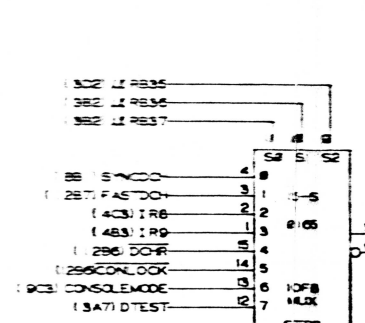
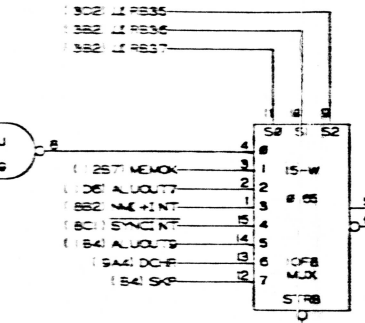
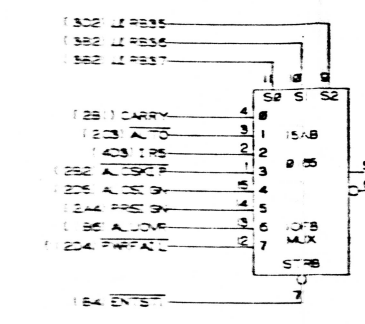
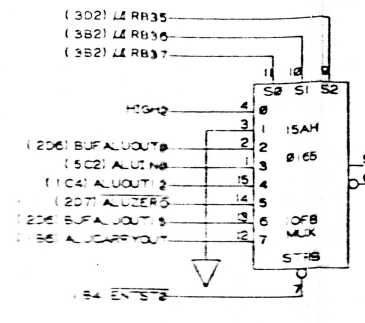
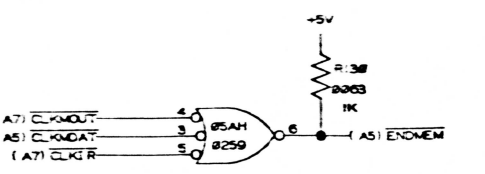
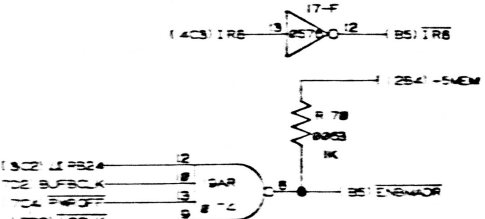
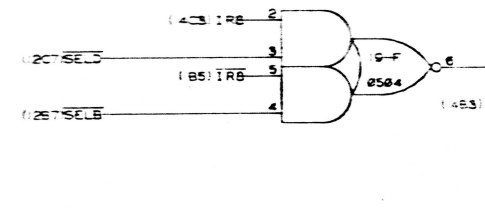
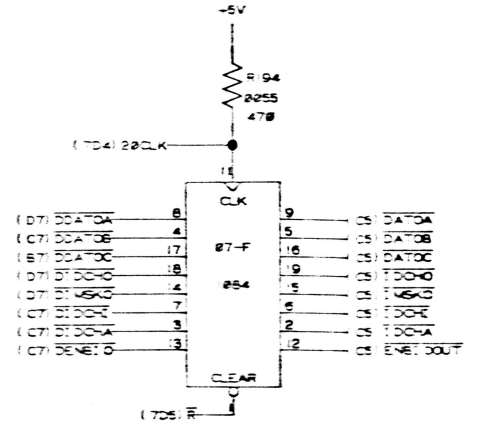
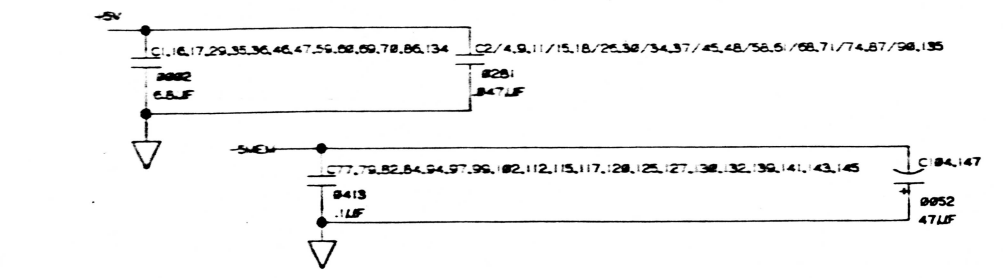
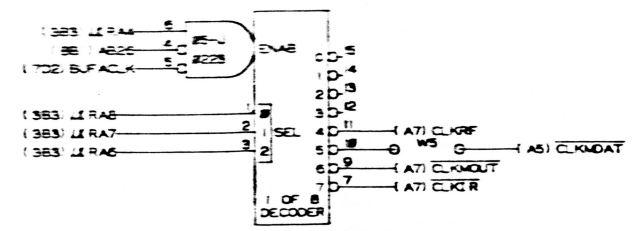
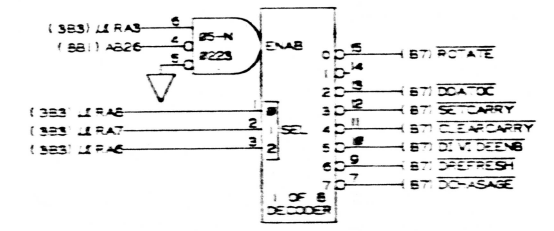
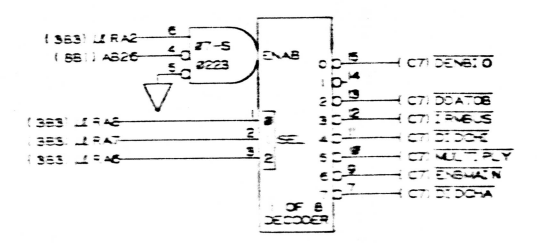
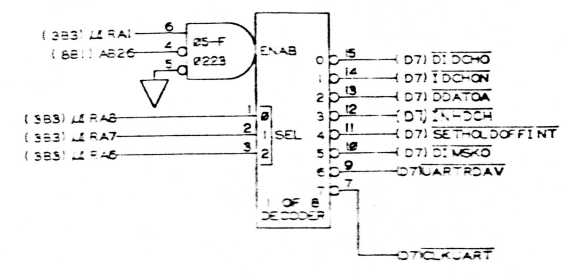


(TIMING)

DRAWN		DATA GENERAL CORPORATION SOUTH BORD, MASSACHUSETTS 01772 TITLE NOVA 4/C SIZE CODE DRAWING NUMBER REV D 00100 600 04
CHECKED		
ENGINEER		
APPROVED		
FIRST USED ON		

THIS DRAWING AND SPECIFICATIONS HEREIN ARE THE PROPERTY OF DATA GENERAL CORPORATION AND SHALL NOT BE REPRODUCED OR COPIED IN WHOLE OR IN PART AS THE BASIS FOR MANUFACTURE OR SALE OF ITEMS WITHOUT WRITTEN PERMISSION.

REVISIONS			
REV	DESCRIPTION	DRFTG	APP BY DATE



(RANDOM DECODERS, TEST MUX)

DRAWN		DATA GENERAL CORPORATION SOUTH-BORO MASSACHUSETTS 01772 TITLE NOVA 4/c
CHECKED		
ENGINEER		
APPROVED		
FIRST USED ON		SIZE CODE DRAWING NUMBER D 001001600 04

THIS DRAWING AND SPECIFICATIONS HEREIN ARE THE PROPERTY OF DATA GENERAL CORPORATION AND SHALL NOT BE REPRODUCED OR COPIED OR USED IN WHOLE OR IN PART AS THE BASIS FOR MANUFACTURE OR SALE OF ITEMS WITHOUT WRITTEN PERMISSION

REV	DESCRIPTION	DRFTG	APP BY	DATE
3				

8	7	6	5	4	3	2	1
A001 O (A4) GND. S	A051 O (BC7) STRT	B001 O (A4) GND. S	B051 O (D4) CONRSTH	B052 O (D4) CONRSTL			
A002 O (A4) GND. S	A052 O (BC7) DATTC	B002 O (A4) GND. S	B052 O (D4) PVRFATL	B053 O (D4) PVRFATL			
A003 O (B4) +5V	A053 O (B4) +5V	B003 O (B4) +5V	B053 O (D4) PVRFATL	B054 O (D4) PVRFATL			
A004 O (B4) +5V	A054 O (B4) +5V	B004 O (B4) +5V	B054 O (D4) PVRFATL	B055 O (D4) PVRFATL			
A005 O	A055 O (B4) +5V	B005 O (B4) +5V	B055 O (D4) PVRFATL	B056 O (D4) PVRFATL			
A006 O	A056 O (B4) +5V	B006 O (B4) +5V	B056 O (D4) PVRFATL	B057 O (D4) PVRFATL			
A007 O	A057 O (B4) +5V	B007 O (B4) +5V	B057 O (D4) PVRFATL	B058 O (D4) PVRFATL			
A008 O	A058 O (B4) +5V	B008 O (B4) +5V	B058 O (D4) PVRFATL	B059 O (D4) PVRFATL			
A009 O (D0) +5V	A059 O (B4) +5V	B009 O (B4) +5V	B059 O (D4) PVRFATL	B060 O (D4) PVRFATL			
A010 O	A060 O (B4) +5V	B010 O (B4) +5V	B060 O (D4) PVRFATL	B061 O (D4) PVRFATL			
A011 O	A061 O (B4) +5V	B011 O (B4) +5V	B061 O (D4) PVRFATL	B062 O (D4) PVRFATL			
A012 O	A062 O (B4) +5V	B012 O (B4) +5V	B062 O (D4) PVRFATL	B063 O (D4) PVRFATL			
A013 O	A063 O (B4) +5V	B013 O (B4) +5V	B063 O (D4) PVRFATL	B064 O (D4) PVRFATL			
A014 O	A064 O (B4) +5V	B014 O (B4) +5V	B064 O (D4) PVRFATL	B065 O (D4) PVRFATL			
A015 O	A065 O (B4) +5V	B015 O (B4) +5V	B065 O (D4) PVRFATL	B066 O (D4) PVRFATL			
A016 O	A066 O (B4) +5V	B016 O (B4) +5V	B066 O (D4) PVRFATL	B067 O (D4) PVRFATL			
A017 O	A067 O (B4) +5V	B017 O (B4) +5V	B067 O (D4) PVRFATL	B068 O (D4) PVRFATL			
A018 O	A068 O (B4) +5V	B018 O (B4) +5V	B068 O (D4) PVRFATL	B069 O (D4) PVRFATL			
A019 O	A069 O (B4) +5V	B019 O (B4) +5V	B069 O (D4) PVRFATL	B070 O (D4) PVRFATL			
A020 O	A070 O (B4) +5V	B020 O (B4) +5V	B070 O (D4) PVRFATL	B071 O (D4) PVRFATL			
A021 O	A071 O (B4) +5V	B021 O (B4) +5V	B071 O (D4) PVRFATL	B072 O (D4) PVRFATL			
A022 O	A072 O (B4) +5V	B022 O (B4) +5V	B072 O (D4) PVRFATL	B073 O (D4) PVRFATL			
A023 O	A073 O (B4) +5V	B023 O (B4) +5V	B073 O (D4) PVRFATL	B074 O (D4) PVRFATL			
A024 O	A074 O (B4) +5V	B024 O (B4) +5V	B074 O (D4) PVRFATL	B075 O (D4) PVRFATL			
A025 O	A075 O (B4) +5V	B025 O (B4) +5V	B075 O (D4) PVRFATL	B076 O (D4) PVRFATL			
A026 O	A076 O (B4) +5V	B026 O (B4) +5V	B076 O (D4) PVRFATL	B077 O (D4) PVRFATL			
A027 O	A077 O (B4) +5V	B027 O (B4) +5V	B077 O (D4) PVRFATL	B078 O (D4) PVRFATL			
A028 O	A078 O (B4) +5V	B028 O (B4) +5V	B078 O (D4) PVRFATL	B079 O (D4) PVRFATL			
A029 O	A079 O (B4) +5V	B029 O (B4) +5V	B079 O (D4) PVRFATL	B080 O (D4) PVRFATL			
A030 O	A080 O (B4) +5V	B030 O (B4) +5V	B080 O (D4) PVRFATL	B081 O (D4) PVRFATL			
A031 O	A081 O (B4) +5V	B031 O (B4) +5V	B081 O (D4) PVRFATL	B082 O (D4) PVRFATL			
A032 O	A082 O (B4) +5V	B032 O (B4) +5V	B082 O (D4) PVRFATL	B083 O (D4) PVRFATL			
A033 O	A083 O (B4) +5V	B033 O (B4) +5V	B083 O (D4) PVRFATL	B084 O (D4) PVRFATL			
A034 O	A084 O (B4) +5V	B034 O (B4) +5V	B084 O (D4) PVRFATL	B085 O (D4) PVRFATL			
A035 O	A085 O (B4) +5V	B035 O (B4) +5V	B085 O (D4) PVRFATL	B086 O (D4) PVRFATL			
A036 O (BEXT) BCLK	A086 O (B4) +5V	B036 O (B4) +5V	B086 O (D4) PVRFATL	B087 O (D4) PVRFATL			
A037 O (BAT) MCK	A087 O (B4) +5V	B037 O (B4) +5V	B087 O (D4) PVRFATL	B088 O (D4) PVRFATL			
A038 O (BAT) MCK	A088 O (B4) +5V	B038 O (B4) +5V	B088 O (D4) PVRFATL	B089 O (D4) PVRFATL			
A039 O (BCT) INTA	A089 O (B4) +5V	B039 O (B4) +5V	B089 O (D4) PVRFATL	B090 O (D4) PVRFATL			
A040 O (BCT) INTA	A090 O (B4) +5V	B040 O (B4) +5V	B090 O (D4) PVRFATL	B091 O (D4) PVRFATL			
A041 O (BCT) DATA	A091 O (B4) +5V	B041 O (B4) +5V	B091 O (D4) PVRFATL	B092 O (D4) PVRFATL			
A042 O (BCT) DATA	A092 O (B4) +5V	B042 O (B4) +5V	B092 O (D4) PVRFATL	B093 O (D4) PVRFATL			
A043 O (BCT) DATA	A093 O (B4) +5V	B043 O (B4) +5V	B093 O (D4) PVRFATL	B094 O (D4) PVRFATL			
A044 O (BCT) DATA	A094 O (B4) +5V	B044 O (B4) +5V	B094 O (D4) PVRFATL	B095 O (D4) PVRFATL			
A045 O (BCT) DATA	A095 O (B4) +5V	B045 O (B4) +5V	B095 O (D4) PVRFATL	B096 O (D4) PVRFATL			
A046 O (BCT) DATA	A096 O (B4) +5V	B046 O (B4) +5V	B096 O (D4) PVRFATL	B097 O (D4) PVRFATL			
A047 O (B4) +5V	A097 O (B4) +5V	B047 O (B4) +5V	B097 O (D4) PVRFATL	B098 O (D4) PVRFATL			
A048 O (B4) +5V	A098 O (B4) +5V	B048 O (B4) +5V	B098 O (D4) PVRFATL	B099 O (D4) PVRFATL			
A049 O (B4) +5V	A099 O (B4) +5V	B049 O (B4) +5V	B099 O (D4) PVRFATL	B100 O (D4) PVRFATL			
A050 O (B4) +5V	A100 O (B4) +5V	B050 O (B4) +5V	B100 O (D4) PVRFATL				



DRAWN	DATA GENERAL CORPORATION
CHECKED	SOL-BORC MASSACHUSETTS 01772
ENGINEER	TITLE
APPROVED	NOVA 4/c
FIRST USED ON	
SIZE D	CODE 00100100004
	DRAWING NUMBER 1
	SHEET 12 of 2