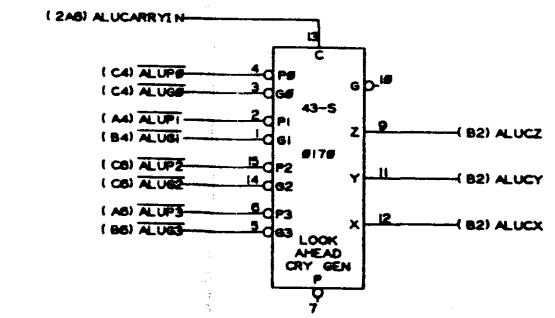
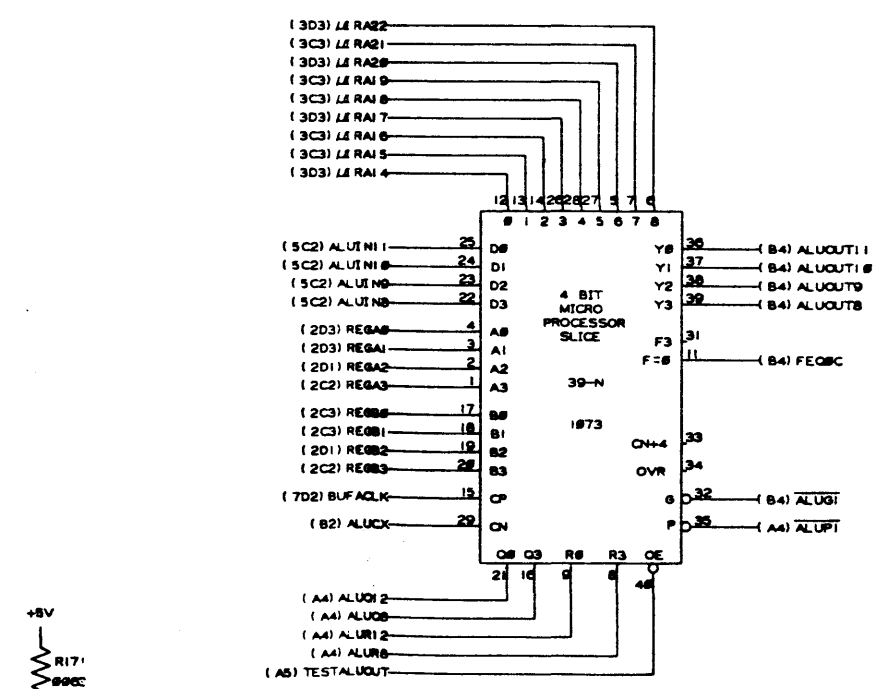
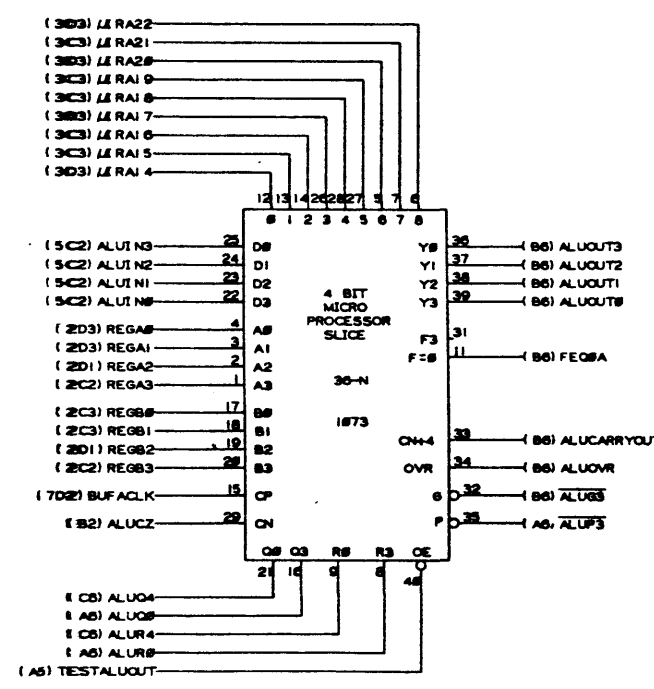
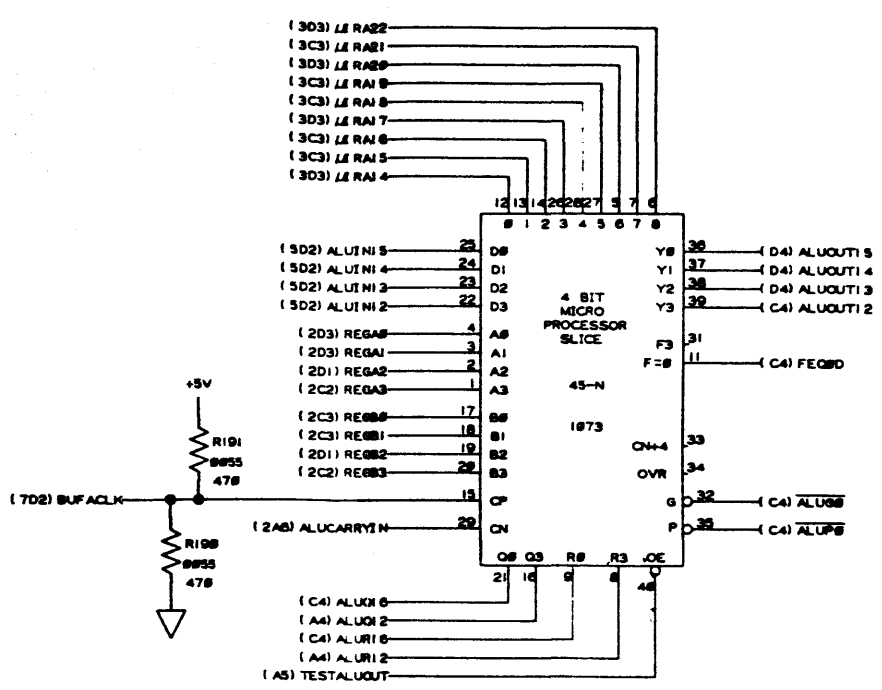
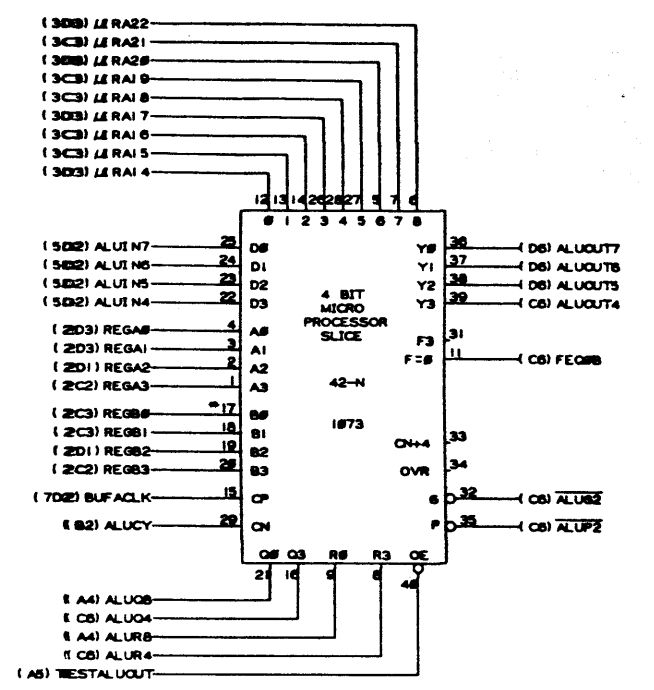


THIS DRAWING AND SPECIFICATIONS HEREIN ARE THE PROPERTY OF DATA GENERAL CORPORATION AND SHALL NOT BE REPRODUCED OR COPIED OR USED IN WHOLE OR IN PART AS THE BASIS FOR MANUFACTURE OR SALE OF SIMILAR UNLESS WRITTEN BY THE COMPANY.

REVISIONS				
REV	DESCRIPTION	DRFTG	APP BY	DATE
00	RLSO PER ECO F835			
01	PER ECO F833	ALC	CPR	3/26/79
02	PER ECO F849	QPS	C-2	6/21/79
03	PER ECO G700	REB	C-2	7/16/79
04	PER ECO G103			



SPARE GATES

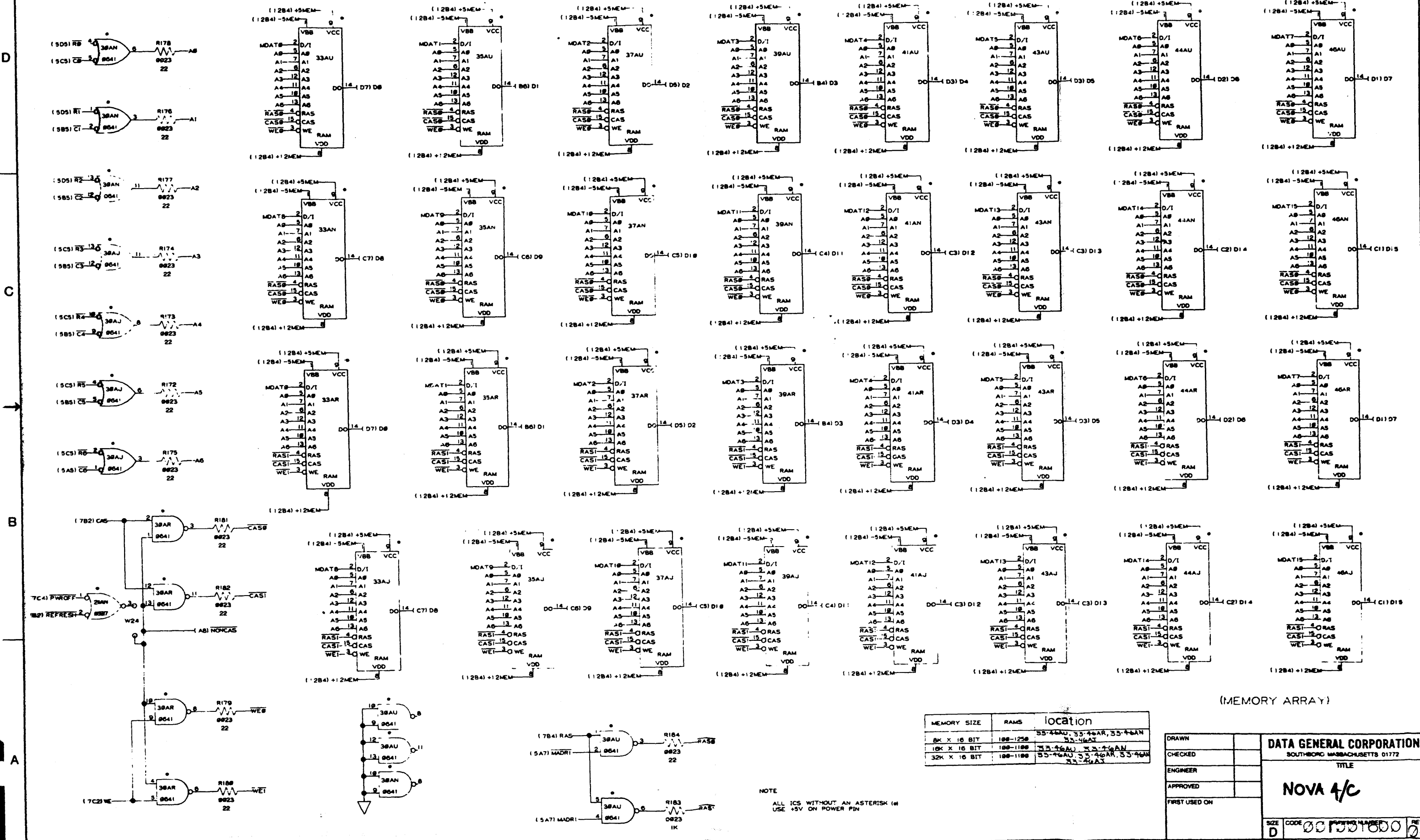
8799	83-J	(1)
8797	83-N	(1)
8305	85-W	(1)
8788	85AB	(1)
1828	87-J	(1)
8190	87AN	(1)
8827	88-B	(1)
8888	88-F	(1)
8288	89AH	(1)
8172	89AN	(1)
1281	11AN	(1)
1828	13AU	(1)
8133	15-N	(1)
8300	15AR	(1)
1152	15AU	(1)
8417	17AN	(1)
8175	19-W	(1)
8537	21AN	(1)
8388	21AR	(1)
8797	27-F	(1)
8305	29-S	(1)
8327	33-S	(1)
1238	33-W	(1)
8578	38-F	(1)
8575	48-F	(1)
8417	41-S	(1)
8175	43-W	(1)

CHART	UNTESTED	TESTED
8KW	895-12418	895-12411
18KW	895-12412	895-12413
32KW	895-12414	895-12415

ARTWORK: 187 1387	DRAWN DIGITIZING 3-26-79	DATA GENERAL CORPORATION SOUTHBORO MASSACHUSETTS 01112
ARTWORK VS SCHEMATIC	CHECKED B. GLATHORN 3-26-79	
REV SCHEMATIC REVISE	ENGINEER C. RETTER 3-26-79	TITLE NOVA 4/C
88, 89, 91, 92, 93	APPROVED	FIRST USER ON SEE CHART 1
		SIZE CODE D 00100100204

THIS DRAWING AND SPECIFICATIONS HEREIN ARE THE PROPERTY OF DATA GENERAL CORPORATION AND SHALL NOT BE REPRODUCED OR COPIED IN WHOLE OR IN PART AS THE BASIS FOR CONSTRUCTION OR SALE OF ITEMS WITHOUT WRITTEN PERMISSION.

REVISIONS				
REV	DESCRIPTION	DRFTG	APP BY	DATE



MEMORY SIZE	RAMS	location
8K X 16 BIT	100-1250	33-46AU, 33-46AR, 33-46AN
16K X 16 BIT	100-1100	33-46AT
32K X 16 BIT	100-1100	33-46AU, 33-46AR, 33-46AN

DRAWN	CHECKED	ENGINEER	APPROVED	FIRST USED ON

DATA GENERAL CORPORATION
SOUTHBORO MASSACHUSETTS 01772

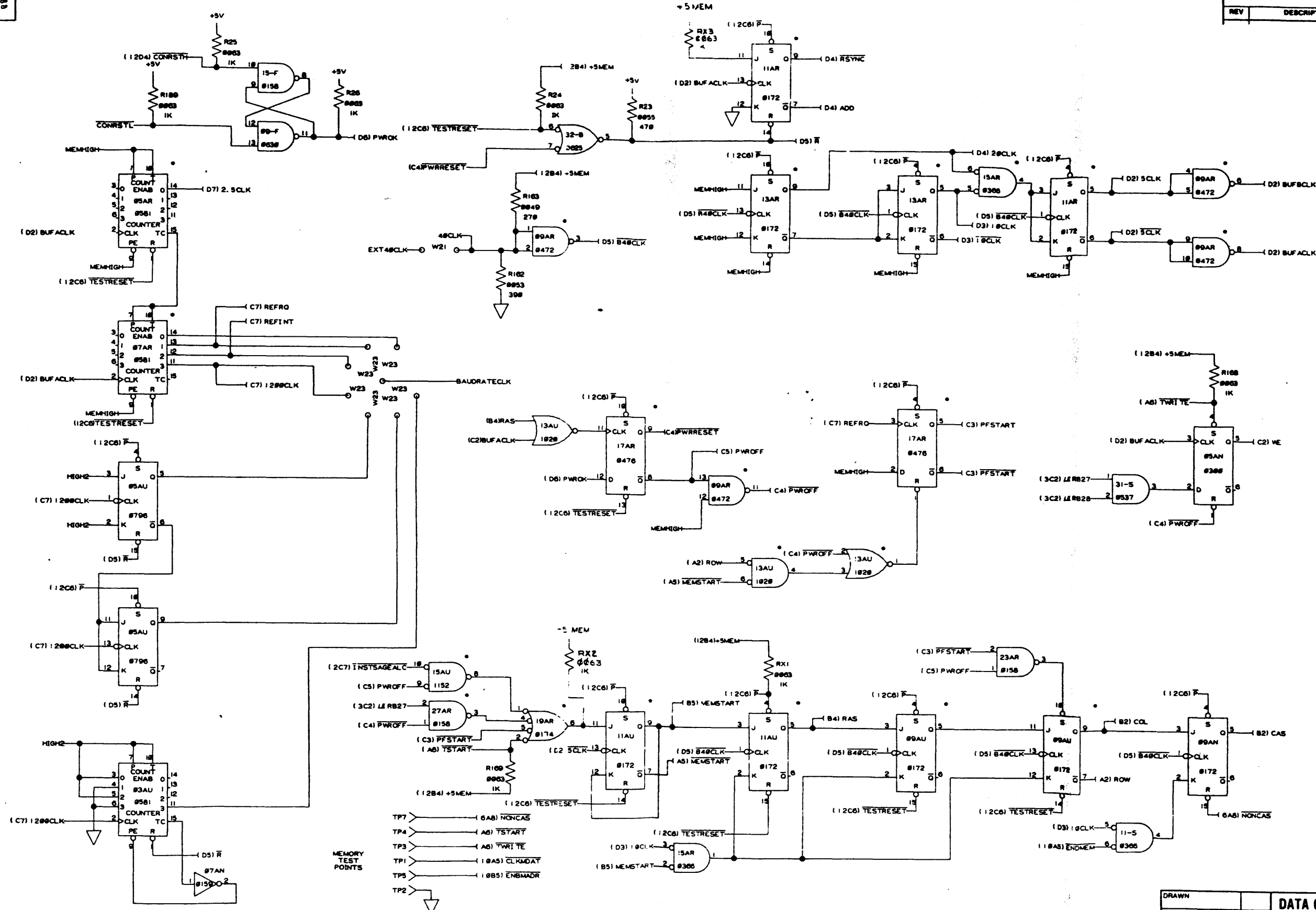
NOVA 4/c

SIZE CODE 001531800 REV 04

NOTE
ALL IC'S WITHOUT AN ASTERISK (*) USE +5V ON POWER PIN

THIS DRAWING SPECIFICATIONS HEREIN ARE THE PROPERTY OF BUSH-BAL CORPORATION AND SHALL NOT BE REPRODUCED OR COPIED OR USED IN WHOLE OR IN PART AS THE BASIS FOR MANUFACTURE OR SALE OF ITEMS WITHOUT WRITTEN PERMISSION.

REVISIONS				
REV	DESCRIPTION	DRFTG	APP BY	DATE



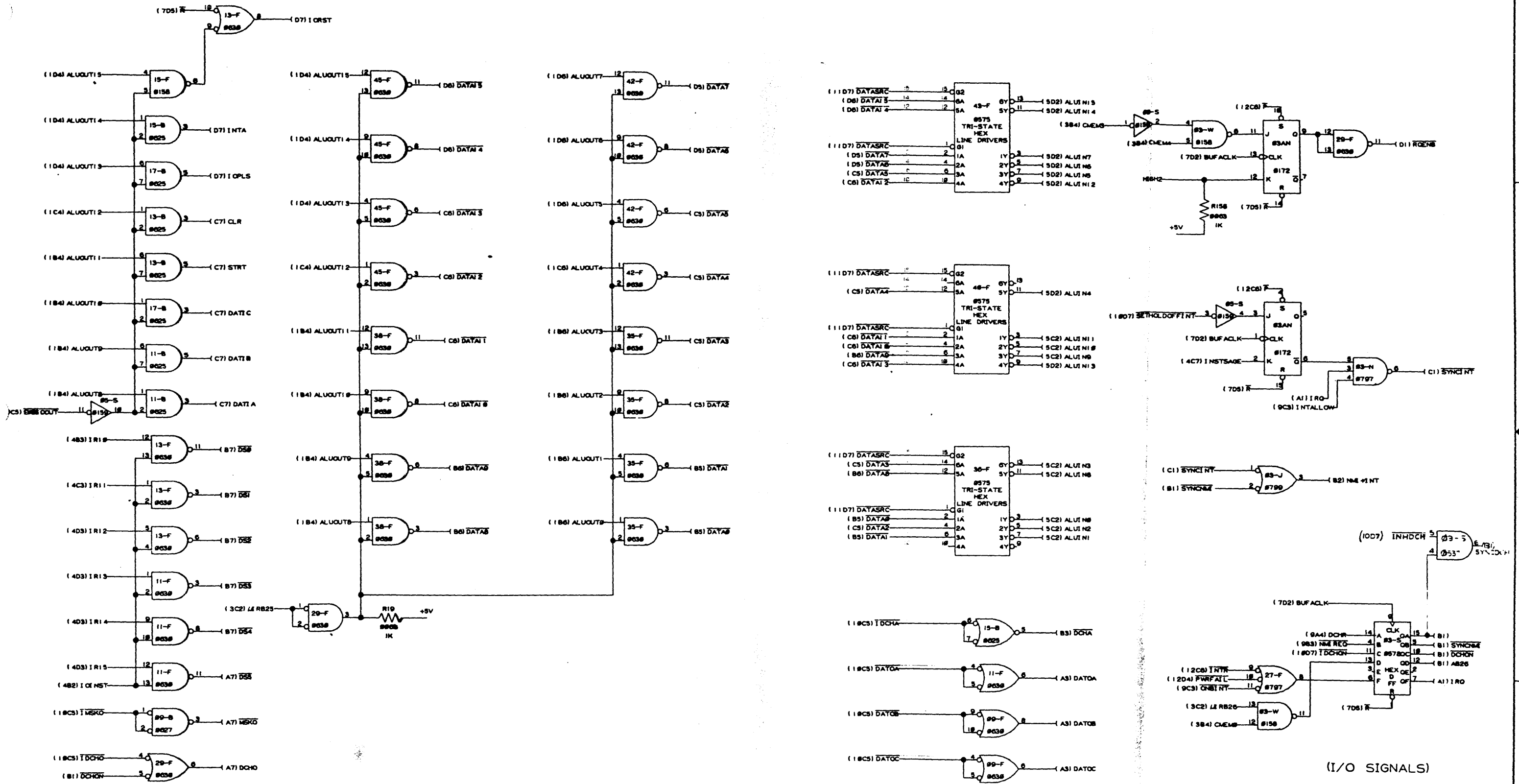
- MEMORY TEST POINTS
- TP7 --- (6A8) NONCAS
 - TP4 --- (A6) TSTART
 - TP3 --- (A6) TWRITE
 - TP1 --- (A6) CLKMDAT
 - TP5 --- (6B5) ENBMADR
 - TP2 ---

(TIMING)

DRAWN		DATA GENERAL CORPORATION SOUTHBORO, MASSACHUSETTS 01772 TITLE NOVA 4/C SIZE CODE DRAWING NUMBER REV D 00100 600 04
CHECKED		
ENGINEER		
APPROVED		
FIRST USED ON		

THIS DRAWING AND SPECIFICATIONS HEREIN ARE THE PROPERTY OF DATA GENERAL CORPORATION AND SHALL NOT BE REPRODUCED, COPIED OR USED IN WHOLE OR IN PART AS THE BASIS FOR MANUFACTURE OR SALE OF ITEMS WITHOUT THE WRITTEN PERMISSION

REVISIONS			
REV	DESCRIPTION	DRFTG	APP BY DATE



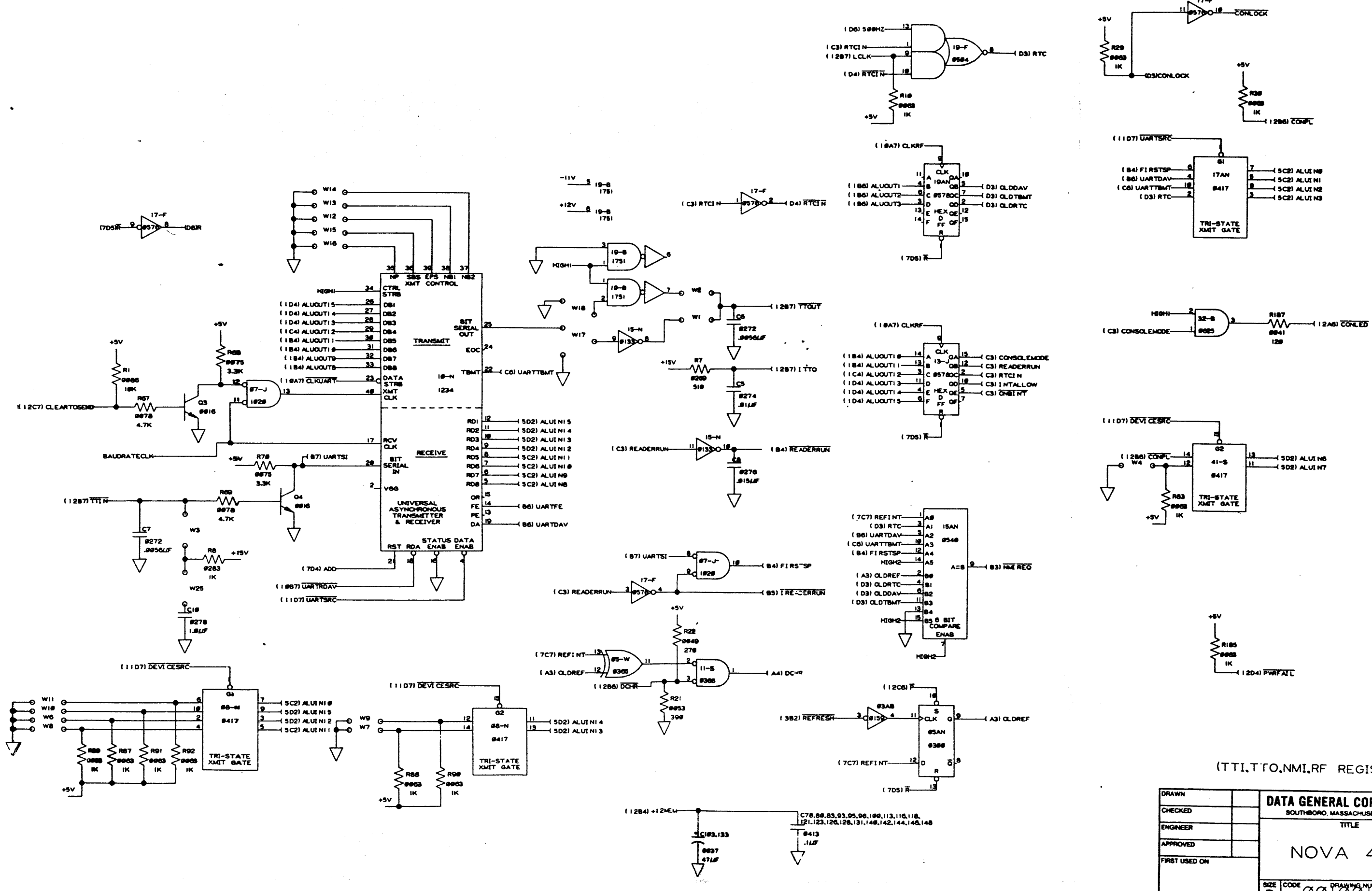
(I/O SIGNALS)

DRAWN		DATA GENERAL CORPORATION	
CHECKED		SOUTHBORO, MASSACHUSETTS 01772	
ENGINEER		TITLE	
APPROVED		NOVA 4/c	
FIRST USED ON		SIZE	CODE
		D	0010016000
			REV
			04
		SHEET	8 of 12

ALL DRAWINGS AND SPECIFICATIONS HEREIN ARE THE PROPERTY OF DATA GENERAL CORPORATION AND SHALL NOT BE REPRODUCED OR COPIED OR USED IN WHOLE OR IN PART AS THE BASIS FOR MANUFACTURE OR SALE OF ITEMS WITHOUT WRITTEN PERMISSION.

REVISIONS				
REV	DESCRIPTION	DRFTG	APP BY	DATE

D
C
B
A

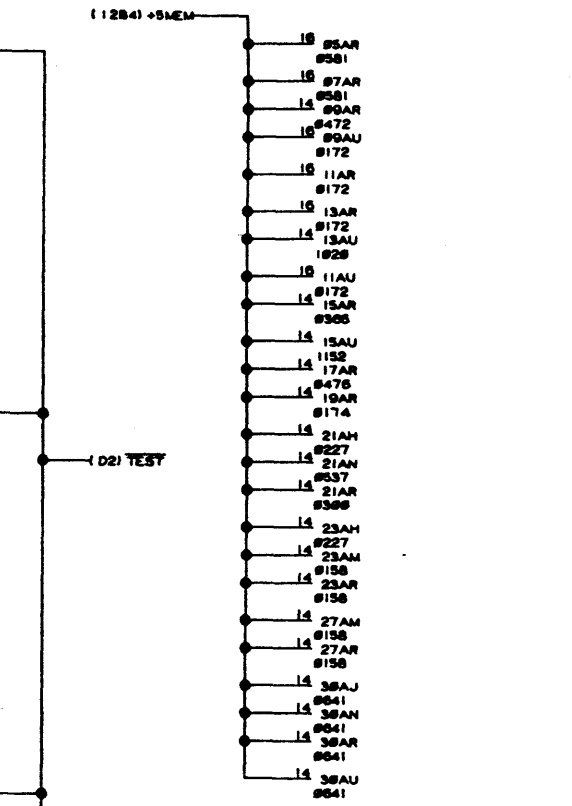
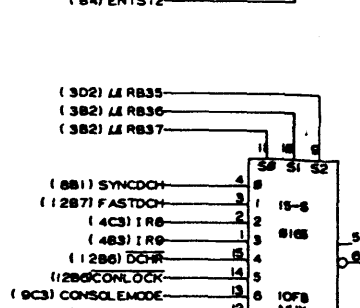
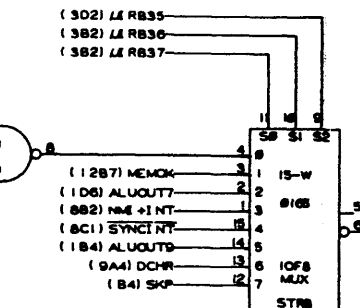
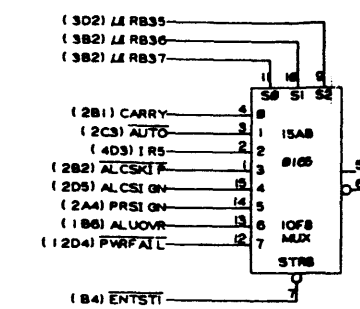
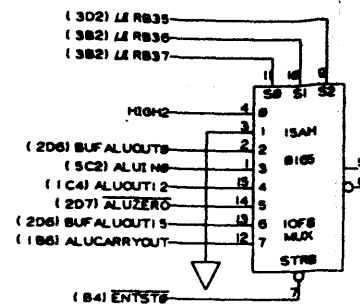
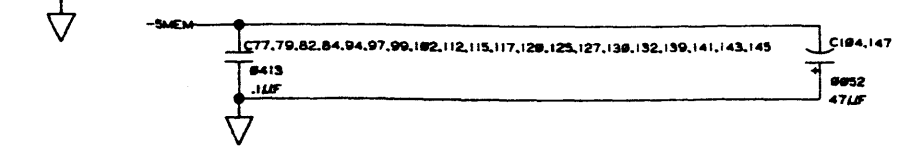
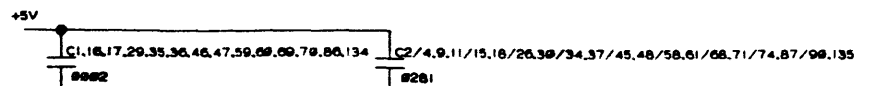
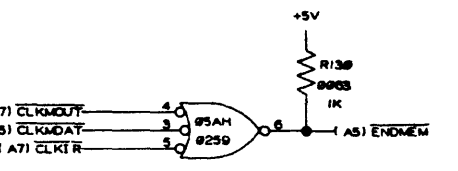
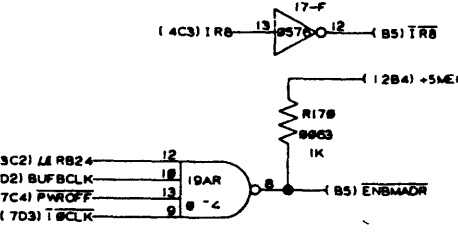
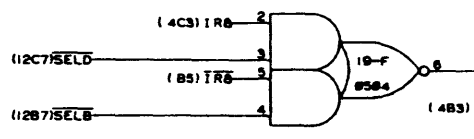
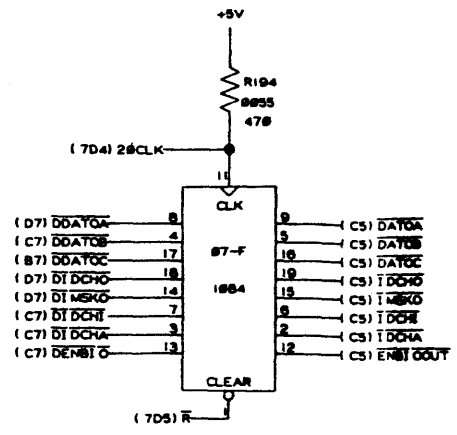
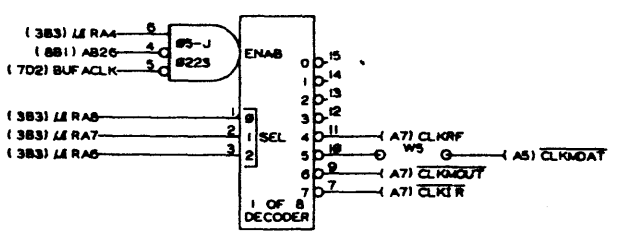
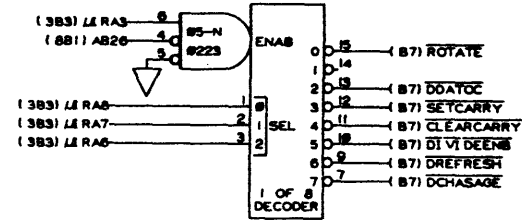
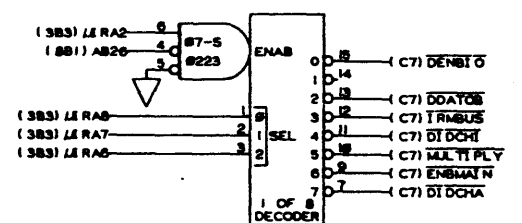
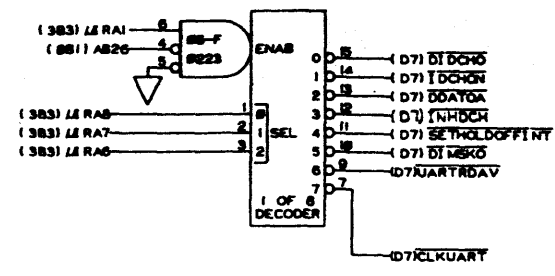


(TTI, TTO, NMI, RF REGISTER)

DRAWN		DATA GENERAL CORPORATION SOUTH BORO, MASSACHUSETTS 01772 TITLE NOVA 4/C
CHECKED		
ENGINEER		
APPROVED		
FIRST USED ON		
SIZE	D	CODE 001001600 DRAWING NUMBER 04 REV. 04

THIS DRAWING AND SPECIFICATIONS HEREBY ARE THE PROPERTY OF DATA GENERAL CORPORATION AND SHALL NOT BE REPRODUCED OR COPIED OR USED IN WHOLE OR IN PART AS THE BASIS FOR MANUFACTURE OR SALE OF ITEMS WITHOUT WRITTEN PERMISSION

REVISIONS			
REV	DESCRIPTION	DRFTG	APP BY DATE



(RANDOM DECODERS, TEST MUX)

DRAWN		DATA GENERAL CORPORATION SOUTHBORO, MASSACHUSETTS 01772 TITLE NOVA 4/c SIZE CODE DRAWING NUMBER D 001001600 04
CHECKED		
ENGINEER		
APPROVED		
FIRST USED ON		

8

7

6

5

4

3

2

1

THIS DRAWING SPECIFICATIONS, HEREIN ARE THE PROPERTY OF DATA GENERAL CORPORATION AND SHALL NOT BE REPRODUCED OR COPIED OR USED IN WHOLE OR IN PART AS THE BASIS FOR MANUFACTURE OR SALE OF ITEMS WITHOUT WRITTEN PERMISSION

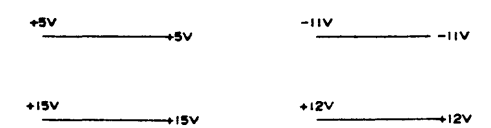
REV	DESCRIPTION	DRAFTG	APP BY	DATE

- A891 O (A4) GND. S
- A892 O (A4) GND. S
- A893 O (B4) +5V
- A894 O (B4) +5V
- A895 O
- A896 O
- A897 O
- A898 O
- A899 O
- A900 O (D8) +15V
- A901 O
- A902 O
- A903 O
- A904 O
- A905 O
- A906 O
- A907 O
- A908 O
- A909 O
- A910 O
- A911 O
- A912 O
- A913 O
- A914 O
- A915 O
- A916 O
- A917 O
- A918 O
- A919 O
- A920 O
- A921 O
- A922 O
- A923 O
- A924 O
- A925 O
- A926 O
- A927 O
- A928 O
- A929 O
- A930 O
- A931 O
- A932 O
- A933 O
- A934 O
- A935 O
- A936 O (B4) EXT. CLK
- A937 O
- A938 O (B4) MEMO
- A939 O
- A940 O (B07) INTA
- A941 O
- A942 O (B07) DATA B
- A943 O
- A944 O (B07) DATA A
- A945 O
- A946 O (B07) DS3
- A947 O
- A948 O (B03) DATOC
- A949 O
- A950 O (B07) CLR

- A951 O
- A952 O (B07) STRT
- A953 O
- A954 O (B07) DATI C
- A955 O
- A956 O (B03) DATOB
- A957 O
- A958 O (B03) DATOA
- A959 O
- A960 O (B03) DCHA
- A961 O
- A962 O (B07) DS4
- A963 O
- A964 O (B07) DS5
- A965 O
- A966 O (B07) DS2
- A967 O
- A968 O (B07) DS1
- A969 O
- A970 O (B07) CRST
- A971 O
- A972 O (B07) DS6
- A973 O
- A974 O (B07) I OPLS
- A975 O
- A976 O
- A977 O
- A978 O
- A979 O
- A980 O (C7) SEL0
- A981 O (C7) CLEAR TO SEND
- A982 O (B7) SELB
- A983 O (B7) I TTD
- A984 O
- A985 O (B7) TTOUT
- A986 O
- A987 O
- A988 O (B7) LCLK
- A989 O (B04) READERRUN
- A990 O (B06) 500KHZ
- A991 O
- A992 O
- A993 O
- A994 O (B7) TTIN
- A995 O (B7) FASTDCH
- A996 O (B7) MEMOK
- A997 O (B4) +5V
- A998 O (B4) +5V
- A999 O (A4) GND. S
- A1000 O (A4) GND. S

- B001 O (A4) GND. S
- B002 O (A4) GND. S
- B003 O (B4) +5V
- B004 O (B4) +5V
- B005 O
- B006 O
- B007 O
- B008 O
- B009 O
- B010 O
- B011 O
- B012 O
- B013 O
- B014 O
- B015 O
- B016 O
- B017 O (C6) DCHMB
- B018 O
- B019 O
- B020 O
- B021 O
- B022 O
- B023 O (C6) TESTRESET
- B024 O
- B025 O (C6) F
- B026 O
- B027 O
- B028 O
- B029 O (C6) INTR
- B030 O
- B031 O
- B032 O
- B033 O (B07) DCHO
- B034 O
- B035 O (B6) DCR
- B036 O
- B037 O (B07) DCHI
- B038 O
- B039 O
- B040 O (B03) CONLOCK
- B041 O (B01) RCENB
- B042 O
- B043 O
- B044 O
- B045 O
- B046 O
- B047 O
- B048 O (B6) CONPL
- B049 O (A6) CONLED
- B050 O

- B051 O (D4) CONRSTH
- B052 O (D4) CONRSTL
- B053 O
- B054 O (D4) FWRFAL
- B055 O (B05) DATA7
- B056 O (B06) DATA4
- B057 O (B03) DATA5
- B058 O (B06) DATA1
- B059 O (B06) DATA2
- B060 O (B06) DATA3
- B061 O (B03) DATA4
- B062 O (B05) DATA6
- B063 O (B06) DATA9
- B064 O (B06) DATA3
- B065 O (B05) DATA1
- B066 O (B06) DATA5
- B067 O
- B068 O
- B069 O
- B070 O (B4) +12MEM
- B071 O (B4) +12MEM
- B072 O (B4) +12MEM
- B073 O (B03) DATA5
- B074 O
- B075 O (B06) DATA8
- B076 O
- B077 O (C7) -11V
- B078 O
- B079 O (D08) PWROK
- B080 O
- B081 O
- B082 O (B03) DATA2
- B083 O
- B084 O
- B085 O
- B086 O
- B087 O (B4) +12V
- B088 O (B4) +12V
- B089 O
- B090 O (B4) +12V
- B091 O (B4) -5MEM
- B092 O
- B093 O (B4) +5MEM
- B094 O (B4) +5MEM
- B095 O (B05) DATA6
- B096 O (B4) MEMDI SASTER
- B097 O (B4) +5V
- B098 O (B4) +5V
- B099 O (A4) GND. S
- B100 O (A4) GND. S



DRAWN		DATA GENERAL CORPORATION SOUTH BORO, MASSACHUSETTS 01772 TITLE <h1>NOVA 4/C</h1>
CHECKED		
ENGINEER		
APPROVED		
FIRST USED ON		
SIZE	CODE	DRAWING NUMBER
D		001000000

1 SHEET 12 of 2

8

7

6

5

3

2

1