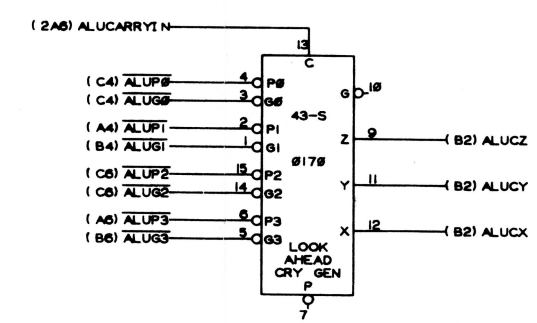
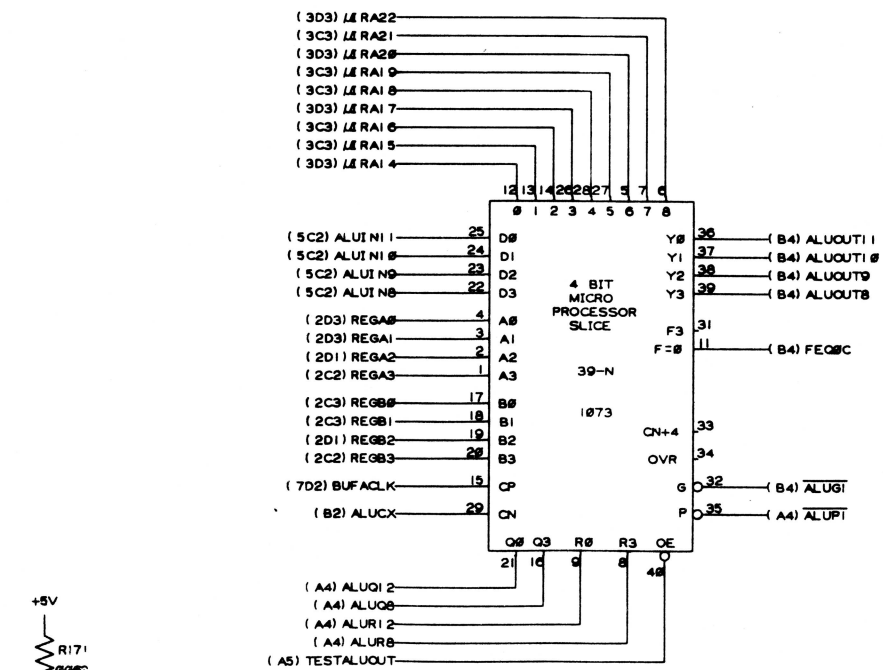
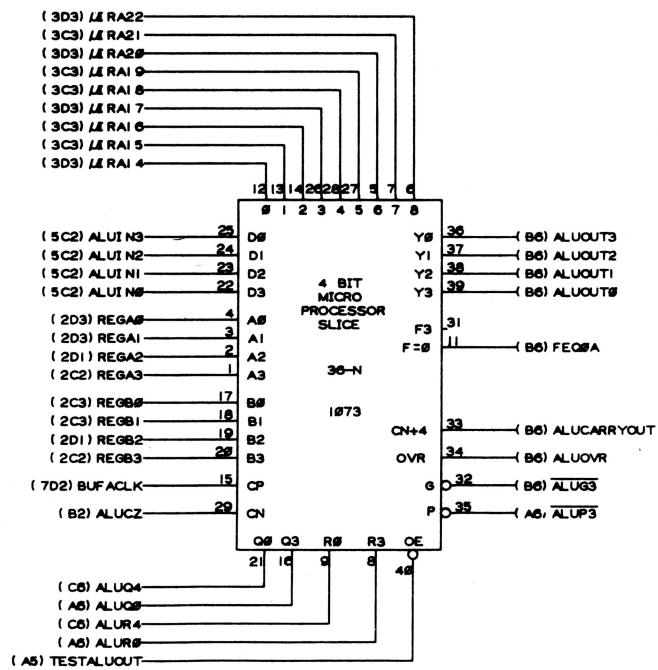
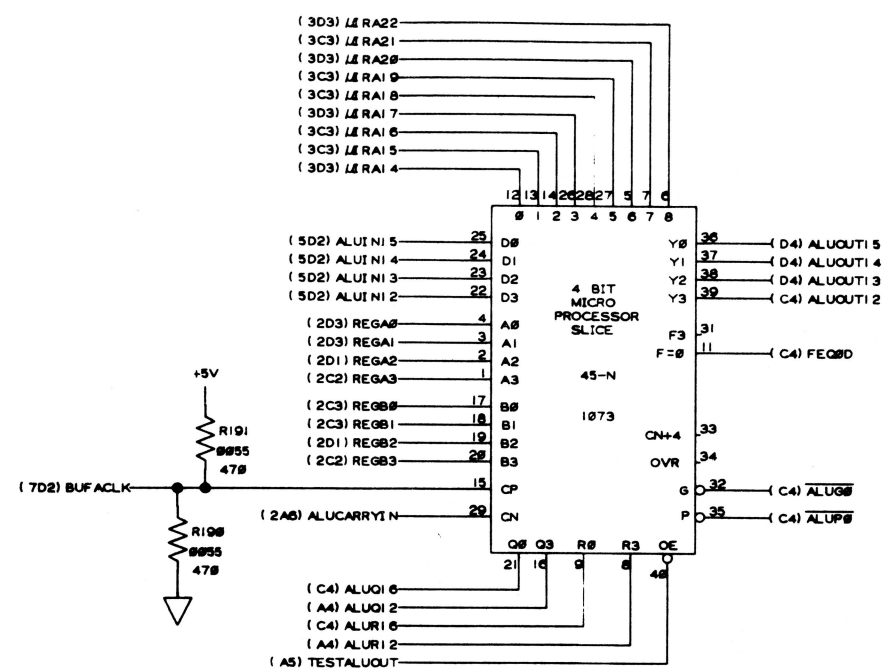
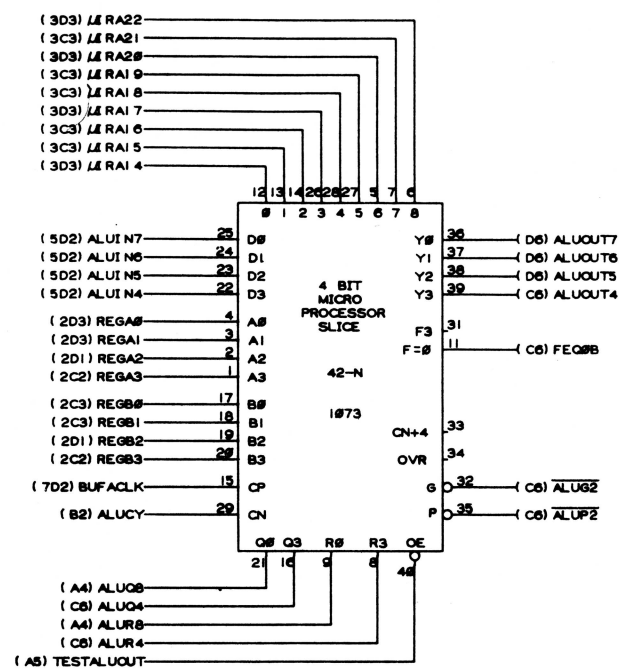


THIS DRAWING AND SPECIFICATIONS HEREIN ARE THE PROPERTY OF DATA GENERAL CORPORATION AND SHALL NOT BE REPRODUCED OR COPIED OR USED IN WHOLE OR IN PART AS THE BASIS FOR MANUFACTURE OR SALE OF ITEMS WITHOUT WRITTEN PERMISSION

| REVISIONS | | | | |
|-----------|-------------------|-------|--------|---------|
| REV | DESCRIPTION | DRFTG | APP BY | DATE |
| 00 | RLSD PER ECO F835 | | | 3/77 |
| 01 | PER ECO F833 | WLB | CPR | 3/26/77 |
| 02 | PER ECO F839 | REB | CPR | 6/21/77 |
| 03 | PER ECO G700 | REB | CPR | 7/18/77 |
| 04 | PER ECO G703 | | | 7/27 |



SPARE GATES

| | | |
|------|------|-----|
| 0700 | 03-J | (2) |
| 0707 | 03-N | (1) |
| 0305 | 05-W | (1) |
| 0700 | 05AB | (1) |
| 0820 | 07-J | (2) |
| 0150 | 07AN | (3) |
| 0027 | 09-S | (1) |
| 0030 | 09-F | (1) |
| 0200 | 09AH | (2) |
| 0172 | 09AN | (1) |
| 1201 | 11AN | (1) |
| 0820 | 13AU | (2) |
| 0133 | 15-N | (2) |
| 0305 | 15AR | (2) |
| 1152 | 15AU | (3) |
| 0417 | 17AN | (2) |
| 0175 | 19-W | (1) |
| 0537 | 21AN | (3) |
| 0300 | 21AR | (1) |
| 0707 | 27-F | (1) |
| 0305 | 29-S | (2) |
| 0327 | 33-S | (1) |
| 1230 | 33-W | (1) |
| 0575 | 36-F | (1) |
| 0575 | 40-F | (1) |
| 0417 | 41-S | (1) |
| 0175 | 43-W | (1) |

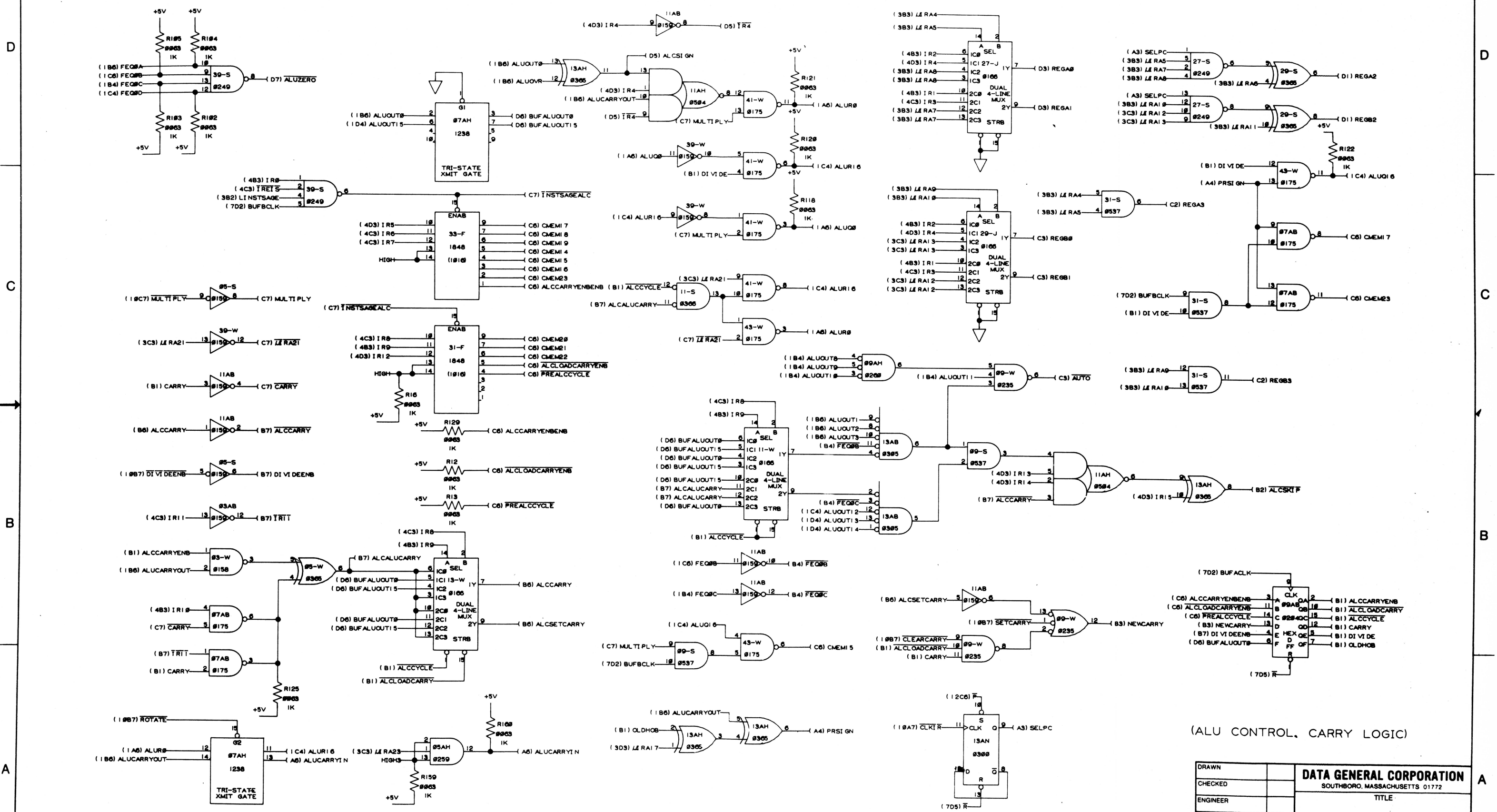
CHART 1

| | UNTESTED | TESTED |
|------|-----------|-----------|
| 8KW | 005-12410 | 005-12411 |
| 10KW | 005-12412 | 005-12413 |
| 32KW | 005-12414 | 005-12415 |

| | | |
|----------------------|-------------------------------------|--|
| ARTWORK: 107 1307 | DRAWN: DIGITIZING 3-26-79 | DATA GENERAL CORPORATION SOUTHBORO, MASSACHUSETTS 01772 |
| ARTWORK VS SCHEMATIC | CHECKED: B. GLATHORN 3-26-79 | |
| REV SCHEMATIC REV(S) | ENGINEER: C. REITER 3-26-79 | TITLE |
| 00 00, 01, 02, 03 | APPROVED: | NOVA 4/C |
| FIRST USER: ON | SEE CHART 1 | SIZE CODE: 001001600004 |
| | | DRAWING NUMBER: 001001600004 |

THIS DRAWING AND SPECIFICATIONS HEREBY ARE THE PROPERTY OF DATA GENERAL CORPORATION AND SHALL NOT BE REPRODUCED OR COPIED OR USED IN WHOLE OR IN PART AS THE BASIS FOR MANUFACTURE OR SALE OF ITEMS WITHOUT WRITTEN PERMISSION.

| REVISIONS | | | |
|-----------|-------------|-------|-------------|
| REV | DESCRIPTION | DRFTD | APP BY DATE |
| | | | |



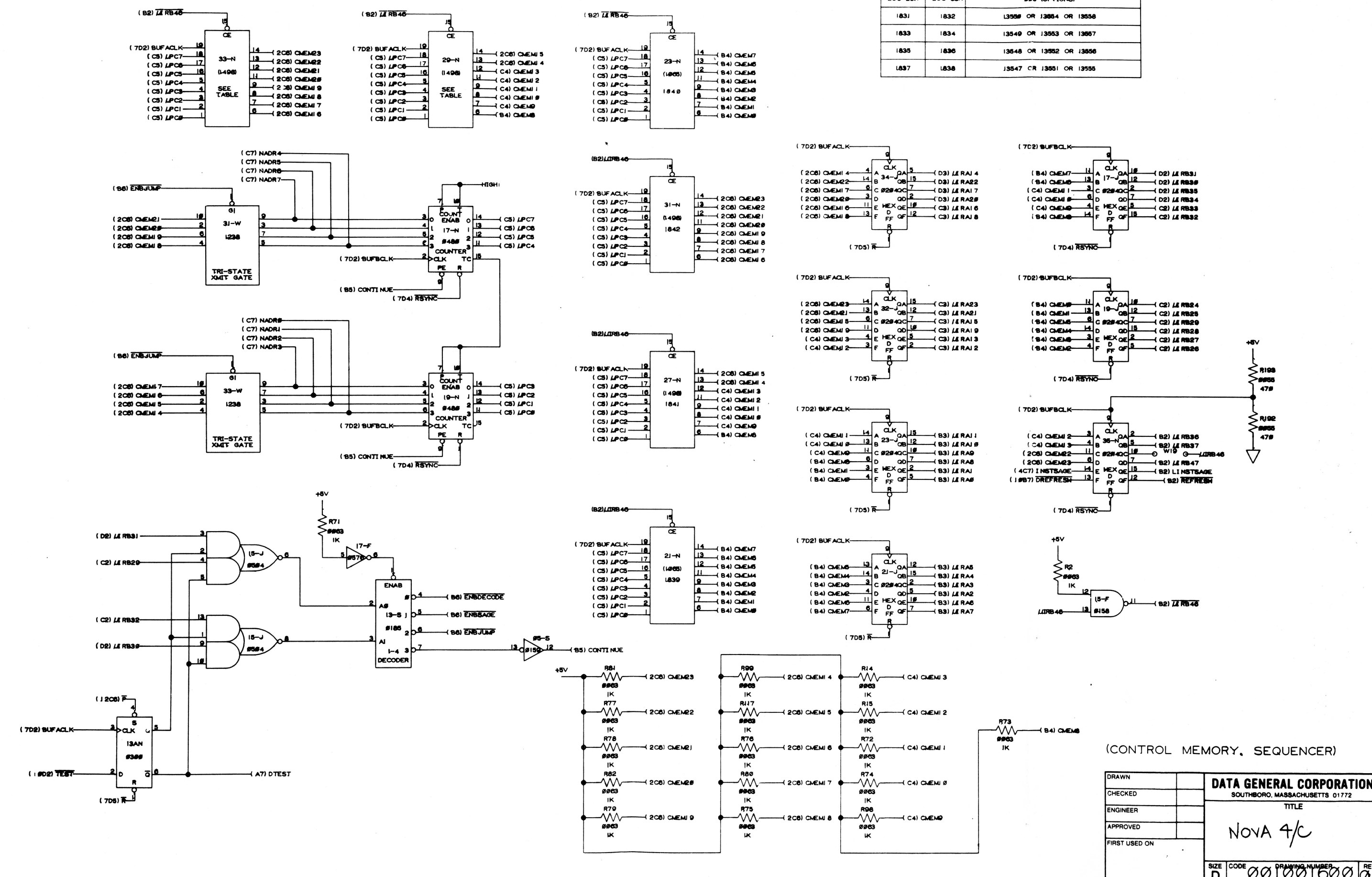
(ALU CONTROL, CARRY LOGIC)

| | | | |
|---------------|---|---|-------------|
| DRAWN | | DATA GENERAL CORPORATION SOUTHBORO, MASSACHUSETTS 01772 TITLE NOVA 4/C | |
| CHECKED | | | |
| ENGINEER | | | |
| APPROVED | | | |
| FIRST USED ON | | | |
| SIZE | D | DRAWING NUMBER | 00100160004 |
| REV | | REV | |

THIS DRAWING AND SPECIFICATIONS HEREIN ARE THE PROPERTY OF DATA GENERAL CORPORATION AND SHALL NOT BE REPRODUCED OR COPIED OR USED IN WHOLE OR IN PART AS THE BASIS FOR MANUFACTURE OR SALE OF ITEMS WITHOUT WRITTEN PERMISSION

| REVISIONS | | | | |
|-----------|-------------|-------|--------|------|
| REV | DESCRIPTION | DRFTG | APP BY | DATE |
| | | | | |

| LOC 29N | LOC 33N | ##5-(OPTIONS) |
|---------|---------|-------------------------|
| 1831 | 1832 | 13558 OR 13884 OR 13558 |
| 1833 | 1834 | 13549 OR 13553 OR 13887 |
| 1835 | 1836 | 13548 OR 13552 OR 13886 |
| 1837 | 1838 | 13547 OR 13551 OR 13555 |



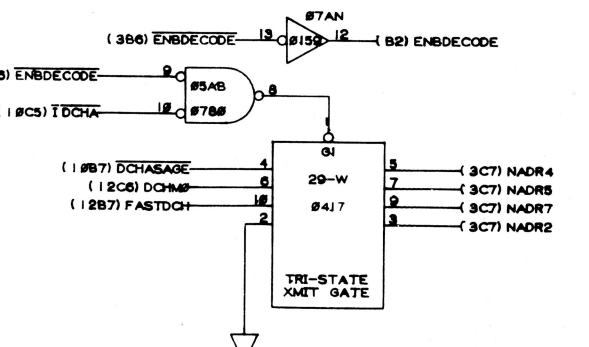
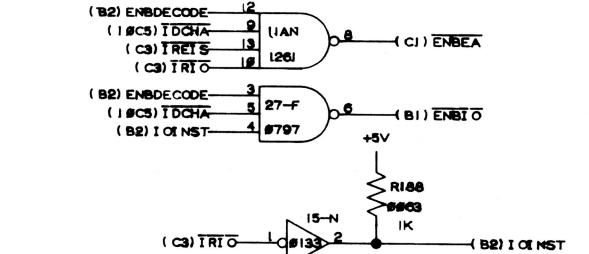
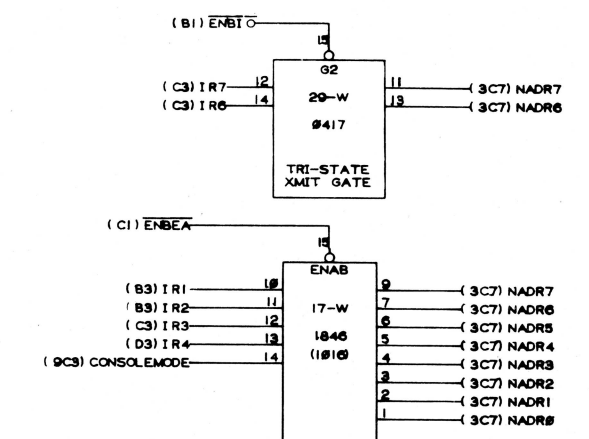
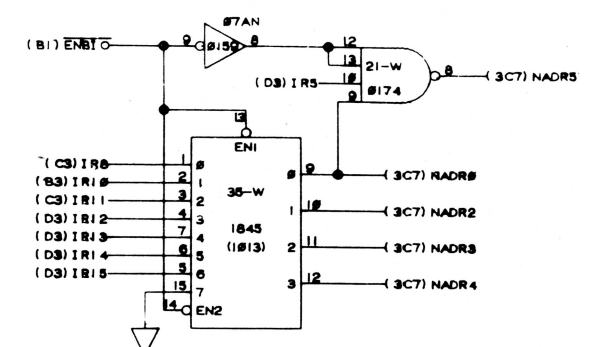
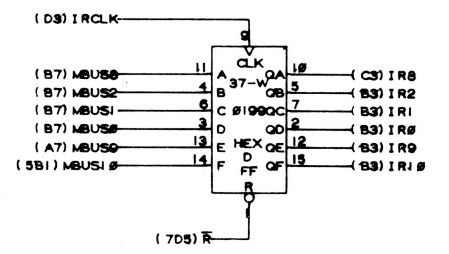
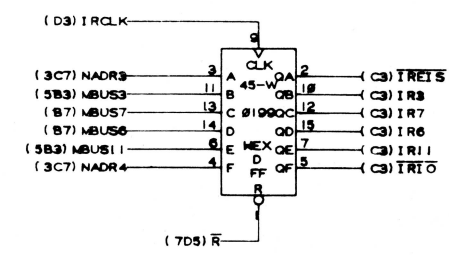
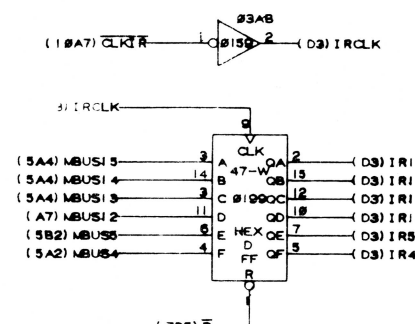
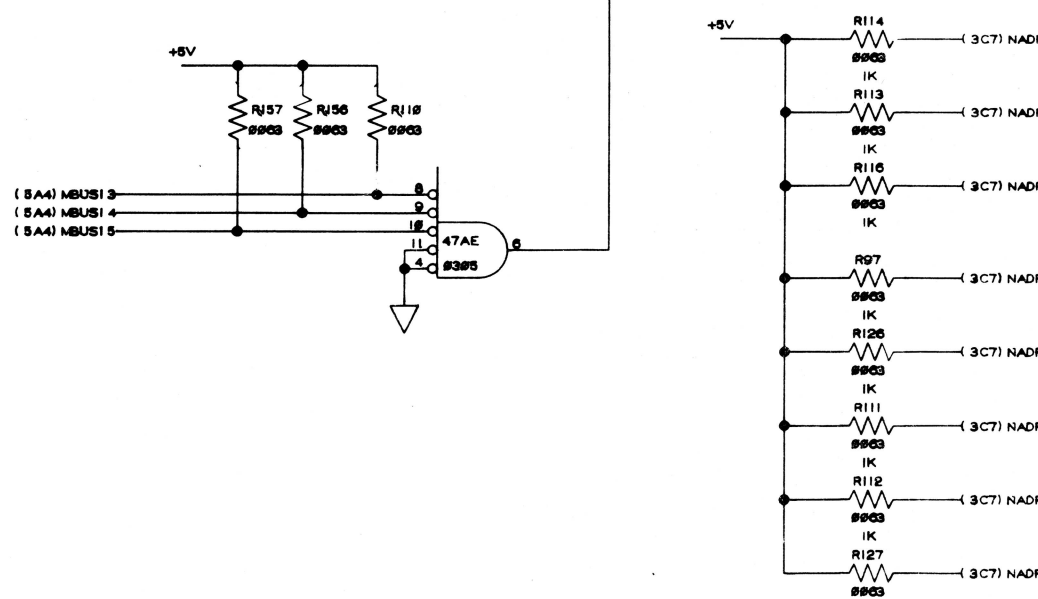
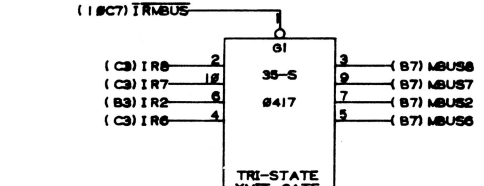
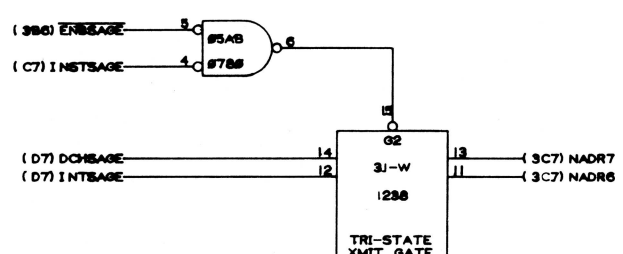
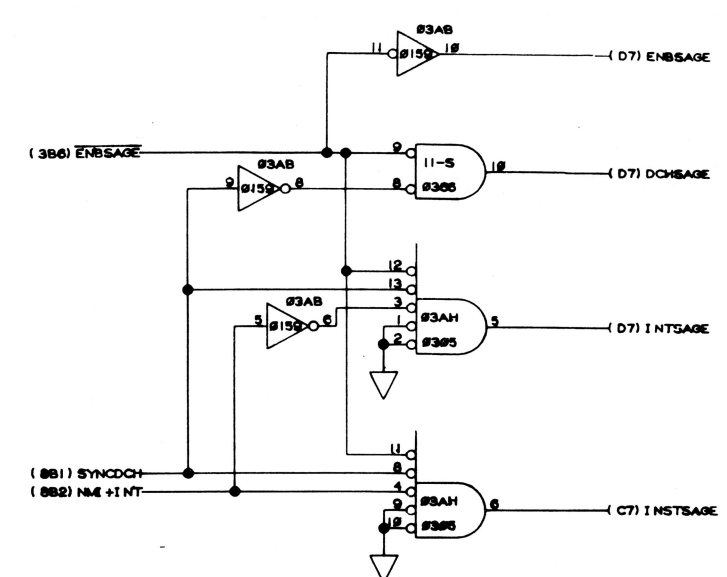
(CONTROL MEMORY, SEQUENCER)

| | | |
|---------------|--|--|
| DRAWN | | DATA GENERAL CORPORATION SOUTHBORO, MASSACHUSETTS 01772 TITLE NOVA 4/C SIZE CODE 001001600 REV 04 |
| CHECKED | | |
| ENGINEER | | |
| APPROVED | | |
| FIRST USED ON | | |

8 7 6 5 4 3 2 1 SHEET 3 of 12

THIS DRAWING AND SPECIFICATIONS HEREIN ARE THE PROPERTY OF DATA GENERAL CORPORATION AND SHALL NOT BE REPRODUCED OR COPIED OR USED IN WHOLE OR IN PART AS THE BASIS FOR MANUFACTURE OR SALE OF ITEMS WITHOUT WRITTEN PERMISSION

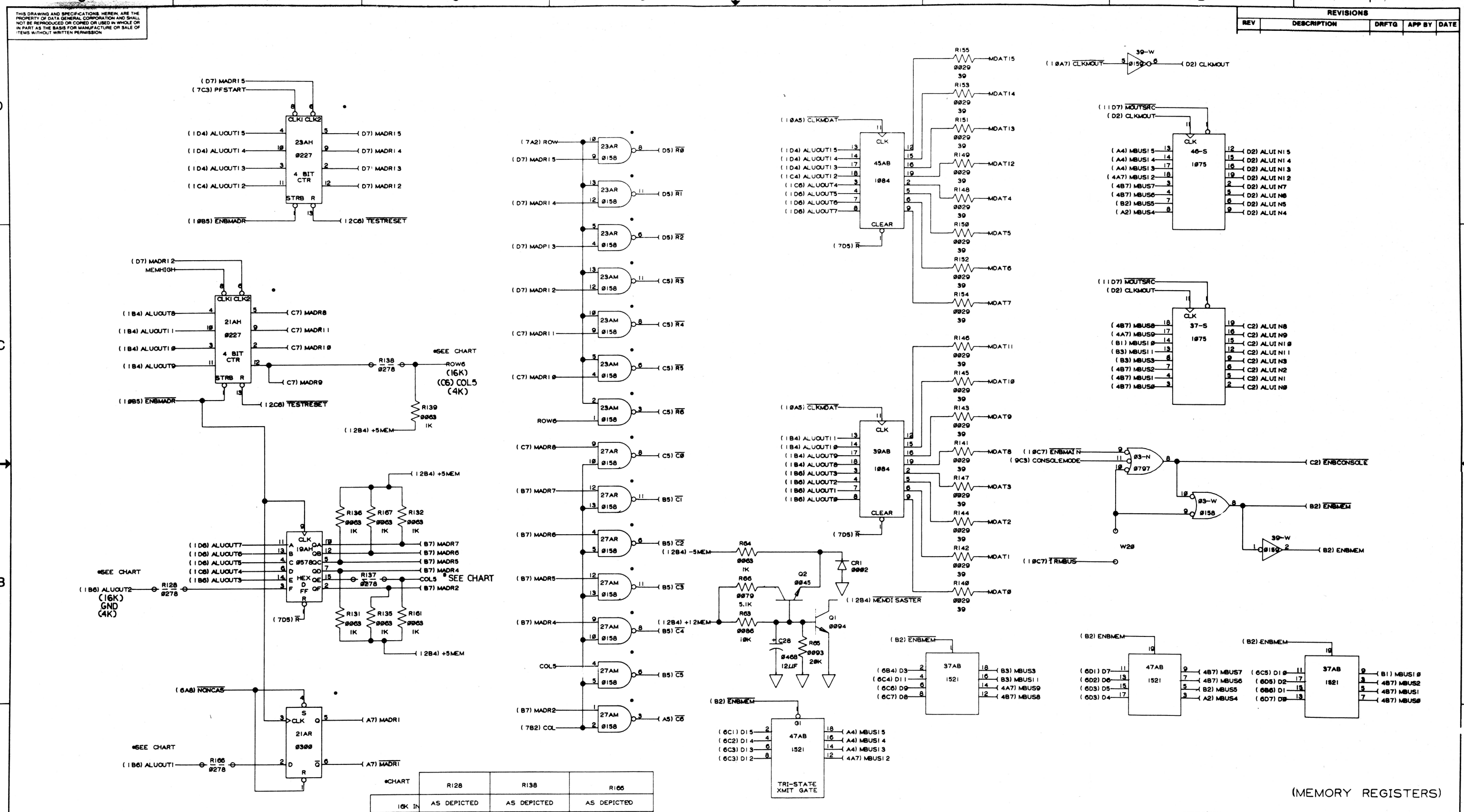
| REVISIONS | | | | |
|-----------|-------------|-------|-----|------|
| REV | DESCRIPTION | DRFTG | APP | DATE |
| | | | | |



(SAGE, DECODE, IR)

| | | |
|---------------|---|--|
| DRAWN | | DATA GENERAL CORPORATION SOUTH-BORO MASSACHUSETTS 01772 TITLE <h1>NOVA 4C</h1> |
| CHECKED | | |
| ENGINEER | | |
| APPROVED | | |
| FIRST USED ON | | |
| SIZE | D | CODE 001001600 DRAWING NUMBER 04 REV. 04 SHEET 4 OF 12 |

| REVISIONS | | | |
|-----------|-------------|-------|-------------|
| REV | DESCRIPTION | DRFTG | APP BY DATE |
| | | | |



THIS DRAWING AND SPECIFICATIONS HEREIN ARE THE PROPERTY OF DATA GENERAL CORPORATION AND SHALL NOT BE REPRODUCED OR COPIED OR USED IN WHOLE OR IN PART AS THE BASIS FOR MANUFACTURE OR SALE OF ITEMS WITHOUT WRITTEN PERMISSION.

| | R128 | R138 | R166 |
|--------|---------------------------------|--------------------------------------|--|
| 16K IN | AS DEPICTED | AS DEPICTED | AS DEPICTED |
| 4K IN | REPLACE SIGNAL ALUOUT2 WITH GND | REPLACE SIGNAL ROW6 WITH SIGNAL COL5 | REPLACE SIGNAL ALUOUT1 WITH SIGNAL ALUOUT3 |

| CHART | R137 |
|--------|-------------|
| 16K IN | AS DEPICTED |
| 4K IN | REMOVED |

NOTE
ALL ICs MARKED WITH AN ASTERISK (*) USE +5MEM ON POWER PIN.

DRAWN
CHECKED
ENGINEER
APPROVED
FIRST USED ON

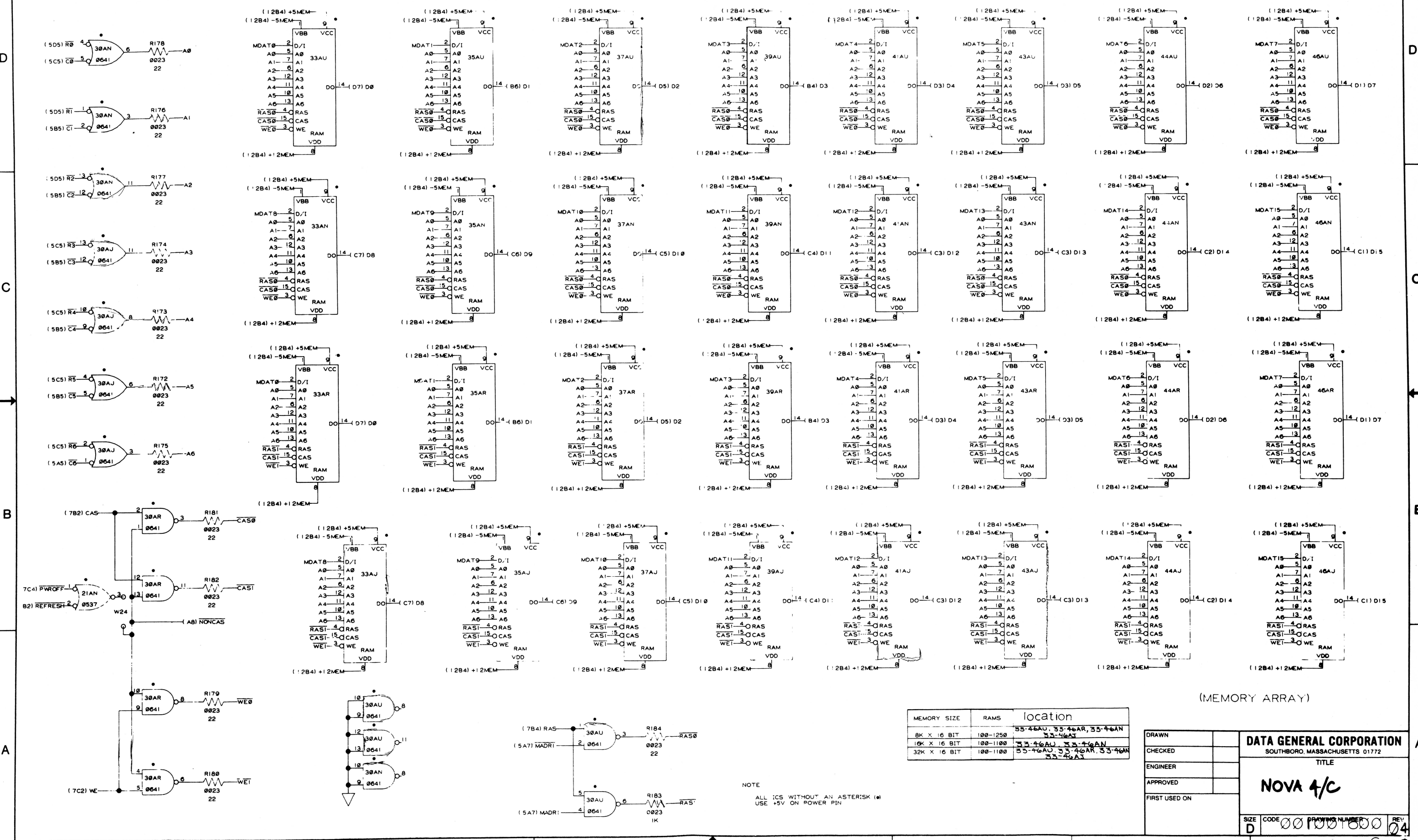
DATA GENERAL CORPORATION
SOUTHBORO, MASSACHUSETTS 01772

TITLE
NOVA 4C

SIZE: D CODE: 001001000 04 RE: 04

THIS DRAWING AND SPECIFICATIONS HEREIN ARE THE PROPERTY OF DATA GENERAL CORPORATION. NO PART HEREOF IS TO BE REPRODUCED OR COPIED OR USED IN WHOLE OR IN PART AS THE BASIS FOR MANUFACTURE OR SALE OF ITEMS WITHOUT WRITTEN PERMISSION.

| REVISIONS | | | |
|-----------|-------------|-------|-------------|
| REV | DESCRIPTION | DRFTG | APP BY DATE |
| | | | |



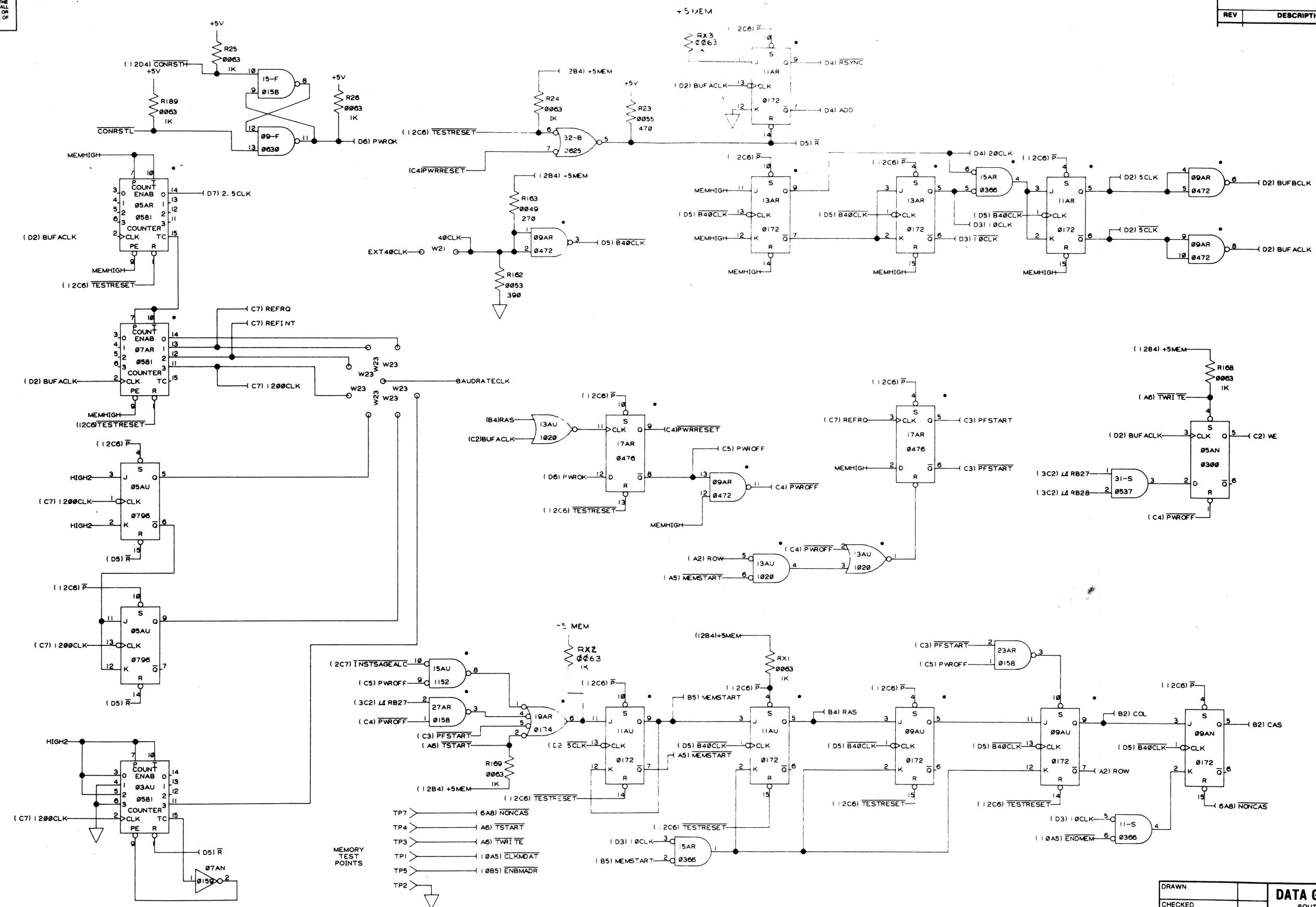
| MEMORY SIZE | RAMS | location |
|--------------|----------|---------------------------|
| 8K X 16 BIT | 100-1250 | 33-46AU, 33-46AR, 33-46AN |
| 16K X 16 BIT | 100-1100 | 33-46AU, 33-46AN |
| 32K X 16 BIT | 100-1100 | 33-46AU, 33-46AR, 33-46AN |

NOTE
ALL IC'S WITHOUT AN ASTERISK (*) USE +5V ON POWER PIN

| | | |
|---------------|--|---|
| DRAWN | | DATA GENERAL CORPORATION SOUTHBORO, MASSACHUSETTS 01772 TITLE <h1>NOVA 4/C</h1> |
| CHECKED | | |
| ENGINEER | | |
| APPROVED | | |
| FIRST USED ON | | SIZE CODE 00 DRAWING NUMBER 00000000 REV 04 SHEET 6 of 2 |

THIS DRAWING AND SPECIFICATIONS HEREIN ARE THE PROPERTY OF DATA GENERAL CORPORATION AND SHALL NOT BE REPRODUCED OR COPIED OR USED IN WHOLE OR IN PART AS THE BASIS FOR MANUFACTURE OR SALE OF ITEMS WITHOUT WRITTEN PERMISSION

| REVISIONS | | | |
|-----------|-------------|-------|-------------|
| REV | DESCRIPTION | DRFTG | APP BY DATE |
| | | | |



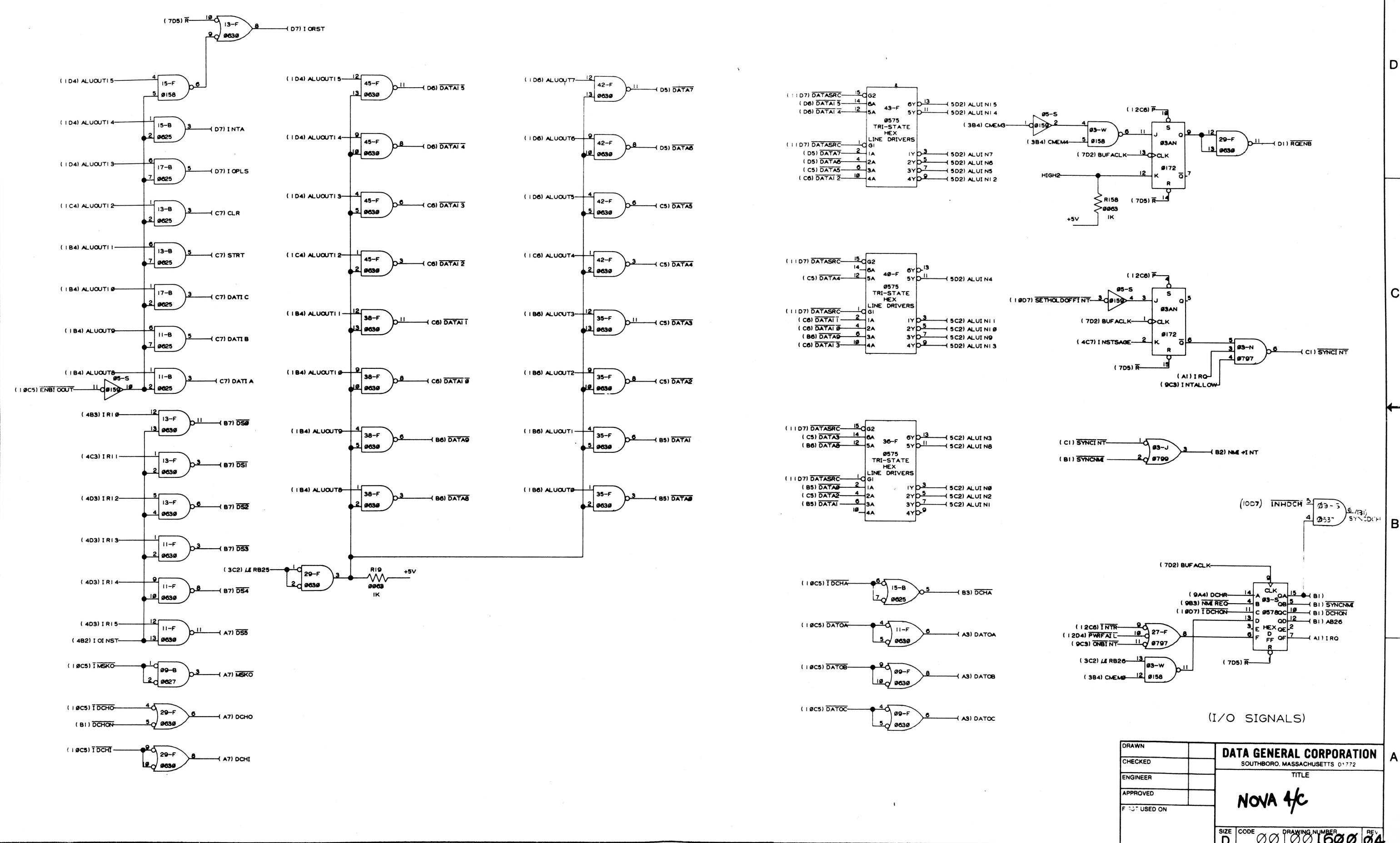
- MEMORY TEST POINTS
- TP7 -> (6A8) NONCAS
 - TP4 -> (A6) TSTART
 - TP3 -> (A6) TWRITE
 - TP1 -> (A5) CLKMDAT
 - TP5 -> (B5) ENBMADR
 - TP2 -> ()

(TIMING)

| | | | |
|---------------|--|---------------------------------|--------------|
| DRAWN | | DATA GENERAL CORPORATION | |
| CHECKED | | SOUTHBORO, MASSACHUSETTS 01772 | |
| ENGINEER | | TITLE | |
| APPROVED | | NOVA 4/C | |
| FIRST USED ON | | SIZE | CODE |
| | | D | 001001600 04 |

THIS DRAWING AND SPECIFICATIONS HEREIN ARE THE PROPERTY OF DATA GENERAL CORPORATION AND SHALL NOT BE REPRODUCED OR COPIED OR USED IN WHOLE OR IN PART AS THE BASIS FOR MANUFACTURE OR SALE OF ITEMS WITHOUT WRITTEN PERMISSION.

| REVISIONS | | | |
|-----------|-------------|-------|-------------|
| REV | DESCRIPTION | DRFTG | APP BY DATE |
| | | | |

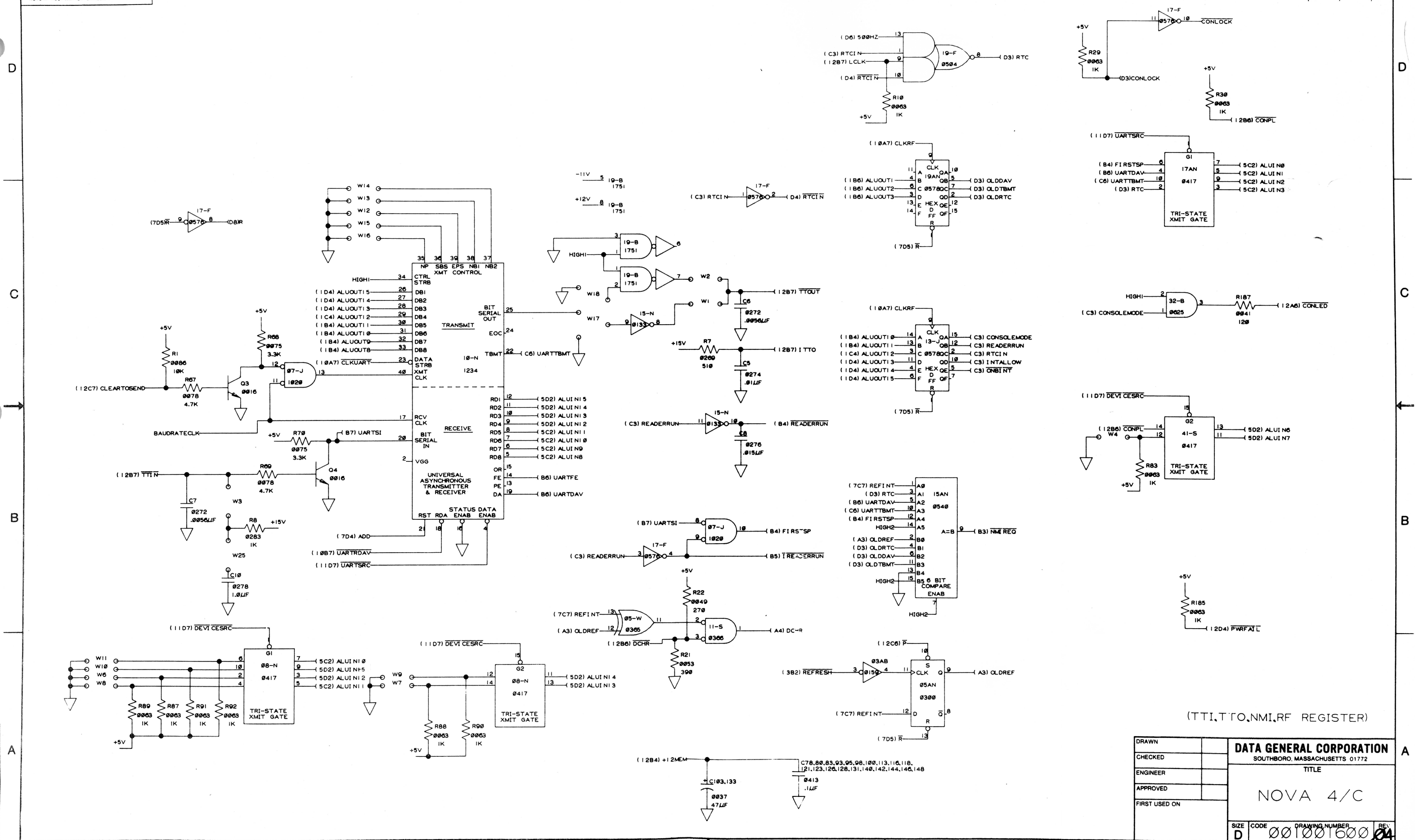


(I/O SIGNALS)

| | | | |
|---------------|---|---|----------------|
| DRAWN | | DATA GENERAL CORPORATION SOUTHBORO, MASSACHUSETTS 01772 TITLE <h1>NOVA 4/c</h1> | |
| CHECKED | | | |
| ENGINEER | | | |
| APPROVED | | | |
| FIRST USED ON | | | |
| SIZE | D | DRAWING NUMBER | 001001600 |
| | | REV | 04 |
| | | | 1 SHEET 8 of 2 |

THIS DRAWING AND SPECIFICATIONS HEREIN ARE THE PROPERTY OF DATA GENERAL CORPORATION AND SHALL NOT BE REPRODUCED OR COPIED OR USED IN WHOLE OR IN PART AS THE BASIS FOR MANUFACTURE OR SALE OF ITEMS WITHOUT WRITTEN PERMISSION

| REVISIONS | | | |
|-----------|-------------|-------|-------------|
| REV | DESCRIPTION | DRFTG | APP BY DATE |
| | | | |

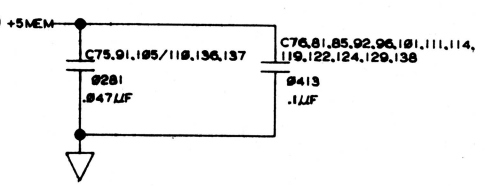
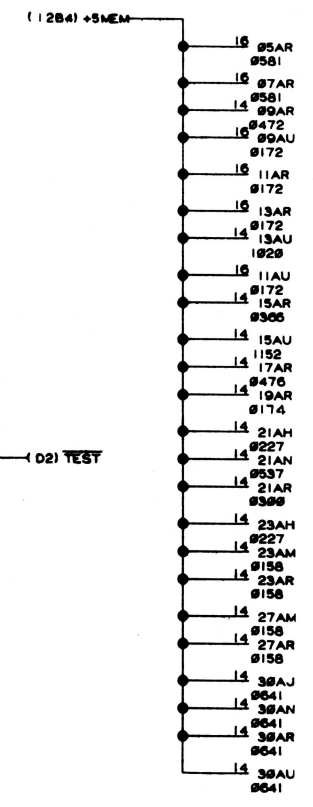
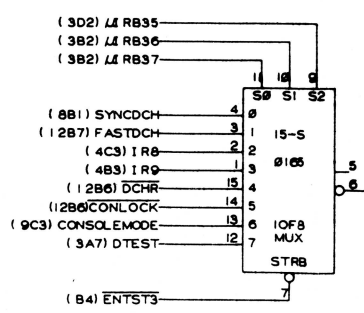
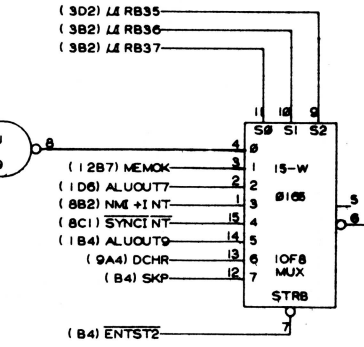
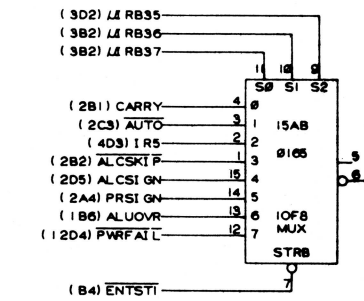
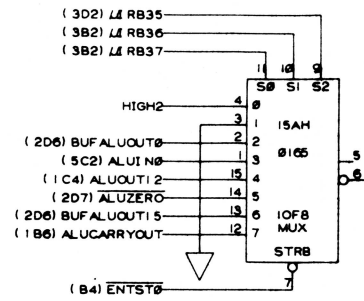
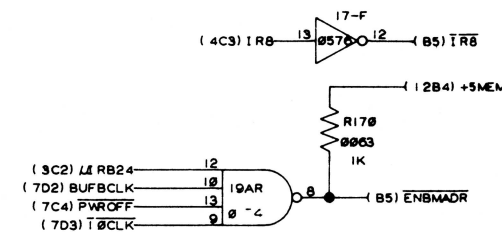
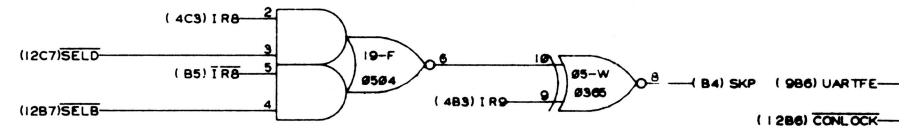
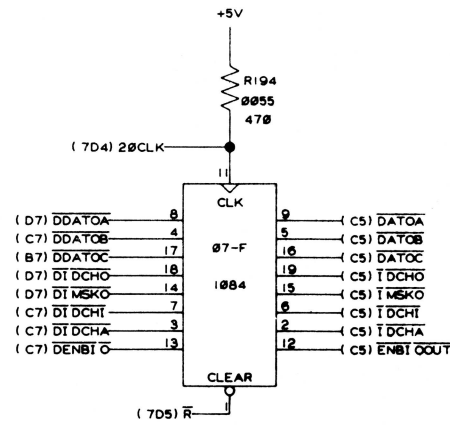
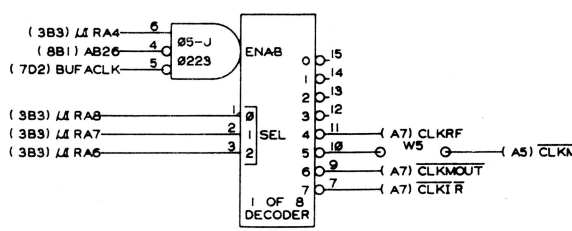
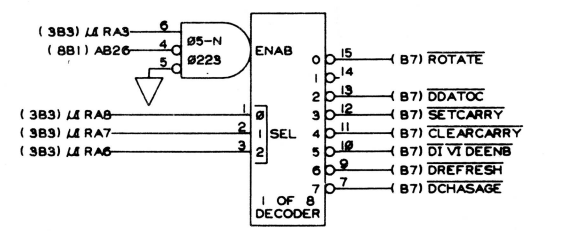
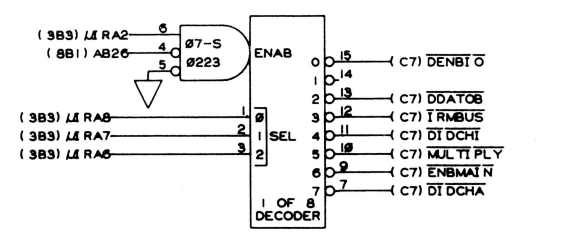
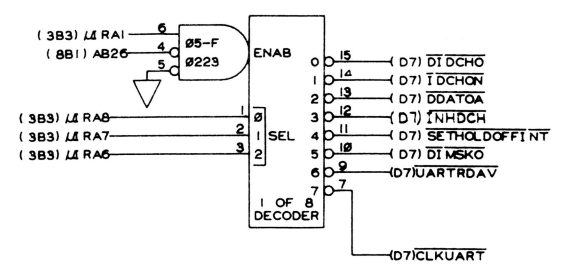


| | | |
|---------------|--|---|
| DRAWN | | DATA GENERAL CORPORATION SOUTHBORO, MASSACHUSETTS 01772 TITLE NOVA 4/C |
| CHECKED | | |
| ENGINEER | | |
| APPROVED | | |
| FIRST USED ON | | SIZE D CODE 001001600 REV 04 |

(TTI, T'FO, NMI, RF REGISTER)

THIS DRAWING AND SPECIFICATIONS HEREIN ARE THE PROPERTY OF DATA GENERAL CORPORATION AND SHALL NOT BE REPRODUCED OR COPIED OR USED IN WHOLE OR IN PART AS THE BASIS FOR MANUFACTURE OR SALE OF ITEMS WITHOUT WRITTEN PERMISSION

| REVISIONS | | | | |
|-----------|-------------|-------|--------|------|
| REV | DESCRIPTION | DRFTG | APP BY | DATE |
| | | | | |

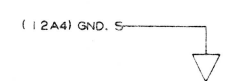
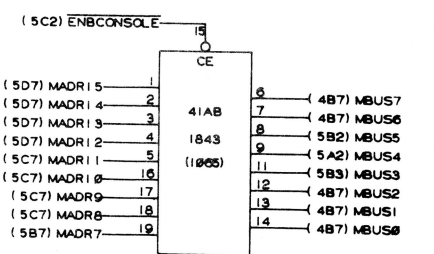
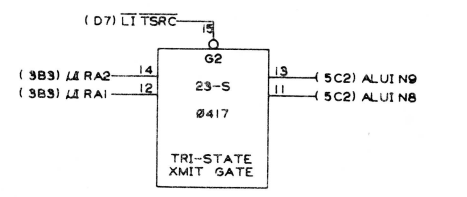
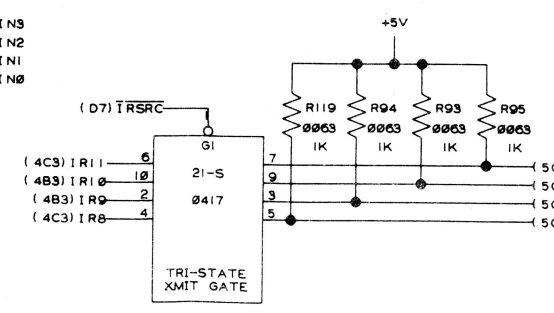
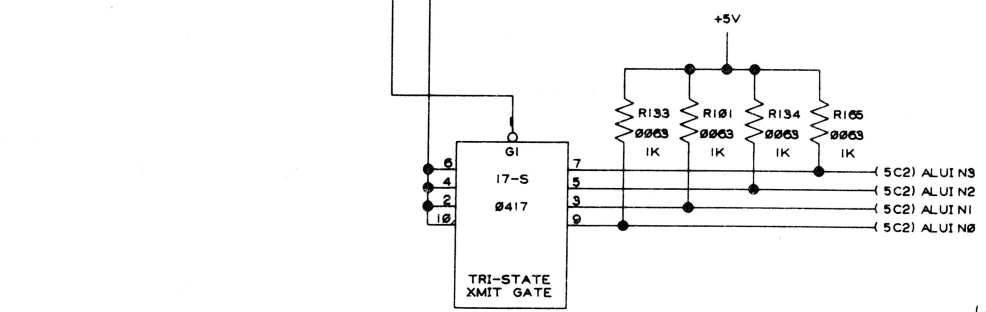
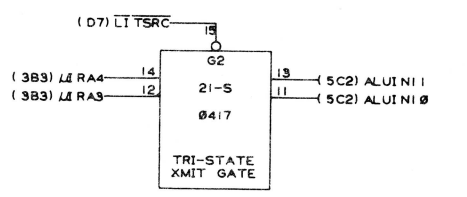
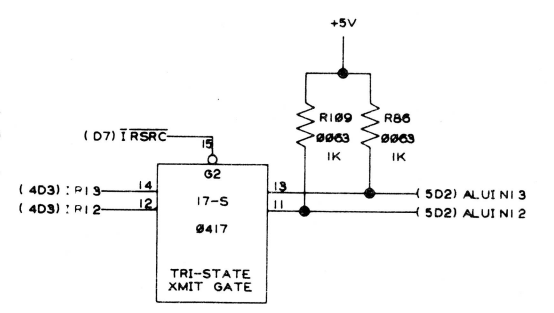
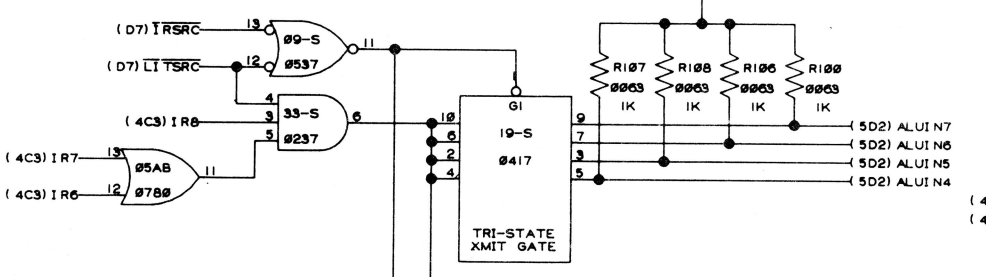
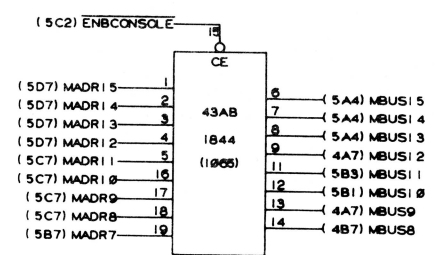
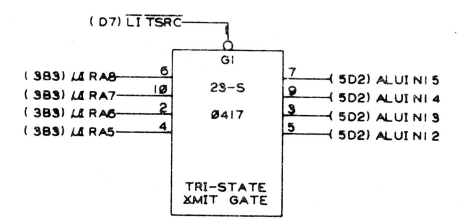
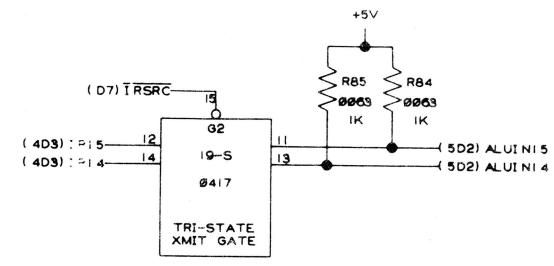
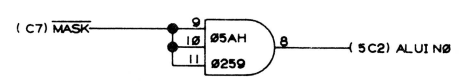
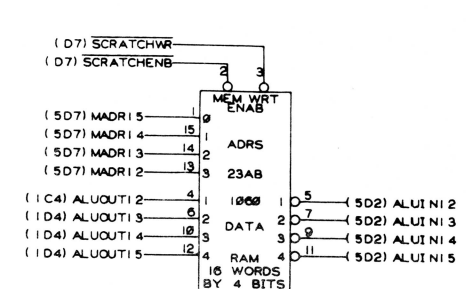
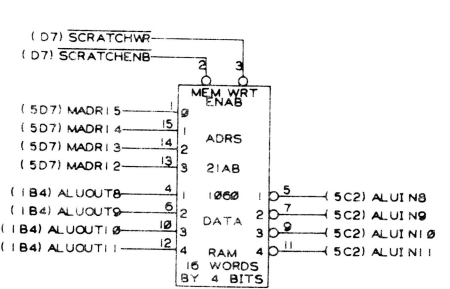
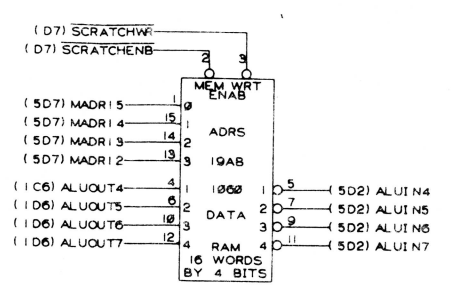
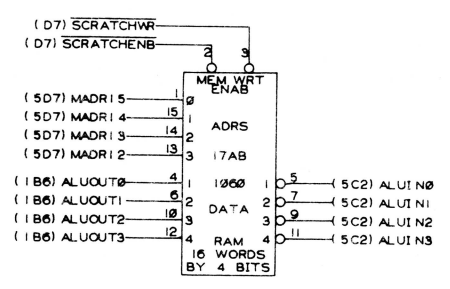
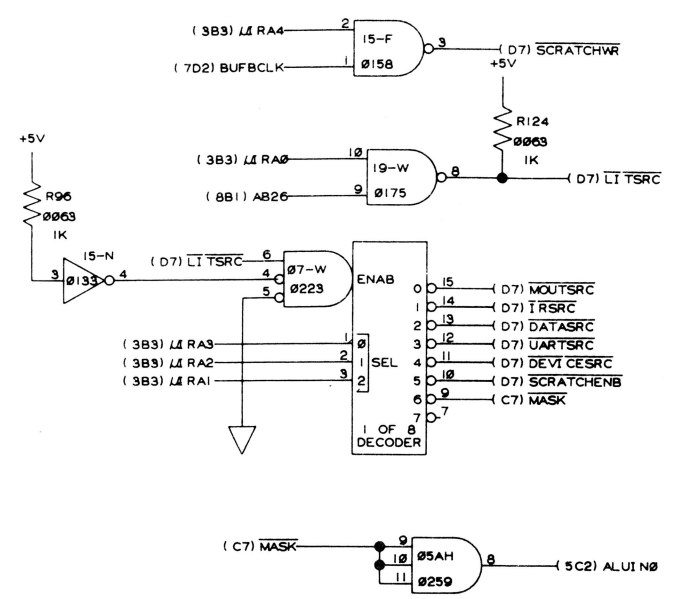


(RANDOM DECODERS, TEST MUX)

| | | |
|---------------|--|---|
| DRAWN | | DATA GENERAL CORPORATION SOUTHBORO, MASSACHUSETTS 01772 TITLE NOVA 4/c SIZE CODE DRAWING NUMBER REF D 001001600 04 |
| CHECKED | | |
| ENGINEER | | |
| APPROVED | | |
| FIRST USED ON | | |

THIS DRAWING AND SPECIFICATIONS HEREIN ARE THE PROPERTY OF DATA GENERAL CORPORATION AND SHALL NOT BE REPRODUCED OR COPIED OR USED IN WHOLE OR IN PART AS THE BASIS FOR MANUFACTURE OR SALE OF ITEMS WITHOUT WRITTEN PERMISSION

| REVISIONS | | | | |
|-----------|-------------|-------|--------|------|
| REV | DESCRIPTION | DRFTG | APP BY | DATE |
| | | | | |



(SOURCE DECODERS, BUFFERS)

| | | | | | |
|---------------|---|---|-----------|-----|----|
| DRAWN | | DATA GENERAL CORPORATION SOUTHBORO, MASSACHUSETTS 01772 TITLE NOVA 4/C | | | |
| CHECKED | | | | | |
| ENGINEER | | | | | |
| APPROVED | | | | | |
| FIRST USED ON | | | | | |
| SIZE | D | DRAWING NUMBER | 001001600 | REV | 04 |

THIS DRAWING AND SPECIFICATIONS HEREIN ARE THE PROPERTY OF DATA GENERAL CORPORATION AND SHALL NOT BE REPRODUCED OR COPIED OR USED IN WHOLE OR IN PART AS THE BASIS FOR MANUFACTURE OR SALE OF ITEMS WITHOUT WRITTEN PERMISSION.

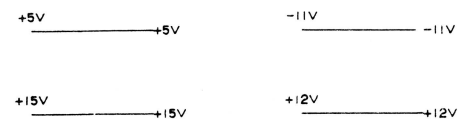
| REV | DESCRIPTION | DRFTG | APP BY | DATE |
|-----|-------------|-------|--------|------|
| 3 | | | | |

A001 O (A4) GND. S
A002 O (A4) GND. S
A003 O (B4) +5V
A004 O (B4) +5V
A005 O
A006 O
A007 O
A008 O
A009 O
A010 O (D8) +15V
A011 O
A012 O
A013 O
A014 O
A015 O
A016 O
A017 O
A018 O
A019 O
A020 O
A021 O
A022 O
A023 O
A024 O
A025 O
A026 O
A027 O
A028 O
A029 O
A030 O
A031 O
A032 O
A033 O
A034 O
A035 O
A036 O (B8)EXTA@CLK
A037 O
A038 O (B4) MSKO
A039 O
A040 O (B0) INTA
A041 O
A042 O (B0) DATI B
A043 O
A044 O (B0) DATI A
A045 O
A046 O (B0) DSS
A047 O
A048 O (B0) DATOC
A049 O
A050 O (B0) CLR

A051 O
A052 O (B0) STRT
A053 O
A054 O (B0) DATI C
A055 O
A056 O (B0) DATOB
A057 O
A058 O (B0) DATOA
A059 O
A060 O (B0) DCHA
A061 O
A062 O (B0) DS4
A063 O
A064 O (B0) DS5
A065 O
A066 O (B0) DS2
A067 O
A068 O (B0) DS1
A069 O
A070 O (B0) I CRST
A071 O
A072 O (B0) DS0
A073 O
A074 O (B0) I OPLS
A075 O
A076 O
A077 O
A078 O
A079 O
A080 O (C0) SELD
A081 O (C0) CLEAROSEND
A082 O (B0) SELB
A083 O (B0) ITTO
A084 O
A085 O (B0) TTOUT
A086 O
A087 O
A088 O (B0) LCLK
A089 O (B0) READERRUN
A090 O (B0) 500HZ
A091 O
A092 O
A093 O
A094 O (B0) TTIN
A095 O (B0) FASTDCH
A096 O (B0) MEMCK
A097 O (B4) +5V
A098 O (B4) +5V
A099 O (A4) GND. S
A100 O (A4) GND. S

B001 O (A4) GND. S
B002 O (A4) GND. S
B003 O (B4) +5V
B004 O (B4) +5V
B005 O
B006 O
B007 O
B008 O
B009 O
B010 O
B011 O
B012 O
B013 O
B014 O
B015 O
B016 O
B017 O (C0) DCHM0
B018 O
B019 O
B020 O
B021 O
B022 O
B023 O (C0) TESTRESET
B024 O
B025 O (C0) F
B026 O
B027 O
B028 O
B029 O (C0) INTR
B030 O
B031 O
B032 O
B033 O (B0) DCHO
B034 O
B035 O (B0) DCHR
B036 O
B037 O (B0) DCHI
B038 O
B039 O
B040 O (B0) CONLOCK
B041 O (B0) ROENB
B042 O
B043 O
B044 O
B045 O
B046 O
B047 O
B048 O (B0) CONPL
B049 O (A0) CONLED
B050 O

B051 O (D4) CONRSTH
B052 O (D4) CONRSTL
B053 O
B054 O (D4) PWRFAI L
B055 O (B0) DATA7
B056 O (B0) DATA4
B057 O (B0) DATA5
B058 O (B0) DATA1
B059 O (B0) DATA2
B060 O (B0) DATA8
B061 O (B0) DATA4
B062 O (B0) DATA8
B063 O (B0) DATA9
B064 O (B0) DATA3
B065 O (B0) DATA1
B066 O (B0) DATA5
B067 O
B068 O
B069 O
B070 O (B4) +12MEM
B071 O (B4) +12MEM
B072 O (B4) +12MEM
B073 O (B0) DATA3
B074 O
B075 O (B0) DATA8
B076 O
B077 O (C7) -11V
B078 O (D0)PWROK
B079 O
B080 O
B081 O
B082 O (B0) DATA2
B083 O
B084 O
B085 O
B086 O
B087 O (B4) +12V
B088 O (B4) +12V
B089 O
B090 O (B4) +12V
B091 O (B4) -5MEM
B092 O
B093 O (B4) +5MEM
B094 O (B4) +5MEM
B095 O (B0) DATA8
B096 O (B4) MEMDI SASTER
B097 O (B4) +5V
B098 O (B4) +5V
B099 O (A4) GND. S
B100 O (A4) GND. S



| | | | |
|---------------|---|---|--------------|
| DRAWN | | DATA GENERAL CORPORATION SOUTHBORO, MASSACHUSETTS 01772 TITLE NOVA 4/c | |
| CHECKED | | | |
| ENGINEER | | | |
| APPROVED | | | |
| FIRST USED ON | | | |
| SIZE | D | DRAWING NUMBER | 001001600004 |